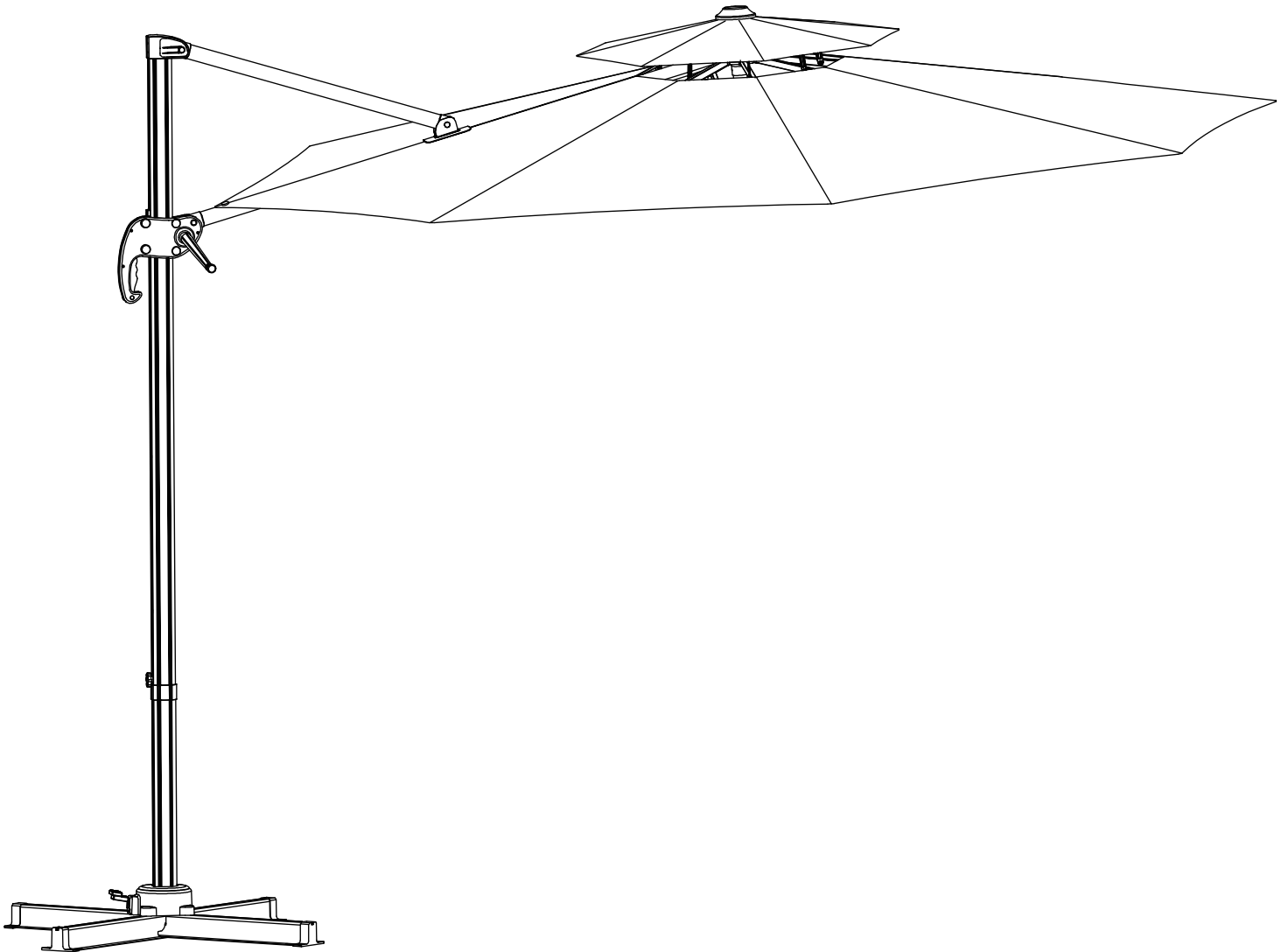


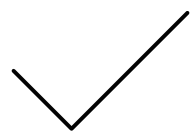
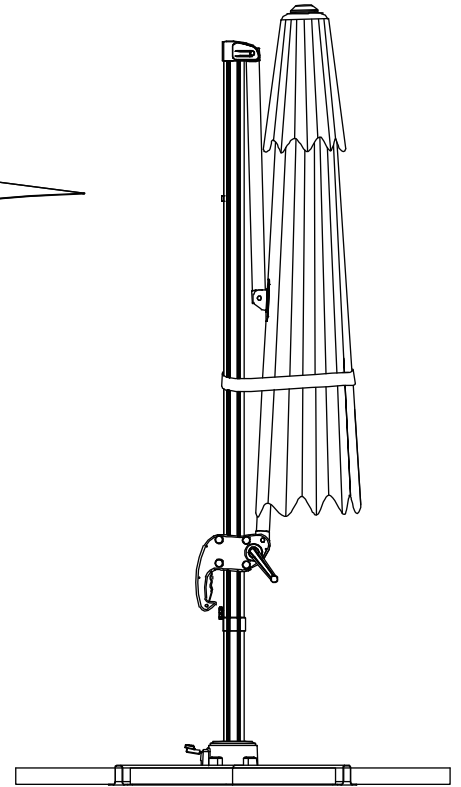
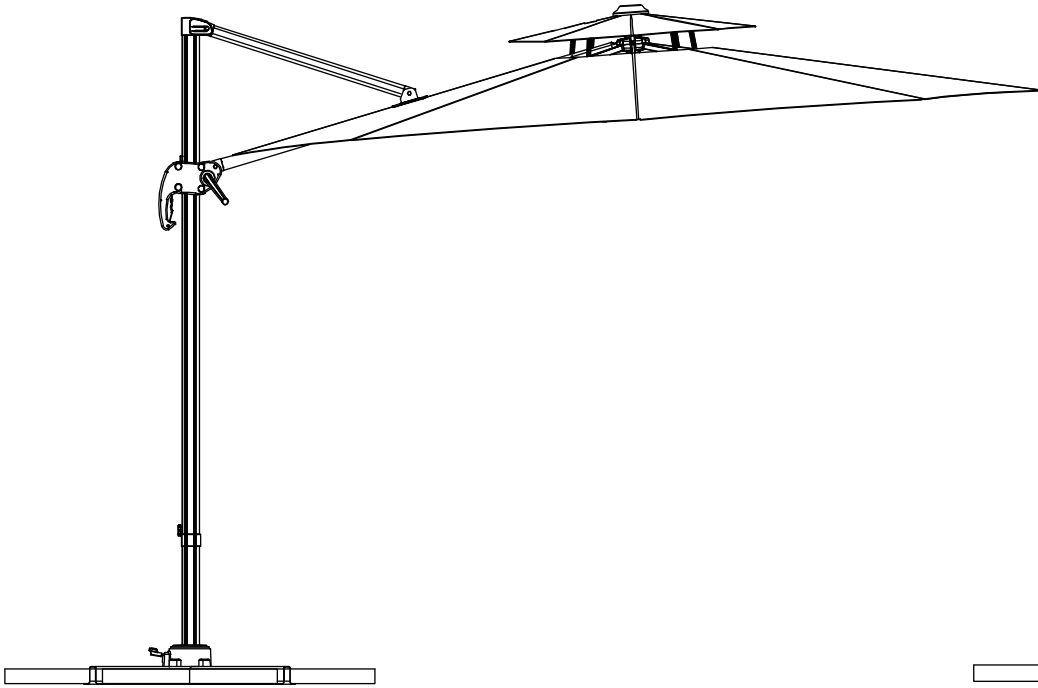
Instruction of Patio Umbrella

SKU:OV-OTU061



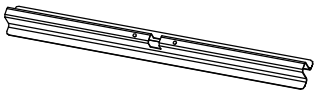
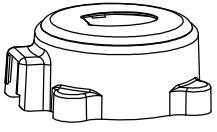
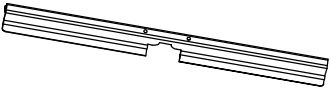

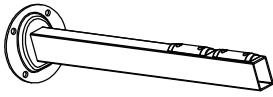
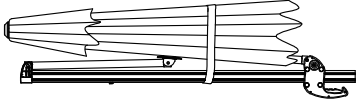
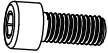


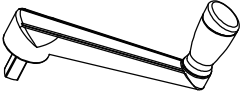




Warning: To extend the service life of the product, please do not use it in extreme weather conditions.



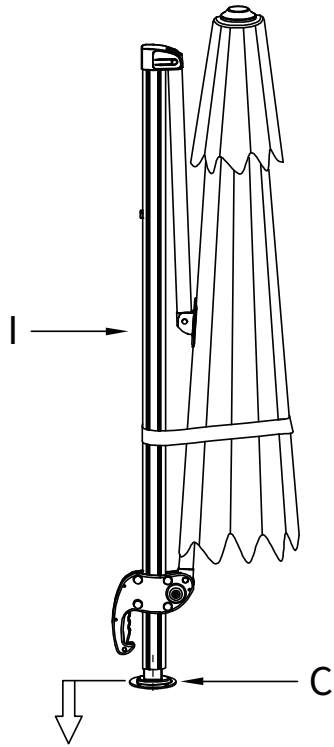
Contact email:service-outdoor@hotmail.com

PACKING LIST

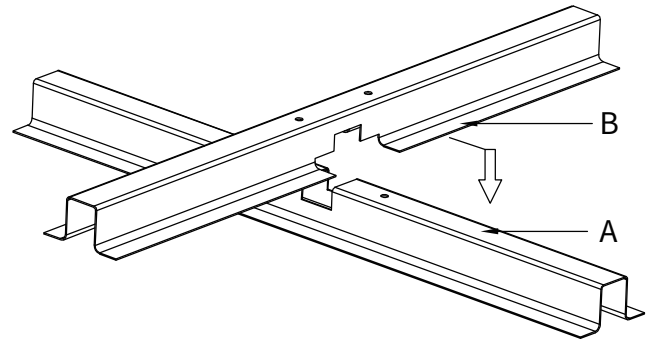
A	1		G	1	
B	1		H	1	
C	1		I	1	
D	8		J	1	
E	8		K	1	
F	1		L	1	

Install The Umbrella Base

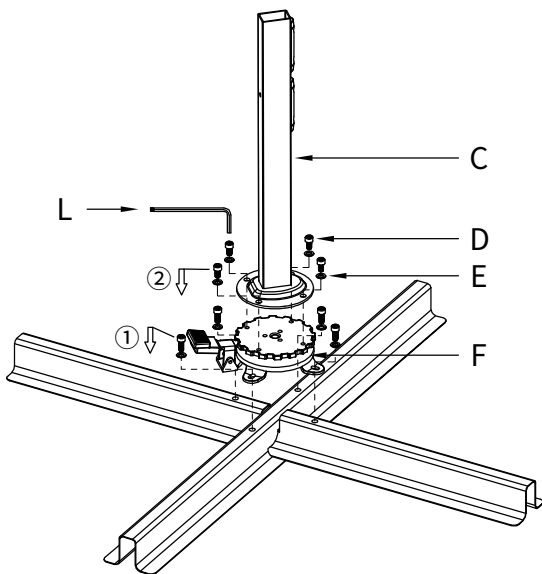
01:



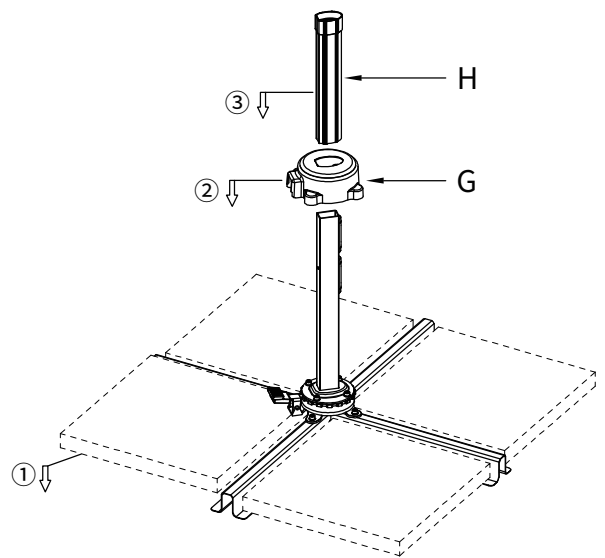
02:



03:

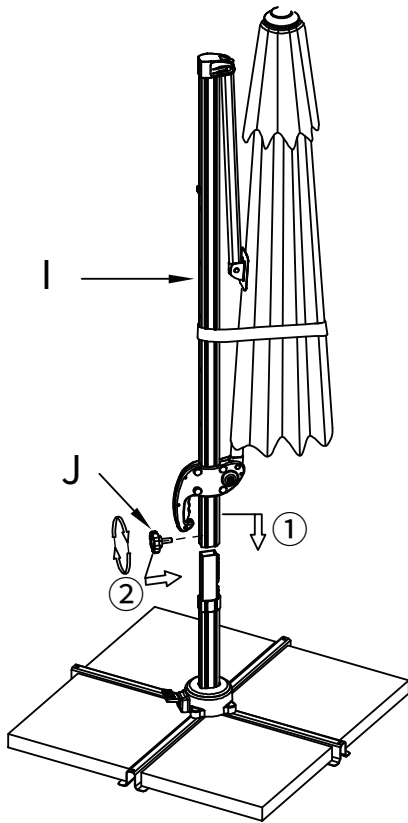


04:

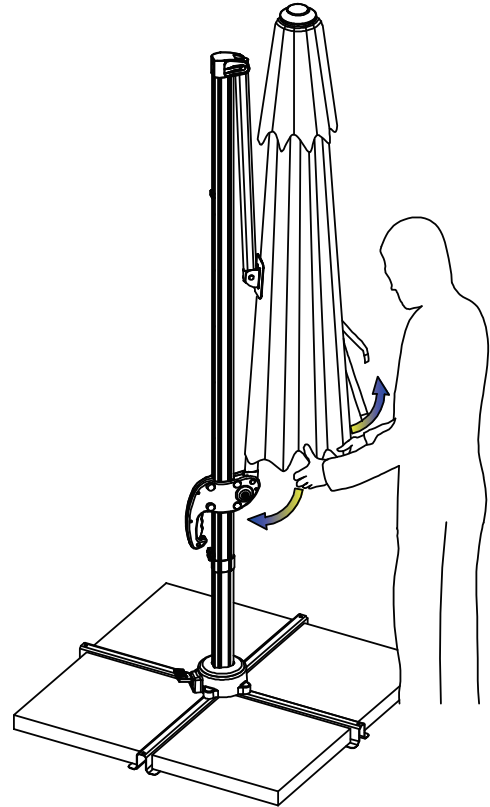


Install The Patio Umbrella-1

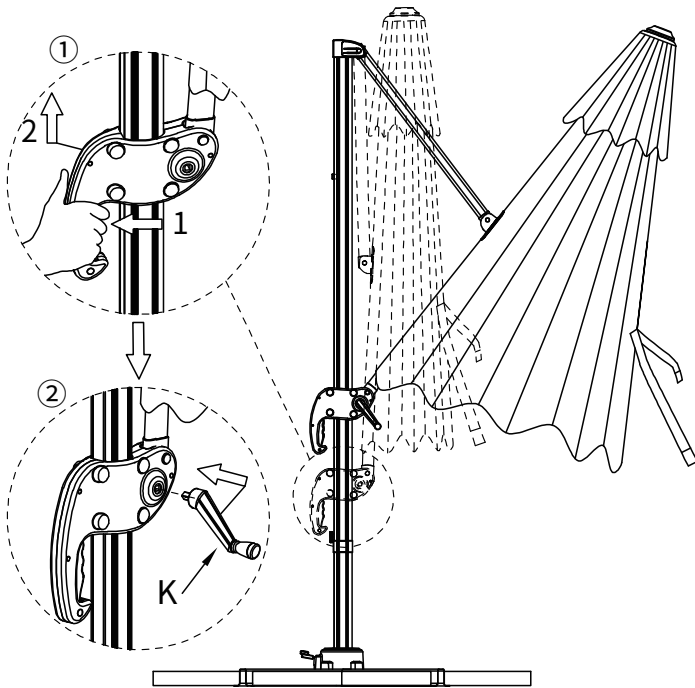
01:



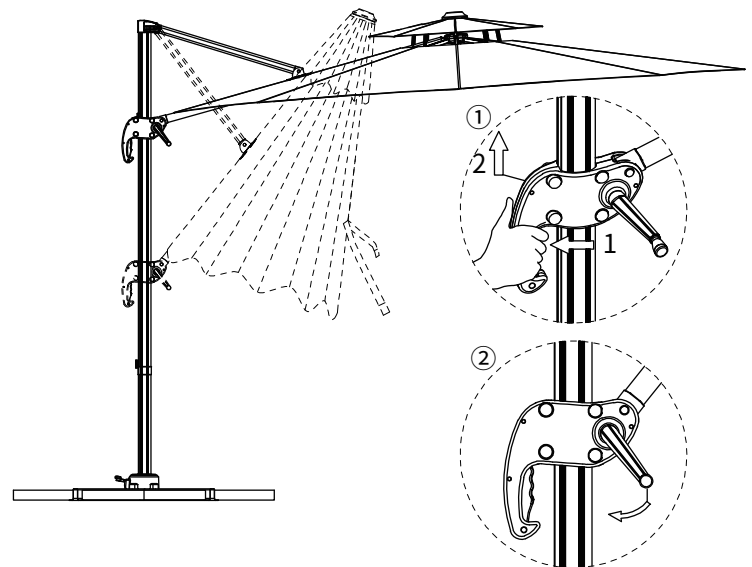
02:



03:

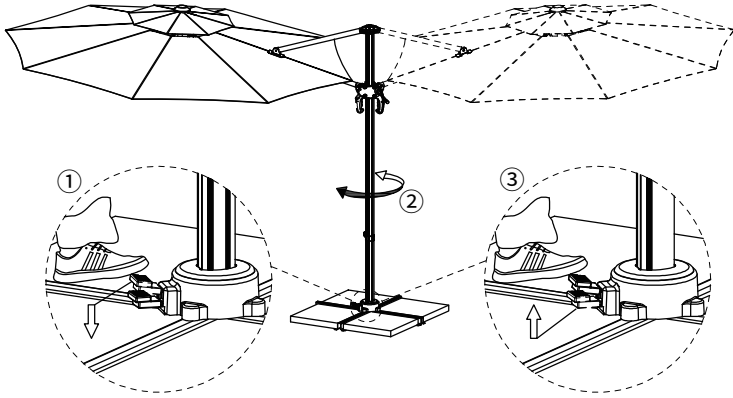


04:



Install The Patio Umbrella-2

05:



06:

