

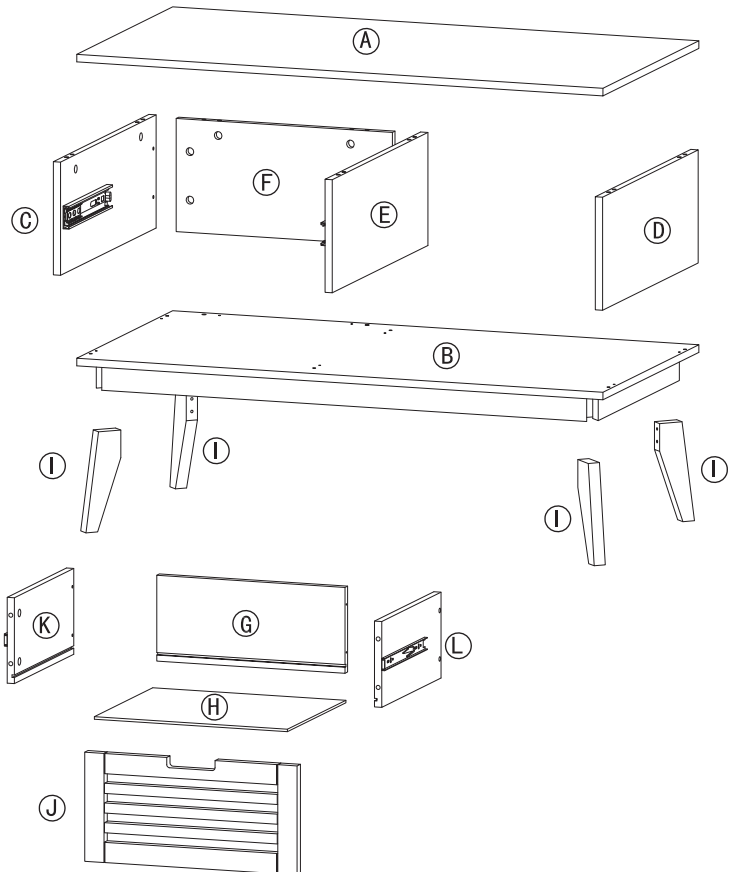
ASSEMBLY INSTRUCTION

Thank you for purchasing the quality product. Be sure to check all packing material carefully for small parts which may have come loose inside the carton during shipment. Separate, identify and count all parts and metal hardware. Compare with all parts list to be sure all parts are present. If any part(s) are missing or damaged, please contact your local furniture dealer. For efficient and speedy service, please indicate the model number and code letter of part(s) needed.

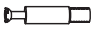





Do not fully tighten screws until fully assembled

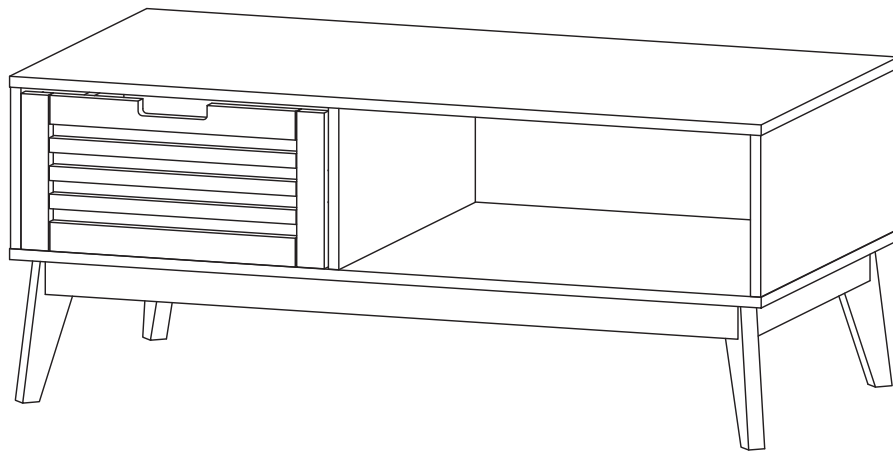
COMPONENT PARTS

- (A) Top panel -- 1pc
- (B) Bottom panel -- 1pc
- (C) Left panel -- 1pc
- (D) Right panel -- 1pc
- (E) Middle panel -- 1pc
- (F) Back panel -- 1pc
- (G) Drawer Back Panel -- 1pc
- (H) Drawer Bottom Panel -- 1pc
- (I) Legs -- 4 pcs
- (J) Drawer Right side Panel -- 1pc
- (K) Drawer Left side Panel -- 1pc
- (L) Drawer Right side Panel -- 1pc



HARDWARE REQUIRED

- | | | | | |
|---|---|-------------------|--------|--------|
| ① |  | Cam bolt | ∅6*35 | 16pcs |
| ② |  | Cam lock | ∅15*11 | 16pcs |
| ③ |  | Wooden dowel | ∅8*30 | 16pcs |
| ④ |  | Screw | ∅4*30 | 12pcs |
| ⑤ |  | bolts and washers | | 8 stes |
| ⑥ |  | Allen key | | 1pc |

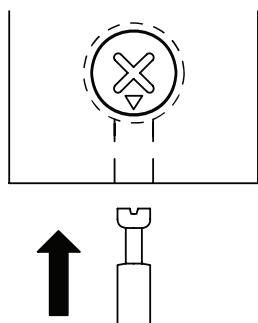


Attention:

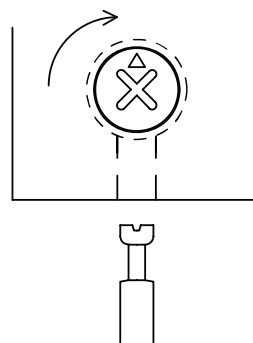
*** Some number parts listed on the instruction sheet may not be in parts bag as they may already be assembled. Carefully check parts and packing materials prior to ordering replacements.

CAM LOCK SYSTEM

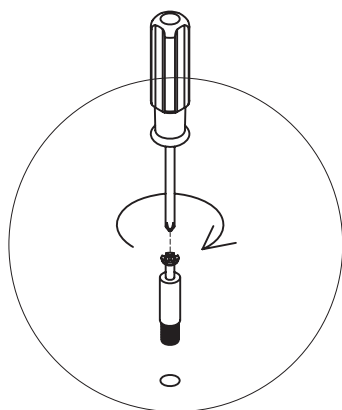
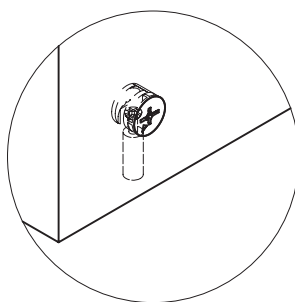
(1)



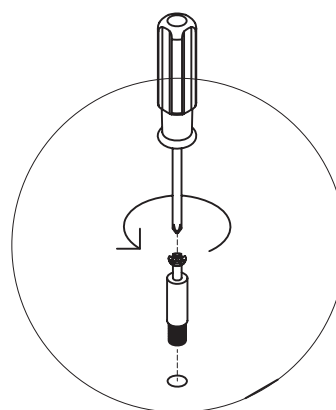
(2)



IMPORTANT NOTE--CAM LOCK ADJUSTMENT



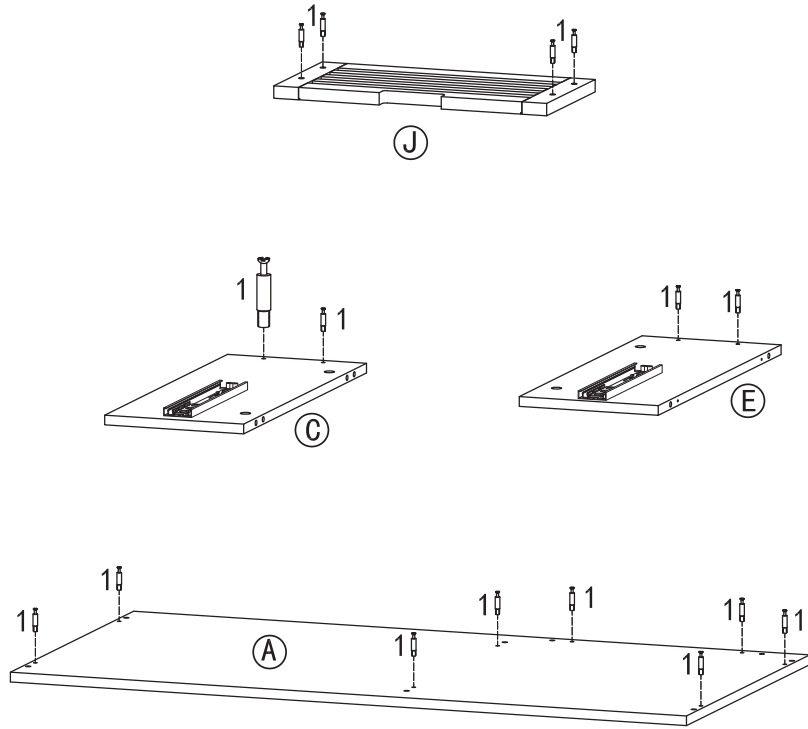
If Cam Lock
is too loose,
Please adjust Metal
Dowel to turn right
as drawing.



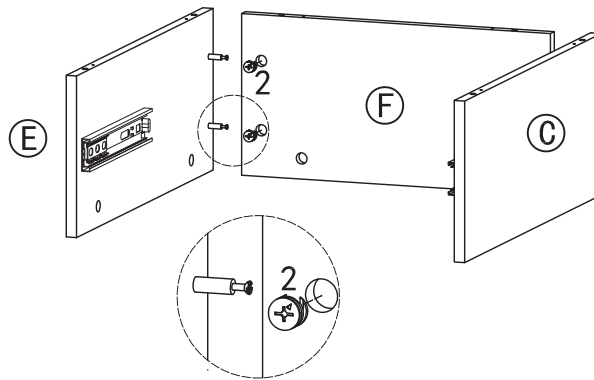
If Cam Lock
is too tight,
Please adjust Metal
Dowel to turn left
as drawing.

How to assemble:

Step 1

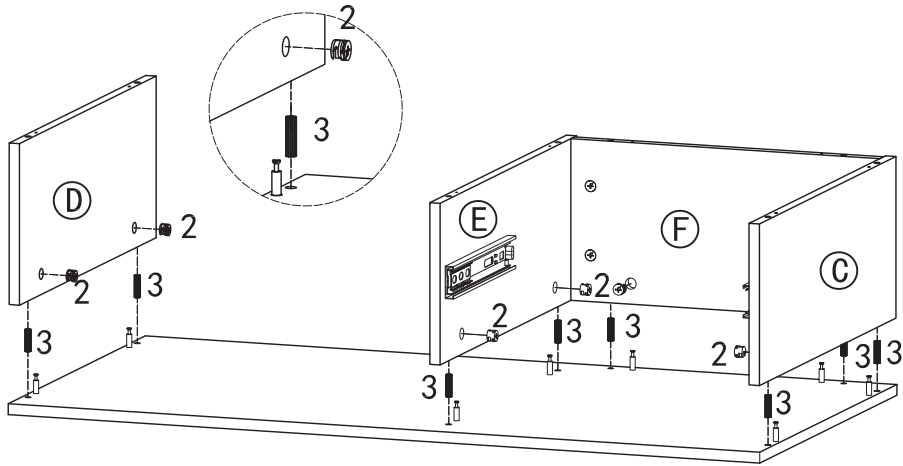


Step 2

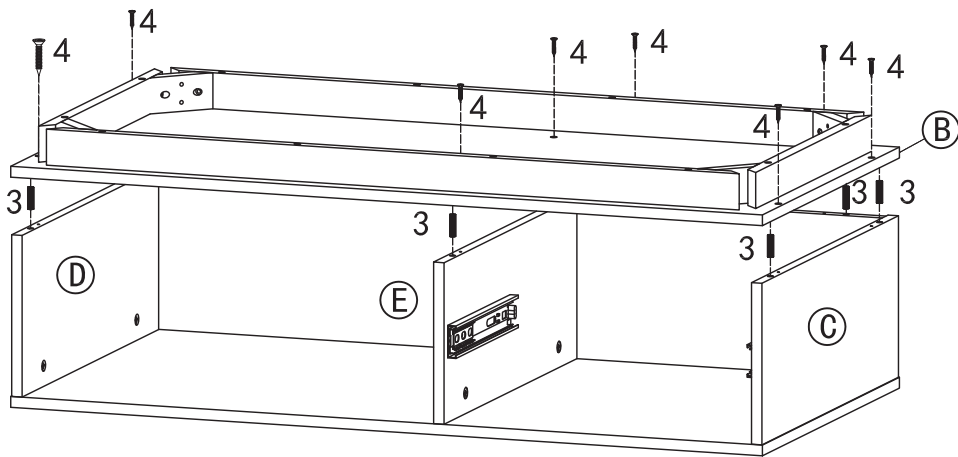


How to assemble:

Step 3

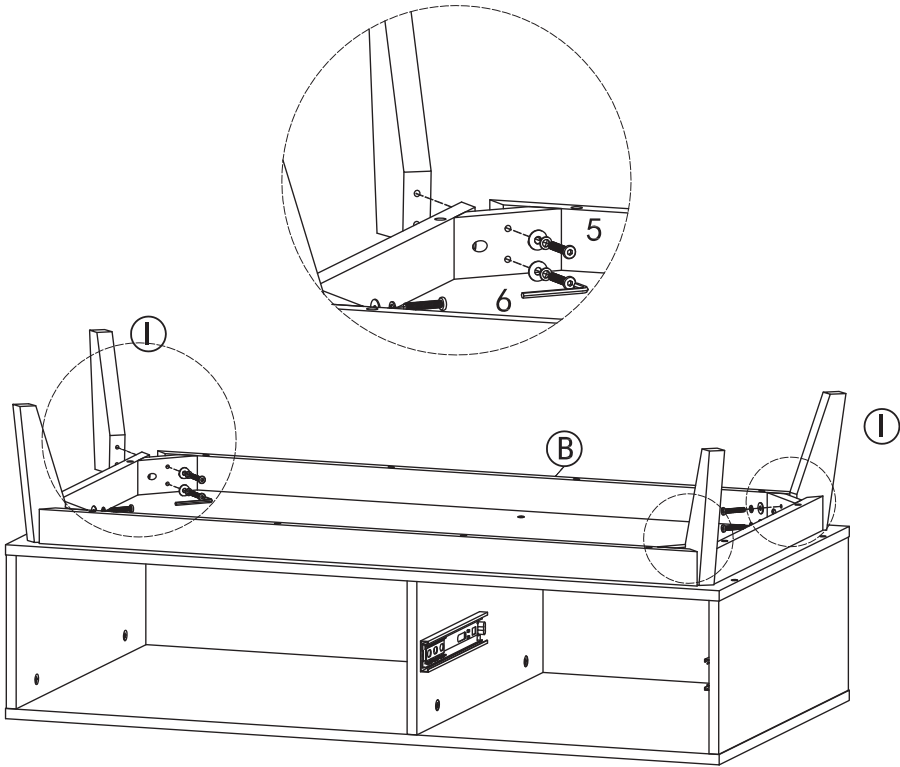


Step 4

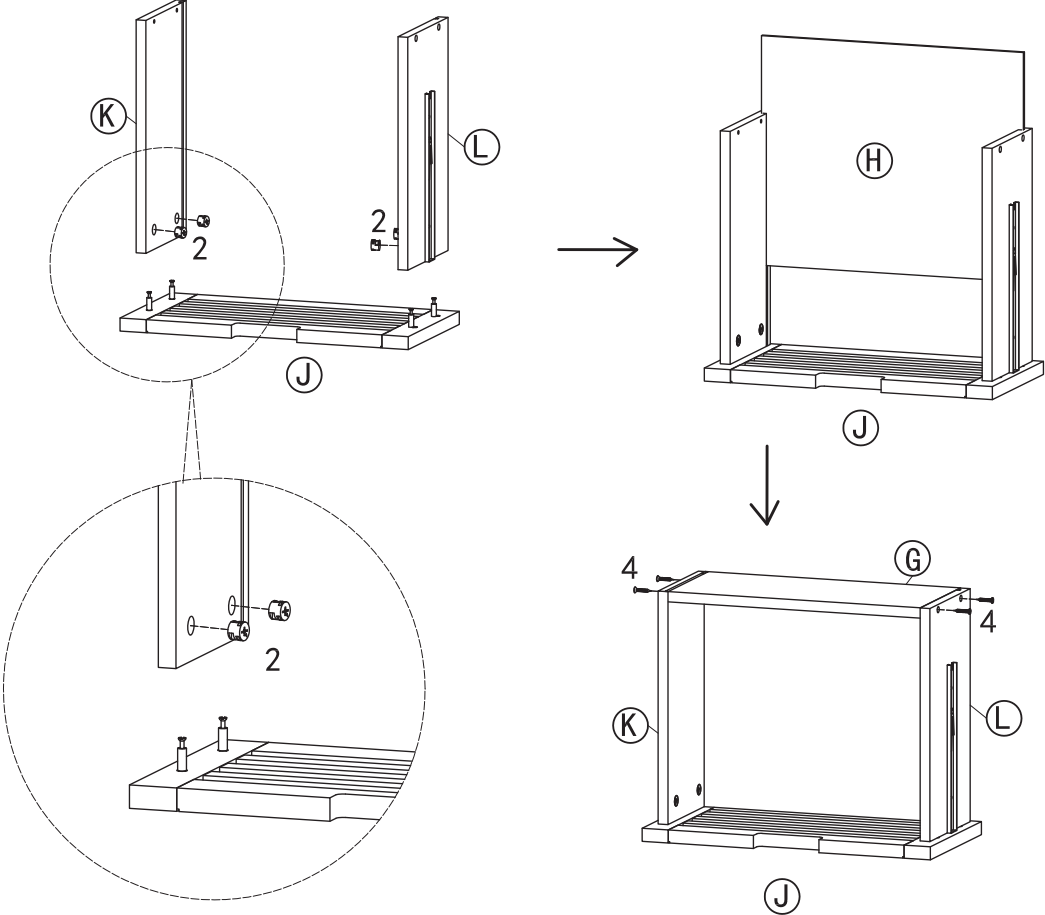


How to assemble:

Step 5

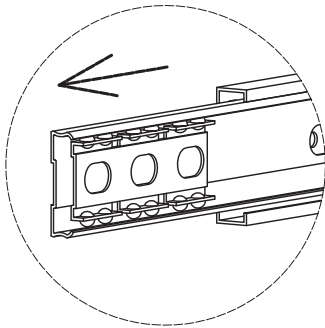
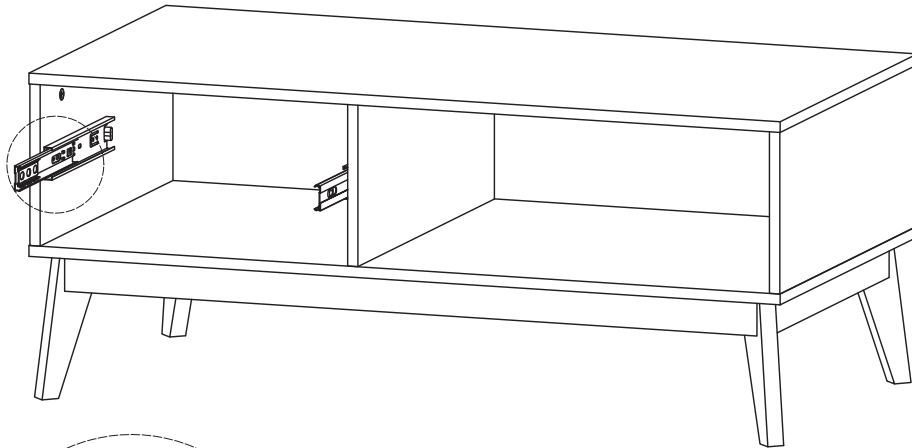


Step 6

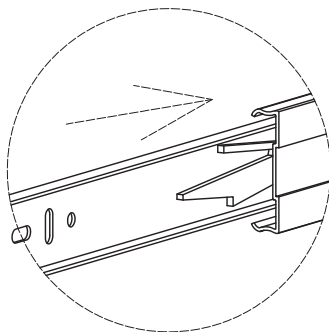
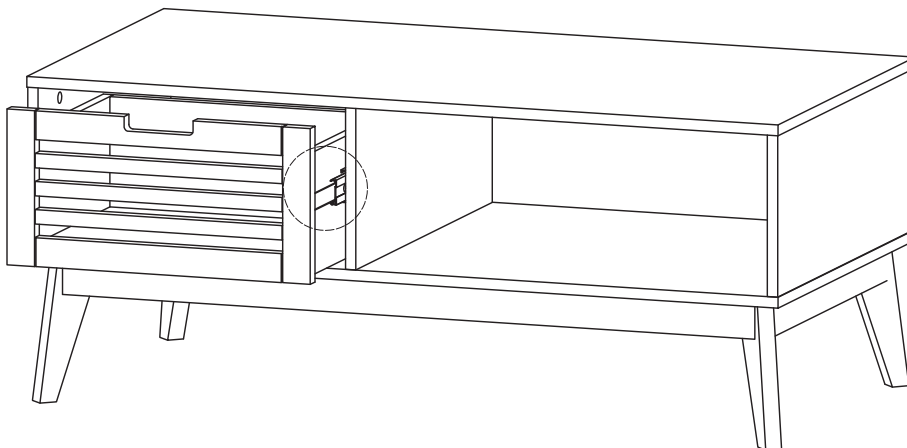


How to assemble:

Step 7



Slide out the side panel drawer glides for proper insertion of the drawers.



Line up the drawer glides on the drawers on both sides so that they enter evenly into the extended receiving side panel drawer glides as shown then gently push in the drawer until the drawer is secure and slides in and out smoothly.