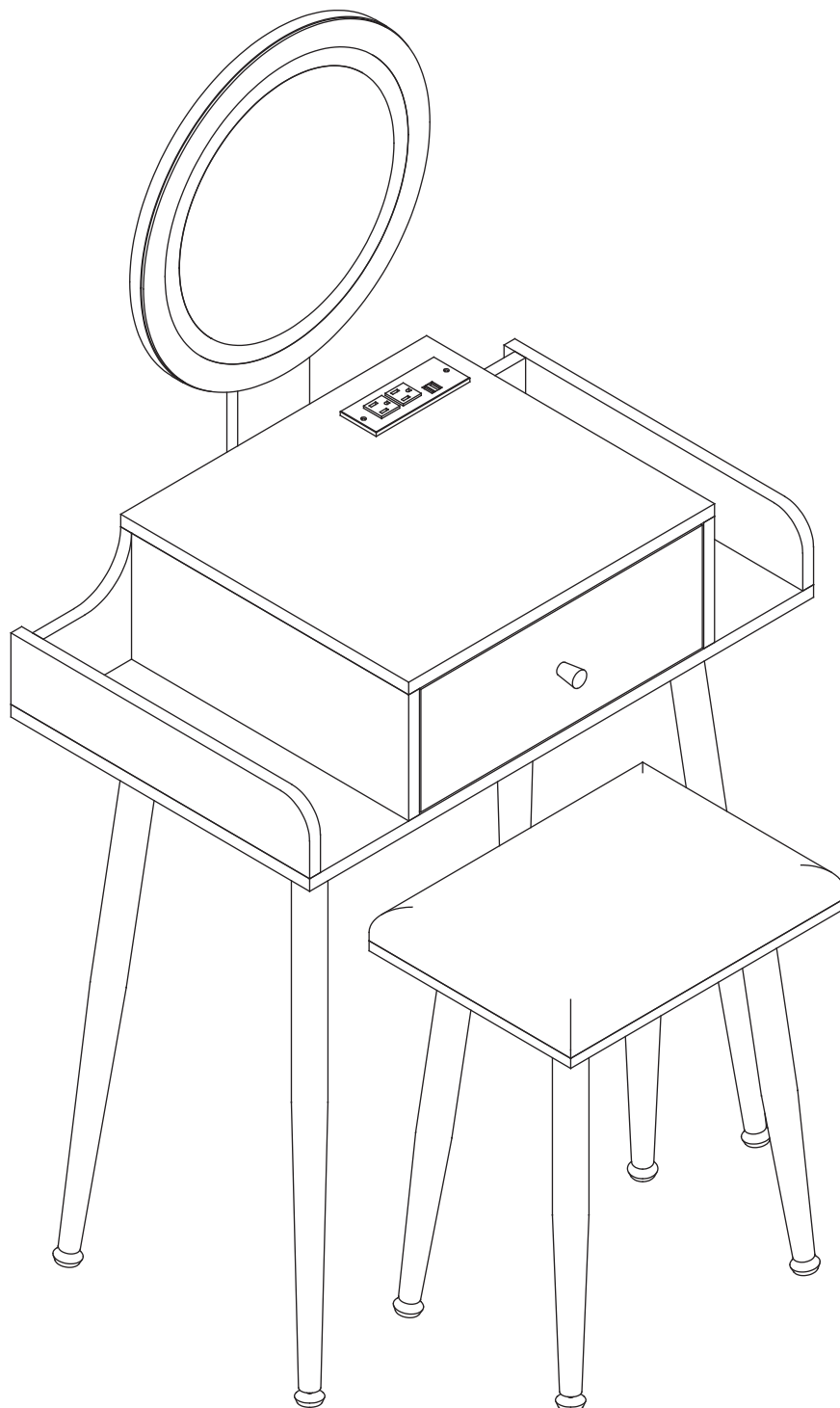


# VANITY SET WITH LIGHTED MIRROR

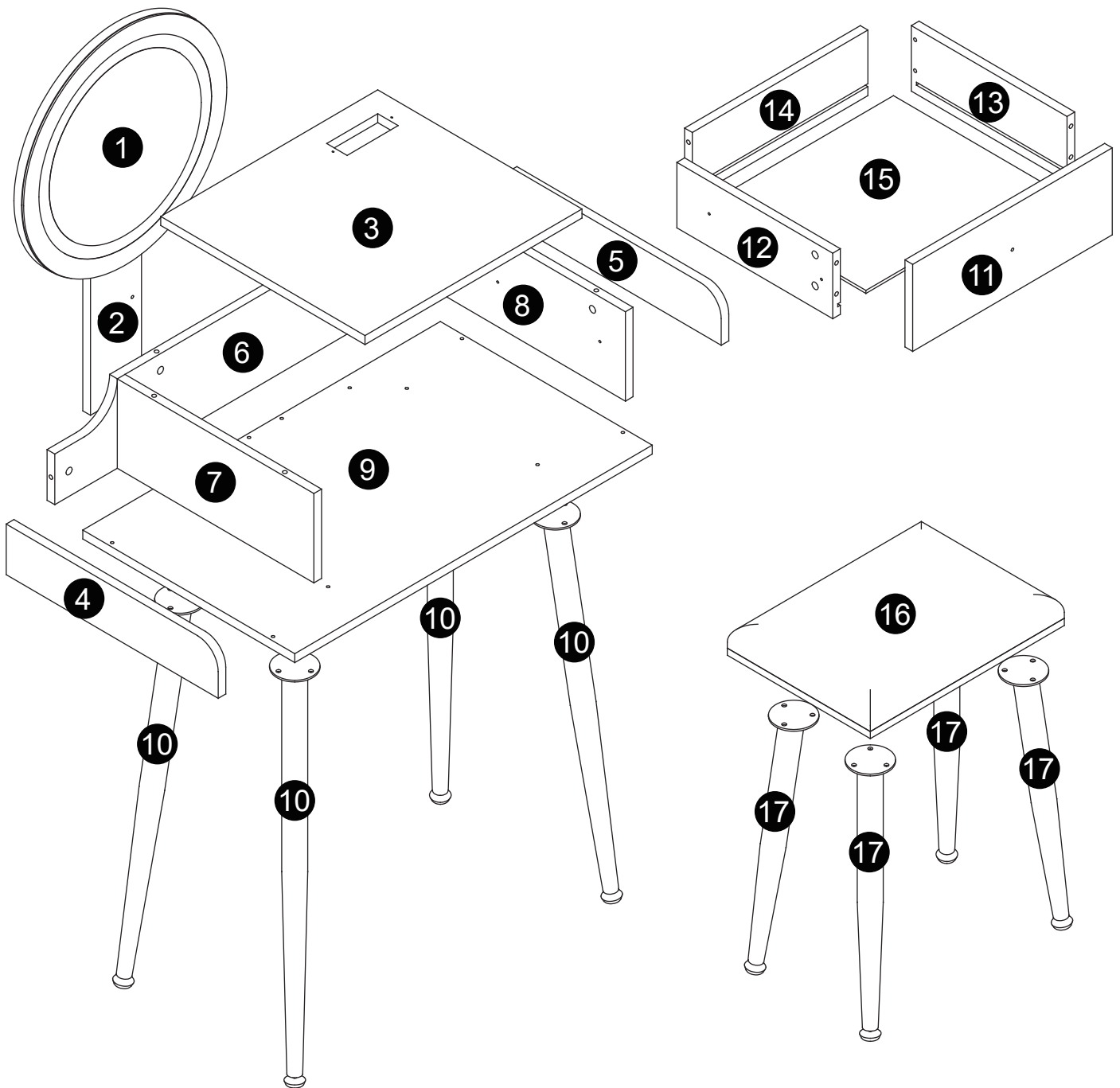
User manual



## INTRODUCTION

Thank you for purchasing our products. Committed to providing customers with the best quality products and service has always been our lifelong goal. Before using the product, please read this instruction manual carefully to ensure correct use. Keep the instruction manual in a place where the user can find it at any time.

## PANEL LAYOUT



## **PRECAUTIONS**

1. There are many components and accessories in the package. Each component and accessory is labeled with a letter or a number, check carefully before using any of them. Keep them away from children to prevent accidents.
2. Please install the product on a clean and soft underlay (such as carpet or cardboard) to avoid scratching or damaging the surface of the product.
3. The main components of the product is relatively heavy. Please pay attention to safety during installation.
4. The product is not stable during installation. Please do not move it randomly before it is completely installed.
5. If you have any questions during installation, please contact the customer service in time.

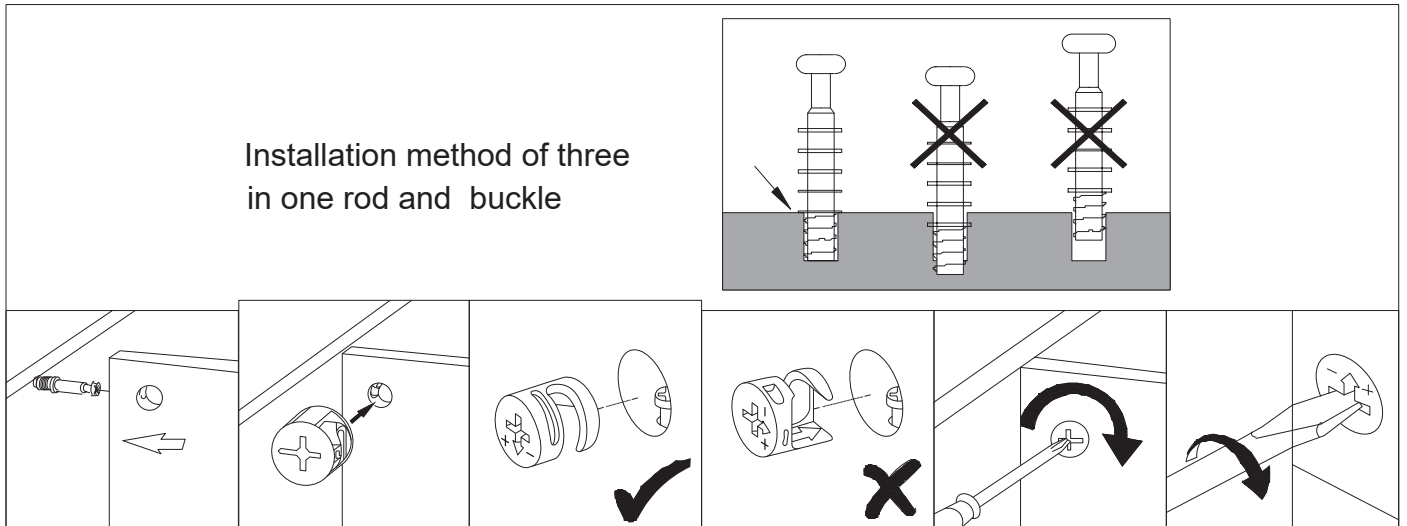
**\*PLEASE BE SURE TO FOLLOW THE INSTALLATION STEPS IN THE MANUAL TO AVOID UNNECESSARY LOSSES CAUSED BY IMPROPER INSTALLATION.**

**\*IF YOU NEED FUTHER ASSIATANCE,PLEASE CONTACT THE CUSTOMER SERVICE ONLINE.**

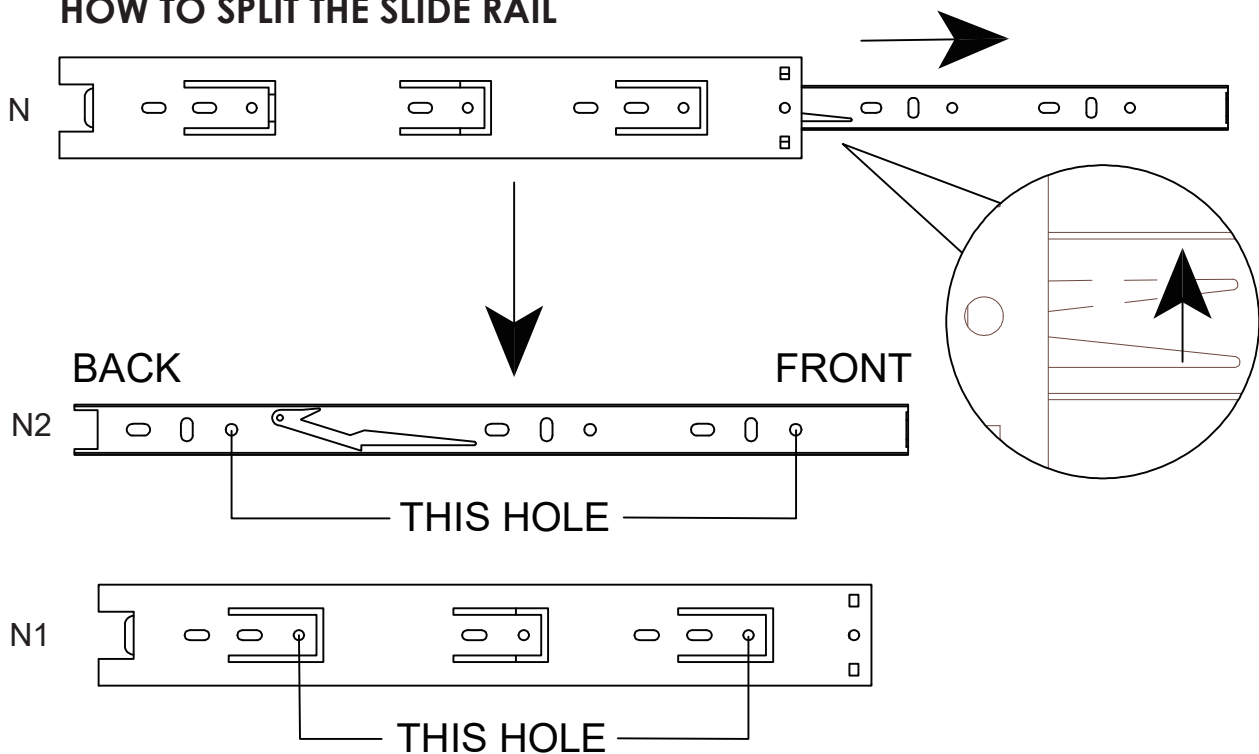


## Tips

1. When installing the product, use a soft surface (such as carpet or cardboard) to avoid scratching or damaging the surface of the product.
2. Please try to use a manual screwdriver instead of electric screw driver. A manual screwdriver can be used to better control the tightness of the screws.
3. Do not use any glue.
4. The product is unstable before it is assembled. Please pay attention to the product installation sequence, and align all screws and screw holes before tightening.
5. The structure of this product can not meet the requirements of children climbing.



## HOW TO SPLIT THE SLIDE RAIL

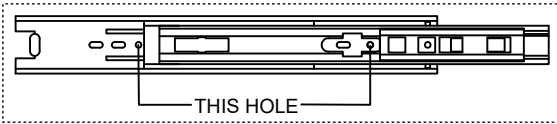
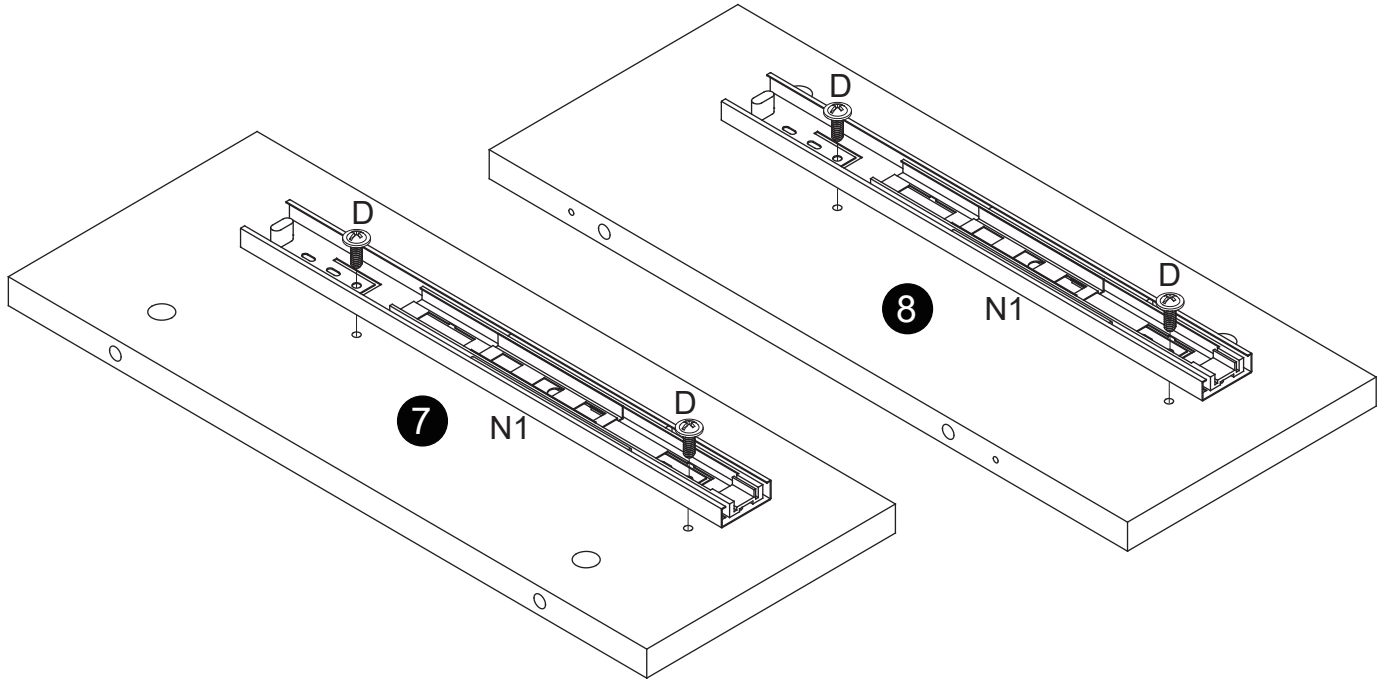


# INSTALLATION STEPS

## STEP 1

N1x2

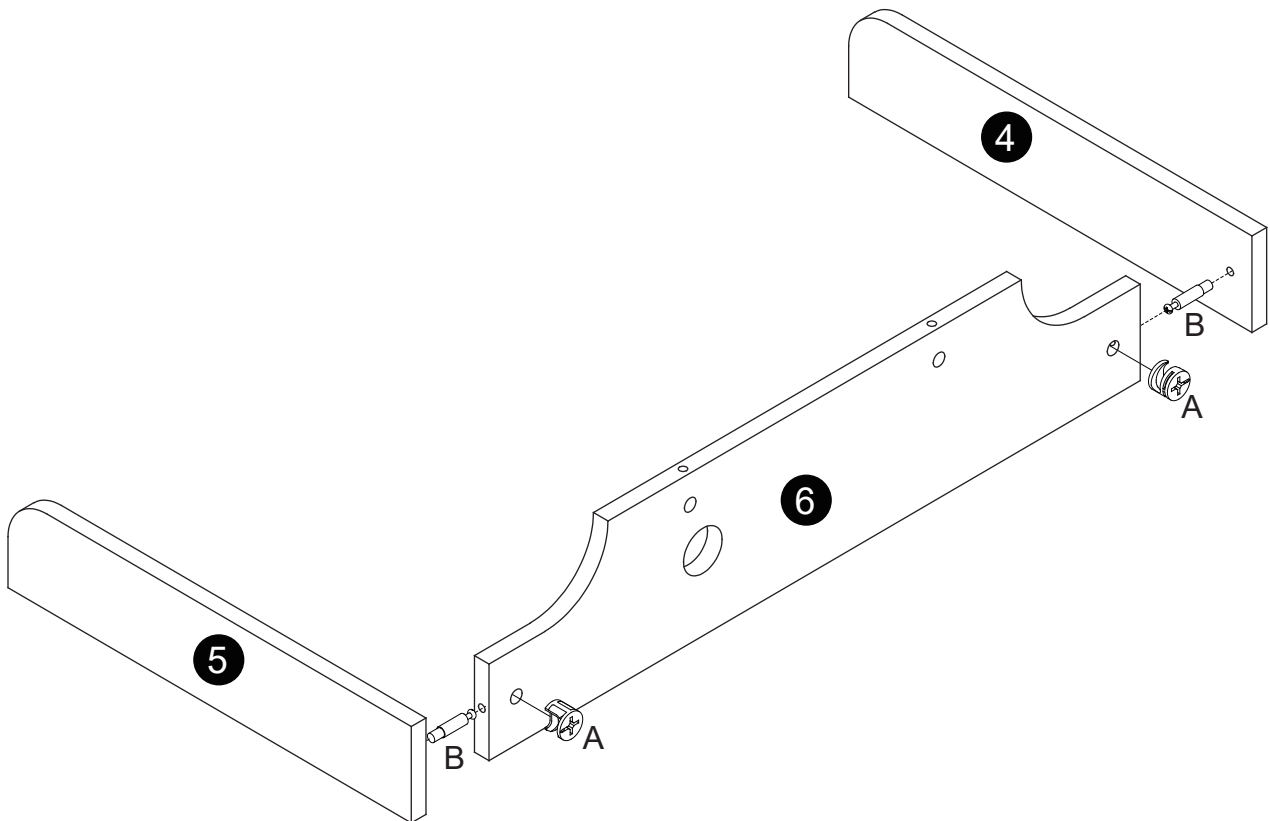
Dx4



## STEP 2

Ax2

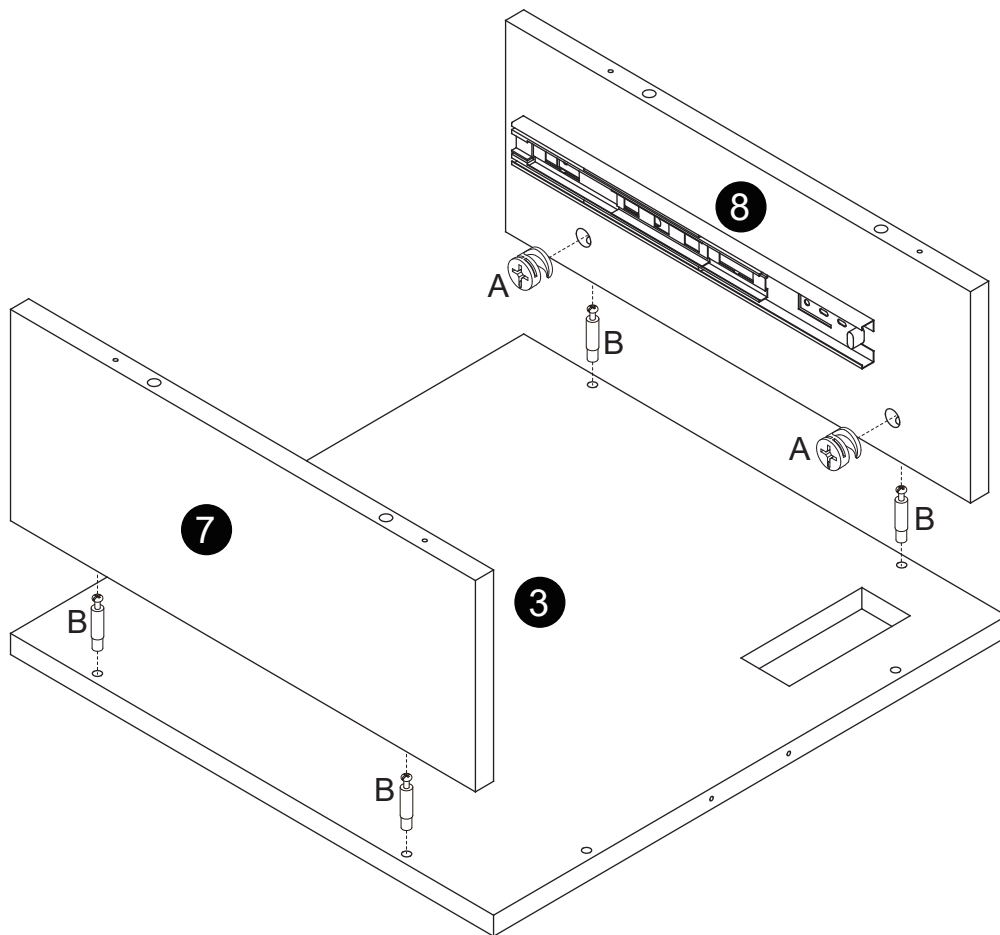
Bx2



STEP 3

Ax4

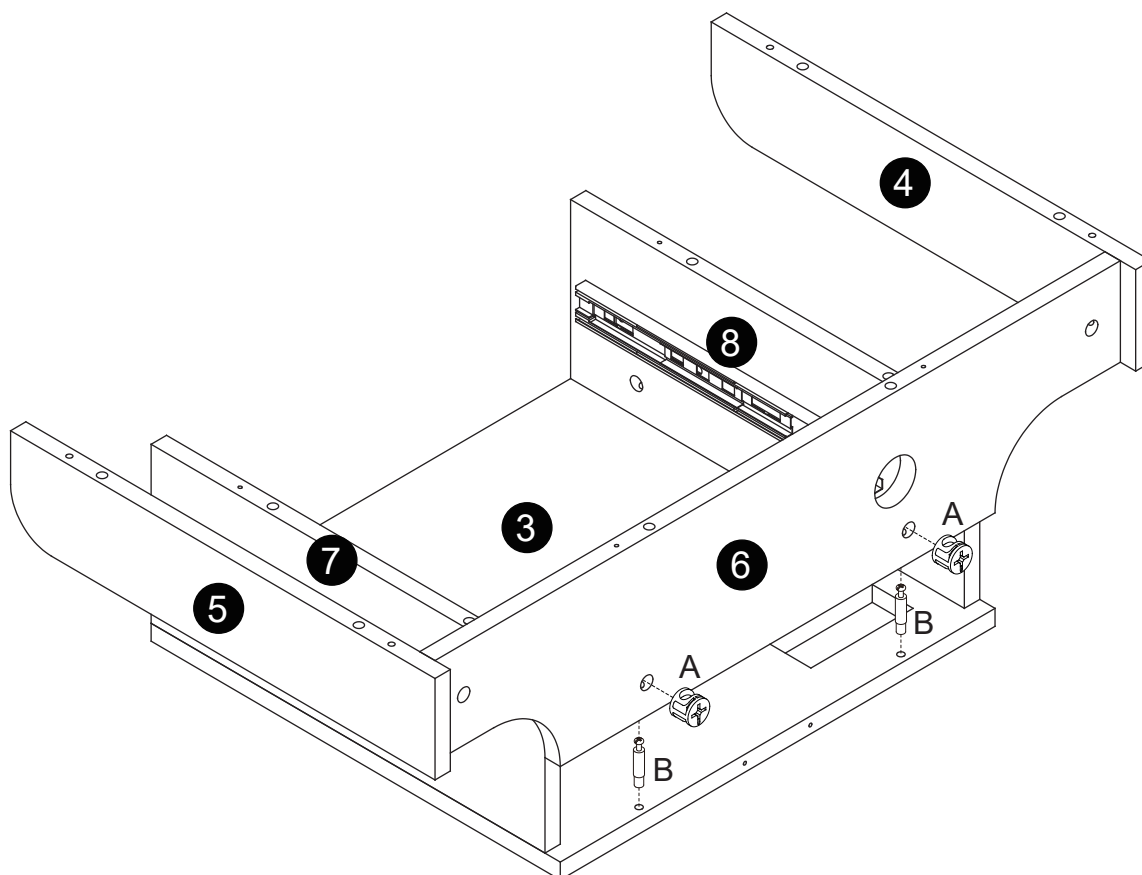
Bx4



STEP 4

Ax2

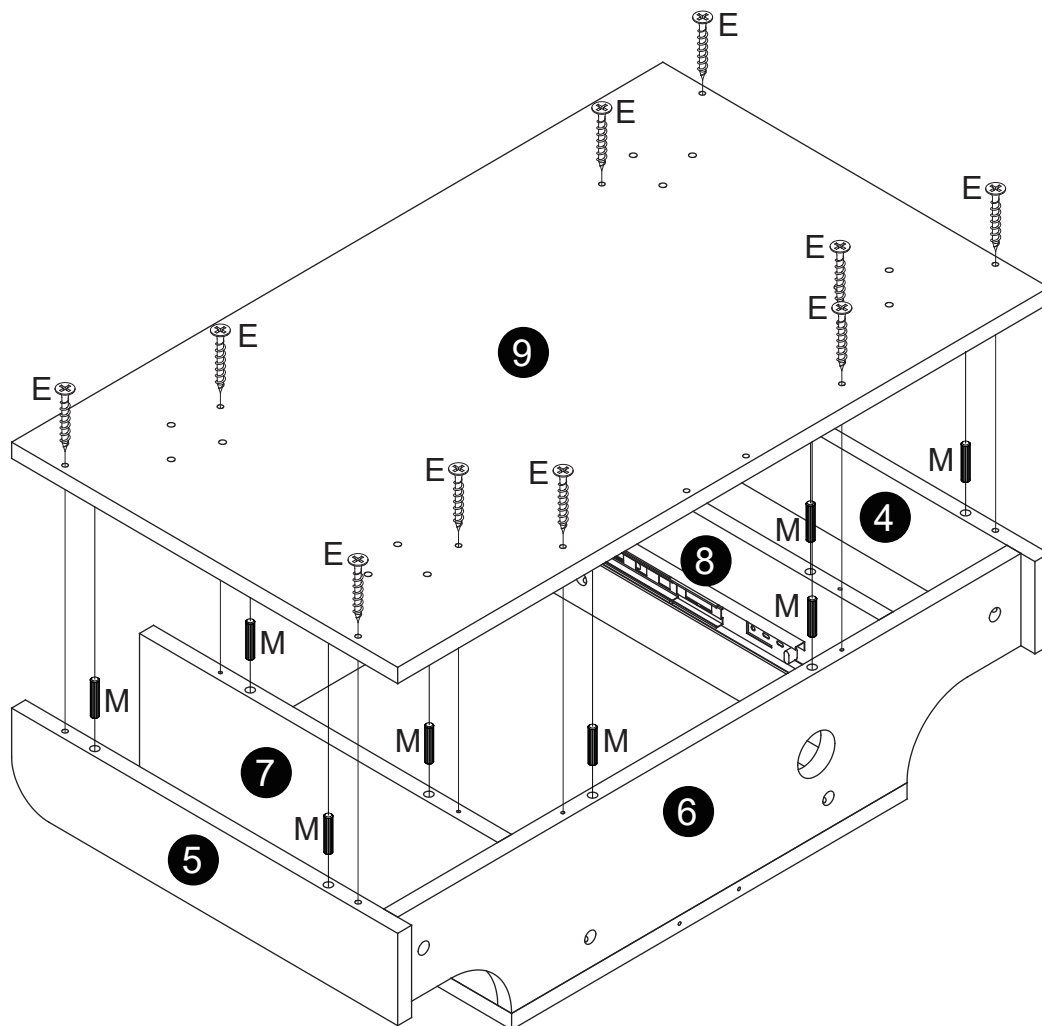
Bx2



STEP 5

Ex10

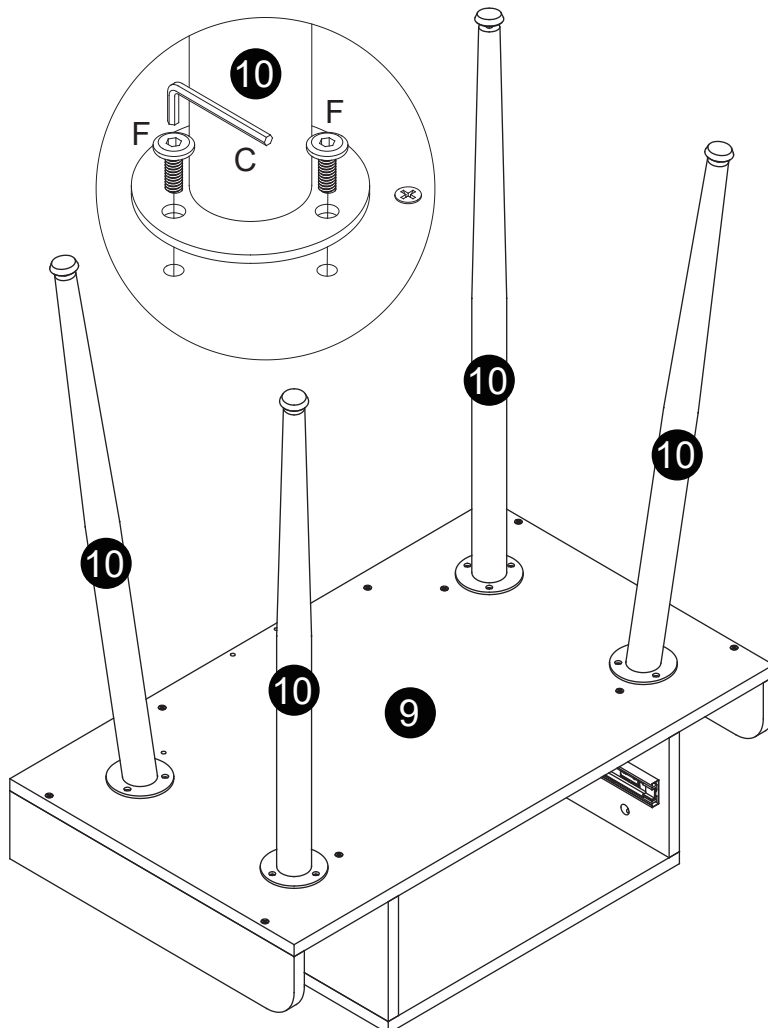
Mx10



STEP 6

Fx12

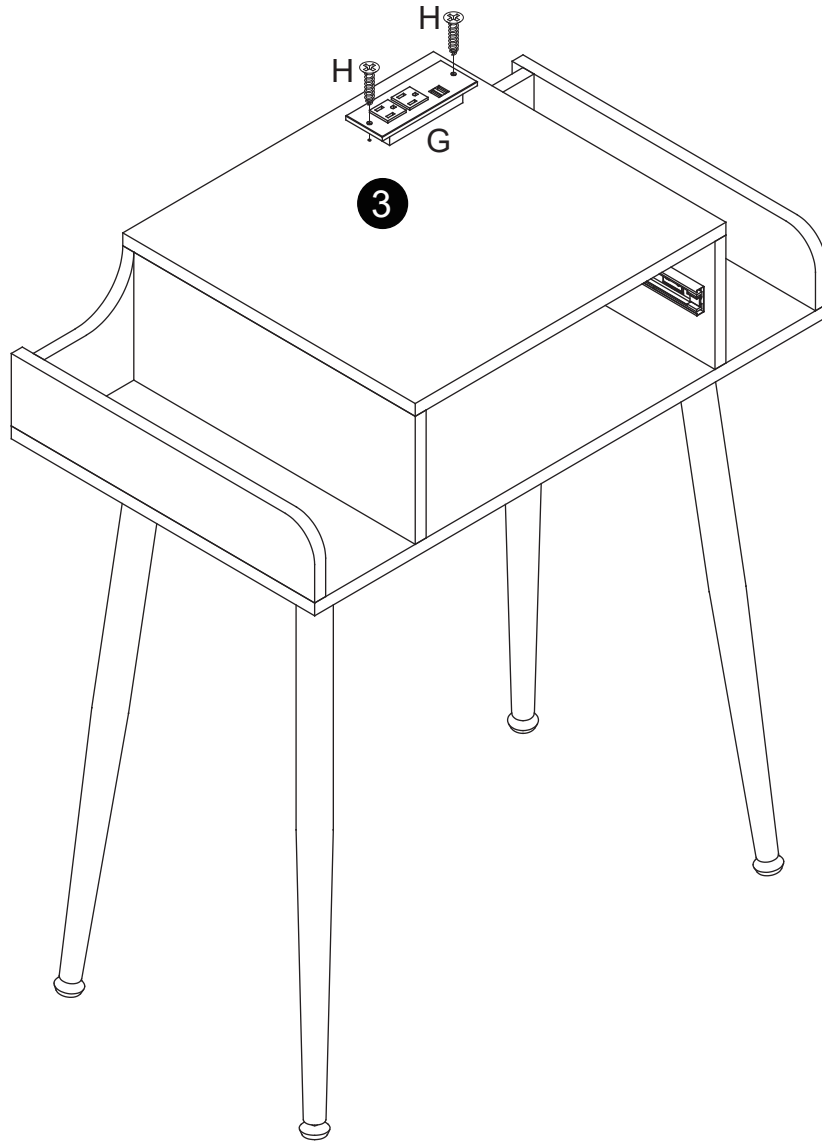
Cx1



STEP 7

Gx1

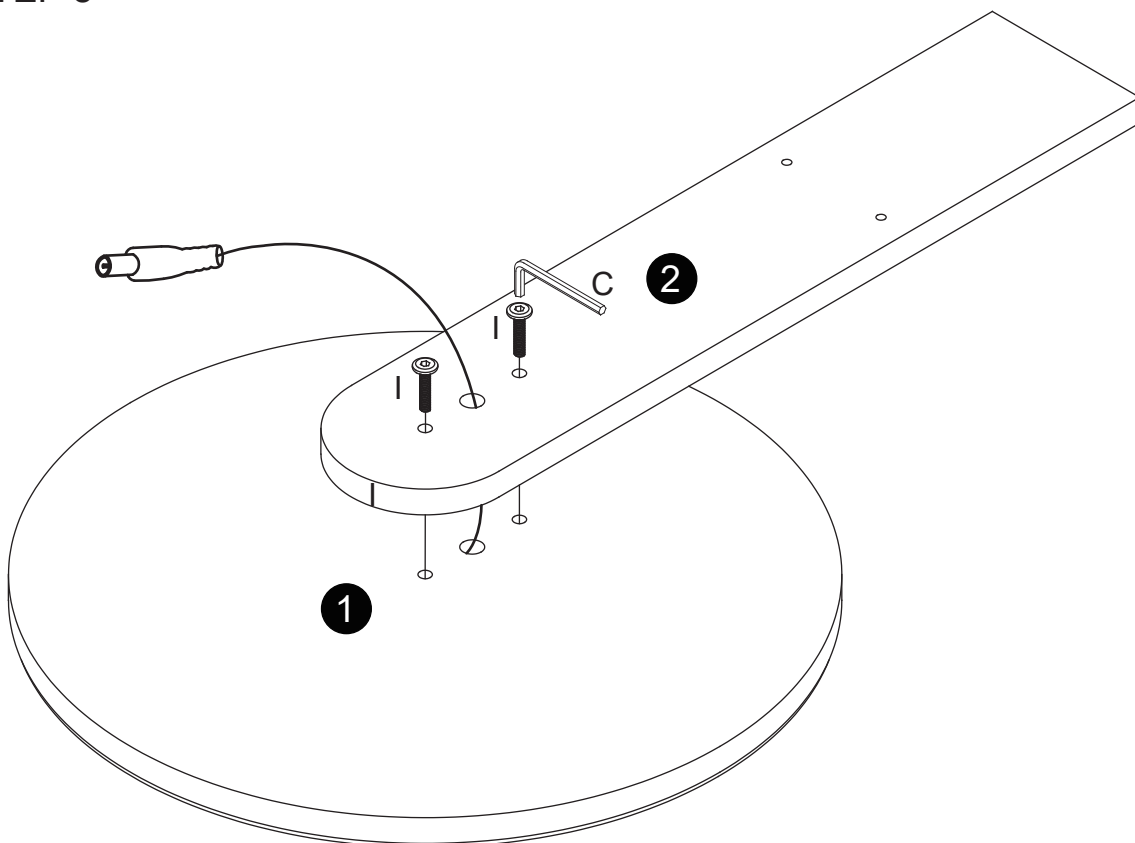
Hx2



STEP 8

Ix2

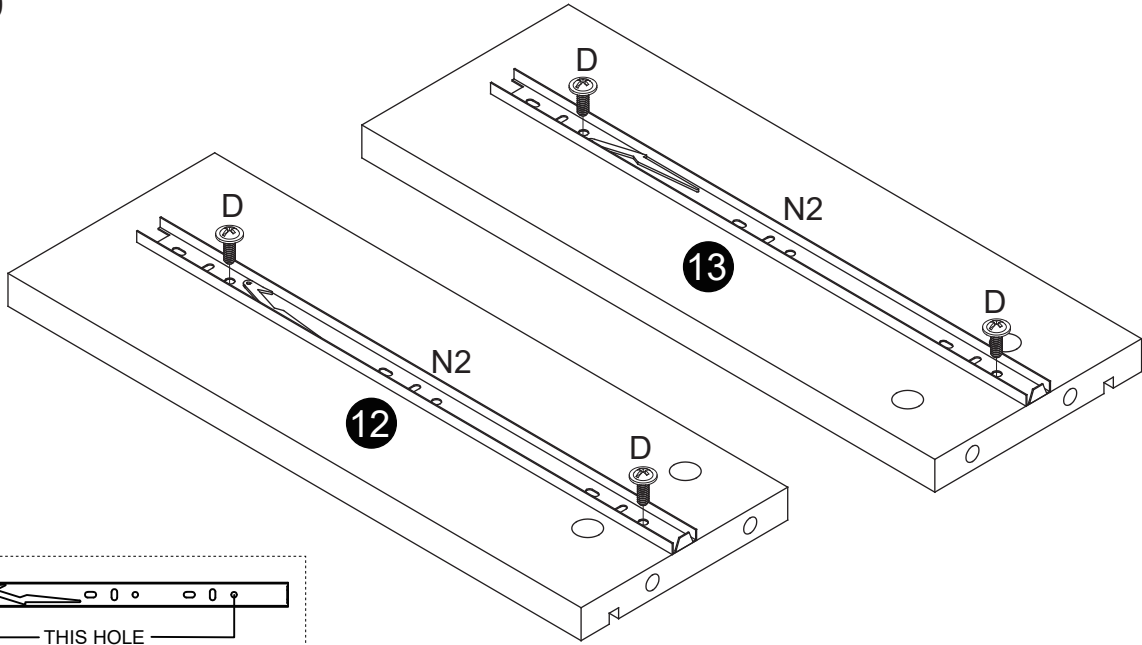
Cx1



STEP 9

N2x2

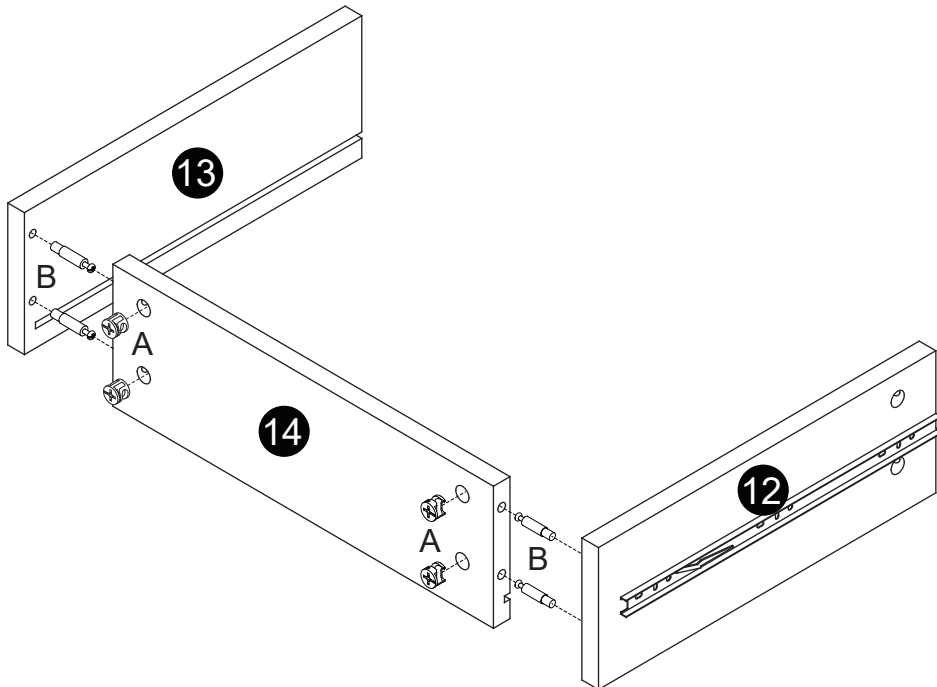
Dx4



STEP 10

Ax4

Bx4



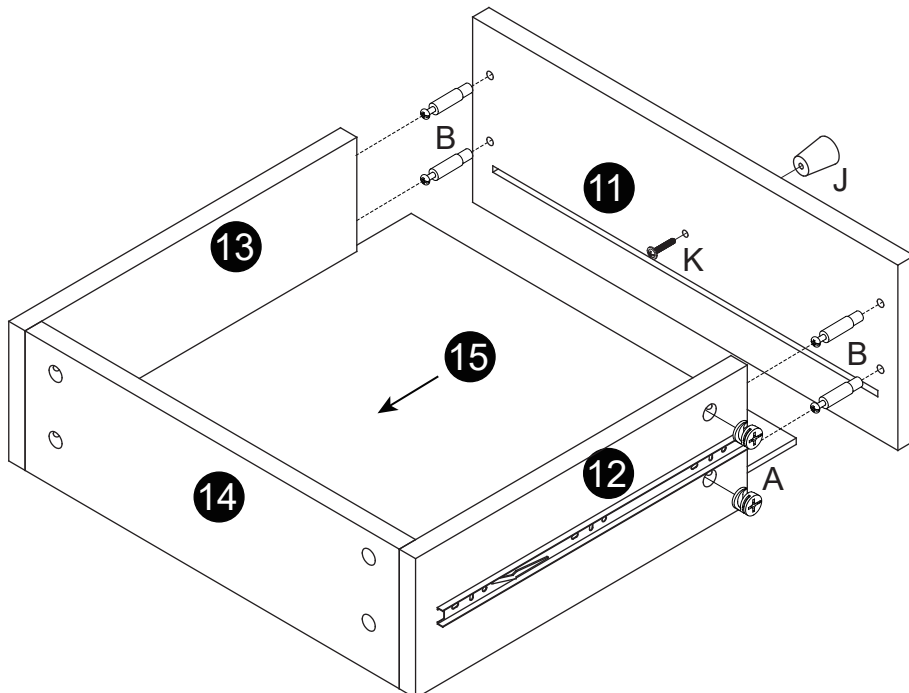
STEP 11

Ax4

Bx4

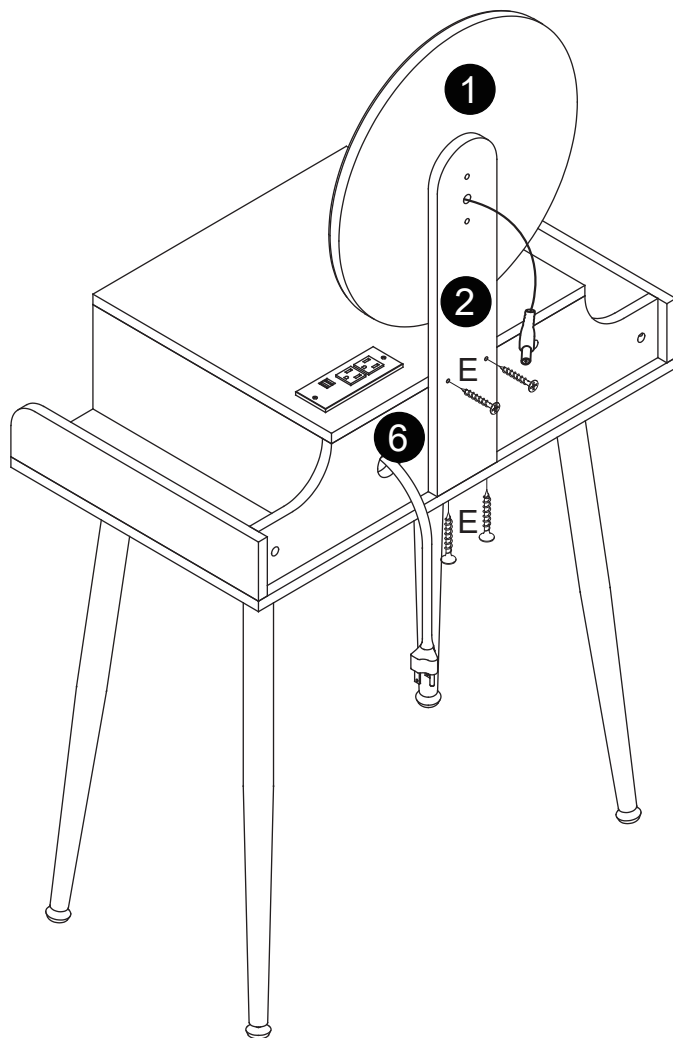
Jx1

Kx1

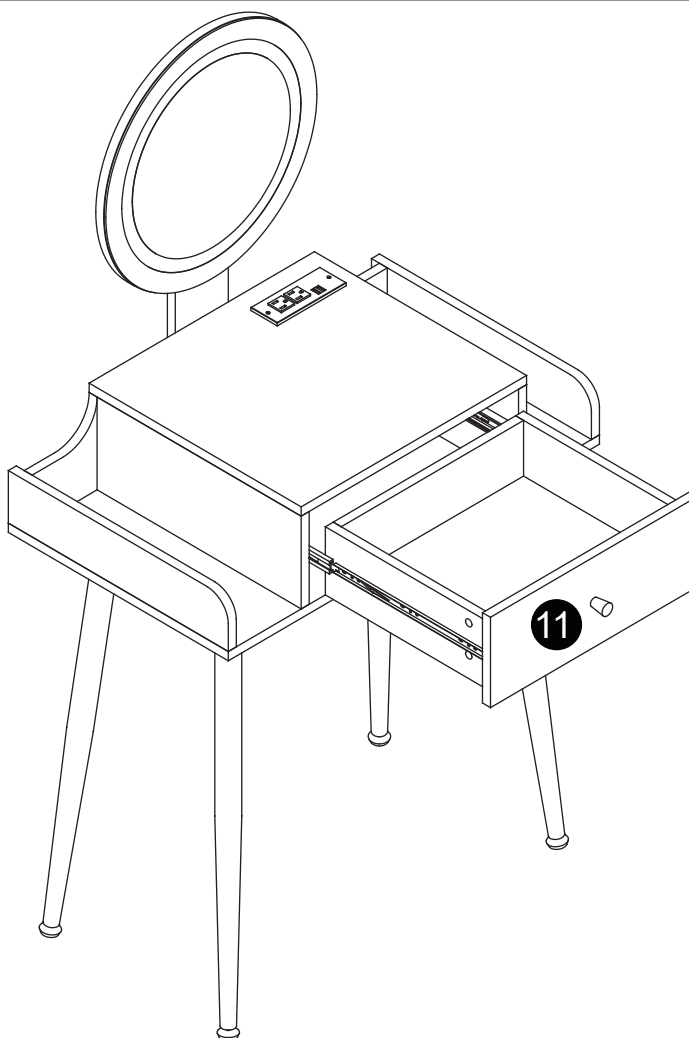


# STEP 12

Ex4

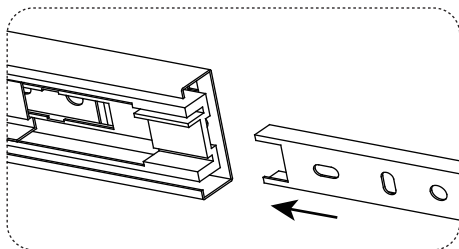


# STEP 13



Attention: Align the slide runners on the drawer with the unit and push it carefully inside until it stops.

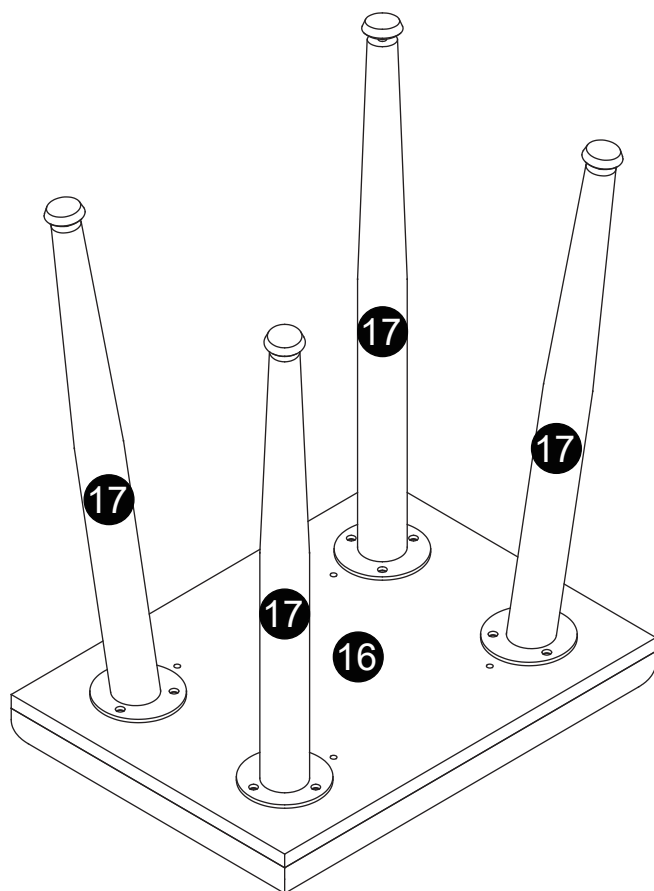
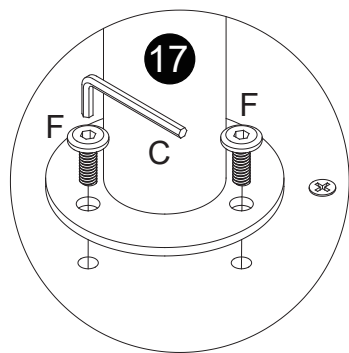
★ If the drawer does not go in smoothly please take it out and repeat the step.



STEP 14

Fx12

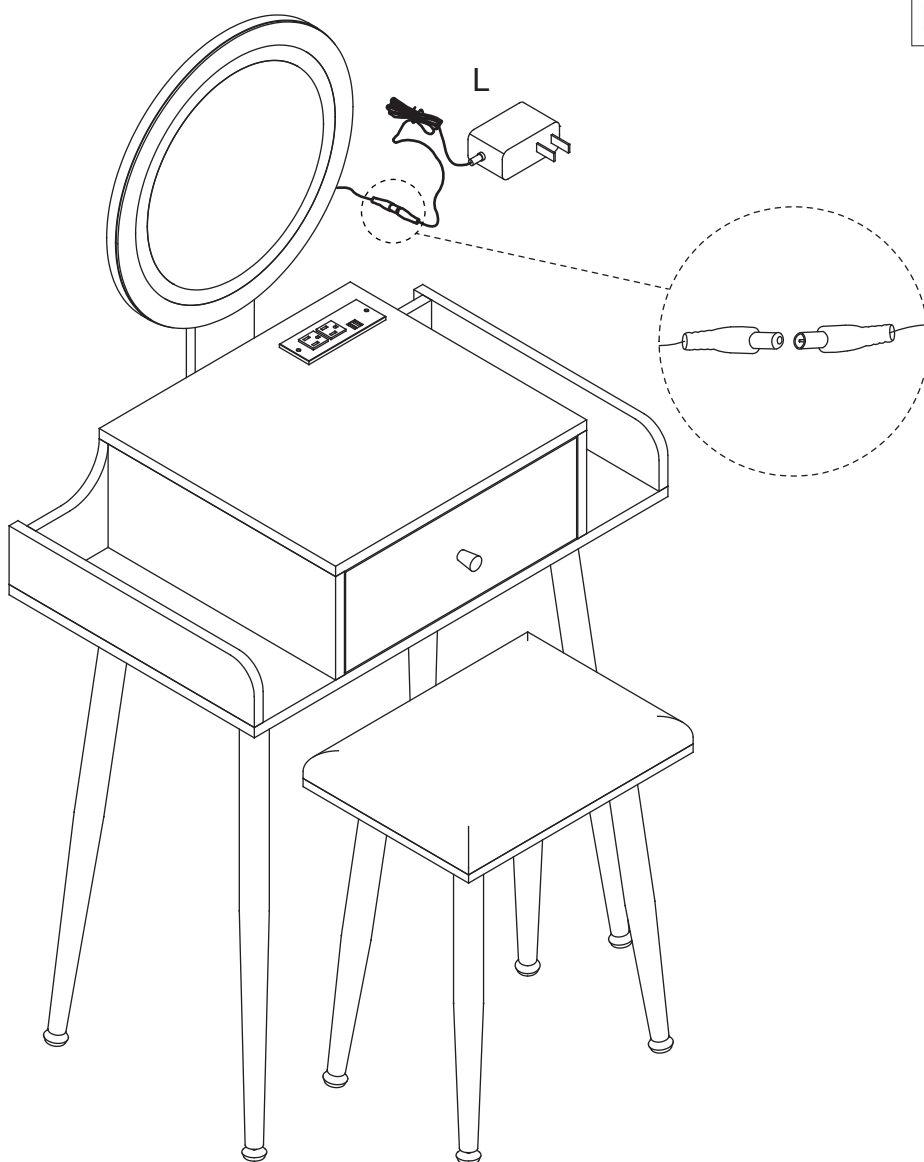
Cx1



STEP 15

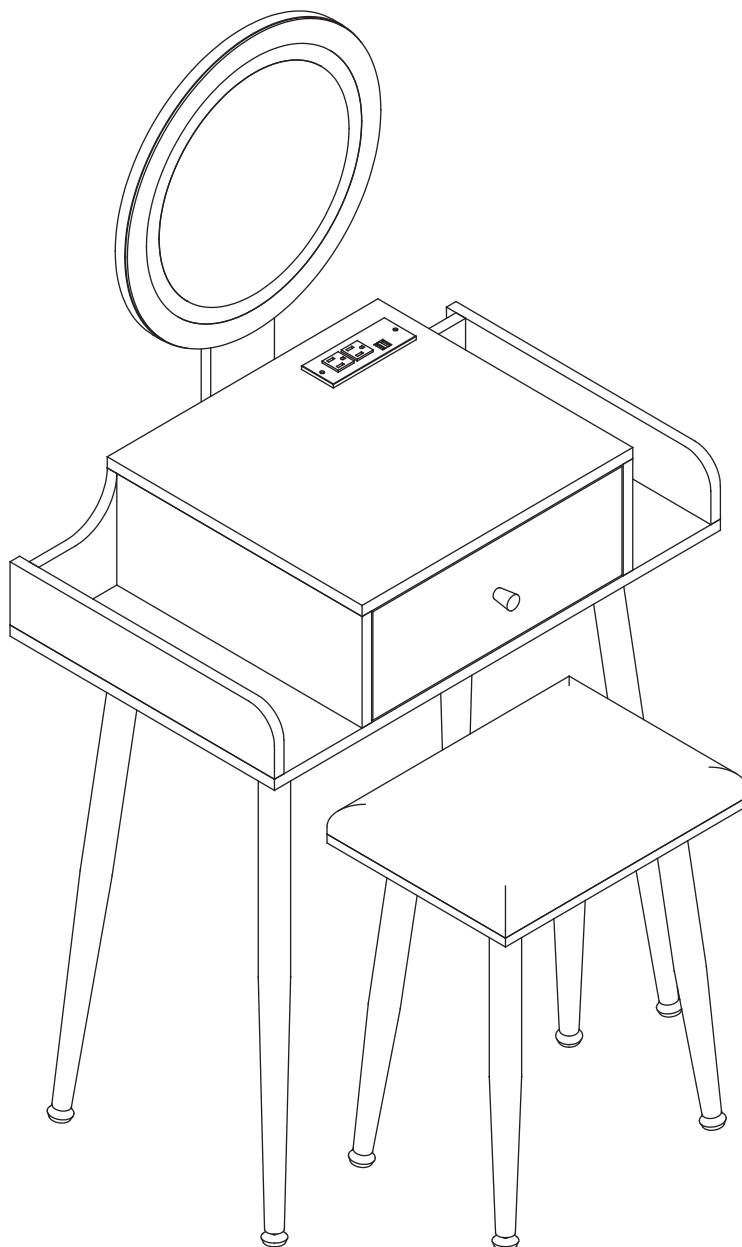
Lx1

Connect L with the mirror.



## STEP 16

Installation Completed!



### **Model : JFL2265/JFL2266**

Shandong Janfly Home Collection Co.,Ltd.

ADD: No. 66, Laotawan Village, Louzhuang Town,  
Cao County, Heze City, Shandong Province, China

Customer Service Emails

US@JANFLY.COM

EU@JANFLY.COM

Made in China

### **Model: JFL2260**

Shandong Janfly Home Collection Co.,Ltd.  
ADD: No. 66, Laotawan Village, Louzhuang Town,  
Cao County, Heze City, Shandong Province,  
China

Customer Service Emails  
US@JANFLY.COM  
EU@JANFLY.COM



Made in China