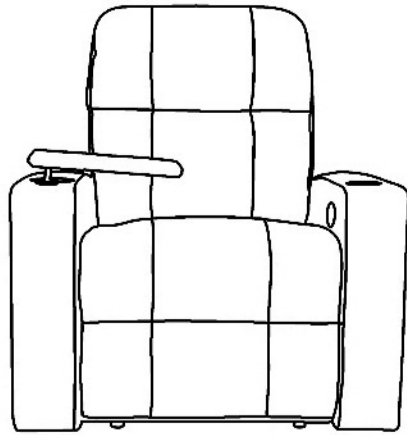
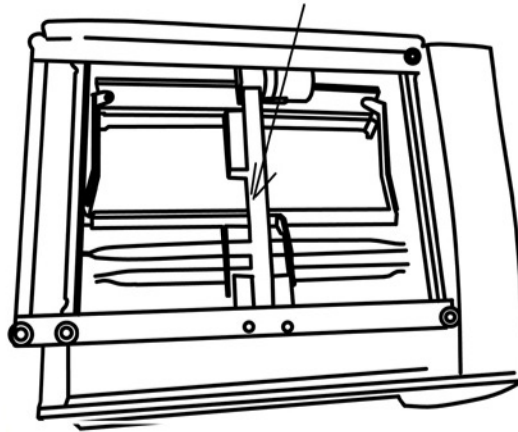
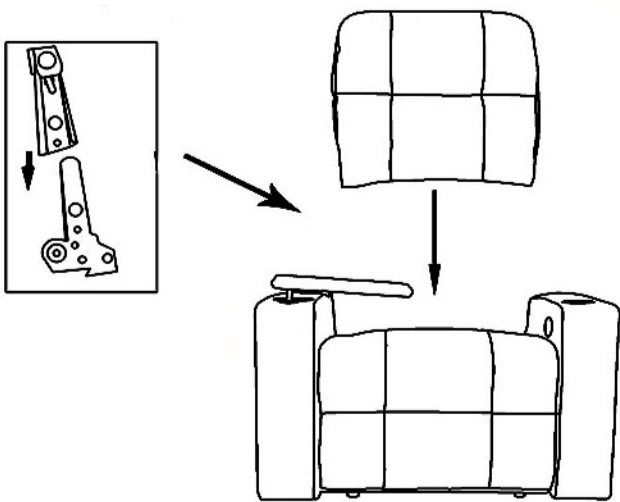


Assembly Instruction

RIDER



STEP 1: BACKREST ASSEMBLY STEP 2: ADAPTOR BELOW THE STEEL MECHANISM



STEP 3: Wire connection

*****Important notice for power recliner*****

If the recliner is in a fully reclined position, please close the recliner first before you want to sit up.

