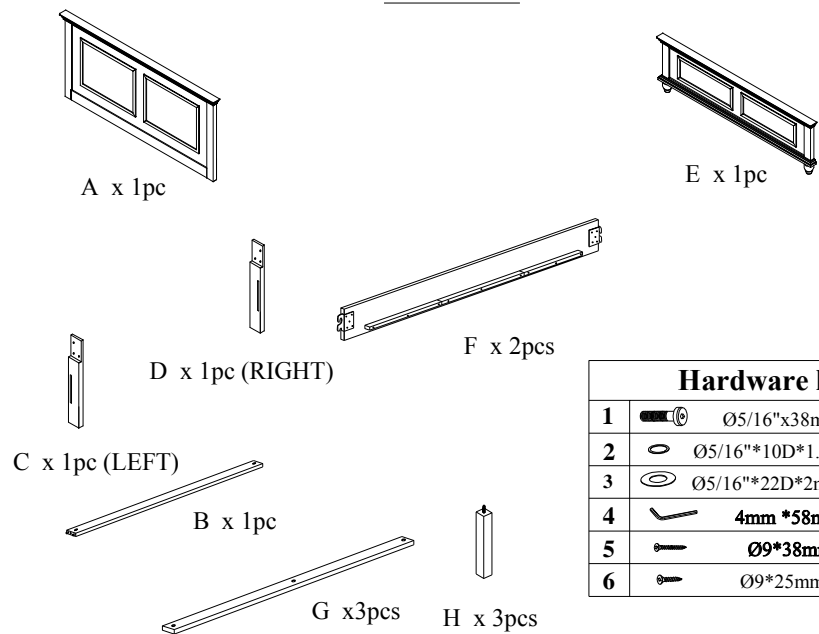


Parts list



Hardware list

1		Ø5/16"x38mm	6pcs
2		Ø5/16"*10D*1.1mm	6pcs
3		Ø5/16"*22D*2mm	6pcs
4		4mm *58mm	1pc
5		Ø9*38mm	2pcs
6		Ø9*25mm	6pcs

