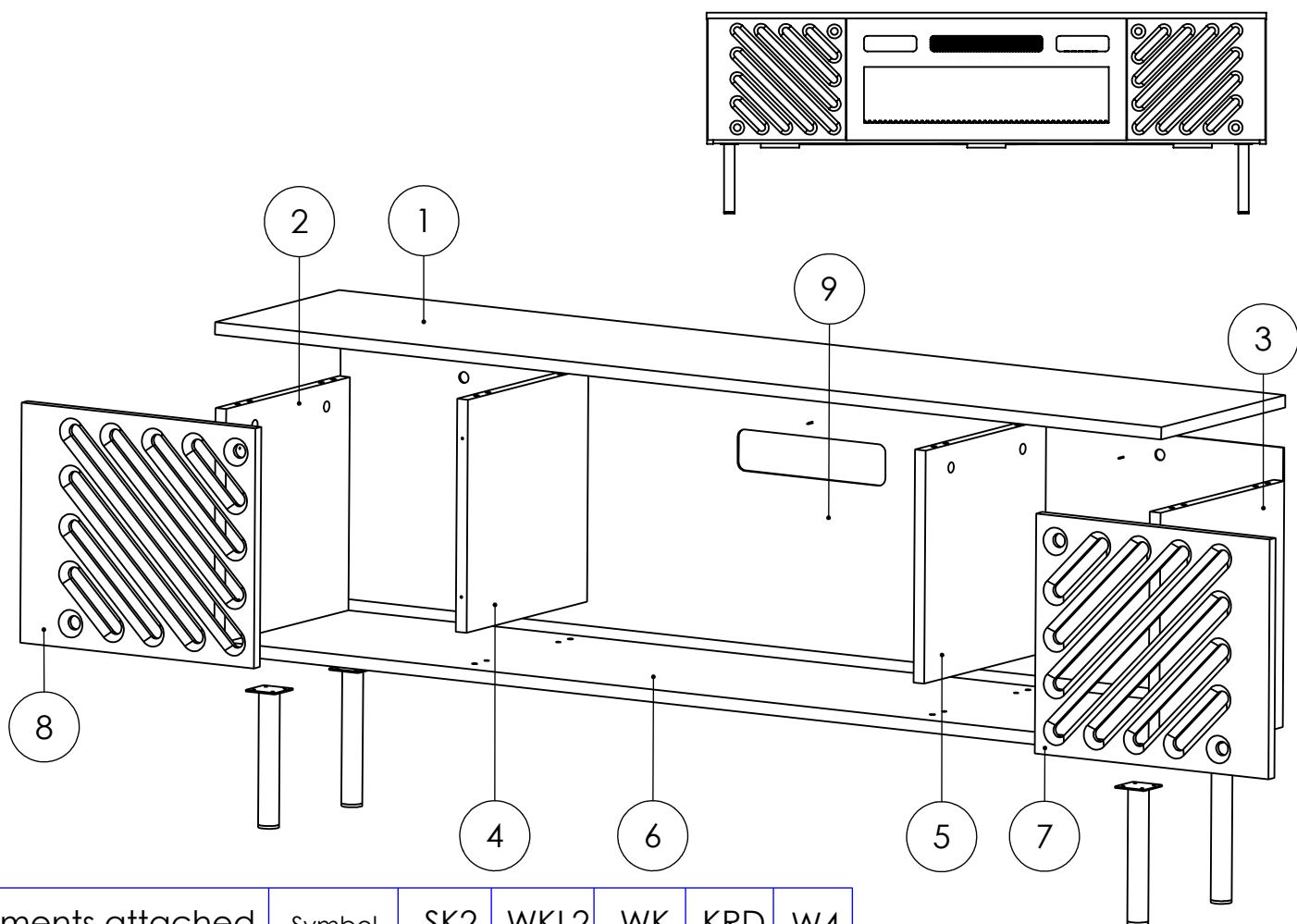
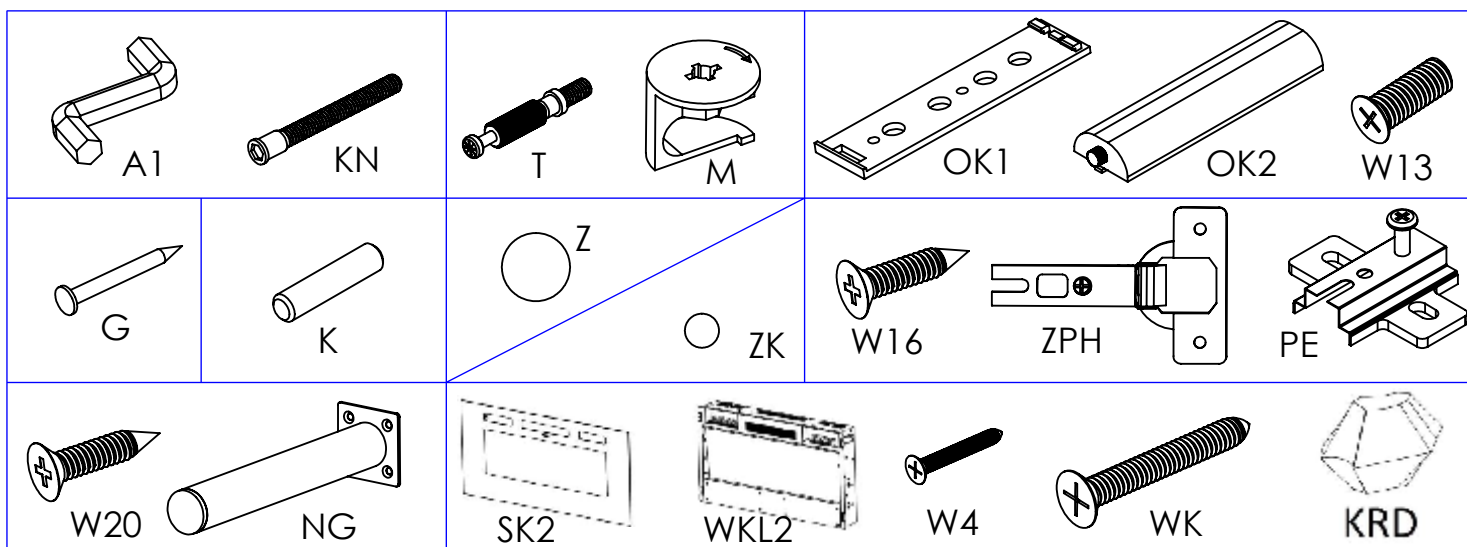


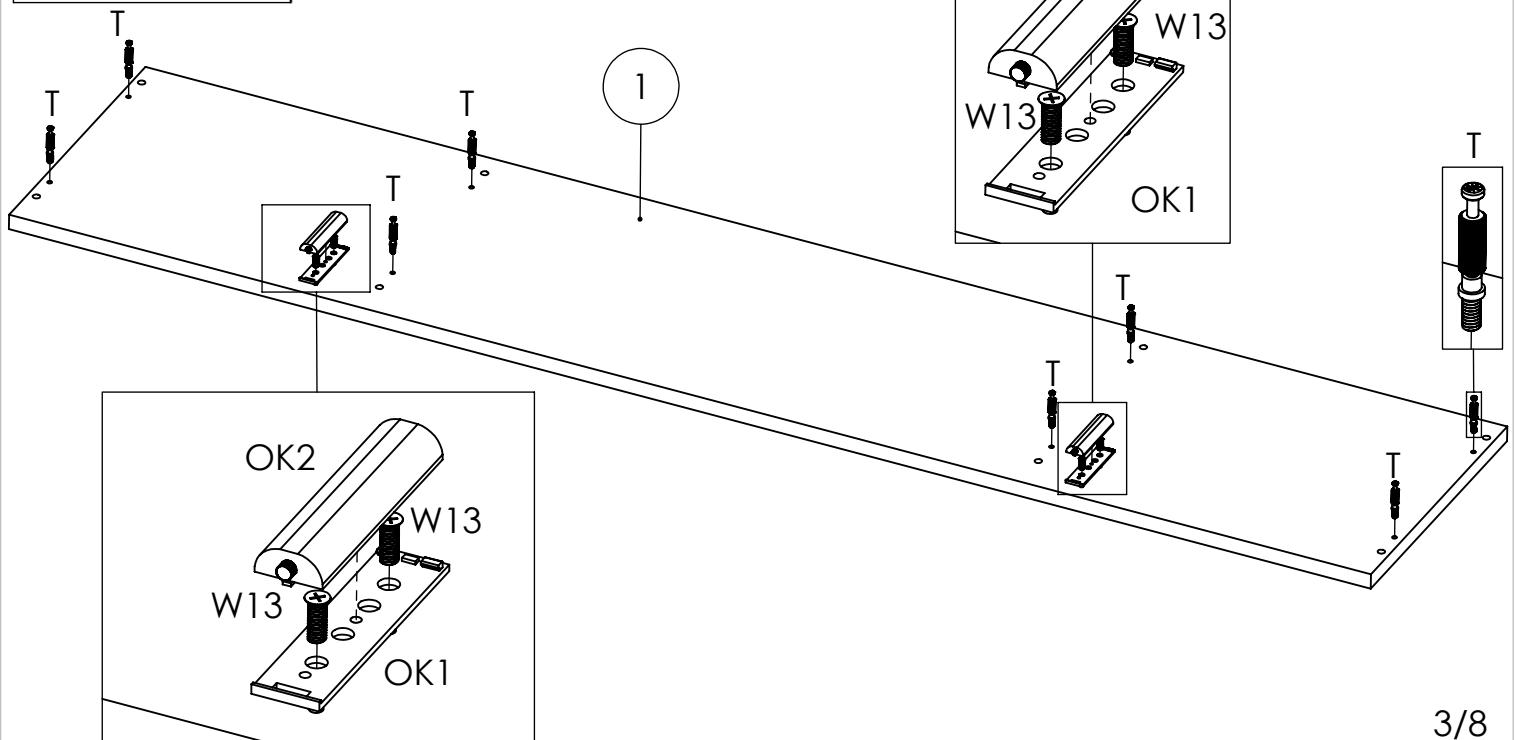
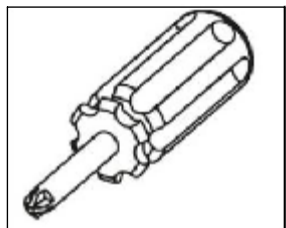
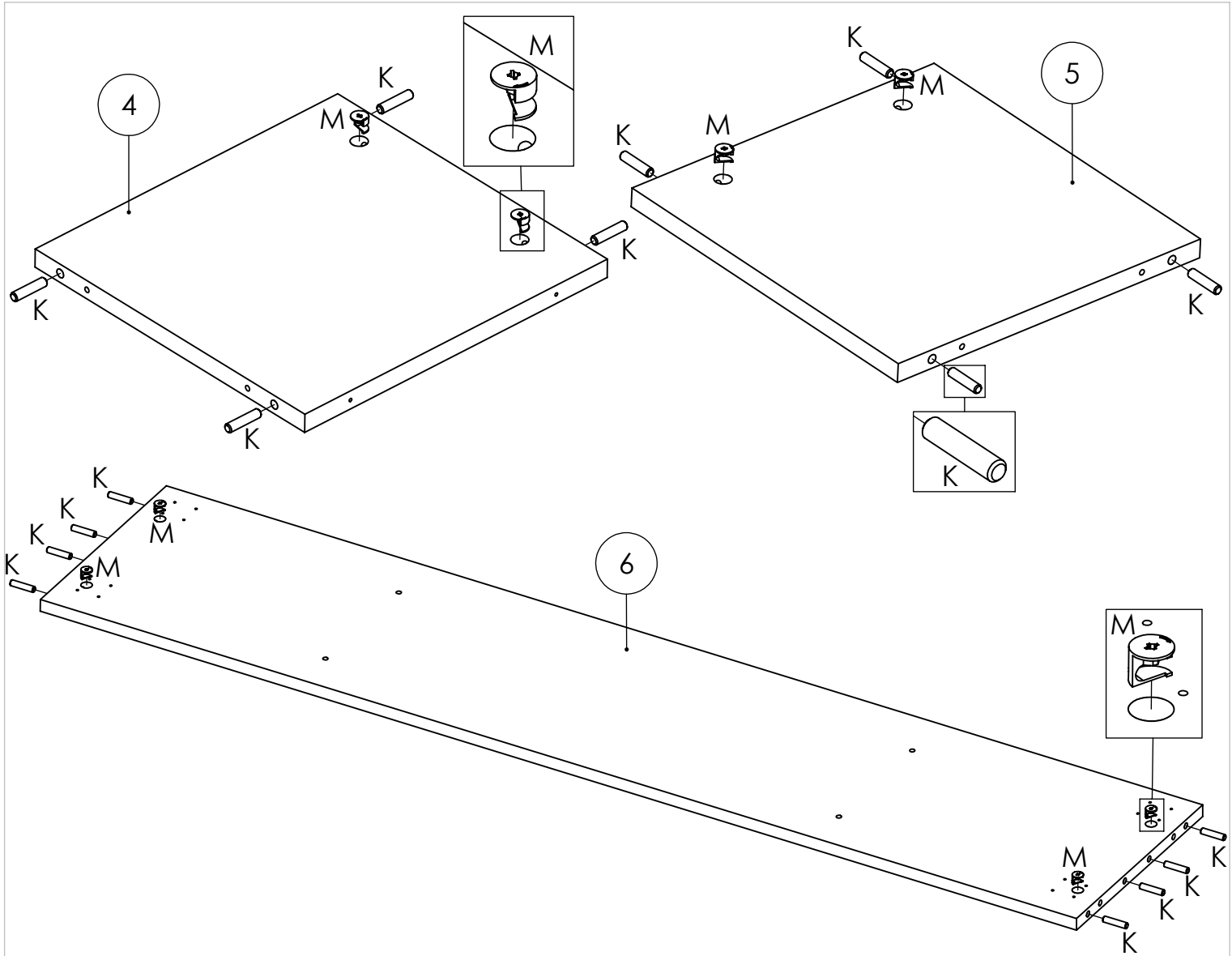
LASER TV Stand

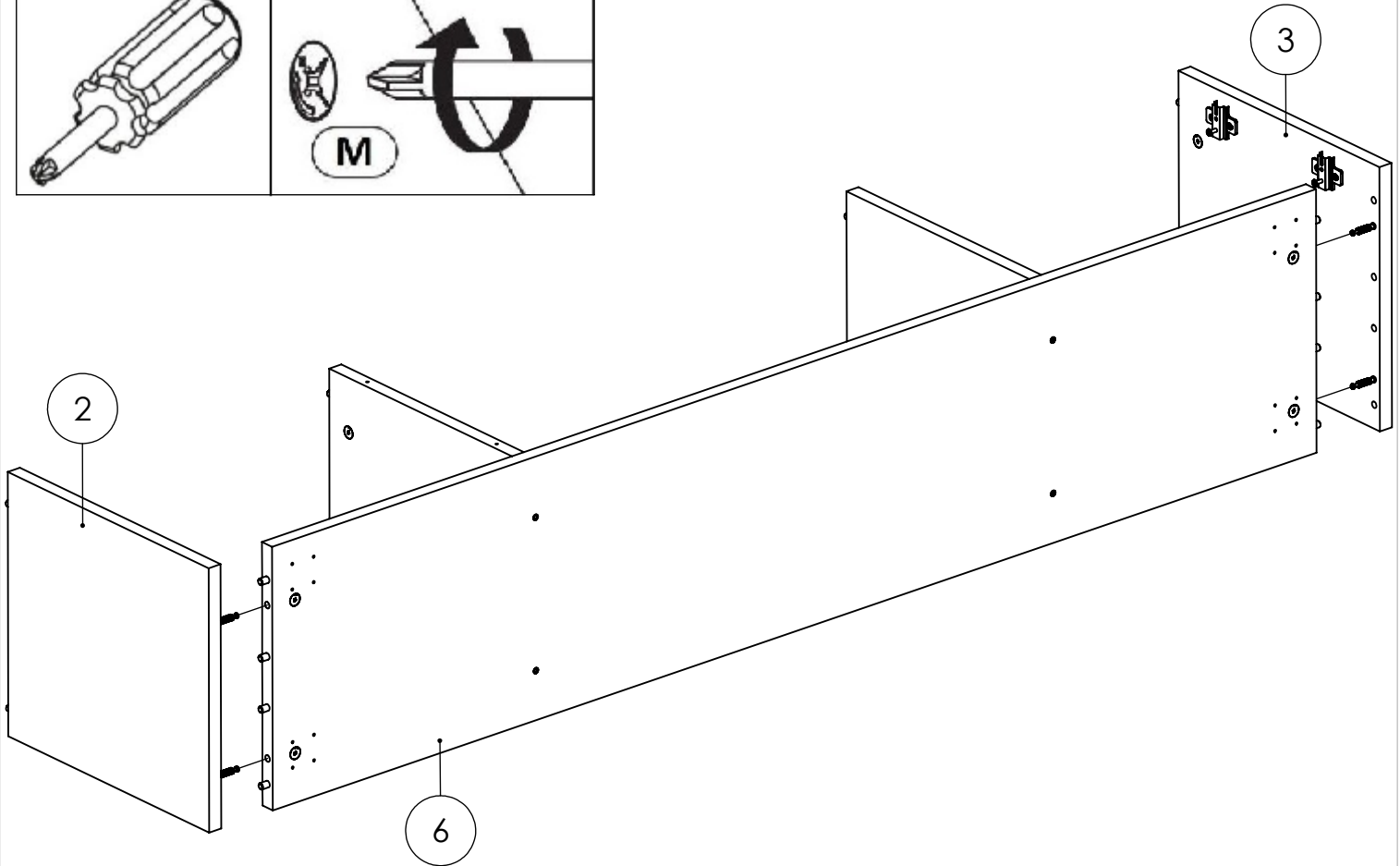
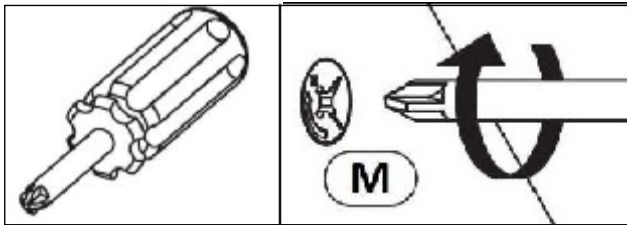
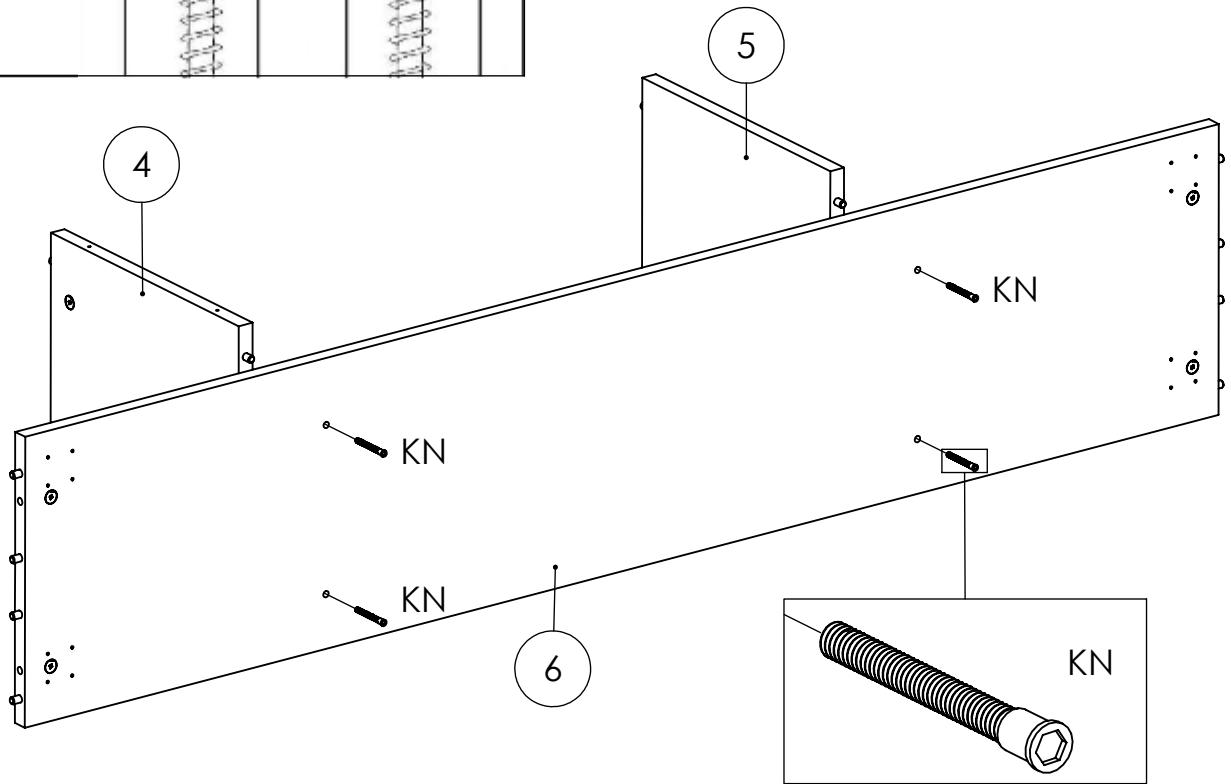
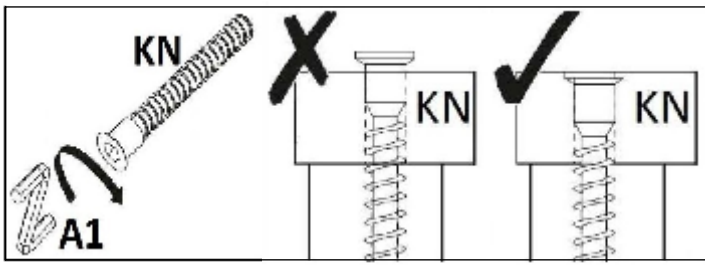


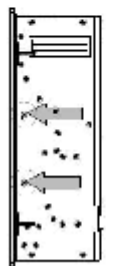
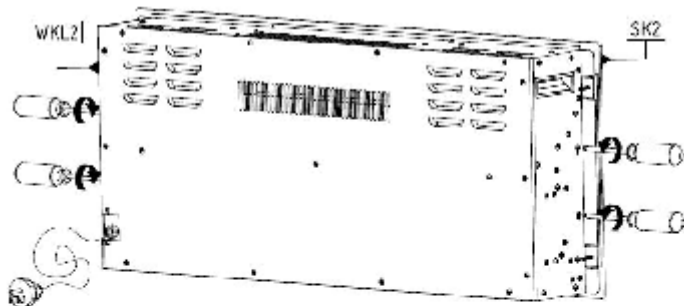
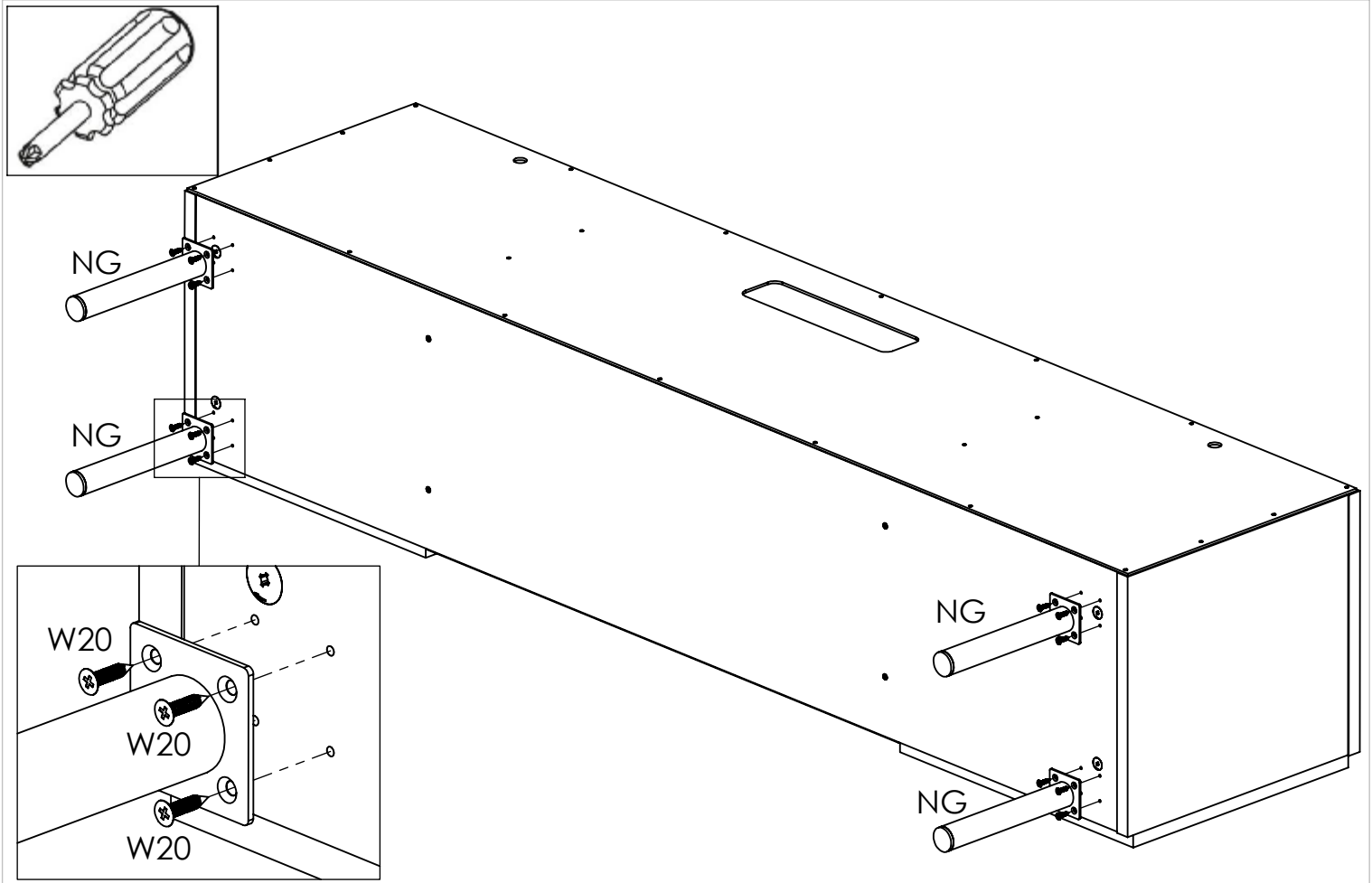
Elements attached to the electric fireplace	Symbol	SK2	WKL2	WK	KRD	W4
	QTY	1	1	2	110	4

ACCESSORIES	Symbol	A1	KN	T	M	OK1	OK2	W13	G	K	Z	ZK	W16	ZPH	PE	W20	NG
	QTY	1	4	12	12	2	2	4	22	20	8	4	16	4	4	16	4

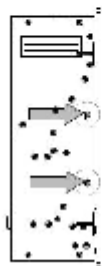




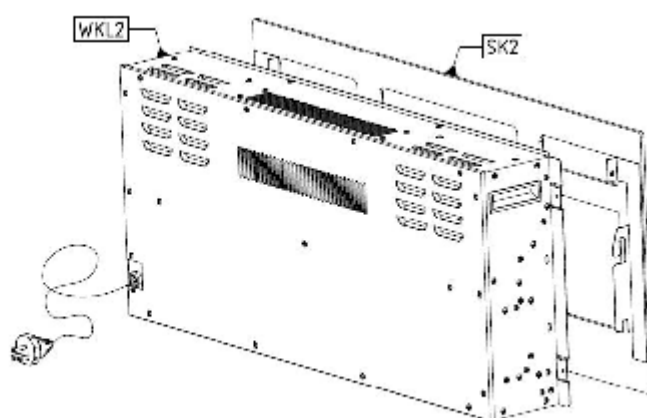
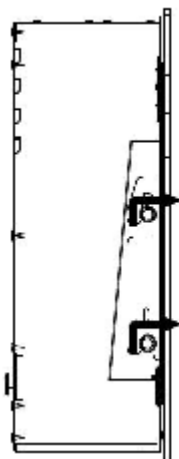


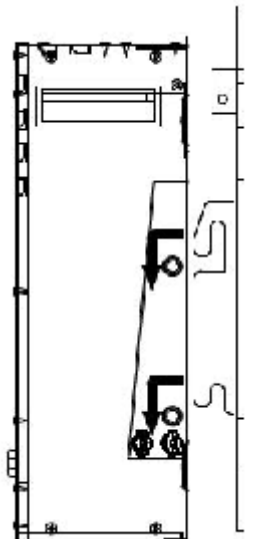
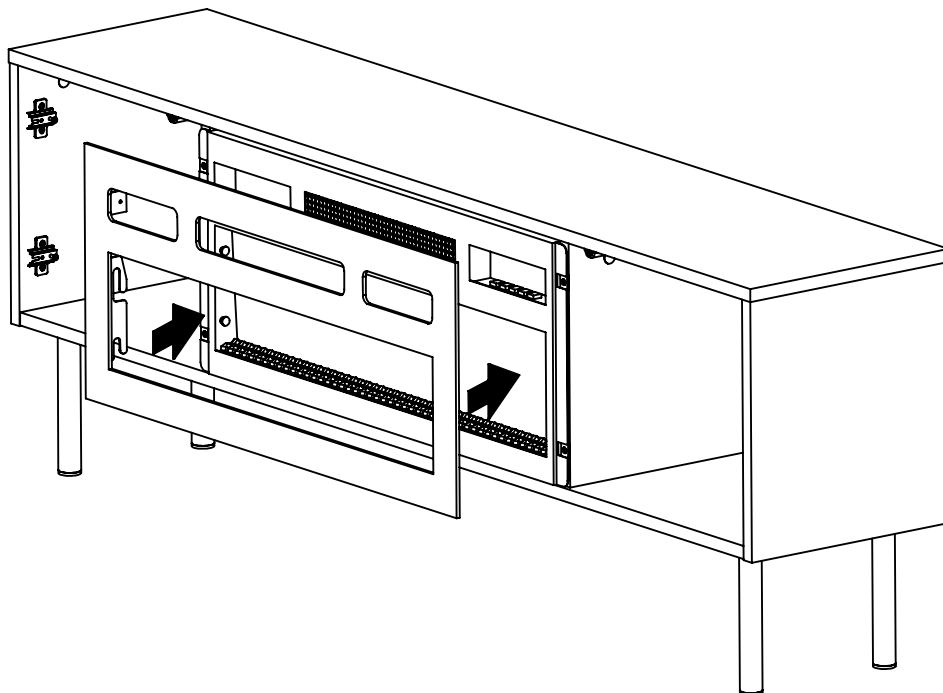
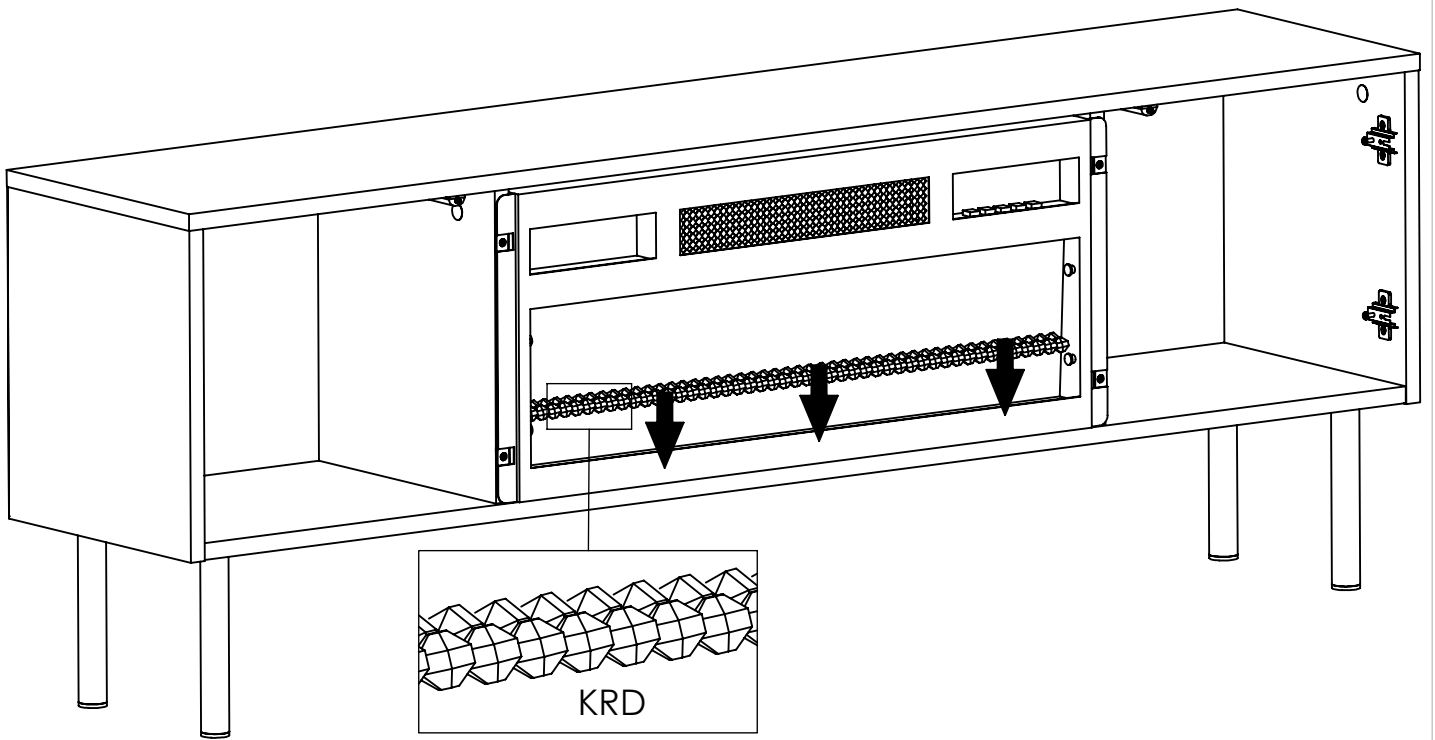
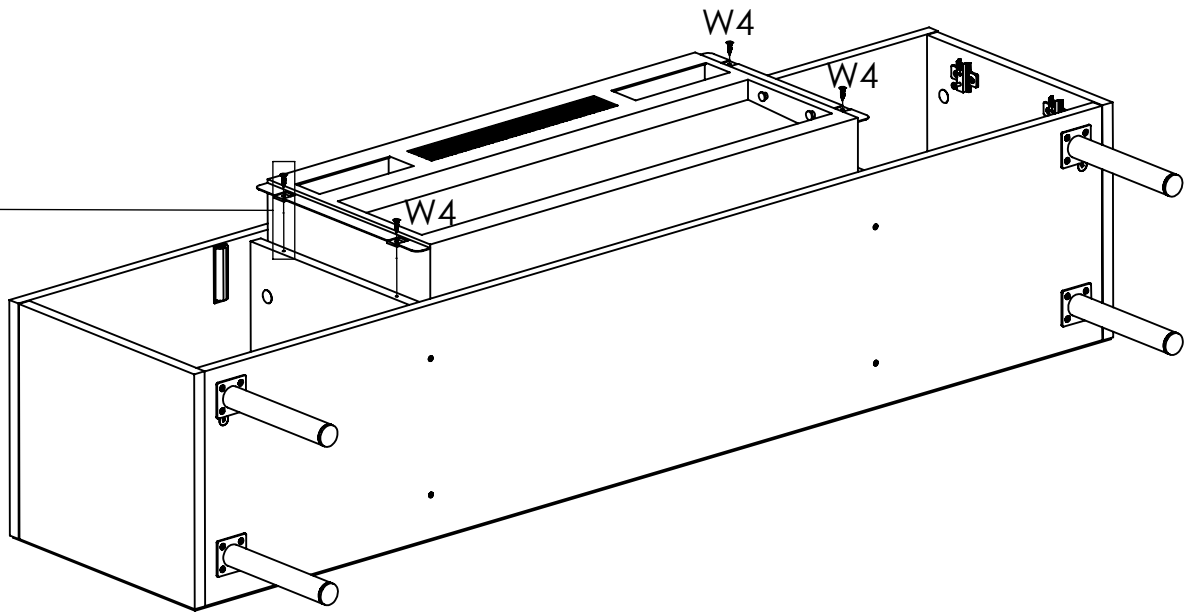
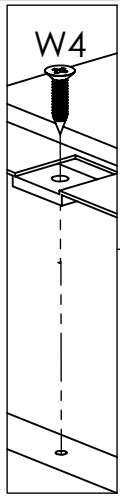


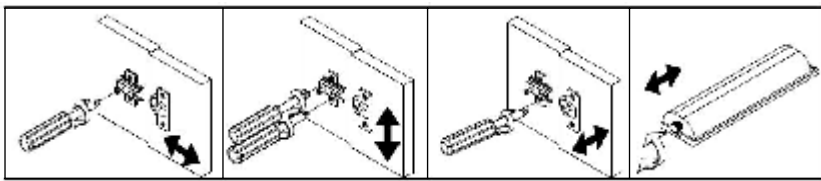
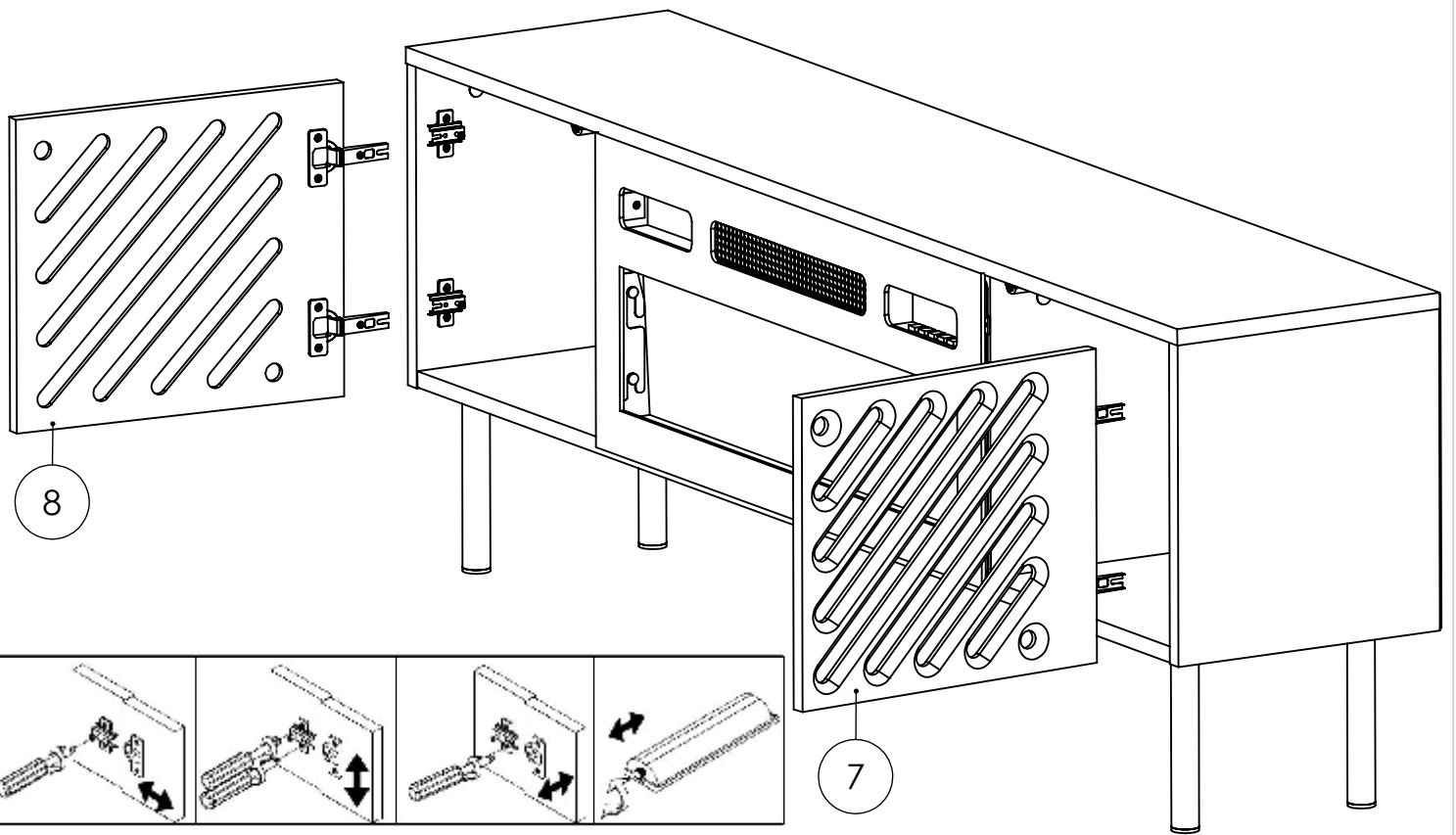
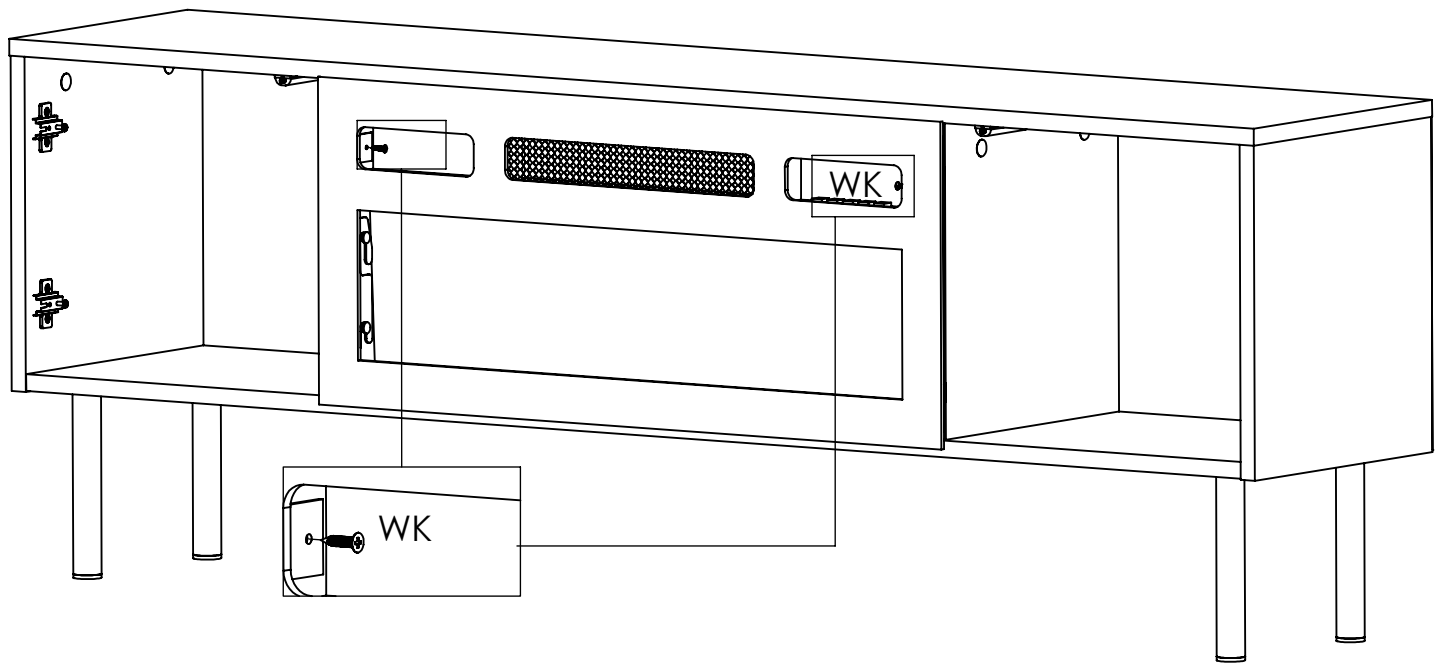
LEFT SIDE



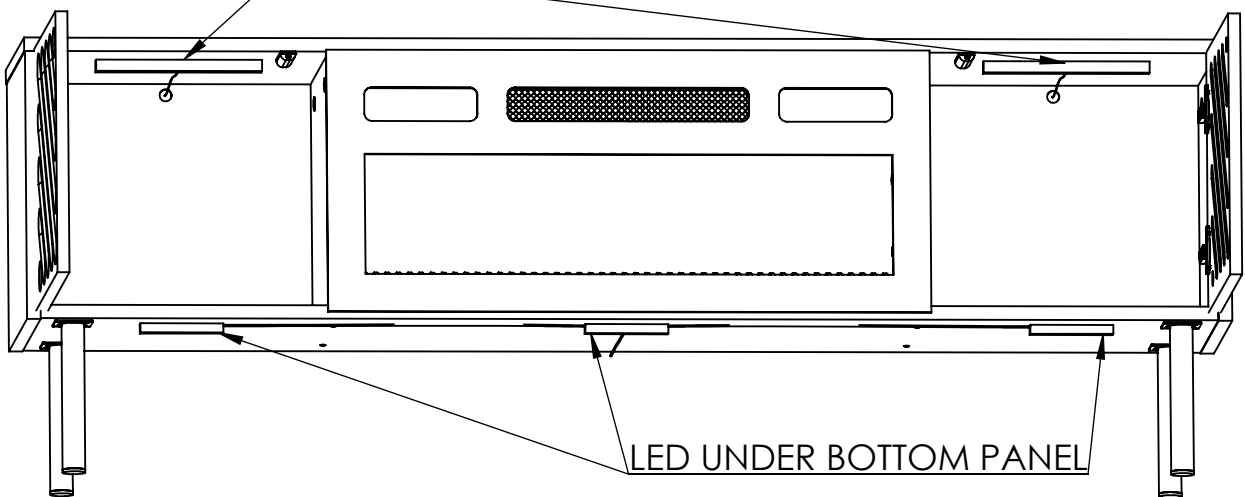
RIGHT SIDE





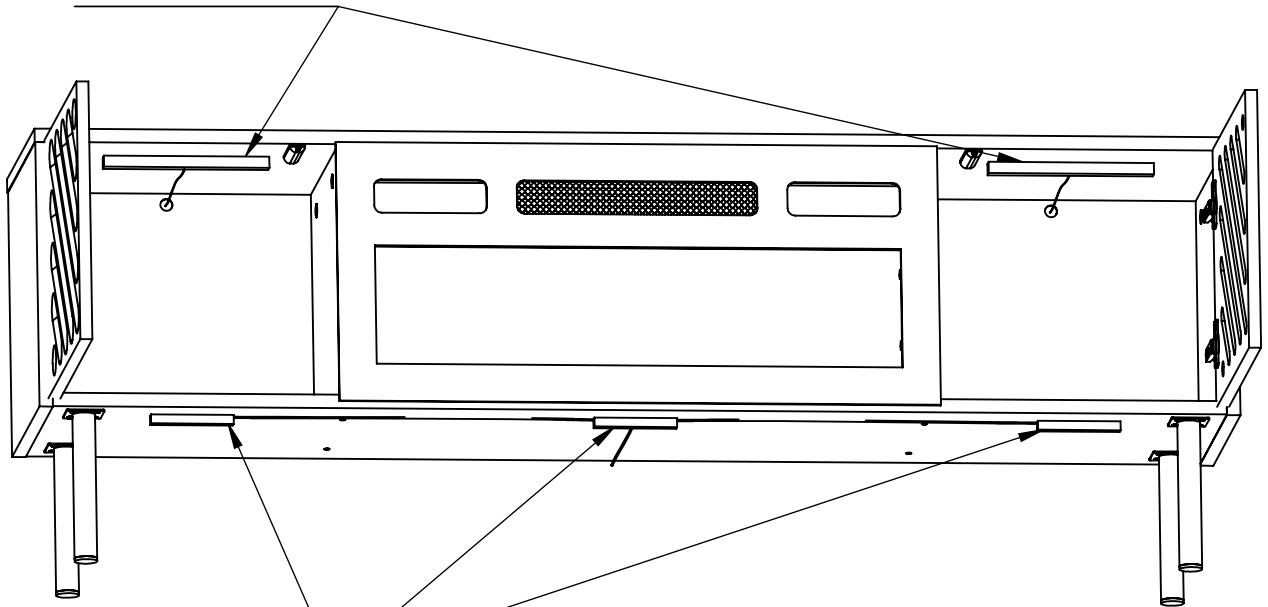


LED UNDER TOP



LED installation

LED UNDER TOP



LED UNDER BOTTOM PANEL