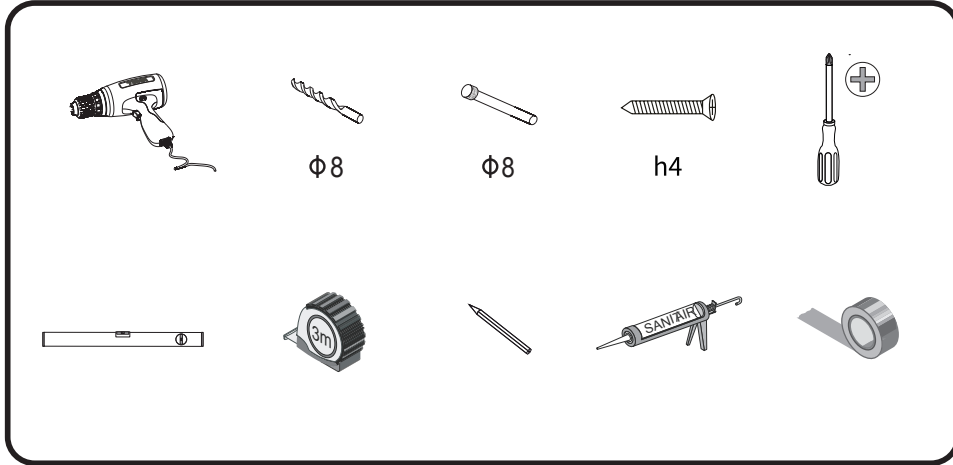




Installation Manual

1、 Parts List	01
2、 Installation instructions	03
3、 Installation Instructions	05
4、 Installation & adjustment of drawer	07
5、 The way to take off the drawer	08

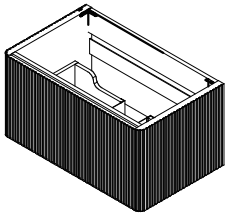
Tools List



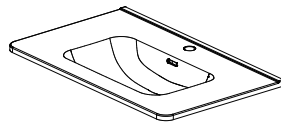
Parts List

Wall mounted system

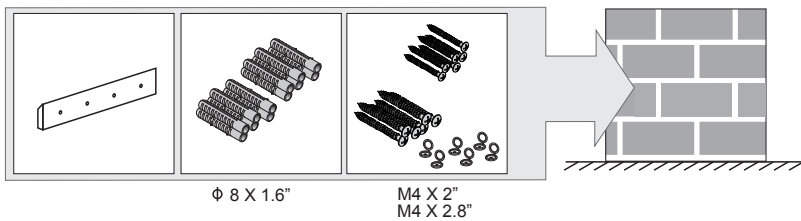
Cabinet



Basin



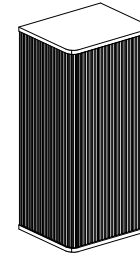
Fixed Accessories



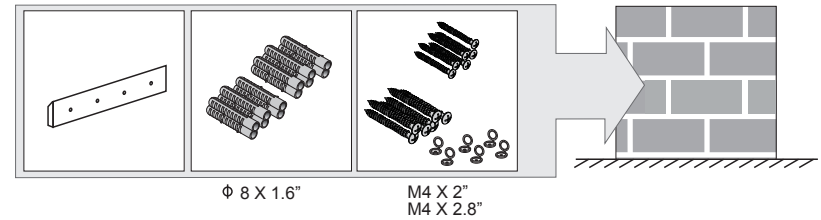
Parts List

Side Cabinet

Cabinet

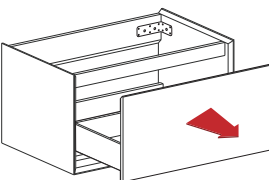
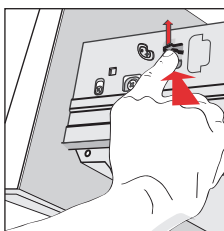
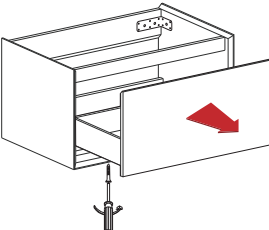
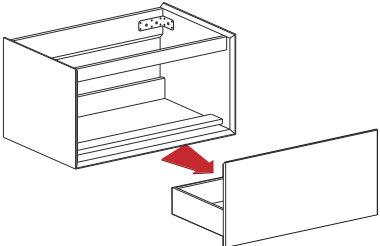
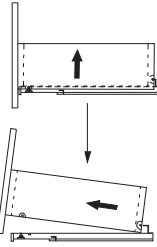


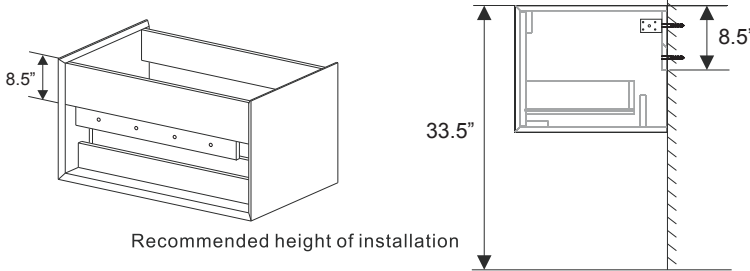
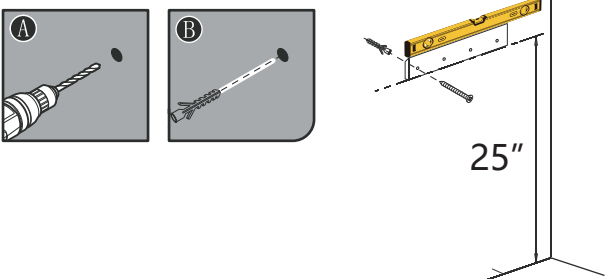
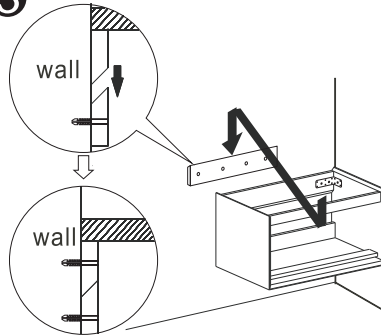
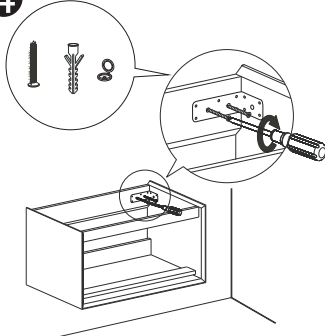
Fixed Accessories



Installation Instructions

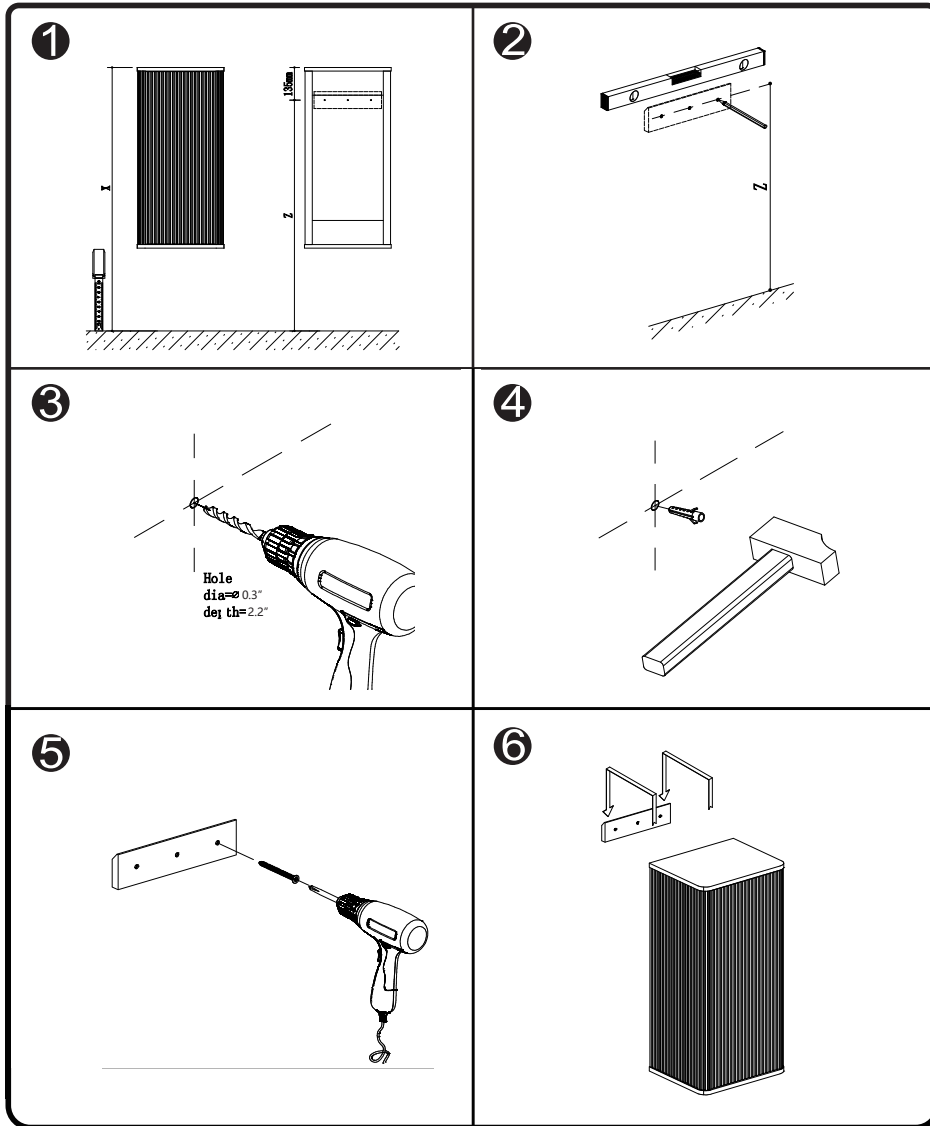
Wall mounted system

<p>1</p> 	<p>2</p>  <p>metal box</p>
<p>2</p>  <p>wooden drawer</p>	<p>3</p>  <p>metal box</p>
<p>3</p>  <p>wooden drawer</p>	<p>4</p> 

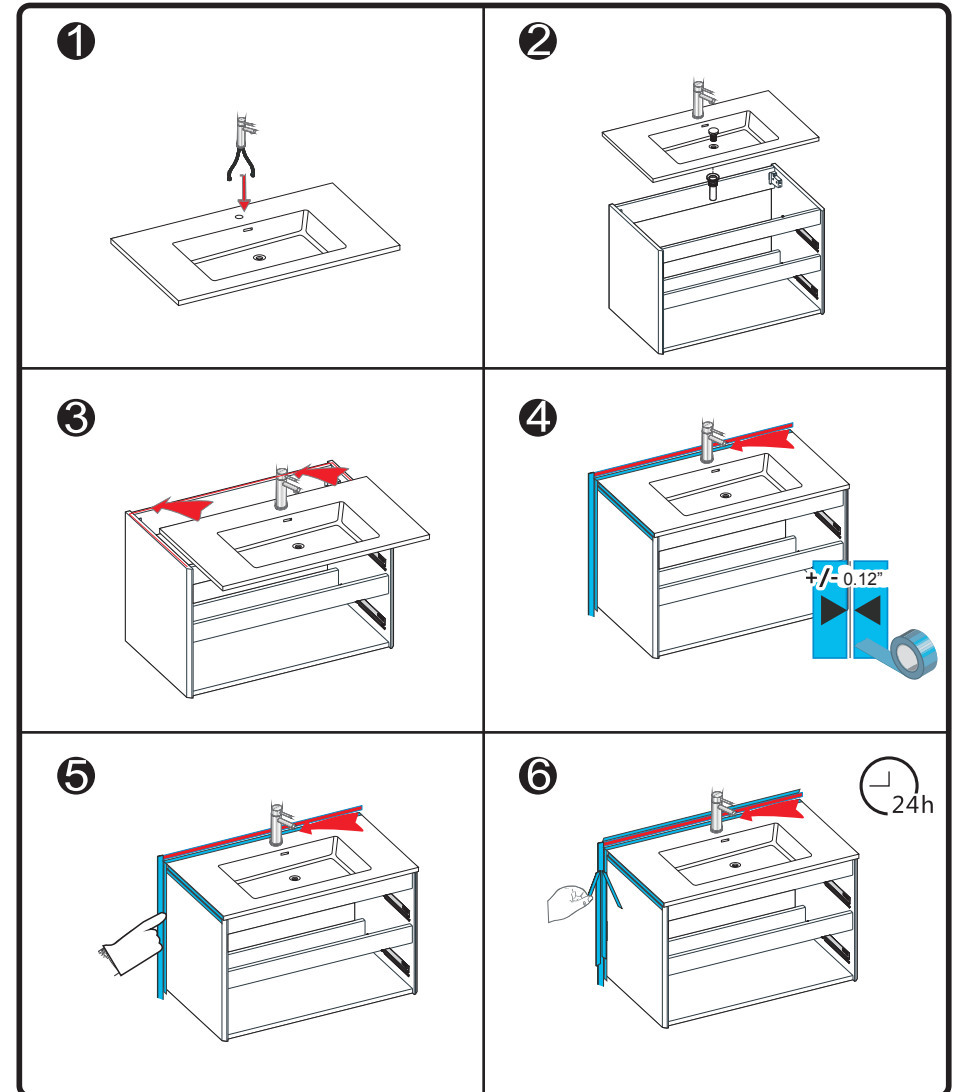
<p>1</p>  <p>8.5"</p> <p>33.5"</p> <p>8.5"</p> <p>Recommended height of installation</p>	
<p>2</p>  <p>A</p> <p>B</p> <p>25"</p>	
<p>3</p>  <p>wall</p> <p>wall</p>	<p>4</p> 

Installation Instructions

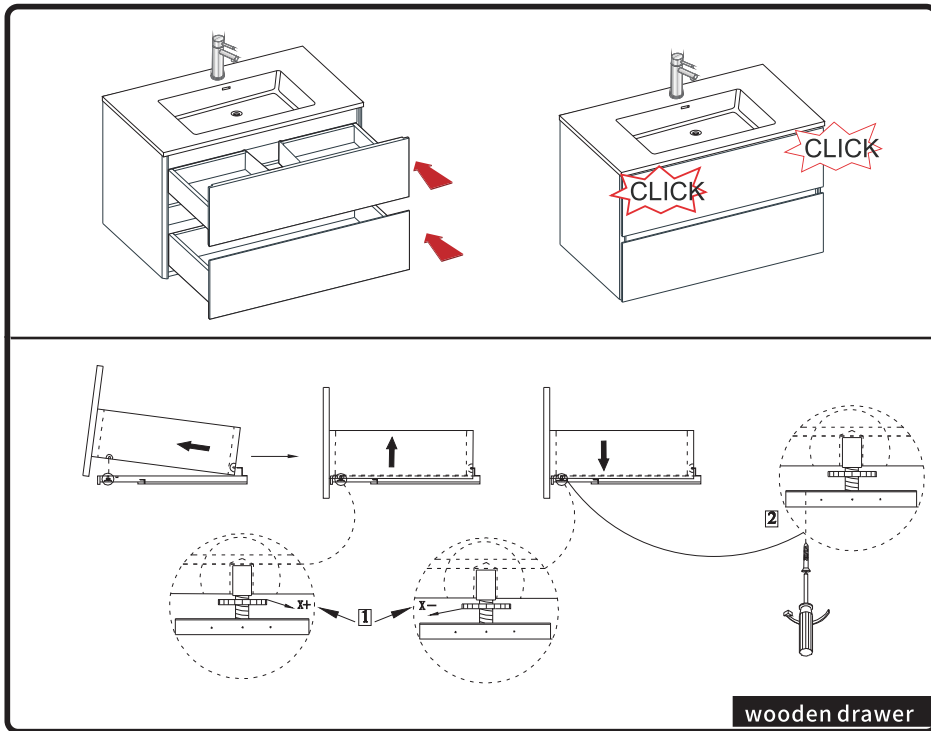
Side Cabinet



Installation Instructions



Installation & adjustment of drawer



The way to take off the drawer

