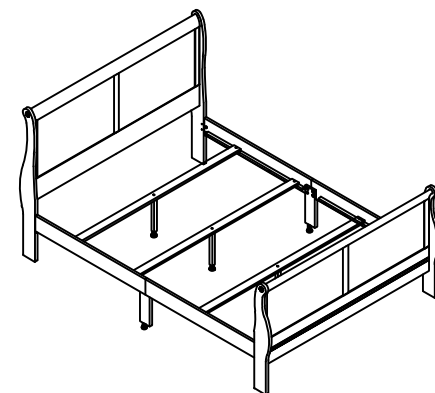
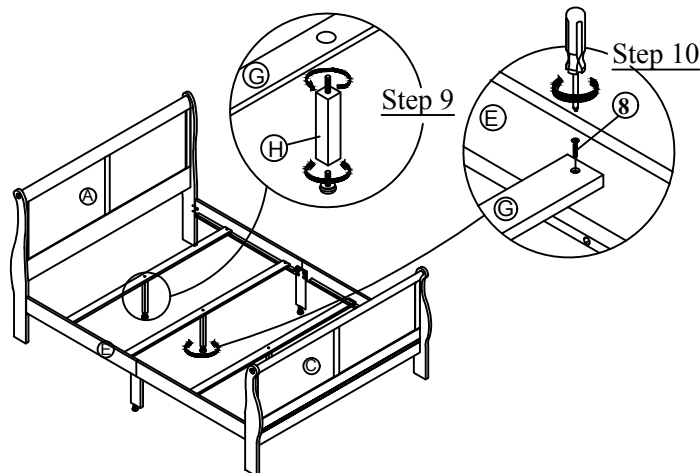
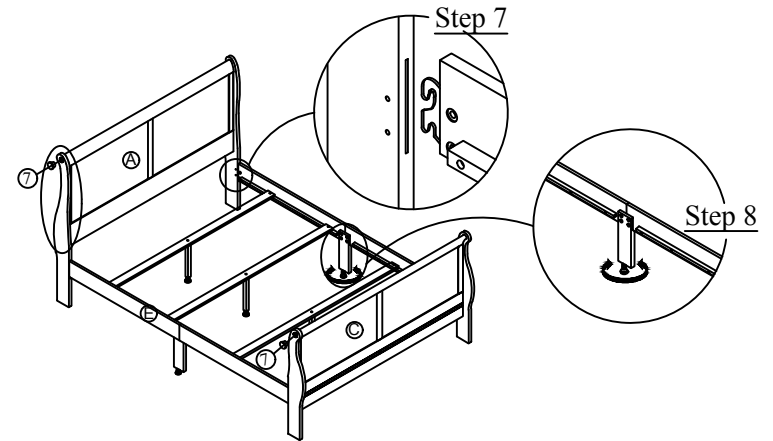
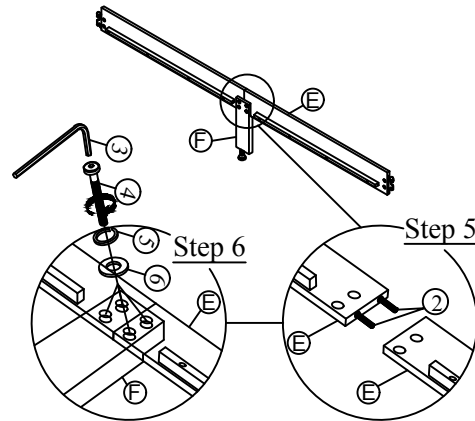
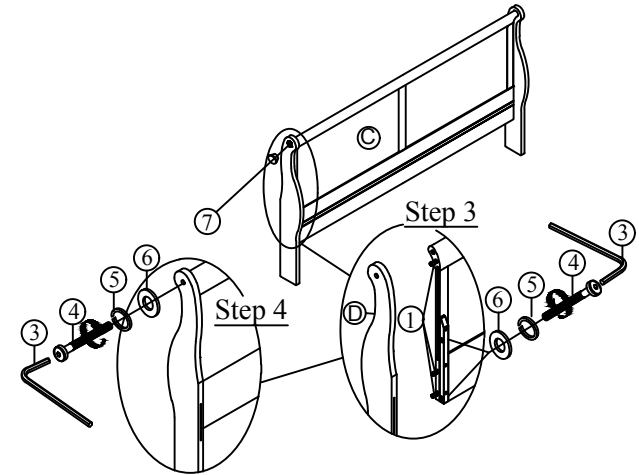
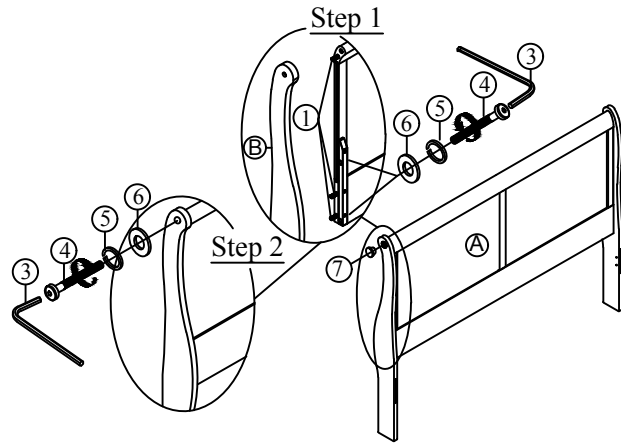


Assembly instruction

No.	Parts List	Q'Ty
A	Headboard	1 pc
B	HB Leg 2 pcs	2 pcs
C	Footboard	1 pc
D	FB Leg 2 pcs	2 pcs
E	Side rails	4 pcs
F	Rail Support Leg	2 pcs
G	Slats	3 pcs
H	Support Leg	3 pcs
No.	Hardware List	Q'Ty
1	Wood Dowel 10.7x30	12 pcs
2	Wood Dowel 10.7x60	4 pcs
3	ALLEN KEY (4mm*L57*22mm)	1 pc
4	BOLT (Ø1/4"*13*1-1/4")	20 pcs
5	SPRING WASHER (Ø1/4"*Ø10*1.2mm)	20 pcs
6	FLAT WASHER (Ø1/4"*Ø14*2mm)	20 pcs
7	Wood Plug 16.3x6mm	4 pcs
8	WOOD SCREW (#8*1-1/4")	6 pcs



MADE IN VIETNAM