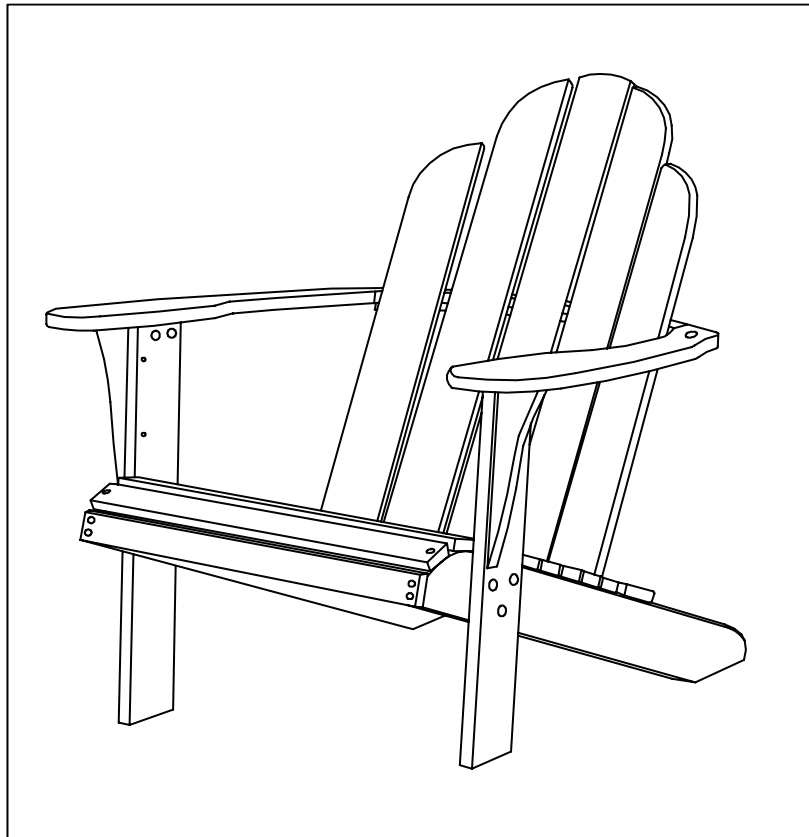


# ASSEMBLY INSTRUCTIONS

## CHAIR TEAK

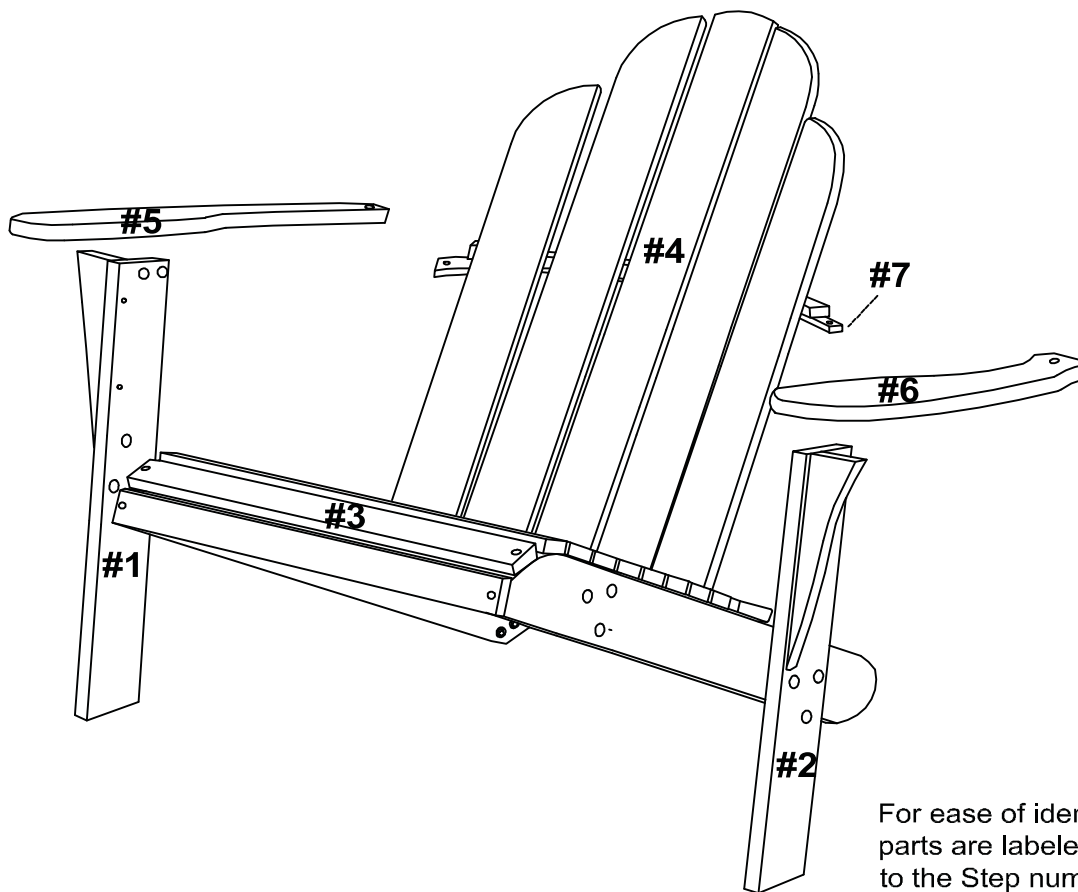


**We are here to help!**

We do our best to insure that your furniture arrives in excellent condition.

# PARTS IDENTIFICATION


ITEM	DESCRIPTION	QUANTITY
#1	LEFT FOOT	01
#2	RIGHT FOOT	01
#3	SEAT	01
#4	BACK REST	01
#5	LEFT ARM	01
#6	RIGHT ARM	01
#7	ARM SUPPORT BAR	01



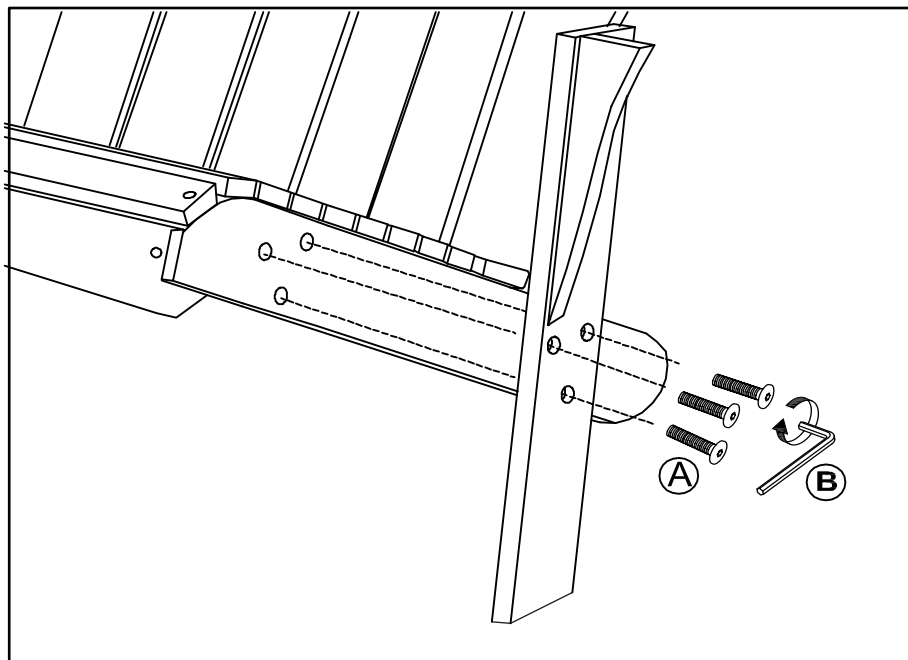
For ease of identification all parts are labeled to correspond to the Step number in which the part is used.

---

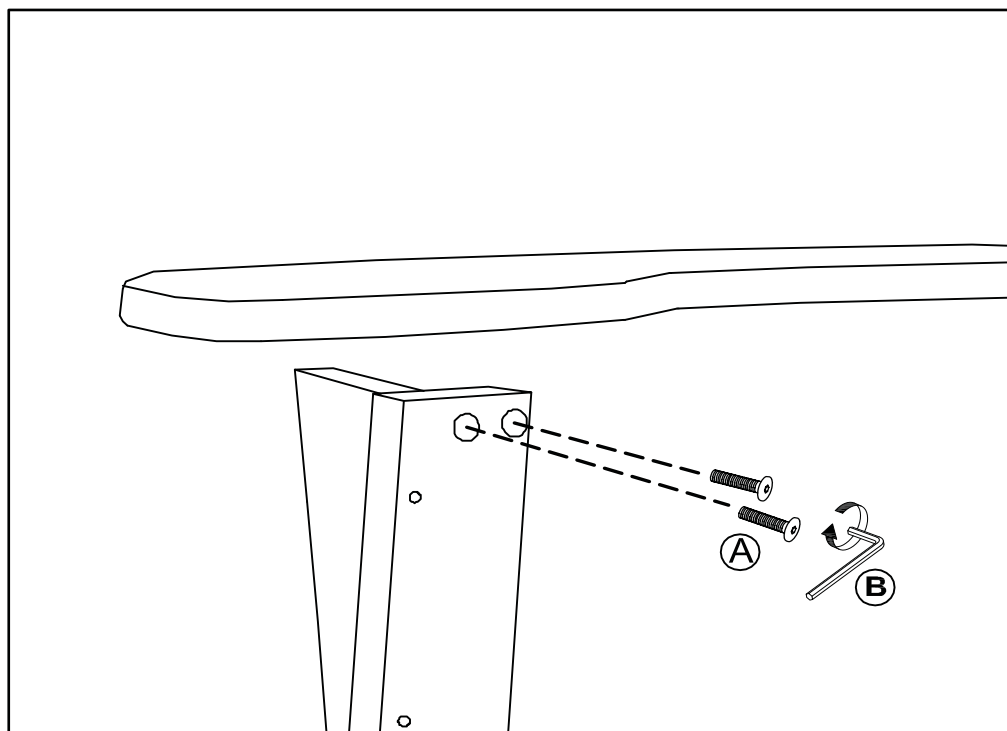
## HARDWARE IDENTIFICATION

ITEM	PICTURE	DESCRIPTION	QTY
A	 (Ø6mmx40mm)	BOLT	16
B		HEXAGONAL WRENCH	1

STEP 1.



STEP 2.



**IMPORTANT: DO NOT TIGHTEN BOLTS COMPLETELY UNTIL ALL BOLTS ARE COMPLETELY LINED UP AND INSERTED INTO HOLES.**

# STEP 3.

