

ASSEMBLY INSTRUCTIONS

Trundle Bed

MOD-7234, MOD-7235 / V0.07.03.25

modway



Questions? Contact us!
609.256.9000
cs@modway.com

Welcome.

Let's get started.

Before you begin, here are some things to keep in mind:

Assembly will take most people **about 30 minutes**. Consider having a friend help you!

Only use hand tools to assemble this item. Do not use power tools. Do not tighten bolts or screws completely until all hardware is lined up and inserted into the holes.

Read through all of the instructions before starting. Make sure you have all parts and components before discarding any packing materials.

Do not over-tighten screws and bolts to avoid stripping the hardware or cracking the item.

Assemble your item on a flat, carpeted area, with plenty of space to work. This will prevent damage and scratches to your floors or the item while you're assembling the product.

Keep all components and packaging out of reach of children or animals to avoid risk of choking or suffocation.



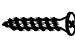

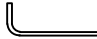

Care instructions are listed in the last step of this manual.

WAIT!

Missing parts or hardware? Need assistance?
Contact us before returning your item.
We're here to help!



HARDWARE INCLUDED IN THE BOX: FOR HEADBOARD

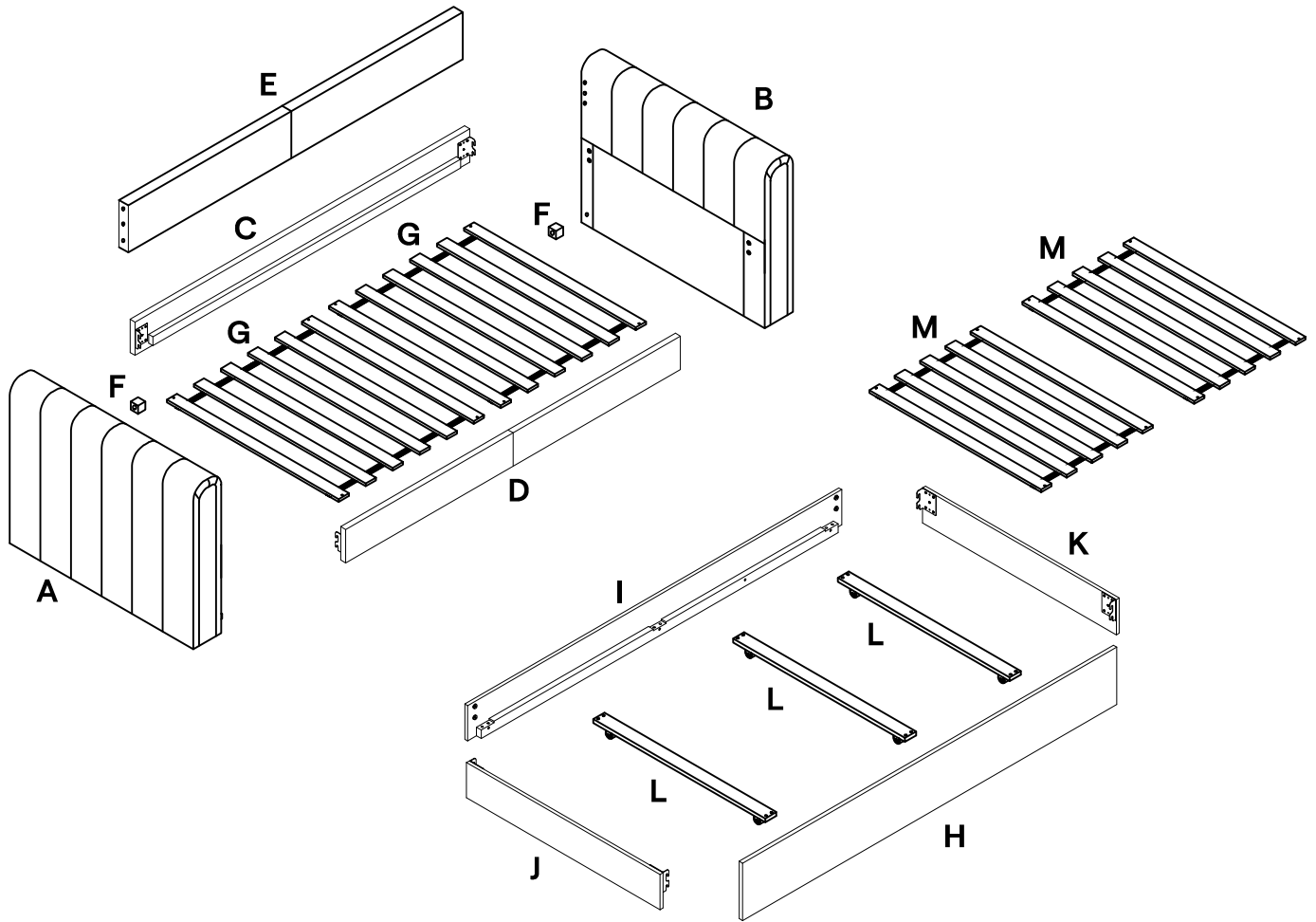
1		JCBC Bolt M6 x 40mm	x18
2		M6 Flat Washer	x4
3		Wood Screw M4 x 32mm	x16
4		Wood Dowel M8 x 30mm	x2
5		M4 Allen Key	x1
6		M5 Allen Key	x1

What you need:



Phillips Head Screwdriver

FURNITURE COMPONENTS INCLUDED IN THE BOX:



COMPONENTS CARTON PLACEMENT

Carton 1 of 3

Label	Description	Qty
A	Arm (Left)	x1
B	Arm (Right)	x1
	Hardware Pack	x1

Carton 2 of 3

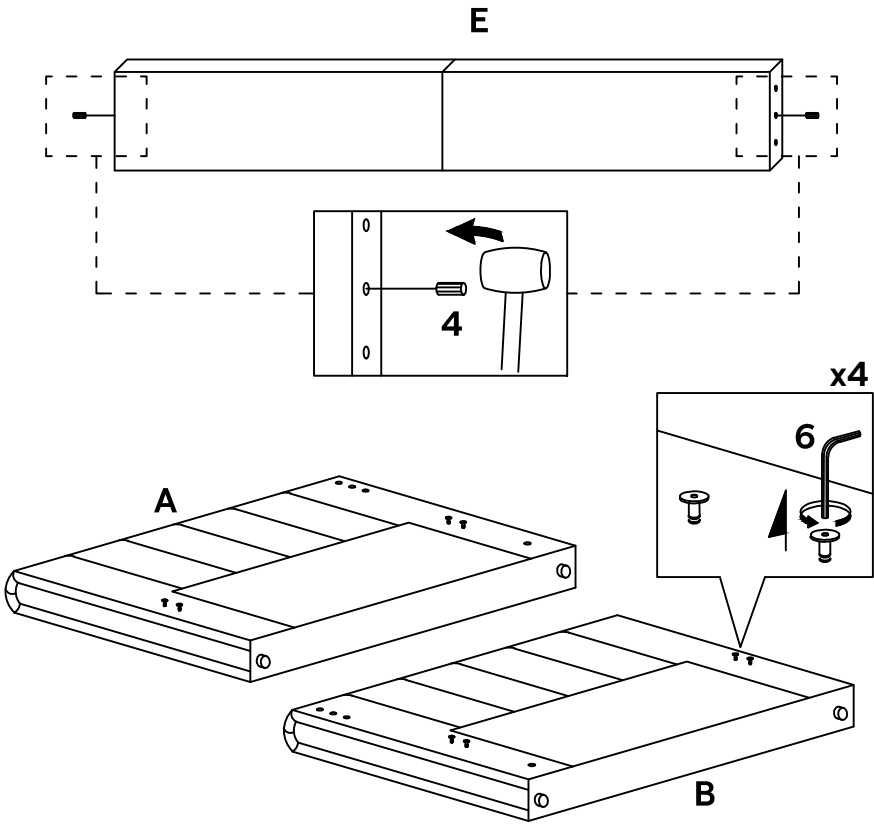
Label	Description	Qty
C	Side Rail (Back)	x1
D	Side Rail (Front)	x1
E	Back Rest	x1
F	Arm Support Wood	x2
G	Bed Slat	x2

Carton 3 of 3

Label	Description	Qty
H	Trundle Front	x1
I	Trundle Back	x1
J	Trundle Left	x1
K	Trundle Right	x1
L	Trundle Slat (1)	x3
M	Trundle Slat (2)	x2

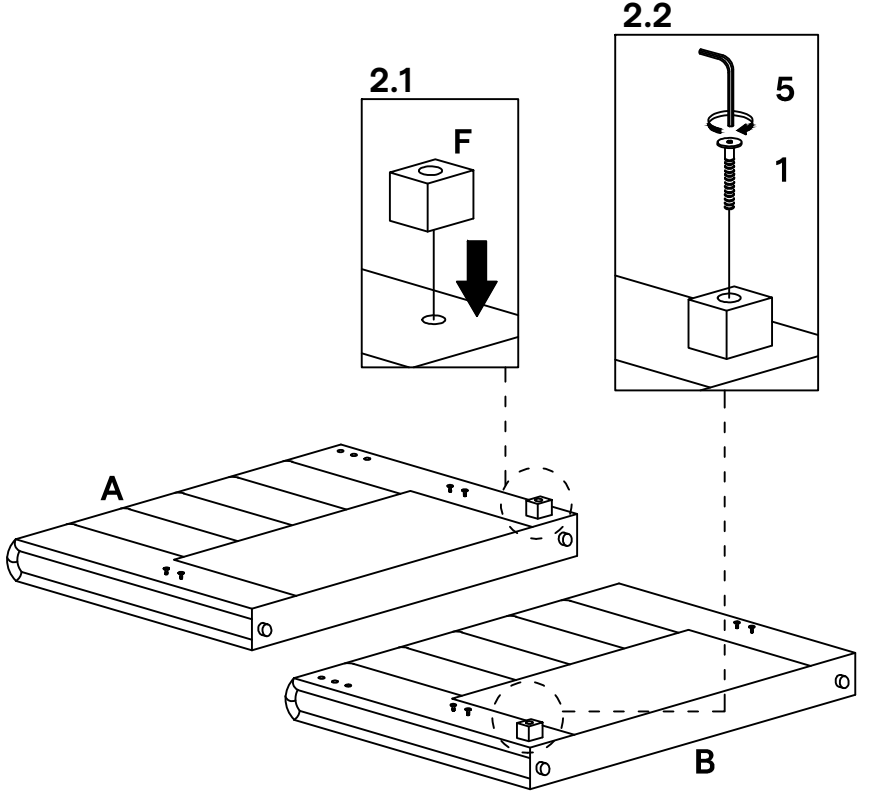
STEP 01

- HARDWARE**
- 4** Wood Dowel M8 x 30mm x2
 - 6** M5 Allen Key x1
- COMPONENTS**
- A** Arm (Left) x1
 - B** Arm (Right) x1
 - E** Back Rest x1



STEP 02

- HARDWARE**
- 1** JCBC Bolt M6 x 40mm x2
 - 5** M4 Allen Key x1
- COMPONENTS**
- A** Arm (Left) x1
 - B** Arm (Right) x1
 - F** Arm Support Wood x2



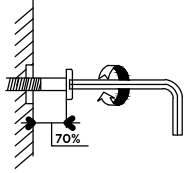
STEP 03

HARDWARE

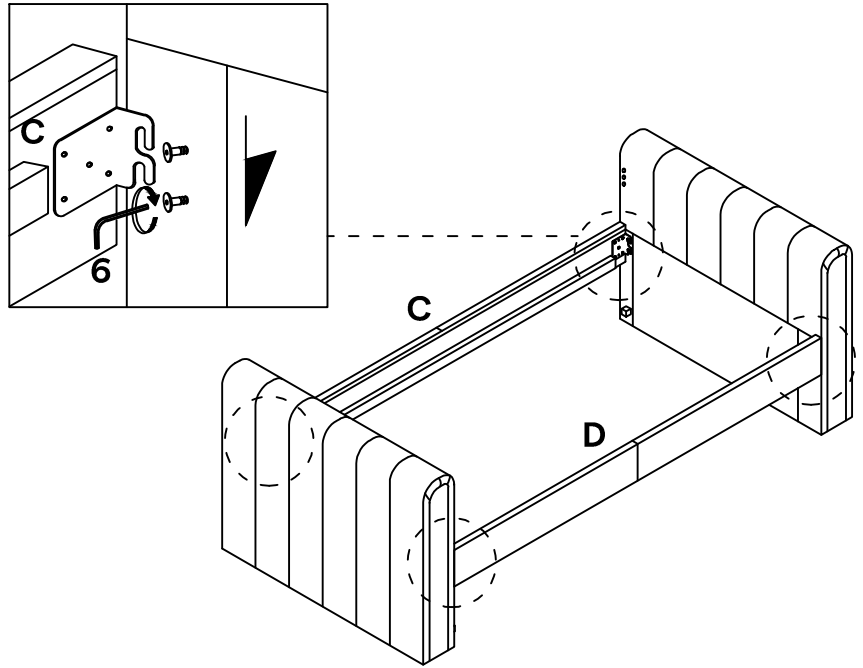
- 6** M5 Allen Key x1

COMPONENTS

- C** Side Rail (Back) x1
- D** Side Rail (Front) x1



NOTE: Do not fully tighten the bolt



STEP 04

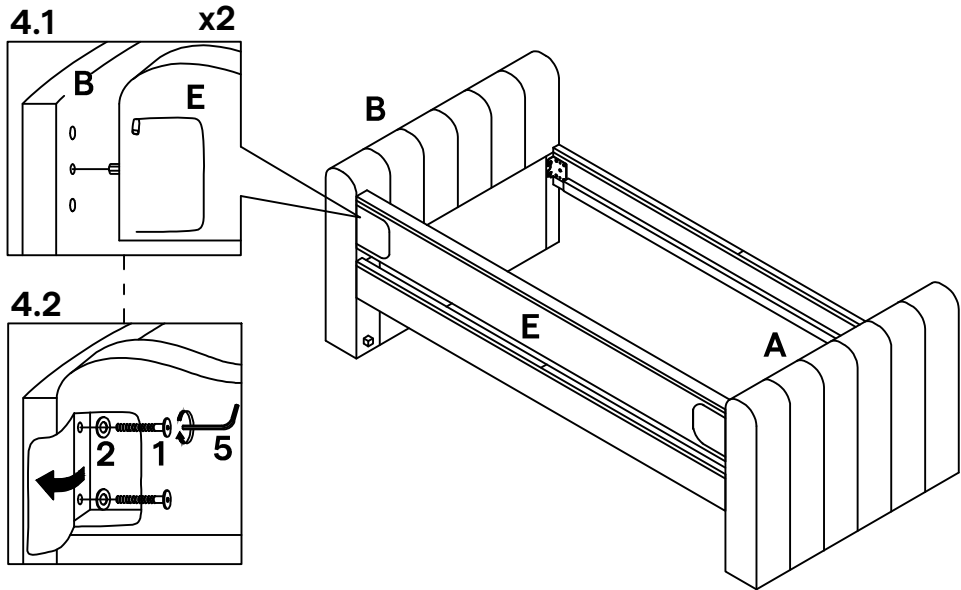
HARDWARE

- 1** JCBC Bolt M6 x 40mm x4
- 2** M6 Flat Washer x4
- 5** M4 Allen Key x1

COMPONENTS

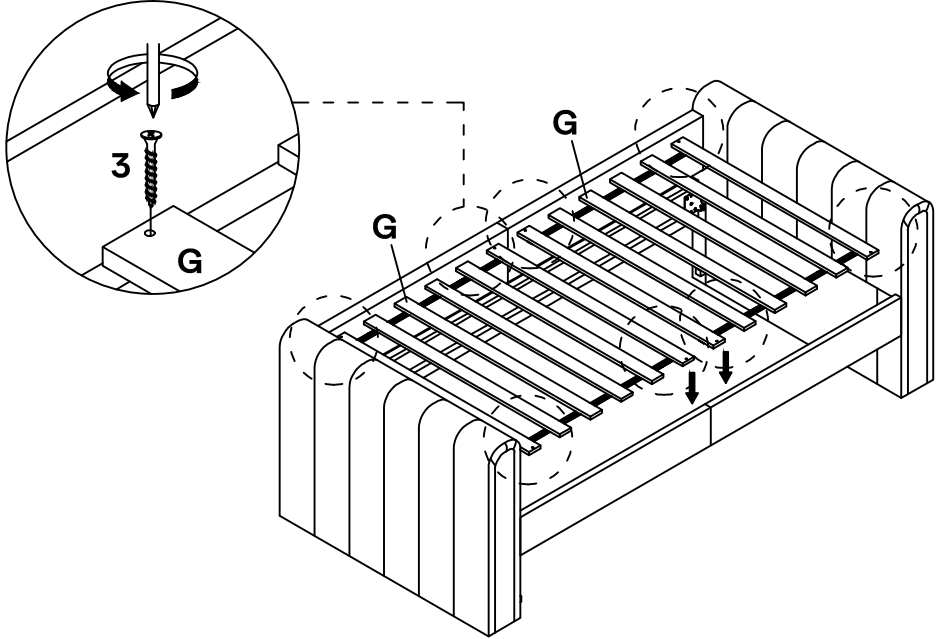
- A** Arm (Left) x1
- B** Arm (Right) x1
- E** Back Rest x1

NOTE: Fully tighten the bolt 100%



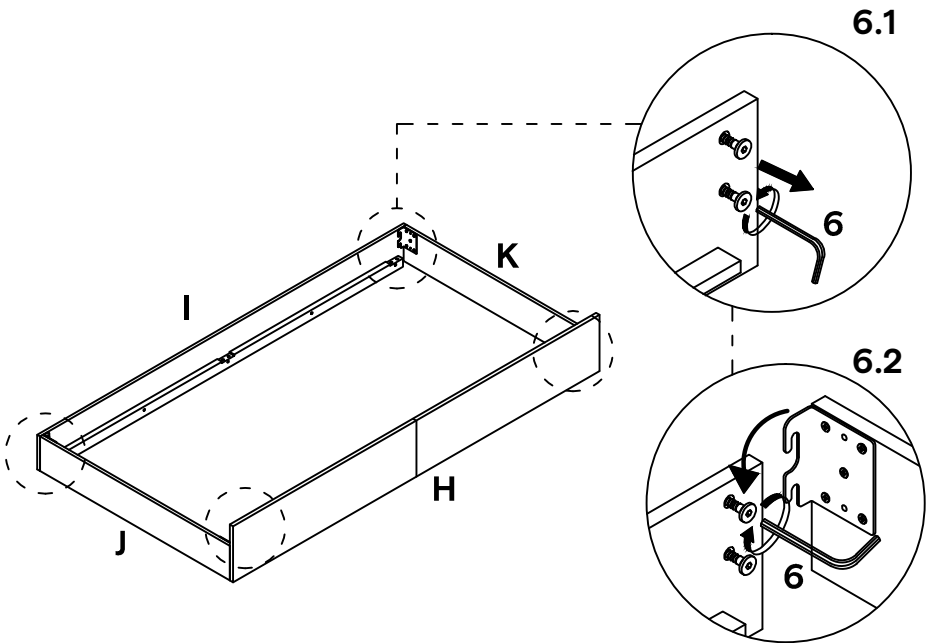
STEP 05

- HARDWARE**
- 3** Wood Screw M4 x 32mm x8
- COMPONENTS**
- G** Bed Slat x2



STEP 06

- HARDWARE**
- 6** M5 Allen Key x1
- COMPONENTS**
- H** Trundle Front x1
 - I** Trundle Back x1
 - J** Trundle Left x1
 - K** Trundle Right x1



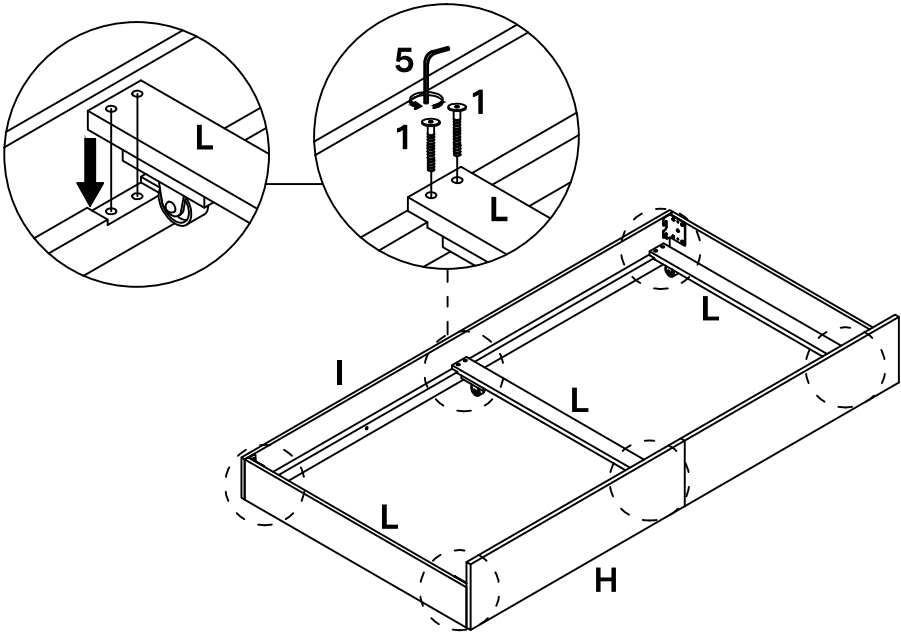
STEP 07

HARDWARE

- 1 JCBC Bolt M6 x 40mm x12
- 5 M4 Allen Key x1

COMPONENTS

- H Trundle Front x1
- I Trundle Back x1
- L Trundle Slat (1) x3



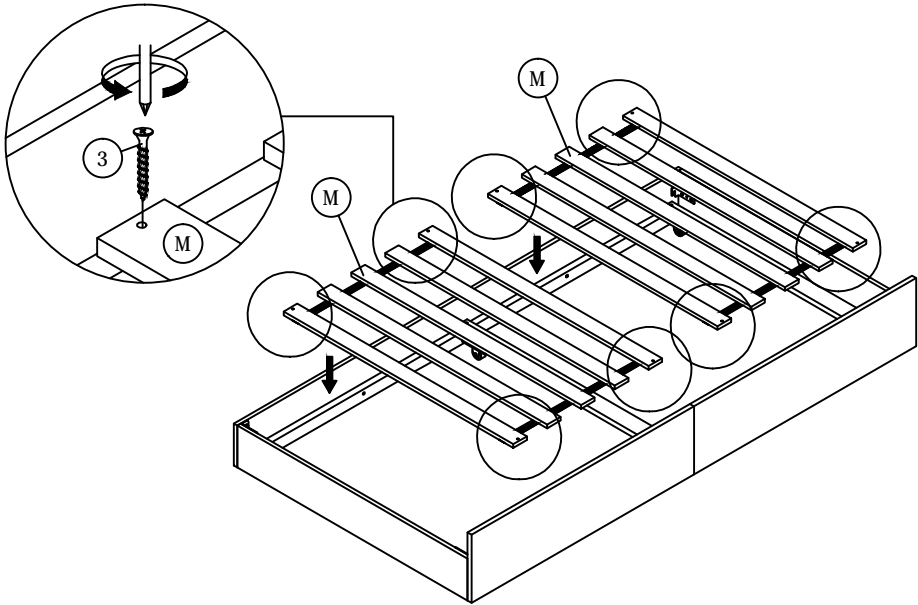
STEP 08

HARDWARE

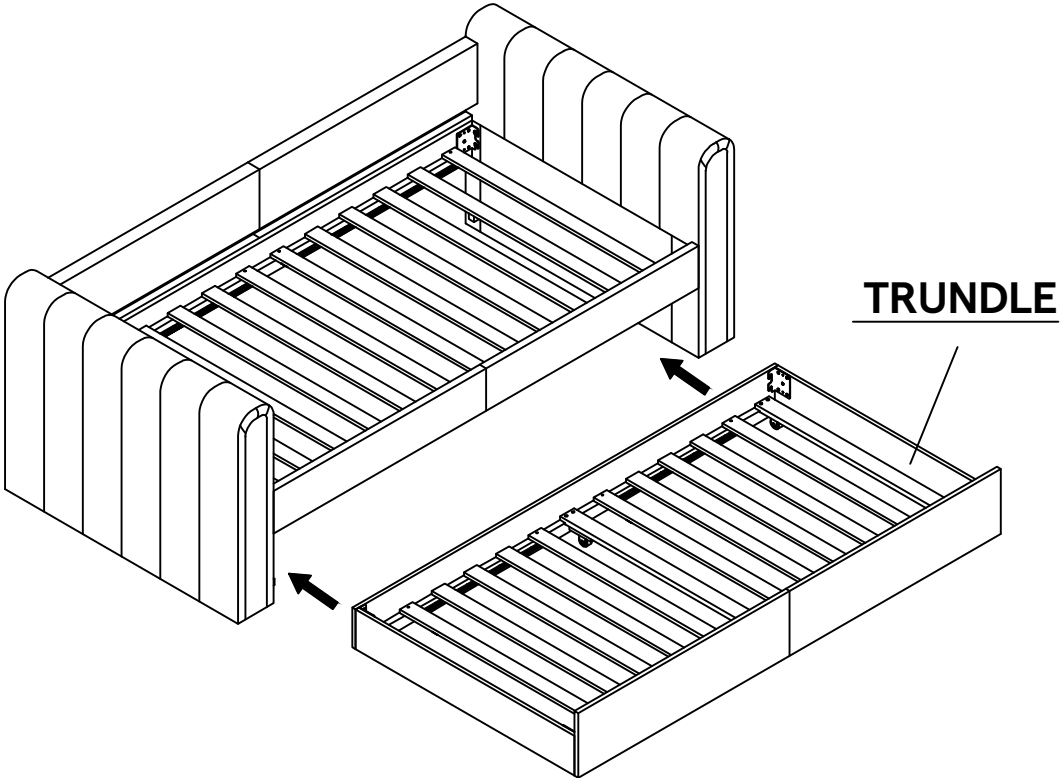
- 3 Wood Screw M4 x 32mm x8

COMPONENTS

- M Trundle Slat (2) x2



STEP 09

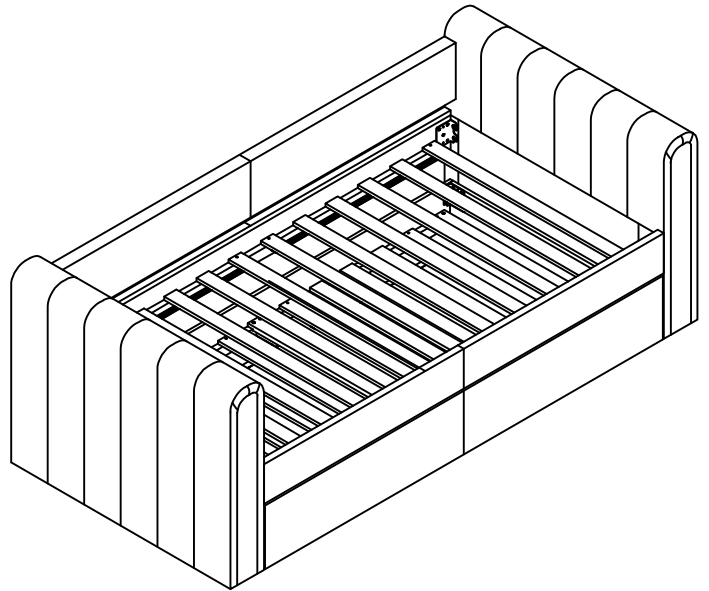


Great job!

Trundle Bed assembly is complete.

CARING FOR YOUR ITEM

- Indoor use only.
- Not contract grade.
- Clean using a non-abrasive cloth and a mild cleaner.
- Never use harsh chemicals, as they could damage the finish or integrity of the item.



CONNECT WITH US!

Tag us [@modway_furniture](#) and [#modway](#) for a chance to be featured.

modway



Questions? Contact us!
609.256.9000
cs@modway.com