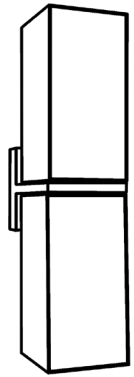


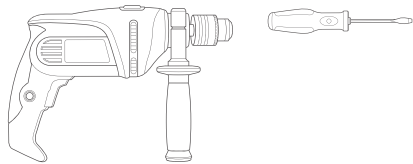
Parts Included :



- 1 Wire Connector Nuts
- 2 Fixture Mounting
- 3 Screws on the Main Body
- 4 Main Body
- 5 Wall Anchors and Screws

Tools you will need:

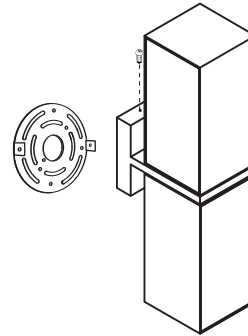
- 1 Power Drill
- 2 Screwdriver



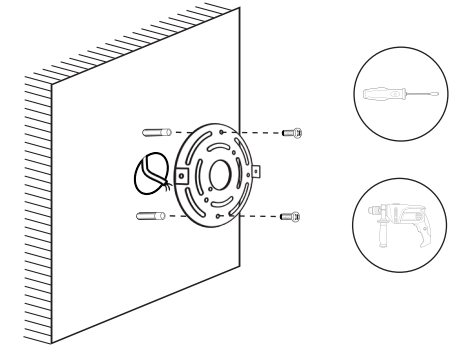
Wire Connection Note:

White will be your Neutral Wire connection, Black will be your Live Wire connection and Green will be your Ground Wire connection.

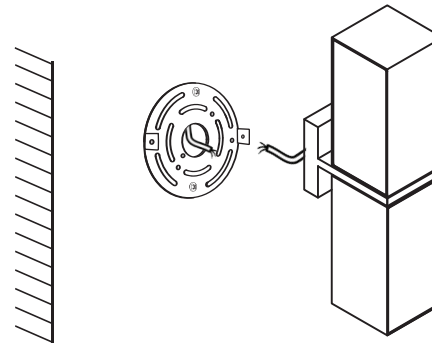
Step by Step Installation Guide



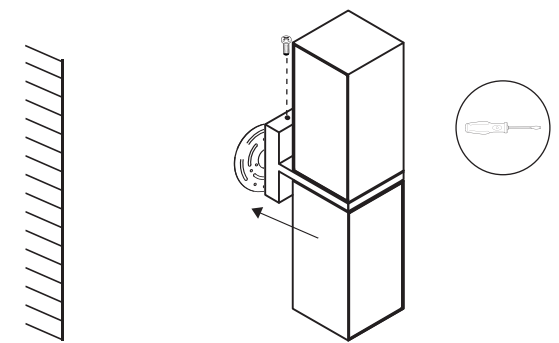
- 1 Remove the fixture mounting bracket from the lamp.



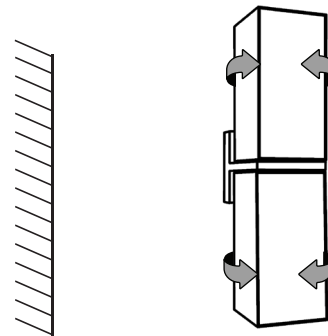
- 2 Position the fixture bracket leveling the lamp connectors, drill 2 holes and put the anchors. Screw in the mounting bracket into the wall. and run the cable through the middle.



- 3 With the power shut off connect the wires using wire nuts or wire tape.



- 4 Fix the main body of the lamp into the mounting bracket by using the screwdriver.



- 5 The wall lamp is successfully installed. Adjust the LED panel to your desired angle.

Thank you for your purchase of our exclusive product. For your safety, please entrust a professional to install.



Be sure to cut off power
TO PREVENT ELECTRIC SHOCK