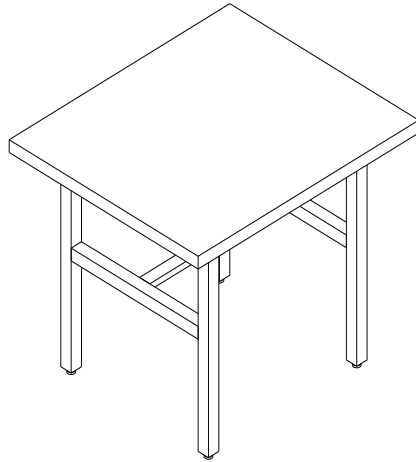


Counter Height Dining Table

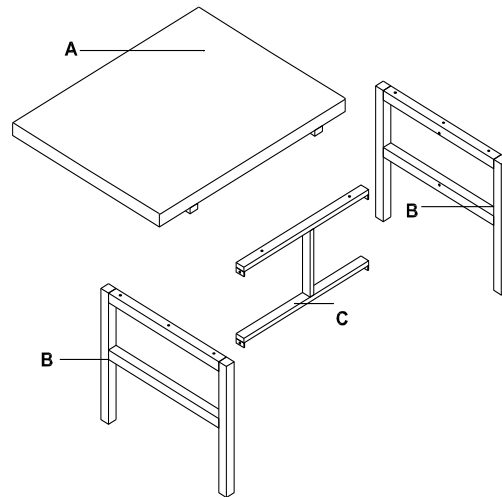


Thank you for purchasing our Counter Height Dining Table. **We have found it helpful to have a second person present in at least one step of the assembly.**

Assembly Instructions

Lay out all parts on a "non-abrasive" surface to avoid scratching furniture.

No.	Drawing	Description	Qty.
A		Top	1
B		Metal Sides	2
C		Central Support Rails	1
D		70mm Bolt	6
E		45mm Bolt	2
F		20mm Bolt	4
G		Wrench	1



Step 1

Read through these instructions thoroughly before beginning assembly. We have found this to be of great value when first assembling this product.

Step 2

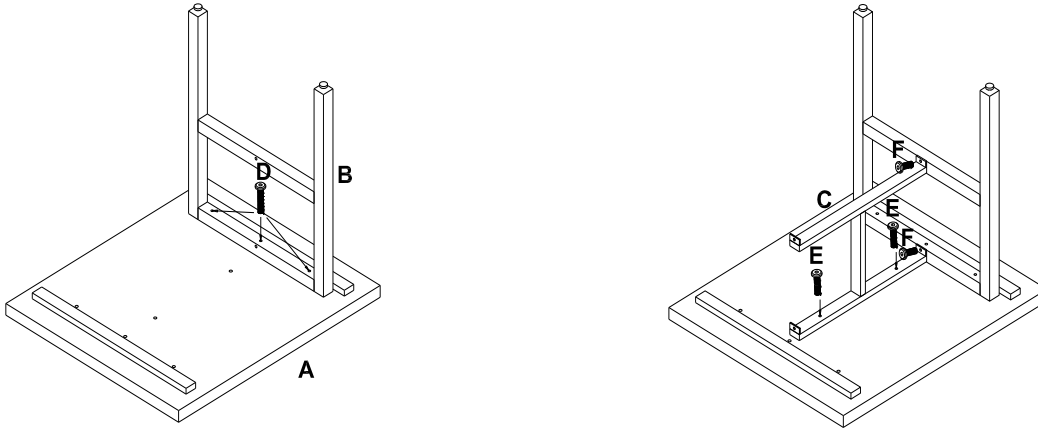
Remove all parts and hardware from packing material. Wooden pieces should be placed on a non abrasive surface (like the carton or carpet) to prevent damage to the finish.

Step 3 and Step 4

Lay Top (A) upside down and attach 1 Metal Sides (B) with 3 6M x 70mm Bolts (D).

Attach Center Support Rails (C) to Top (A) with 2 6M x 45mm Bolts (E) and to the Metal Side (B) with 2 6M x 20mm Bolts (F).

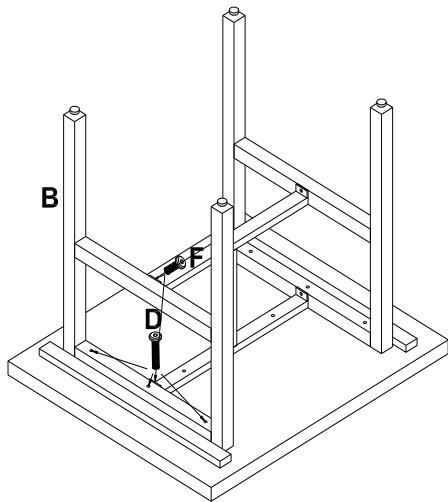
DO NOT TIGHTEN FIRMLY AT THIS TIME.



Step 5

Note: It will help to have a second person at this time to assist in assembly.

Attach the other Metal Side (B) to Top with 3 6M x 70mm Bolts (D) and Center Support Rails (C) with 2 6M x 20mm Bolts (F).



TIGHTEN ALL BOLTS FIRMLY AT THIS TIME.

With Assistance turn the table over.

CARE

Clean with mild soap and wipe dry.
