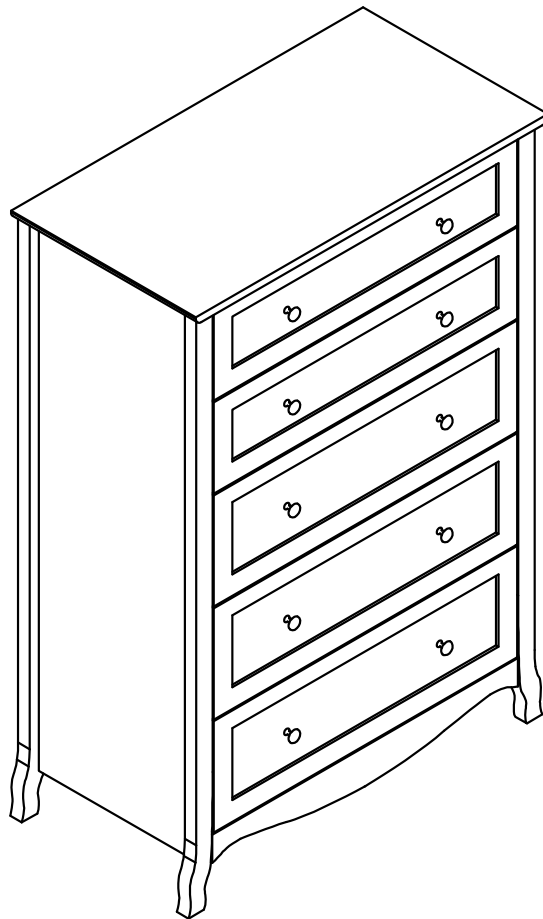


ASSEMBLY INSTRUCTION

FIVE DRAWER CABINET



⚠ IMPORTANT

THIS INSTRUCTION BOOKLET CONTAINS IMPORTANT SAFETY INFORMATION.
PLEASE READ AND KEEP FOR FUTURE REFERENCE.

WARRANTY

Thank you for choosing our product!

We would like to take this opportunity to thank you for choosing us.

We hope that you are completely satisfied with your purchase, and enjoy it for years to come.

Warranty

We warrants this product to be free from defects in material and workmanship agrees to remedy any such defect. This warranty covers one year from the date of original purchase. This is solely limited to be repair or replacement of defec-tive parts and no assembly labor is included.

This warranty does not apply to any product which has been improperly assembled, subjected to misuse or abuse or which has been altered or repaired in any way.

Components repaired or replaced warranted through the remainder of the original warranty period only. The defective components will be repaired or replaced without charge, subject to the terms and conditions described above.

For help with assembly, identifying parts, product information or to order parts, please contact us freely.

BEFORE STARTING

Before Using Product



- Read each step carefully before starting. It is very important that each step is performed in the correct order. If these steps are not followed in sequence, assembly difficulties will occur.



- Make sure all parts are included. Most board parts are labeled or stamped on the raw edge.

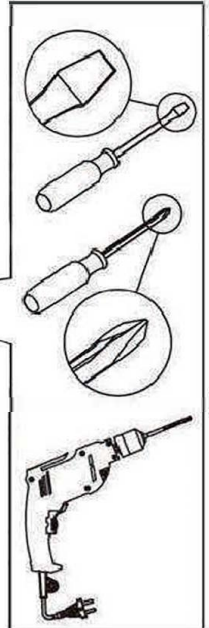
- Prepare a flat and Philips screwdriver (not included) A Power Screwdriver is recommended.



- Work in a spacious area and near where the unit will be used, preferably on a carpet, or use a piece of the cardboard packaging to protect your floor and product.



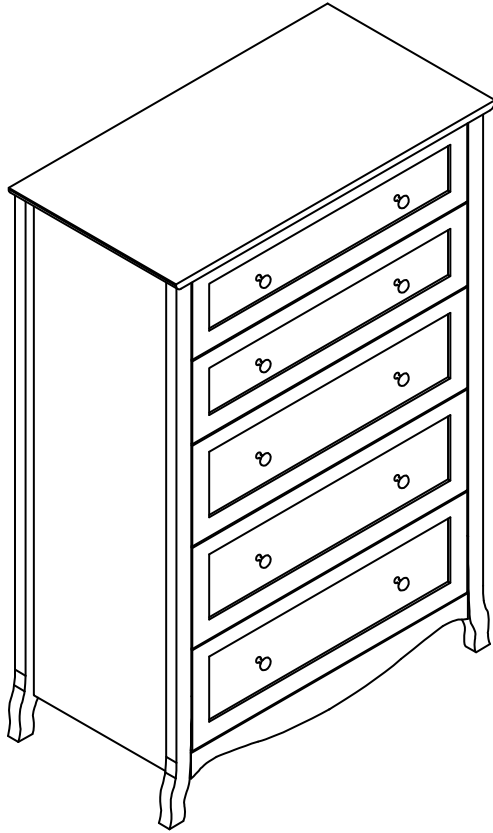
- For a smooth assembly process, we suggest you keep a lite tightness for all the screws during assembly. After the whole product is assembled, firmly tighten all the screws.



! WARNING :

- Do not allow children to climb on unit
- Serious or fatal crushing injuries can occur from furniture tip-over. To prevent this furniture from tipping over, it must be permanently fixed to the wall. Fixing devices for the wall are not included since different wall materials require different types of fixing devices. Use fixing devices suitable for the walls in your home. For advice on suitable fixing systems, contact your local specialized dealer
- Avoid sharp objects or corrosive chemicals to prevent damage to the product
- During assembly, keep parts and packaging materials away from children and pets as there could be potential injury and choking hazards

ASSEMBLY TIPS



OVERALL SIZE:

76 x 40 x 113 cm (L x W x H)

29.9 x 15.7 x 44.4 inch (L x W x H)

FEATURES:

White Painting Surface

Dual-Size Drawers

Gracefully Curved Legs



Estimated Time for Assembly

120-150 mins



Estimated People For Assembly

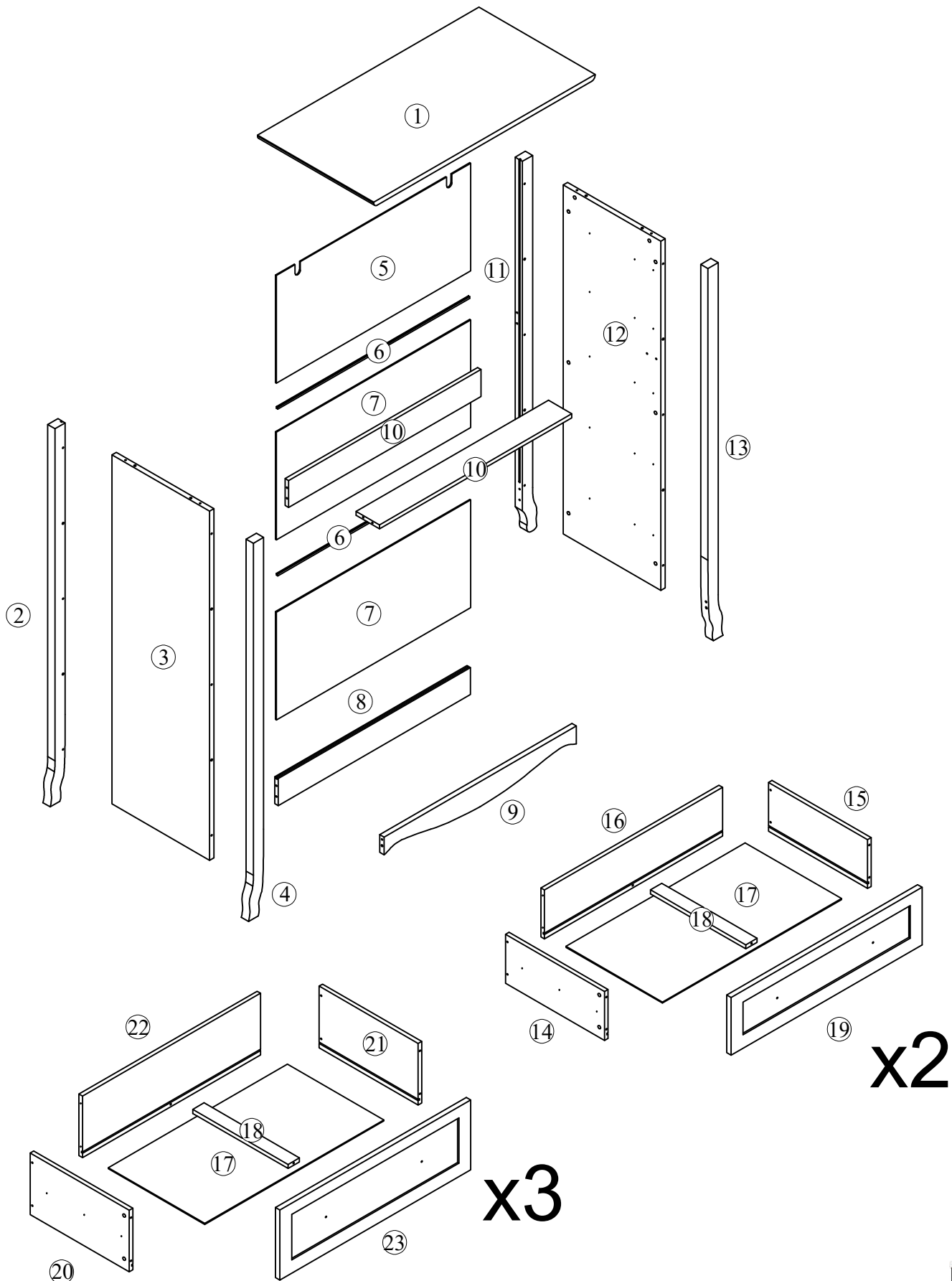
2

Caution:

1. This product is designed for home use and not intended for commercial use.
2. This product contains small components. Please ensure that they are kept away from small children.
3. Be careful when using power tools to assemble your furniture. Power tools may strip or damage the parts.

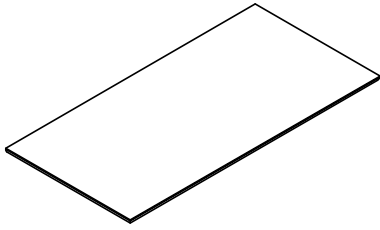
IDENTIFY PARTS

One unit per box



COMPONENTS

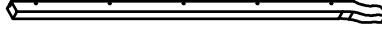
1



759x399x15mm

Top Panel x1

2



1115x52x25mm

Left Hind Leg x1

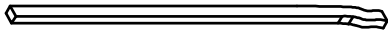
3



1036x335x15mm

Left Side Panel x1

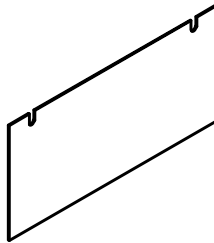
4



1115x52x25mm

Left Foreleg x1

5



667x320mm

Upper Back Panel x1

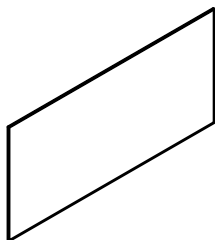
6



659mm

Plastic Strip x2

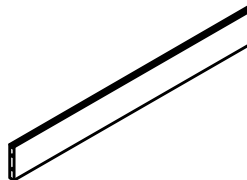
7



667x320mm

Lower Back Panel x2

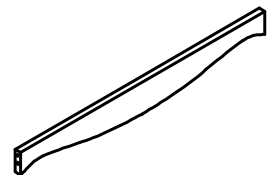
8



660x79x12mm

Wood Strip x1

9

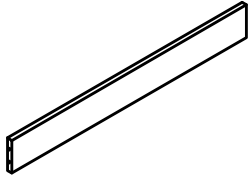


660x75x15mm

Wood Strip x1

COMPONENTS

10



660x79x12mm

Wood Strip x2

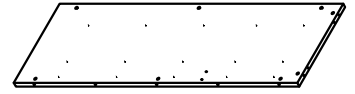
11



1115x52x25mm

Right Hind Leg x1

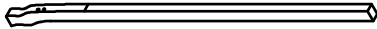
12



300x500x30mm

Right Side Panel x1

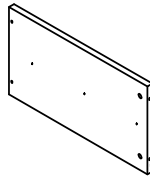
13



1115x52x25mm

Right Foreleg x1

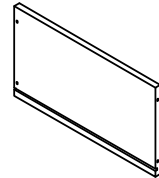
14



340x144x12mm

Upper Drawer Left Side Panel x2

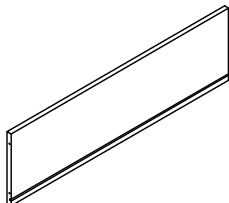
15



340x144x12mm

Upper Drawer Right Side Panel x2

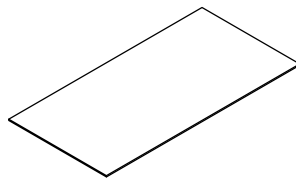
16



611x144x12mm

Upper Drawer Back Panel x2

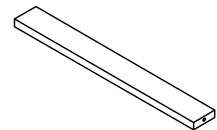
17



618x334mm

Drawer Bottom Panel x5

18

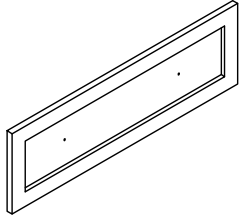


327x39x12mm

Drawer Bottom Support Bar x5

COMPONENTS

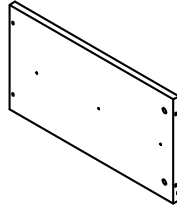
19



654x170x15mm

Upper Drawer Front Panel x2

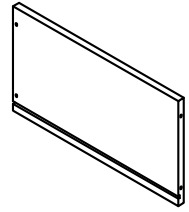
20



340x182x12mm

Lower Drawer Left Side Panel x3

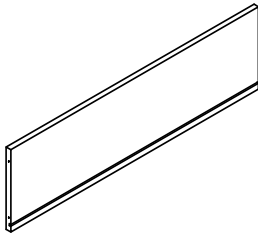
21



340x182x12mm

Lower Drawer Right Side Panel x3

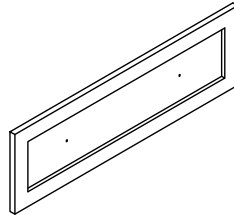
22



611x182x12mm

Lower Drawer Back Panel x3

23



654x207x15mm

Lower Drawer Front Panel x3

COMPONENTS

A



+5(spare)

Φ6X35mm

Cam Bolt x55

B



+5(spare)

Φ15X10mm

Cam Lock x55

C



+2(spare)

Φ6X30mm

Wood Dowel x14

D

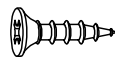


+2(spare)

Φ4X35mm

Screw x25

E

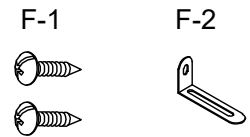


+6(spare)

Φ3X12mm

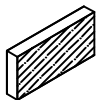
Screw x60

F



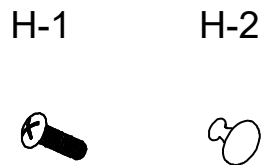
Φ4X12mm
Screw & L-Shaped Bracket x2

G



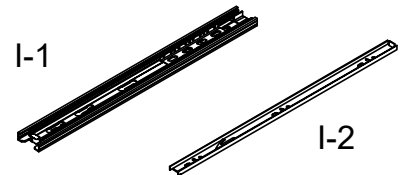
Anti-Slip Pad x4

H



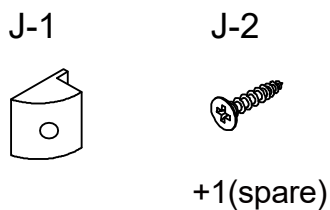
Φ4X8mm
Knob Screw & Knob x10

I



330mm
Drawer Slide x10

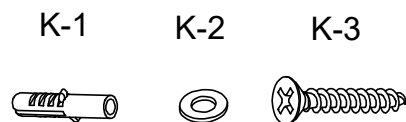
J



Φ3X16mm

Mending Wedge, Screw x12

K

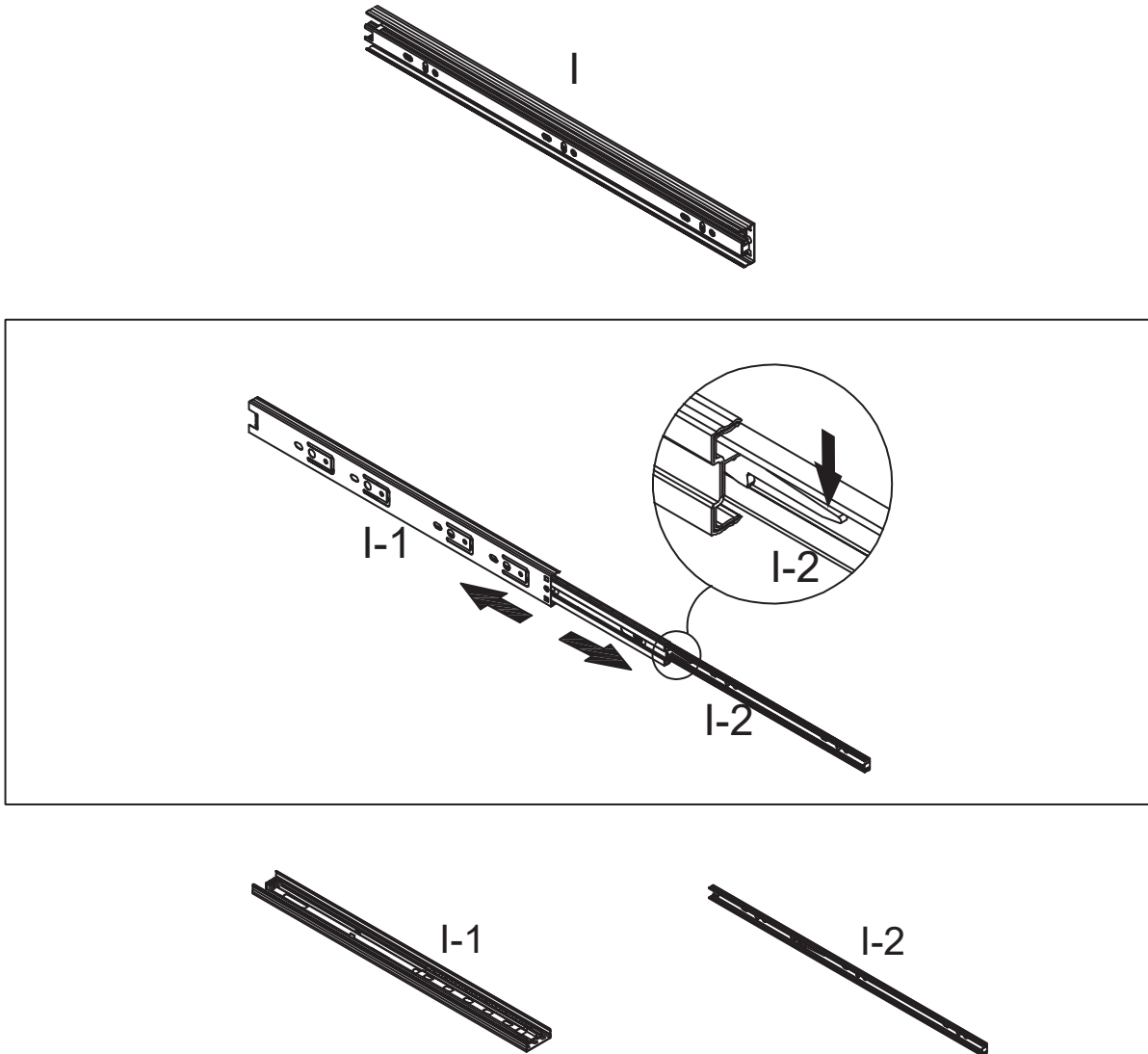


Φ4X45mm

Expansion Screw, Washer, Screw x2

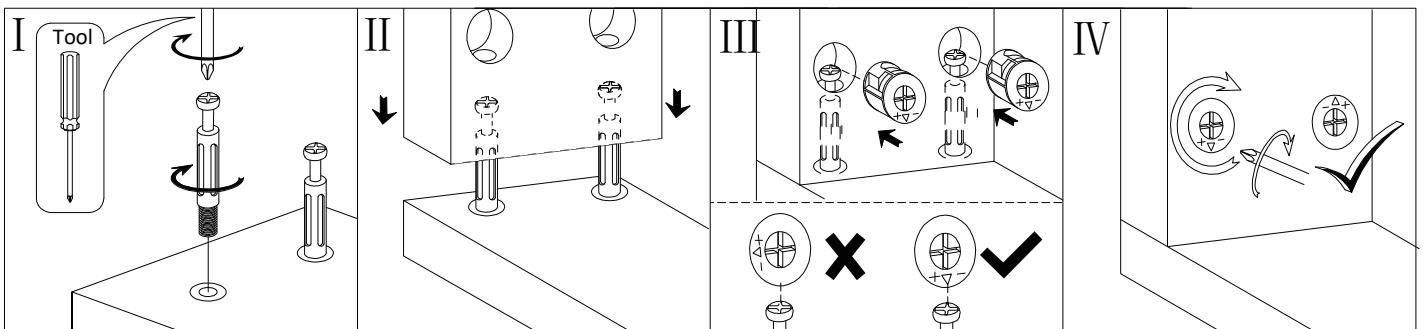
ASSEMBLY STEPS

Press down the lever on the drawer slide (I) to divide it into two parts, I-1, I-2.

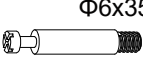
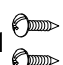
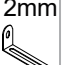




Assembly guide for cam bolt (A) and cam lock (B)

Make sure to align the arrow of the cam lock with the direction of the bolt head. Do not over tighten.

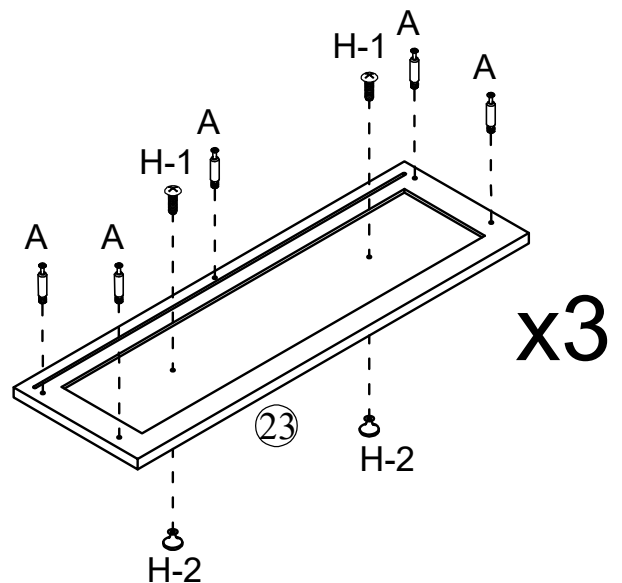
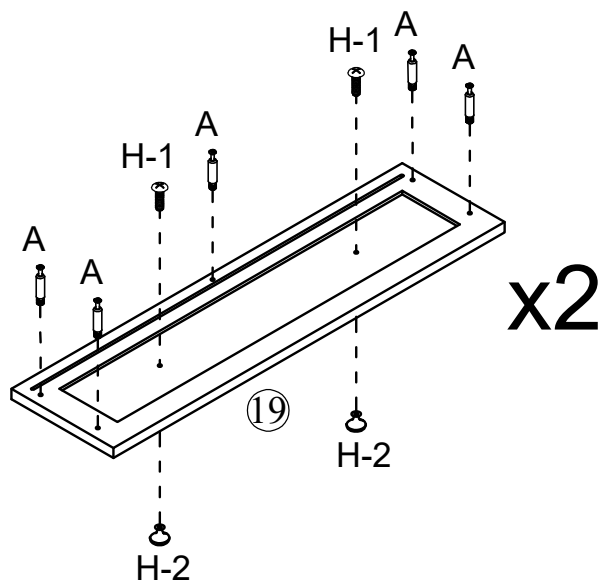
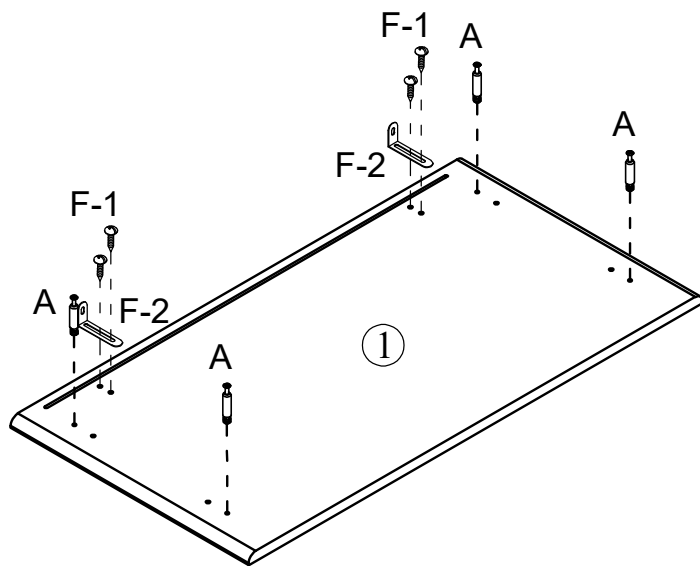


ASSEMBLY STEPS

A x 29	 $\Phi 6 \times 35 \text{mm}$	F x 2	F-1 	$\Phi 4 \times 12 \text{mm}$	F-2 	H x 10	H-1 	$\Phi 4 \times 8 \text{mm}$	H-2 
--------	--	-------	---	------------------------------	---	--------	--	-----------------------------	---

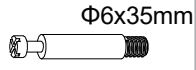
STEP 1

1. Screw the cam bolt (A) into the panels (1,19,23).
2. Use screw (F-1) to fix the L-shaped bracket (F-2) on panel (1).
3. Attach the knob (H-2) to the panels (19,23) with screw (H-1).



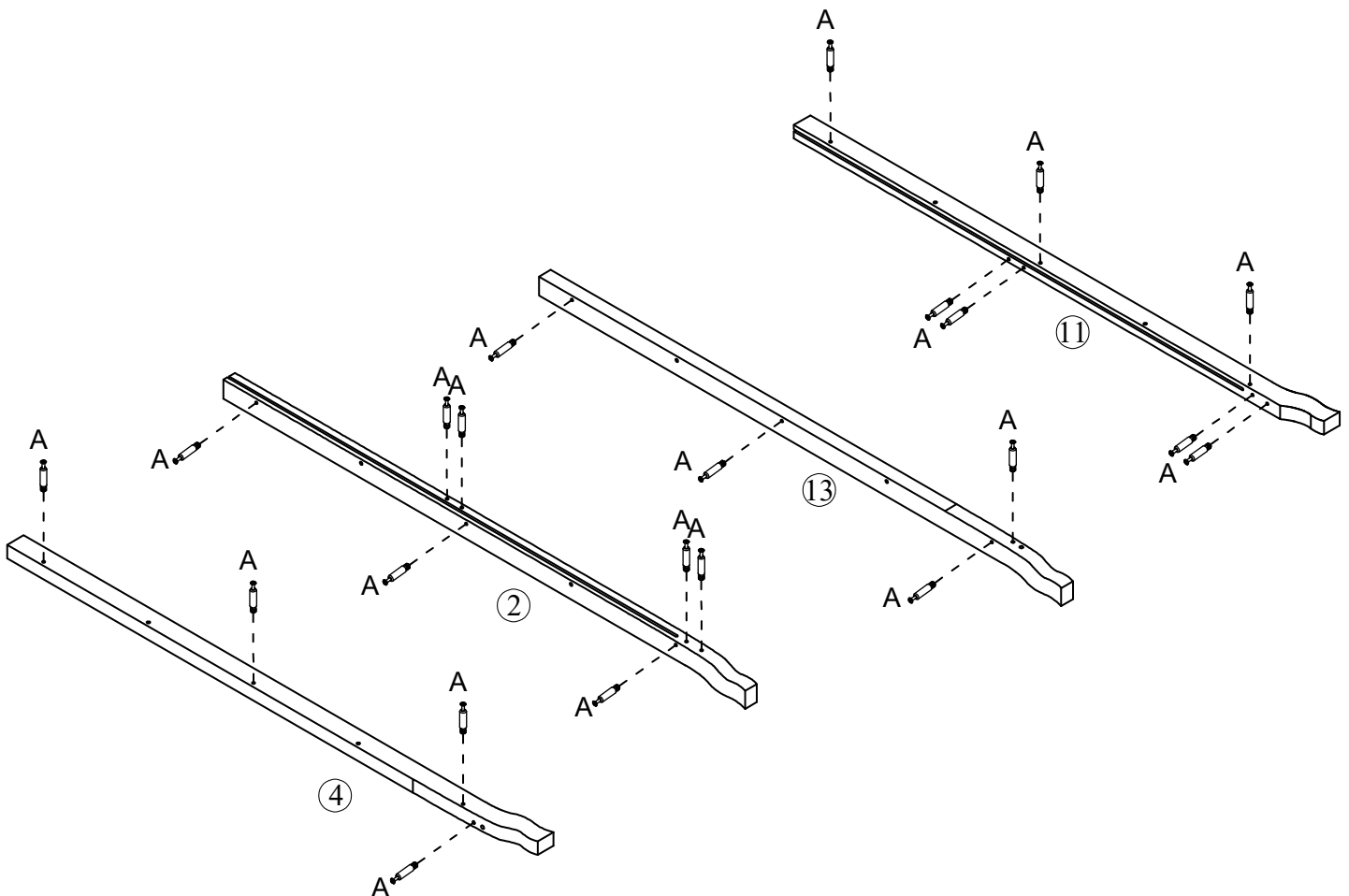
ASSEMBLY STEPS

A x 22



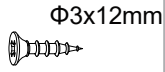
STEP 2

Screw the cam bolt (A) into the legs (2,4,11,13).



ASSEMBLY STEPS

E x 30



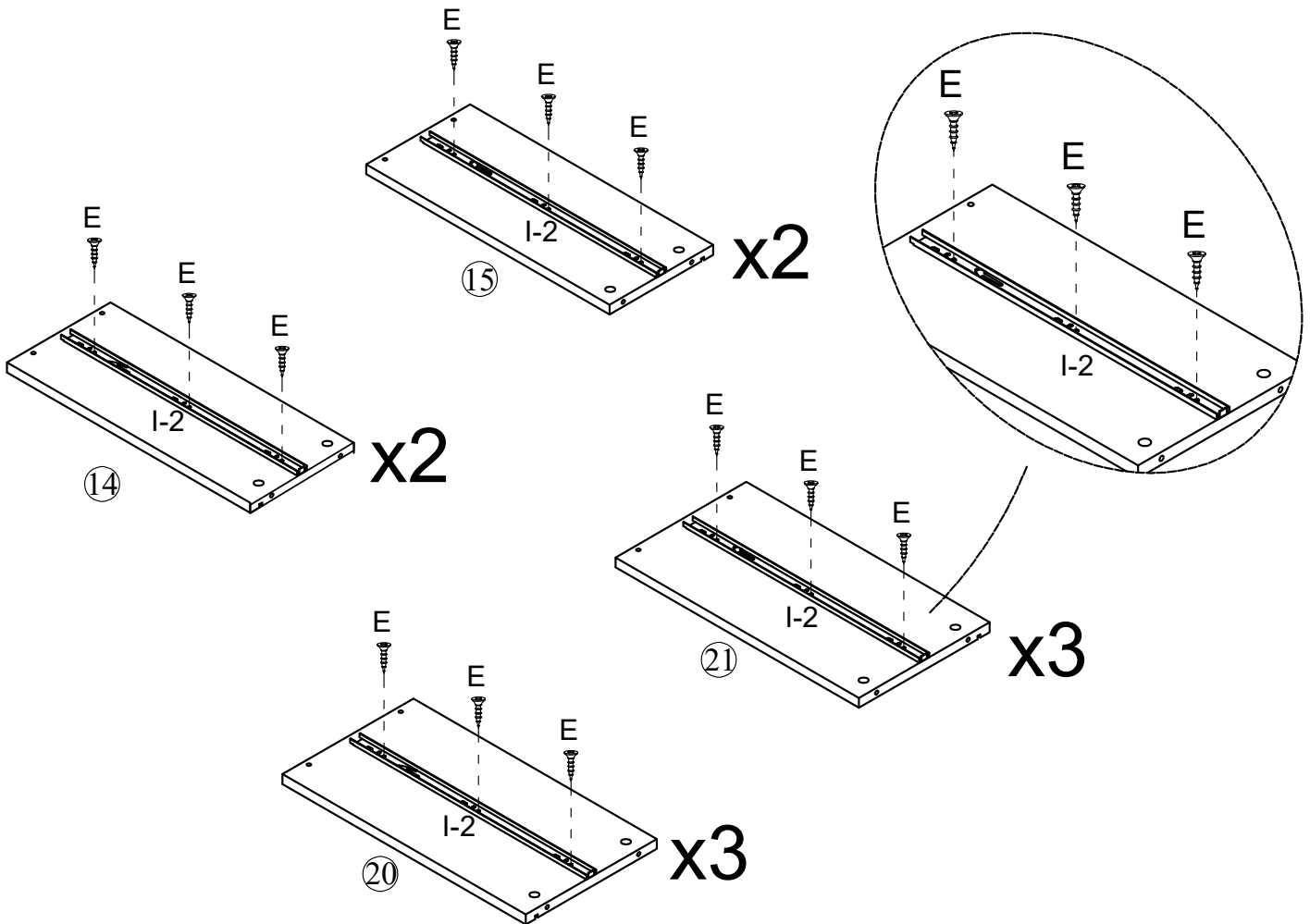
I x 10

I-2



STEP 3

Fix the drawer slide (I-2) on the drawer side panels (14,15,20,21) with screw (E).



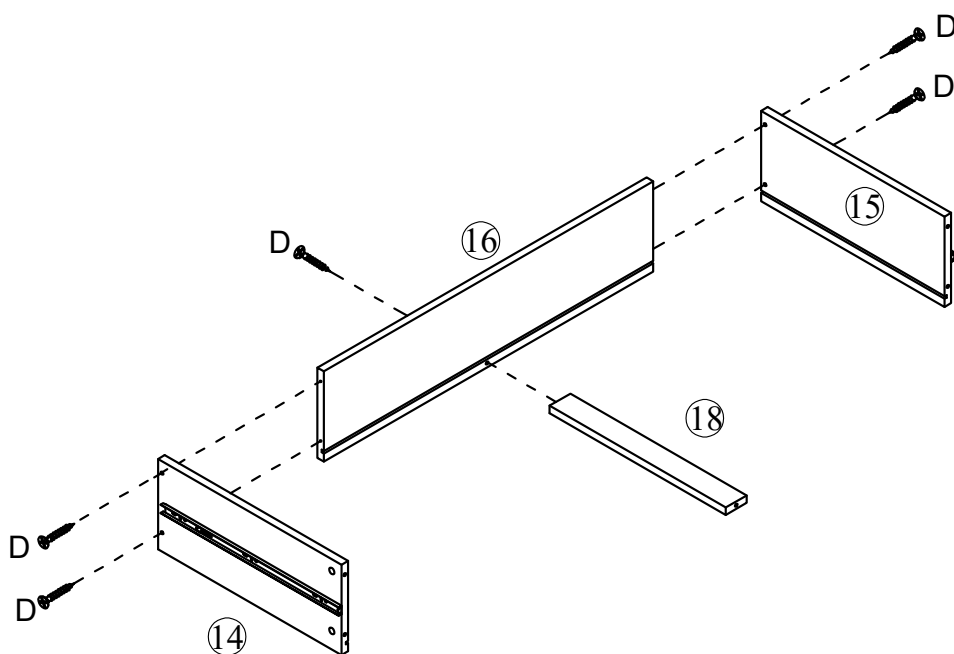
ASSEMBLY STEPS

D x 10

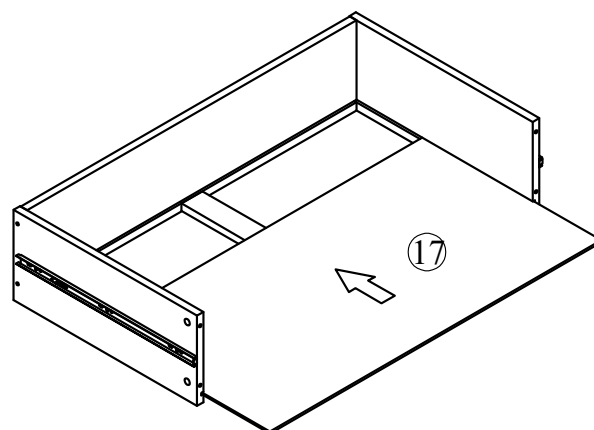


STEP 4

1. Connect the panels (14,15,16,18) with screw (D).
2. Insert the panel (17) along the groove.

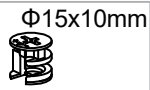


x2



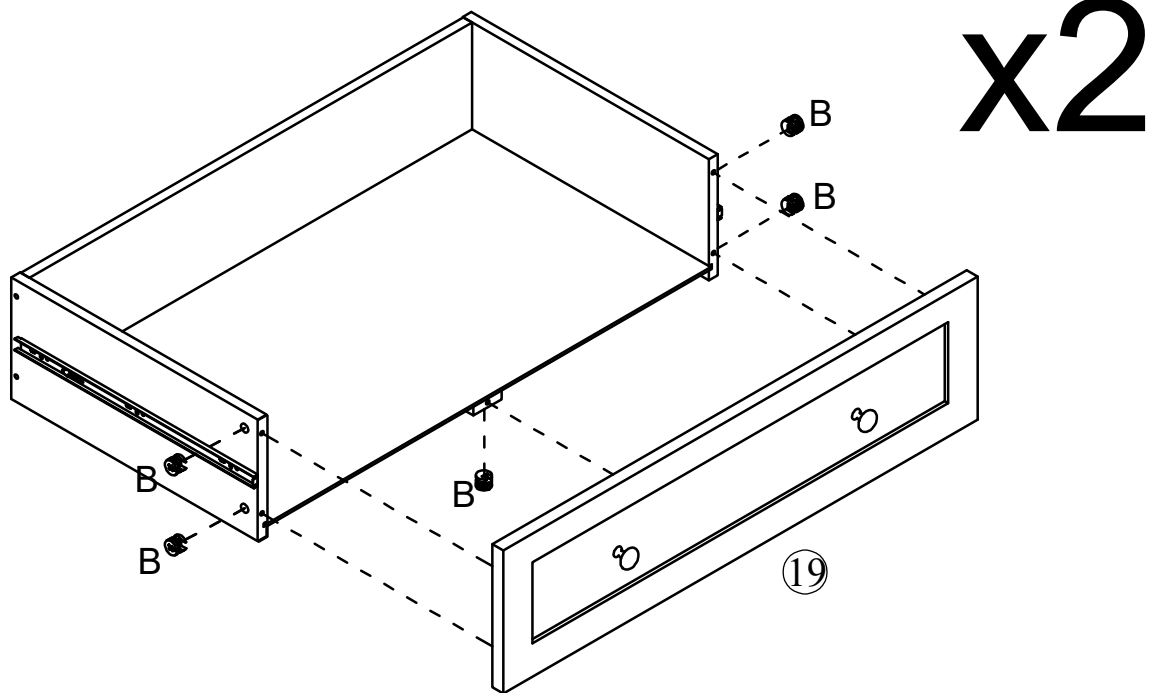
ASSEMBLY STEPS

B x 10

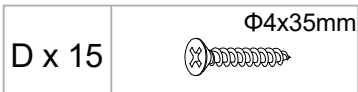


STEP 5

Install the panel (19) with cam lock (B).

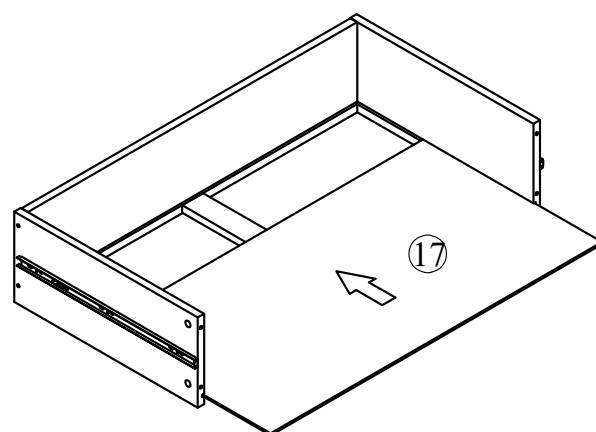
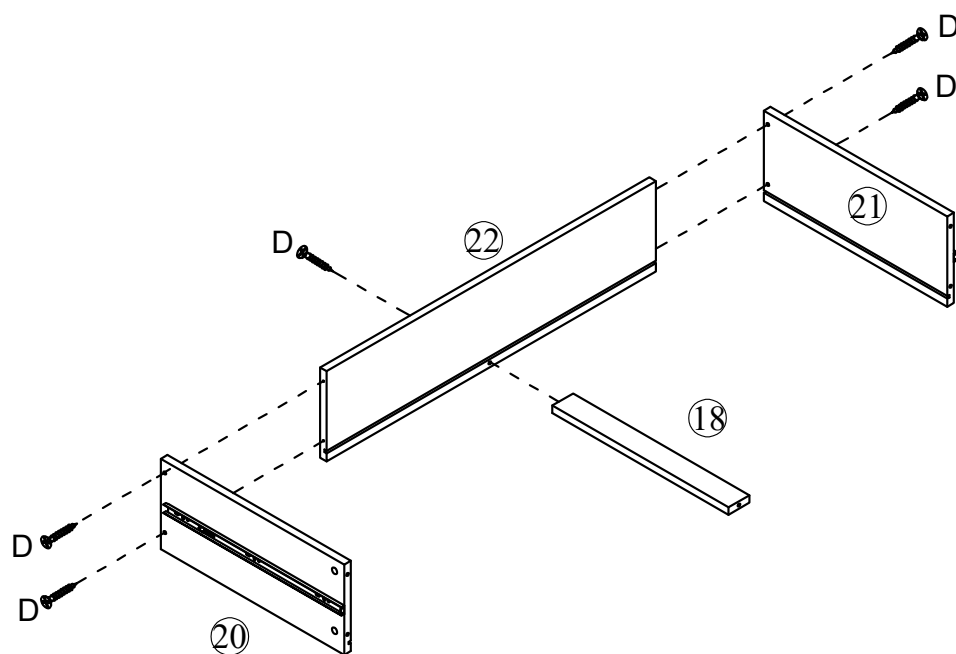


ASSEMBLY STEPS



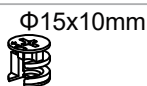
STEP 6

1. Connect the panels (18,20,21,22) with screw (D).
2. Insert the panel (17) along the groove.



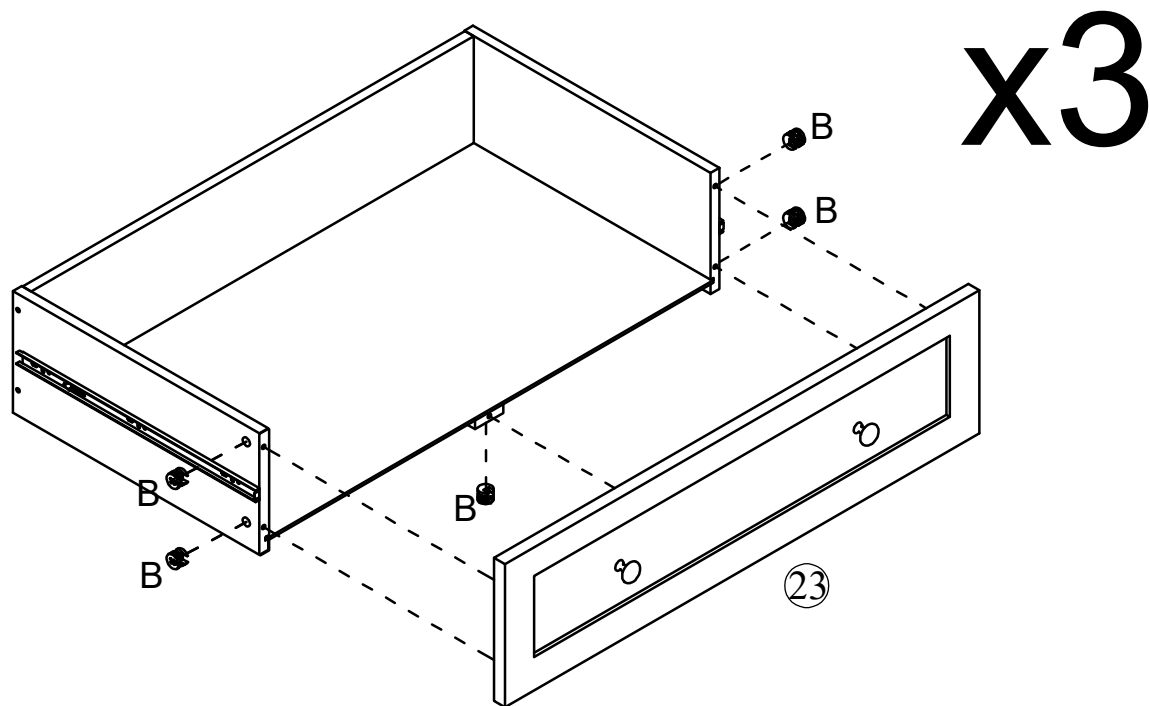
ASSEMBLY STEPS

B x 15


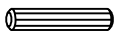


STEP 7

Install the panel (23) with cam lock (B).

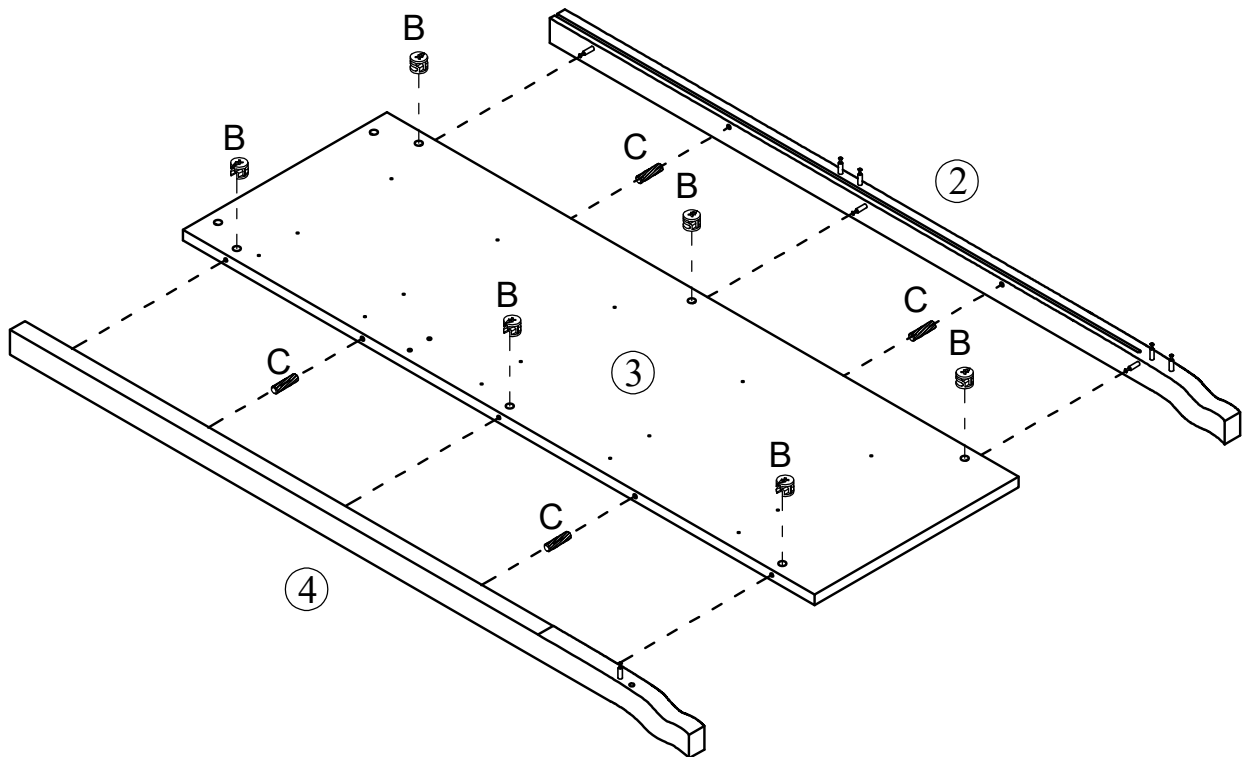


ASSEMBLY STEPS



B x 6	$\Phi 15 \times 10 \text{mm}$ 	C x 4	$\Phi 6 \times 30 \text{mm}$ 
-------	--	-------	---

STEP 8

Connect the panel (3) and legs (2,4) with wood dowel (C) and cam lock (B).

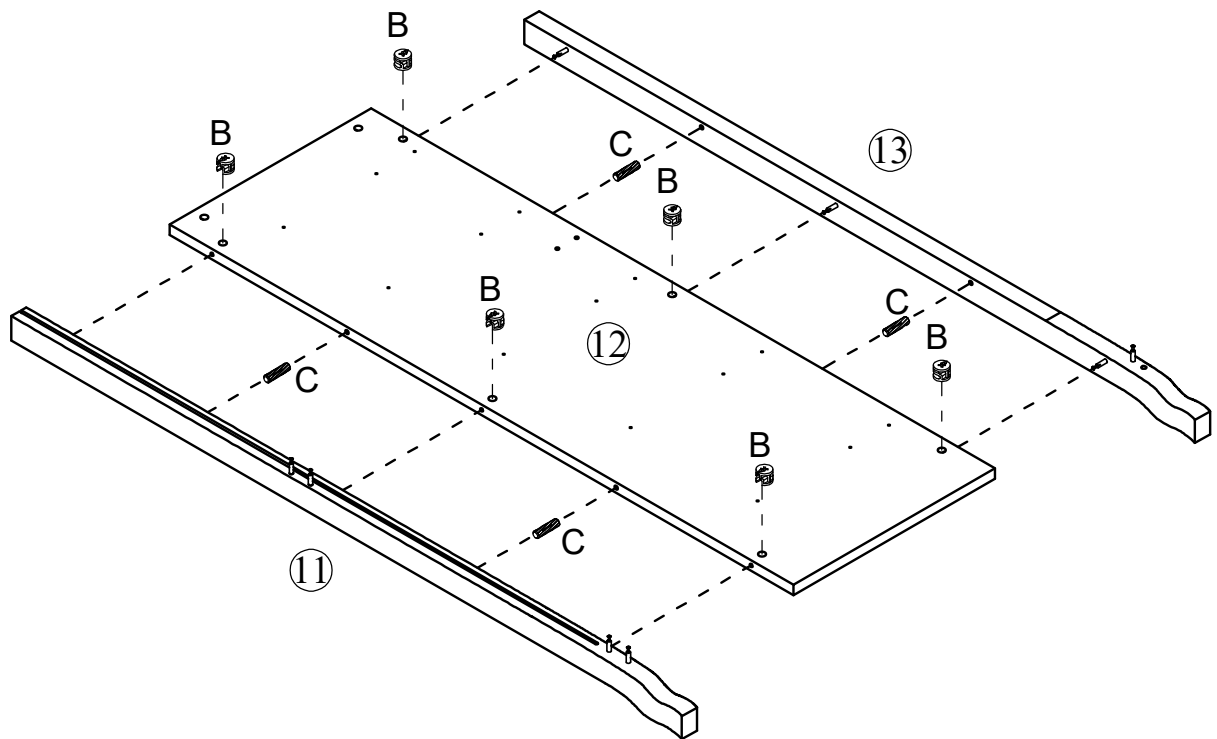


ASSEMBLY STEPS

B x 6	 $\Phi 15 \times 10 \text{mm}$	C x 4	 $\Phi 6 \times 30 \text{mm}$
-------	---	-------	--

STEP 9

Connect the panel (12) and legs (11,13) with wood dowel (C) and cam lock (B).

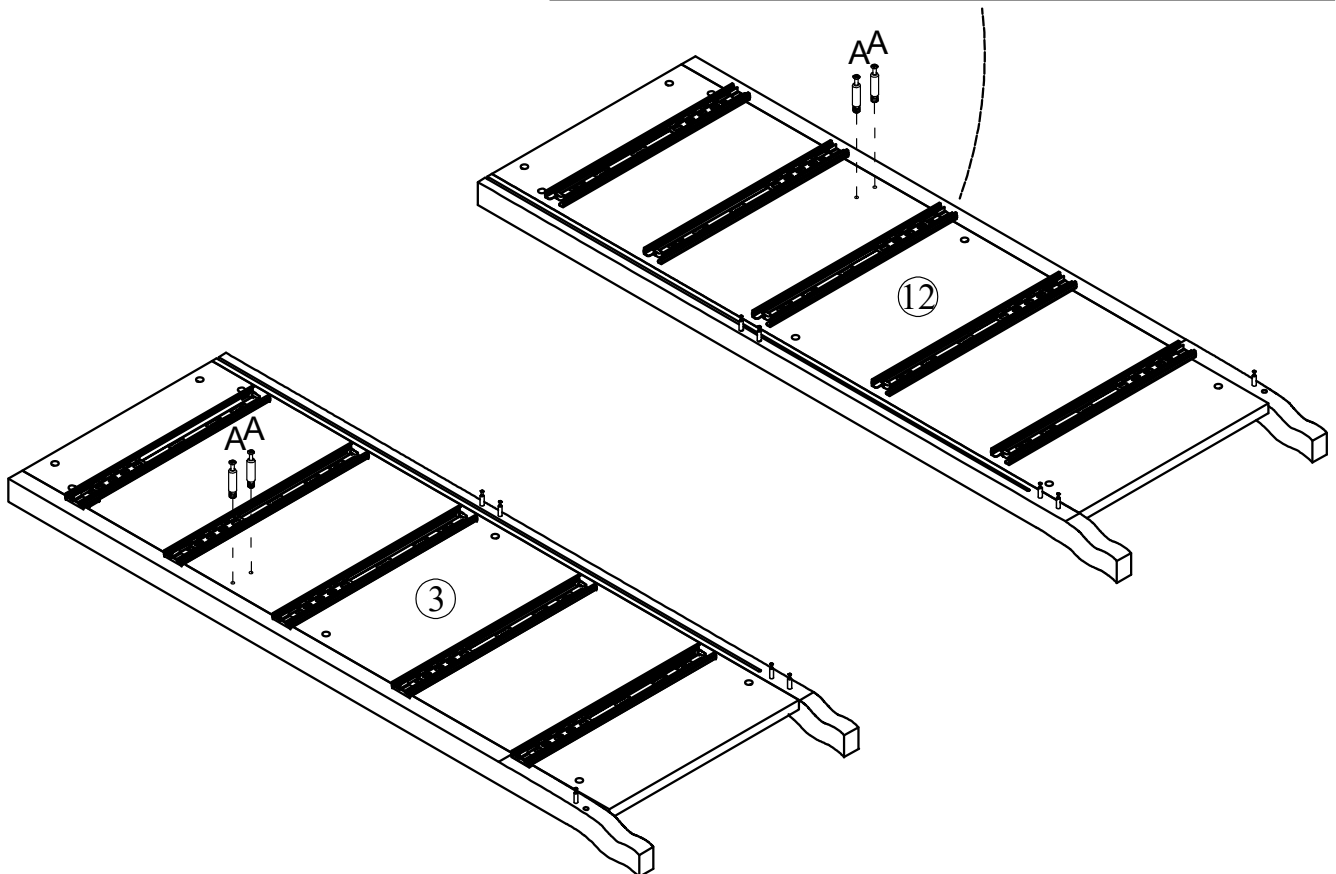
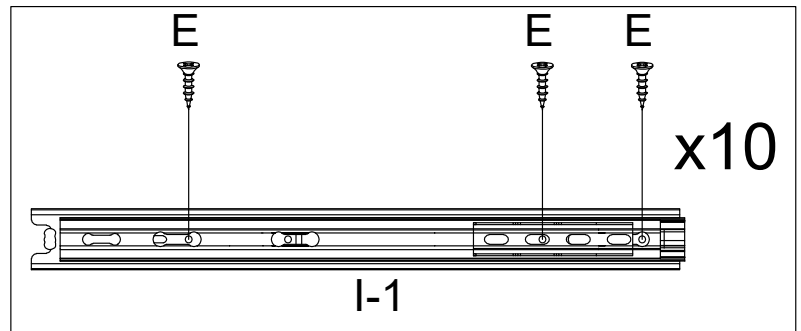


ASSEMBLY STEPS



A x 4	 $\Phi 6 \times 35 \text{mm}$	E x 30	 $\Phi 3 \times 12 \text{mm}$	I x 10	I-1 
-------	--	--------	--	--------	--

STEP 10

1. Fix the drawer slide (I-1) on the panels (3, 12) with screw (E).
2. Screw the cam bolt (A) into the panels (3, 12).

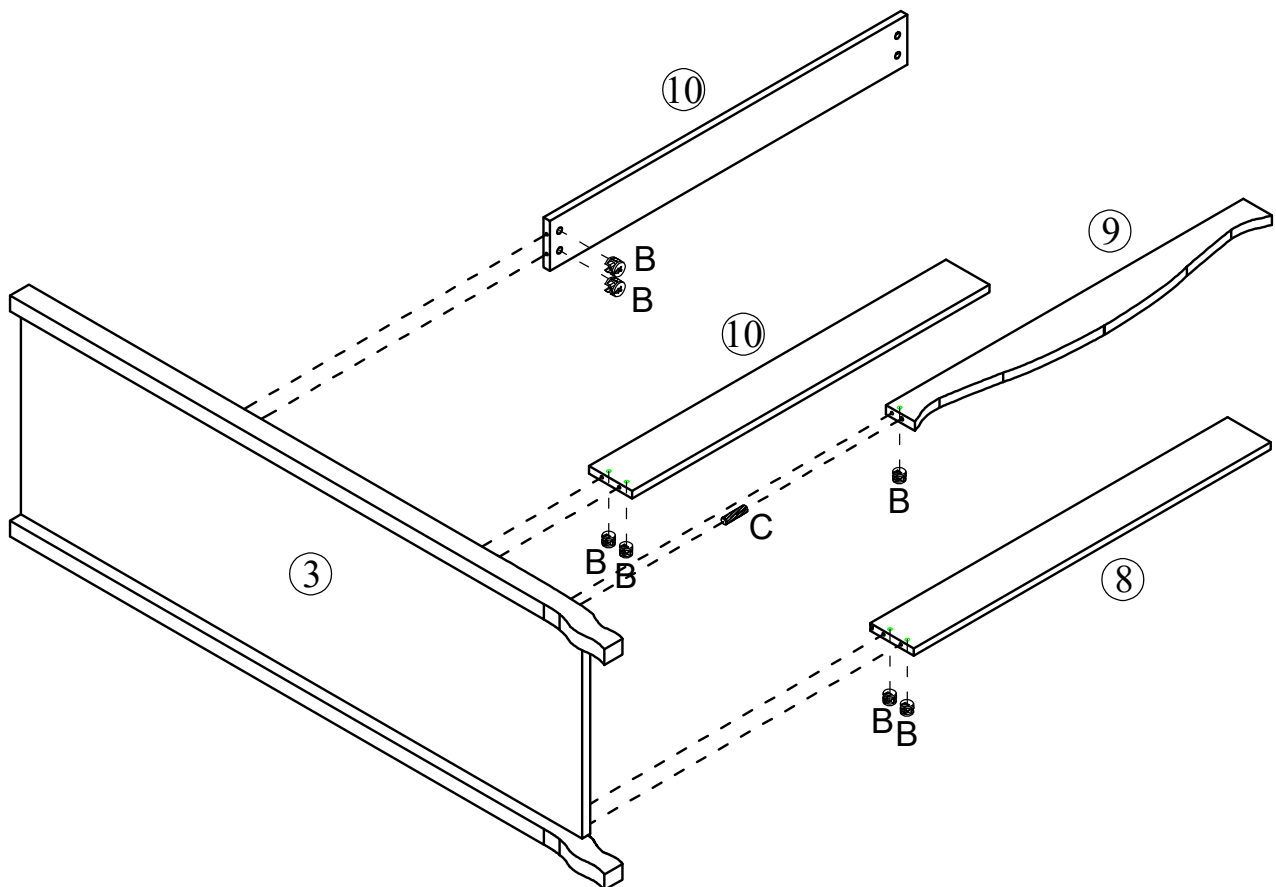


ASSEMBLY STEPS

B x 7	$\Phi 15 \times 10 \text{mm}$ 	C x 1	$\Phi 6 \times 30 \text{mm}$ 
-------	--	-------	---

STEP 11

Attach the wood strips (8,9,10) to the panel (3) with wood dowel (C) and cam lock (B).

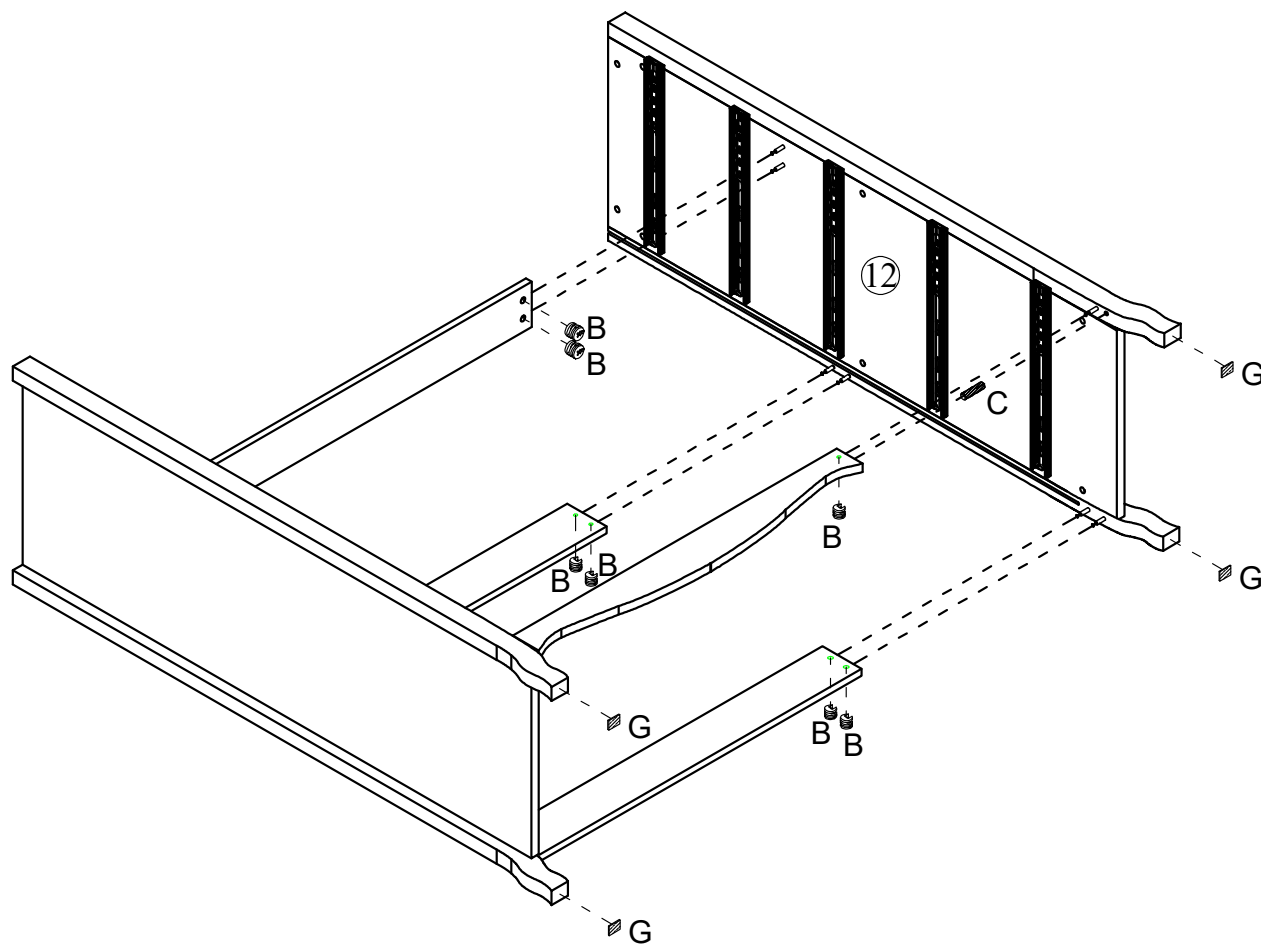


ASSEMBLY STEPS

B x 7	$\Phi 15 \times 10 \text{mm}$ 	C x 1	$\Phi 6 \times 30 \text{mm}$ 	G x 4	
-------	--	-------	---	-------	--

STEP 12

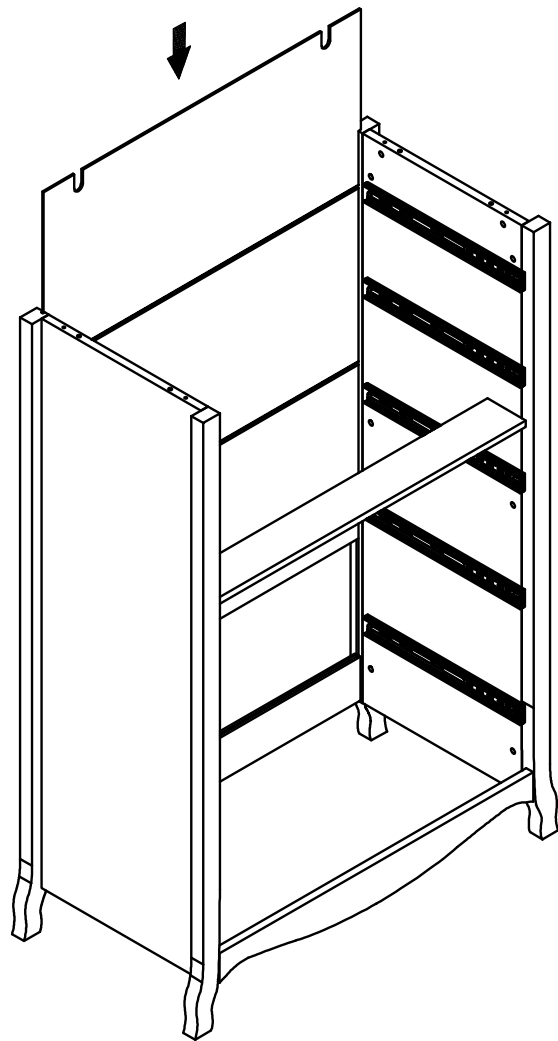
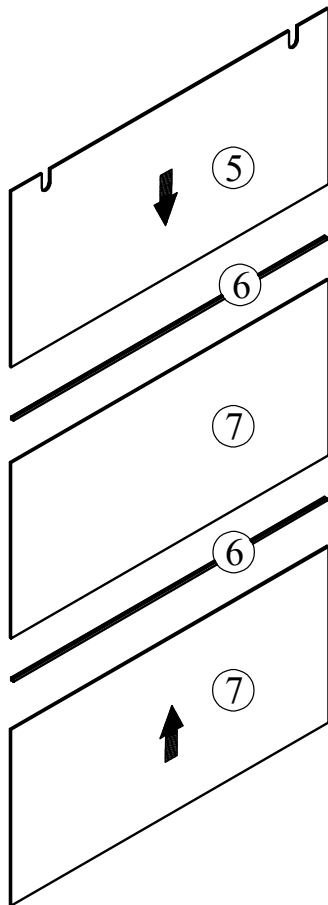
1. Attach the wood strips (8,9,10) to the panel (12) with wood dowel (C) and cam lock (B).
2. Stick the anti-slip pad (G) to the leg bottom.





ASSEMBLY STEPS

STEP 13

Insert the panel (7), panel (5) and the plastic strip (6) in sequence along the groove.

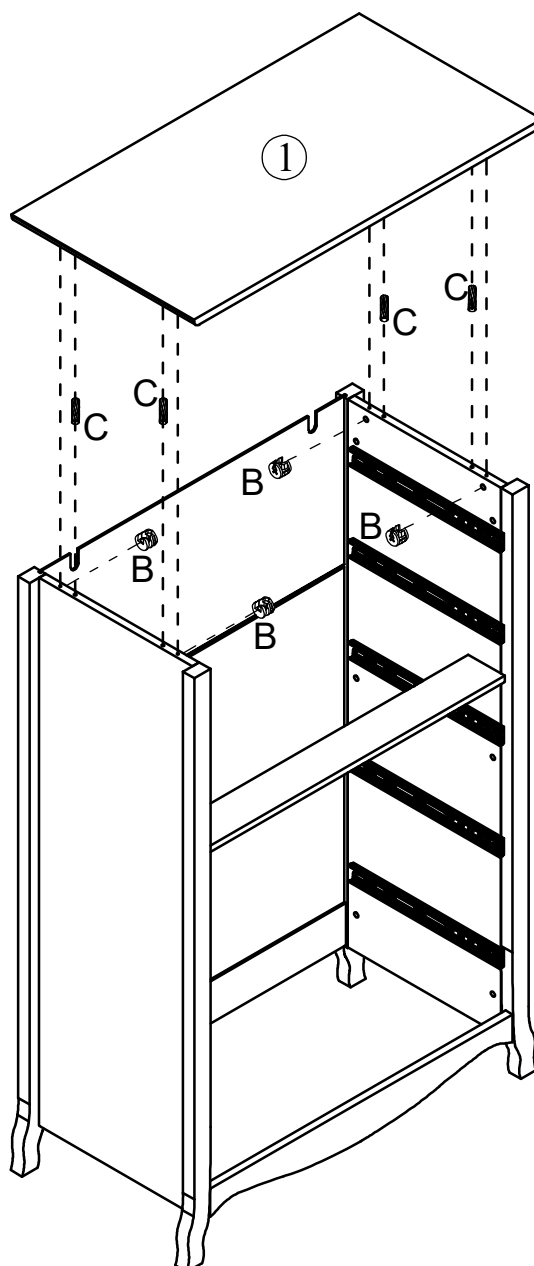


ASSEMBLY STEPS

B x 4	$\Phi 15 \times 10 \text{mm}$ 	C x 4	$\Phi 6 \times 30 \text{mm}$ 
-------	--	-------	---

STEP 14

Install the panel (1) with wood dowel (C) and cam lock (B).



ASSEMBLY STEPS

J x 12

J-1



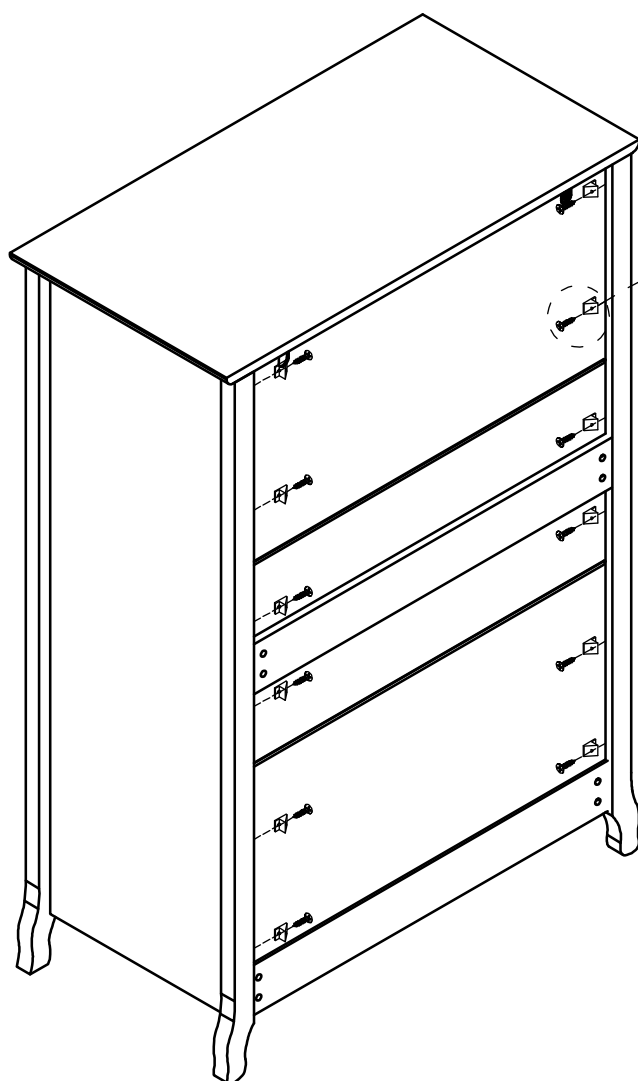
Φ3x16mm

J-2



STEP 15

Insert the mending wedge (J-1) into the gap in the back panel and fix it with screw (J-2).



J-1



x12

J-2



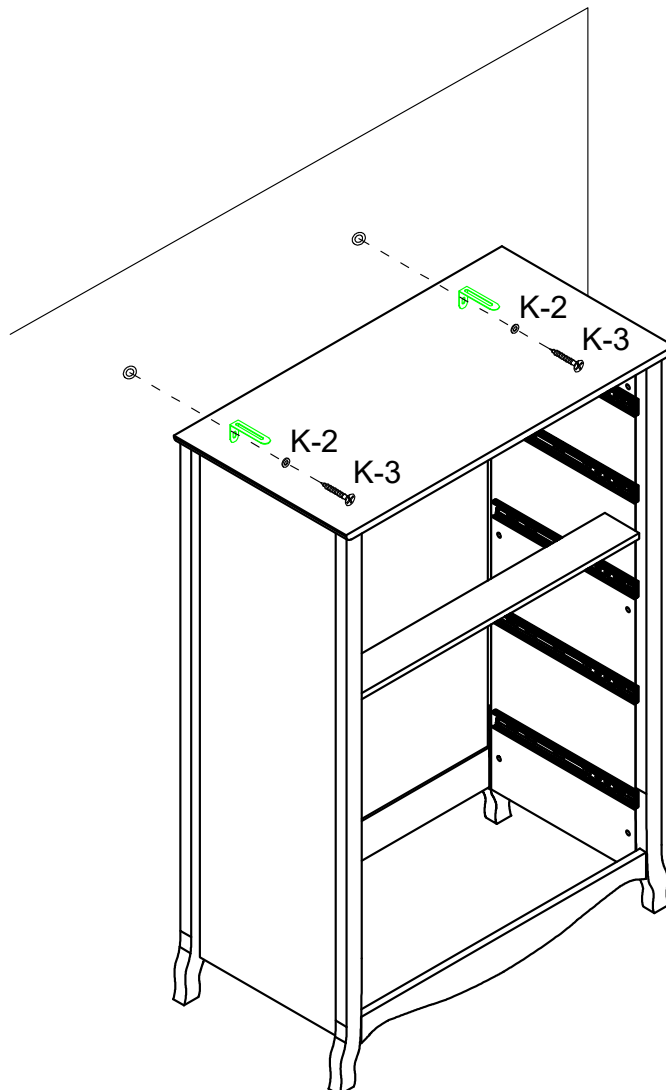
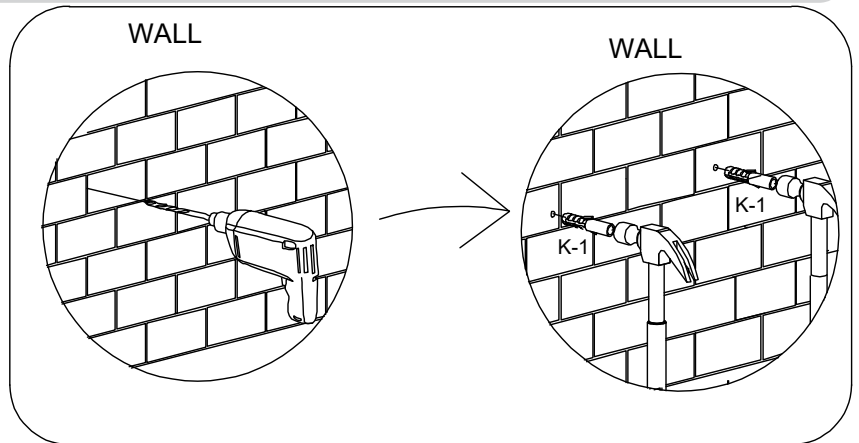
x12

ASSEMBLY STEPS

K x 2	K-1	K-2	K-3	Φ4x45mm
-------	-----	-----	-----	---------

STEP 16

1. Drill two holes in the wall and insert the plastic anchor (K-1) into the holes.
2. Use the screw (K-3) to pass through the washer (K-2) and L-shaped bracket and lock the cabinet onto the wall.

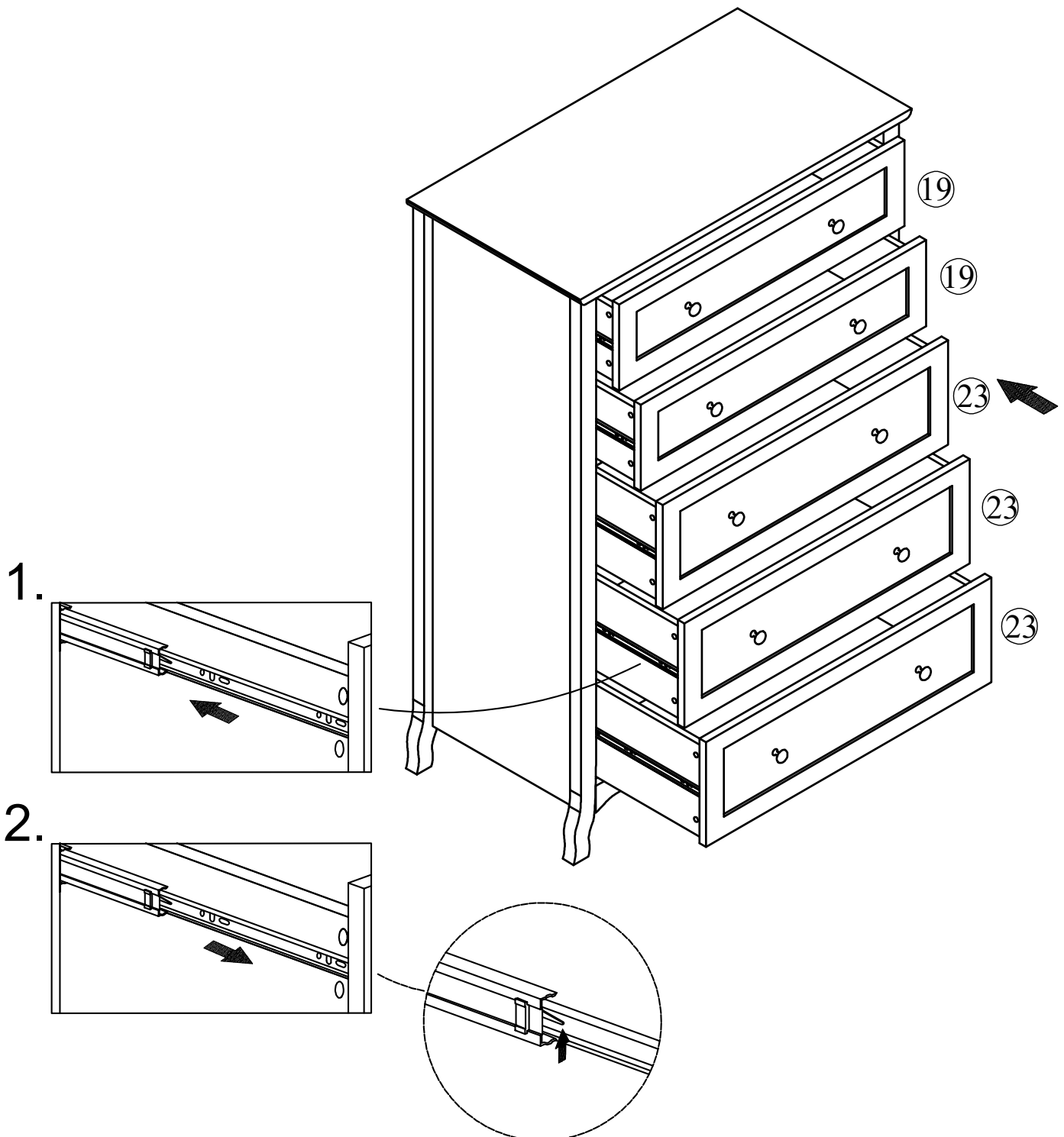


ASSEMBLY STEPS

STEP 17

Align the slides on the drawer and cabinet, and then gently push the drawer into the cabinet.

*If you need to remove the drawer, lift the lever on the left side slide upward and push down the lever on the right side slide, then slowly pull out the drawer.



Supplementary Instructions for Safe Use

English

WARNING



Children have died from furniture tipover. To reduce the risk of furniture tipover:

- ALWAYS install tipover restraint provided.
- NEVER put a TV on this product.
- NEVER allow children to stand, climb or hang on drawers, doors, or shelves.
- NEVER open more than one drawer at a time.
- Place heaviest items in the lowest drawers.
- Do not defeat or remove the drawer interlock system.

This is a permanent label.

Do not remove!

French

ATTENTION



Des enfants sont morts du basculement des meubles. Pour réduire le risque de basculement des meubles:

- TOUJOURS installer la retenue de basculement fournie.
- NE JAMAIS mettre de téléviseur sur ce produit.
- NE JAMAIS permettre aux enfants de se tenir debout, de grimper, ou de s'accrocher à des tiroirs, des portes ou des étagères.
- N'ouvrez JAMAIS plus d'un tiroir à la fois.
- Placez les objets les plus lourds dans les tiroirs les plus bas.
- Ne désactivez pas et ne retirez pas le système de verrouillage du tiroir.

Ceci est une étiquette permanente.

Ne pas enlever!

German

WARNUNG



Kinder sind an einem Möbelkipp gestorben. So verringern Sie das Risiko eines Umkippen von Möbeln:

- Installieren Sie **IMMER** die mitgelieferte Kipprückhaltevorrichtung.
- Stellen Sie **NIEMALS** einen Fernseher an dieses Produkt.
- Lassen Sie Kinder **NIEMALS** an Schubladen, Türen oder Regalen stehen klettern oder hängen.
- Öffnen Sie **NIEMALS** mehr als eine Schublade gleichzeitig.
- Legen Sie schwerste Gegenstände in die untersten Schubladen.
- Besiegen oder entfernen Sie das Schubladenverriegelungssystem nicht.

Dies ist ein dauerhaftes Etikett.

Nicht entfernen!