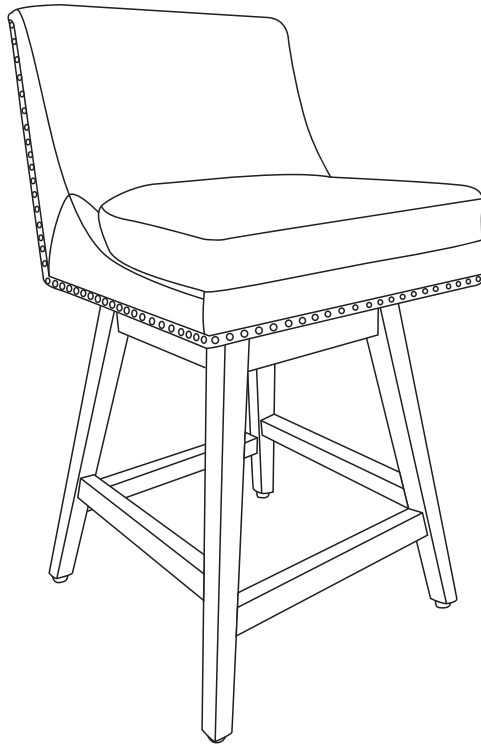


---

# BARSTOOL

## ASSEMBLY INSTRUCTION

---




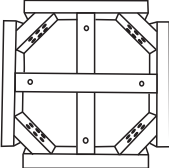


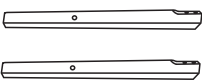
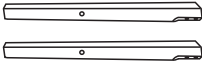

# ATTENTION

- 1. The barstool comes in one box, please check the part list carefully to make sure you've received all the parts.**
- 2. If there're any missing parts, please contact us with the part # and quantity, we will send them to you ASAP.**
- 3. If there're any damaged parts, please contact us with clear pictures or video, we will offer you the best solution after confirming it.**



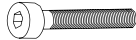




## NOTE

1. If one or some screws are fully tightened during assembly, the other screws may not be aligned with screw holes. 50% tighten before fastening all screws. Allen wrench is recommended instead of an electric drill.
2. If some screws are not aligned with holes during assembly, please loosen all the other screws to 50% and continue the assembly process.
3. If the items is not stable, please loosen all the screws, adjust it on a flat ground and tighten all the screws.

# Assembly Instruction

<p><b>1</b></p>  <p>1 pc</p>	<p><b>2</b></p>  <p>1 pc</p>	<p><b>3</b></p>  <p>2 pcs</p>	<p><b>4</b></p>  <p>2 pcs</p>
<p><b>5</b></p>  <p>2 pcs</p>	<p><b>6</b></p>  <p>2 pcs</p>	<p><b>7</b></p>  <p>1 pc</p>	

## Hardware List

<p><b>A</b></p>  <p>M8*65MM 8 pcs</p>	<p><b>B</b></p>  <p>M8 8 pcs</p>	<p><b>C</b></p>  <p>M6*45MM 8 pcs</p>	<p><b>D</b></p>  <p>8 pcs</p>
<p><b>E</b></p>  <p>M6*25MM 8 pcs</p>	<p><b>F</b></p>  <p>M6 8 pcs</p>	<p><b>G</b></p>  <p>1 pc</p>	

# Assembly Instruction

## Step 1

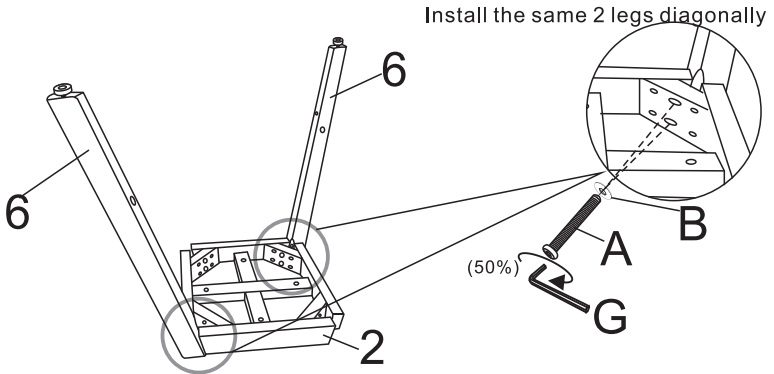
Ax4

Bx4

Gx1

2x1

6x2



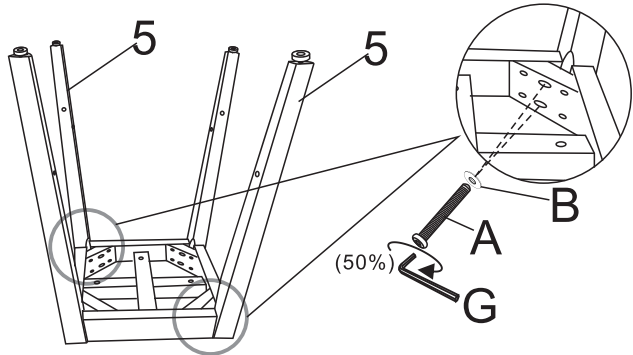
## Step 2

Ax4

Bx4

Gx1

5x2

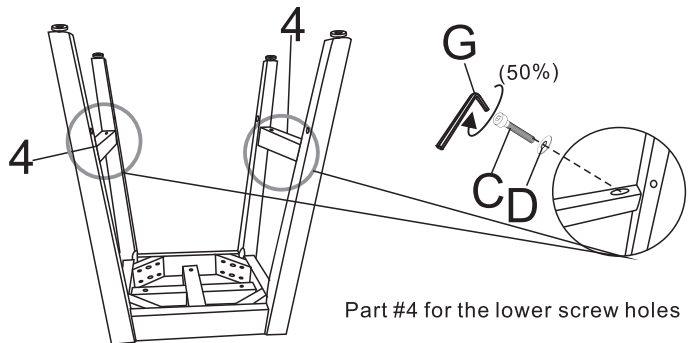


## Step 3

Cx4

Dx4

Gx1



# Assembly Instruction

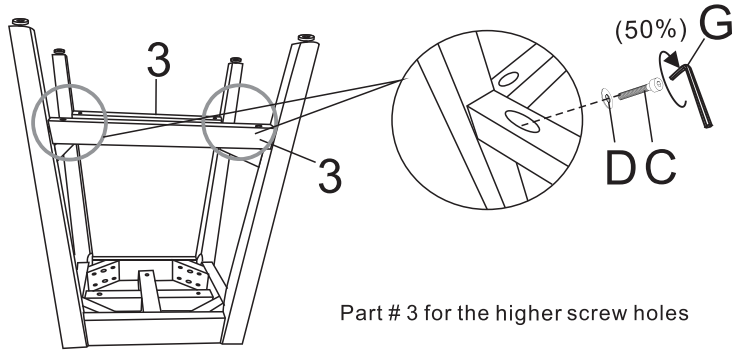
## Step 4

Cx4

Dx4

Gx1

3x2



Part # 3 for the higher screw holes

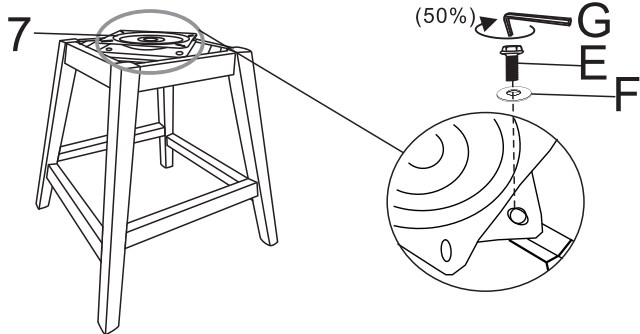
## Step 5

Ex4

Fx4

Gx1

7x1



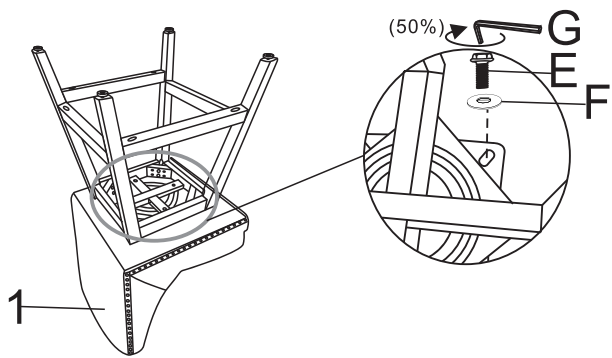
## Step 6

Ex4

Fx4

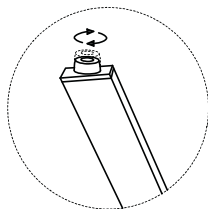
Gx1

1x1

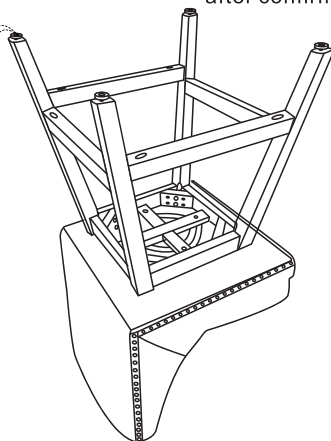


# Assembly Instruction

## Step 7



Adjustable plastic feet



Tighten all screws to 100%  
after confirming the chair is stable



## Step 8

