

Owner Manual

Product Dimensions: 27.60" W x 78.74" D x 14.17" H

NOTICE

- *Please make sure that you have all parts indicated and they are in good condition before you begin assembly of this item. Refer to part list and hardware list below for guidance.
- *This item should be assembled on a soft surface to prevent scratching the finish during assembly.
- *This item may require periodic tightening.
- *If you are having difficulty, our friendly Customer Care team is always here to help.

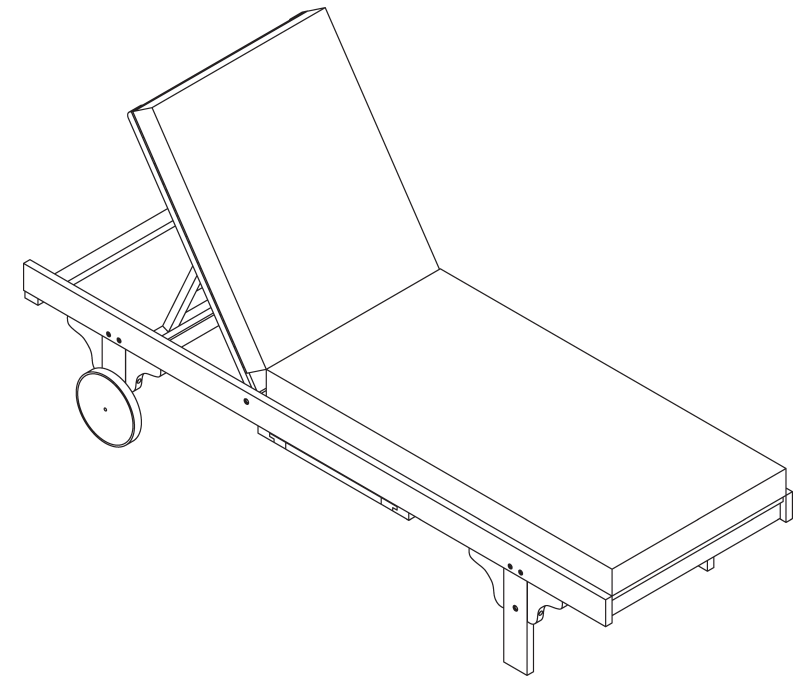
PREPARATION

- * Before beginning assembly of product, make sure all parts are present. Compare parts with part contents list and hardware contents list.
 - * If any part is missing or damaged, do not attempt to assemble the product. *
- Estimated Assembly Time: 10 minutes.
- *Tools Required for Assembly (included): Allen Key

CARE AND MAINTENANCE

OUTDOOR FURNITURE CARE

Store outdoor furniture indoors or cover well when not in use. Remove wooden furniture from standing water. Dust regularly with small brush or vacuum. Spills should be taken care of immediately before they harden or stain with a slightly dampened sponge.


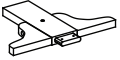
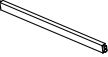













Weight Capacity : 350 lbs

Warning : Do not stand on sunlounge

Warning : Do not over torque bolts / screws

Part List and Hardware List

| PIECE | DESCRIPTION | PICTURE | QUANTITY |
|-------|--------------------------|---|----------|
| A | Sunlouger frame |  | 1X |
| B | Front leg |  | 2X |
| C | Cross bar of leg |  | 2X |
| D | Wheel |  | 2X |
| E | Back leg |  | 2X |
| CSH1 | Cushion |  | 1X |
| HW1 | Screw: M7 x0.5 x50 mm |  | 4X |
| HW2 | Screw: M6 x0.5 x18 mm |  | 8X |
| HW3 | Allen Bolt: M8x0.5x35 mm |  | 2X |
| HW4 | Sleeve nut: M8 x0.5x19mm |  | 2X |
| HW5 | Washer Ø8,5/30x4 mm |  | 2X |
| HW6 | Screw: M6 x0.5 x60 mm |  | 8X |
| HW7 | Allen key 4 |  | 2X |
| HW8 | Allen key 5 |  | 1X |

PREPARATION

*Before beginning assembly of product, make sure all parts are present. Compare parts with package contents list and hardware contents list.

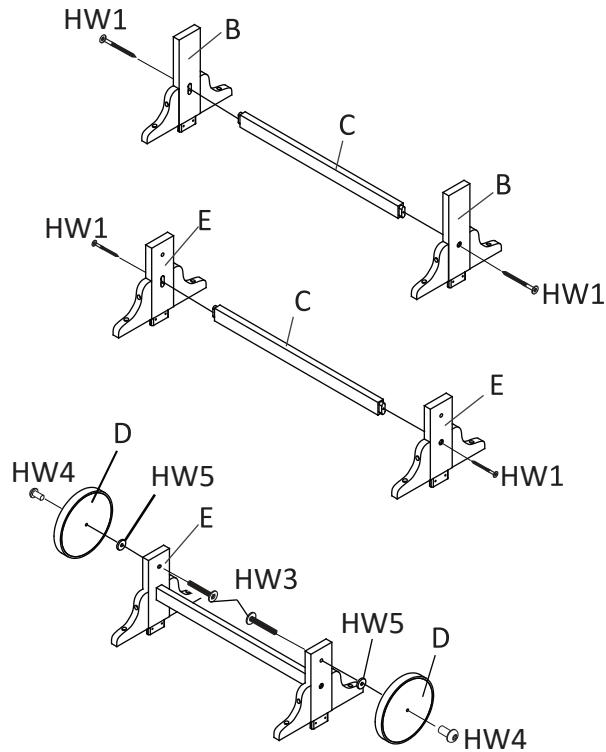
*If any part is missing or damaged, do not attempt to assemble the product.

*Estimated Assembly Time : 30 minutes.

*Tools Required for Assembly (included): Allen Key

*If you are having difficulty, our friendly Customer care team is always here to help.

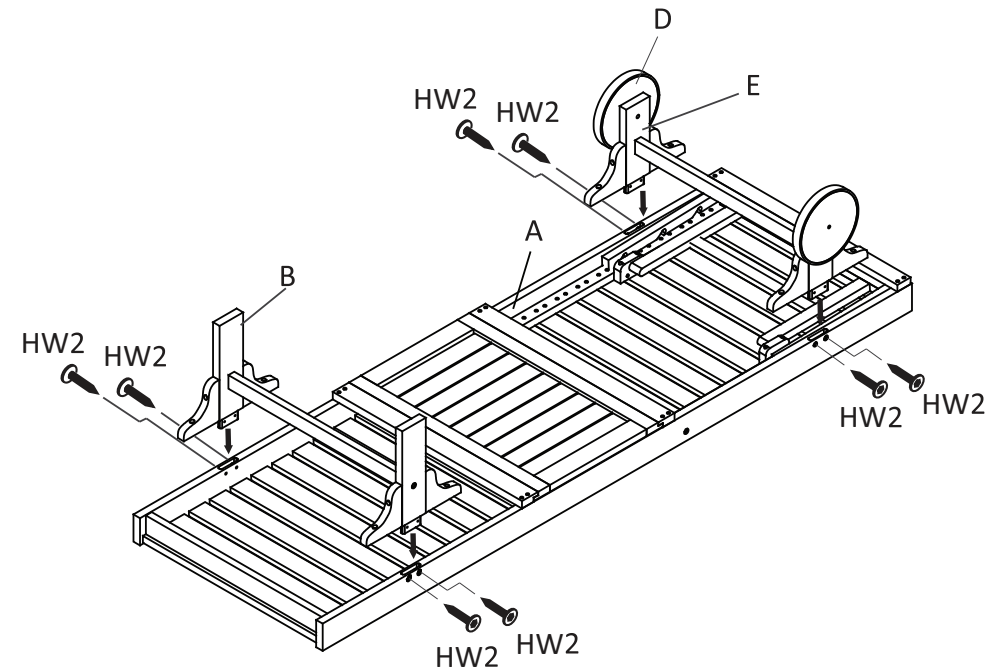
1



Step 1

- Attached (B) & (C),using (HW1) tighten with (HW8)
- Attached (E)& (C),using (HW1) tighten with (HW8)
- Attached (D) & (E) insert (HW5) inside using (HW3) & (HW4) tighten with (HW7)

2



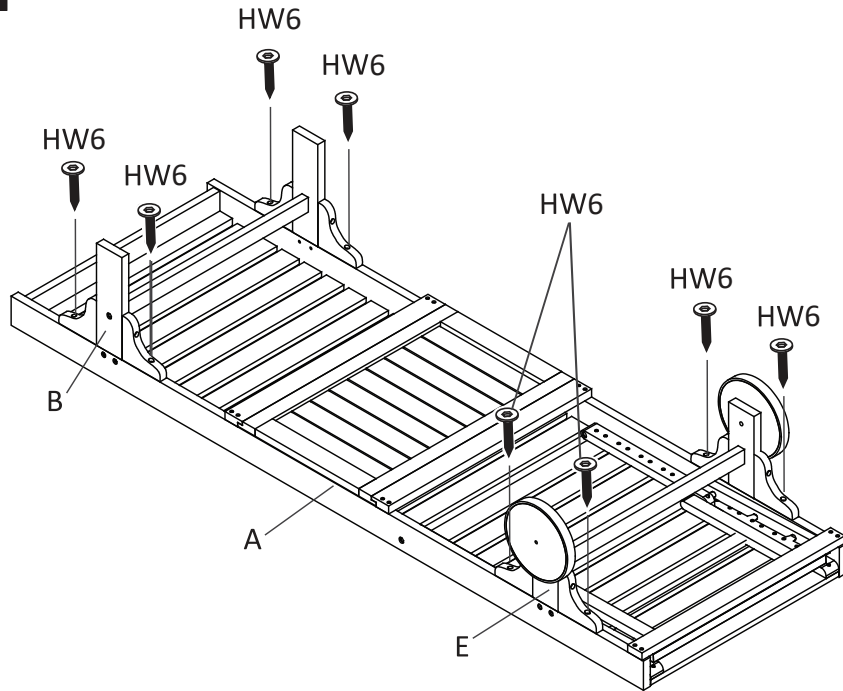
Step 2

- (B) & (C) attached to (A),using (HW2) tighten with (HW8),(D),(E),(C),attached to (A),using (HW2) tighten with (HW8).

PREPARATION

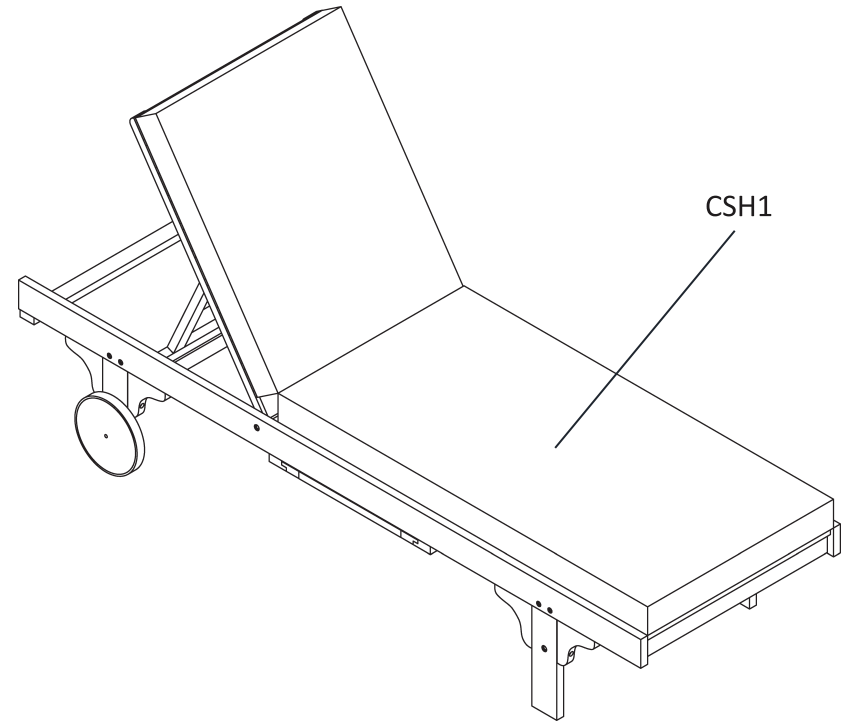
- *Before beginning assembly of product, make sure all parts are present. Compare parts with package contents list and hardware contents list.
- *If any part is missing or damaged, do not attempt to assemble the product.
- *Estimated Assembly Time : 30 minutes.
- *Tools Required for Assembly (included): Allen Key
- *If you are having difficulty, our friendly Customer care team is always here to help.

3



Step 3
Using (HW6) tighten with (HW8).

4



Step 4
Put Seat Cushion (CSH1) on the Sunlounge. The Sunlounge is ready to be used.