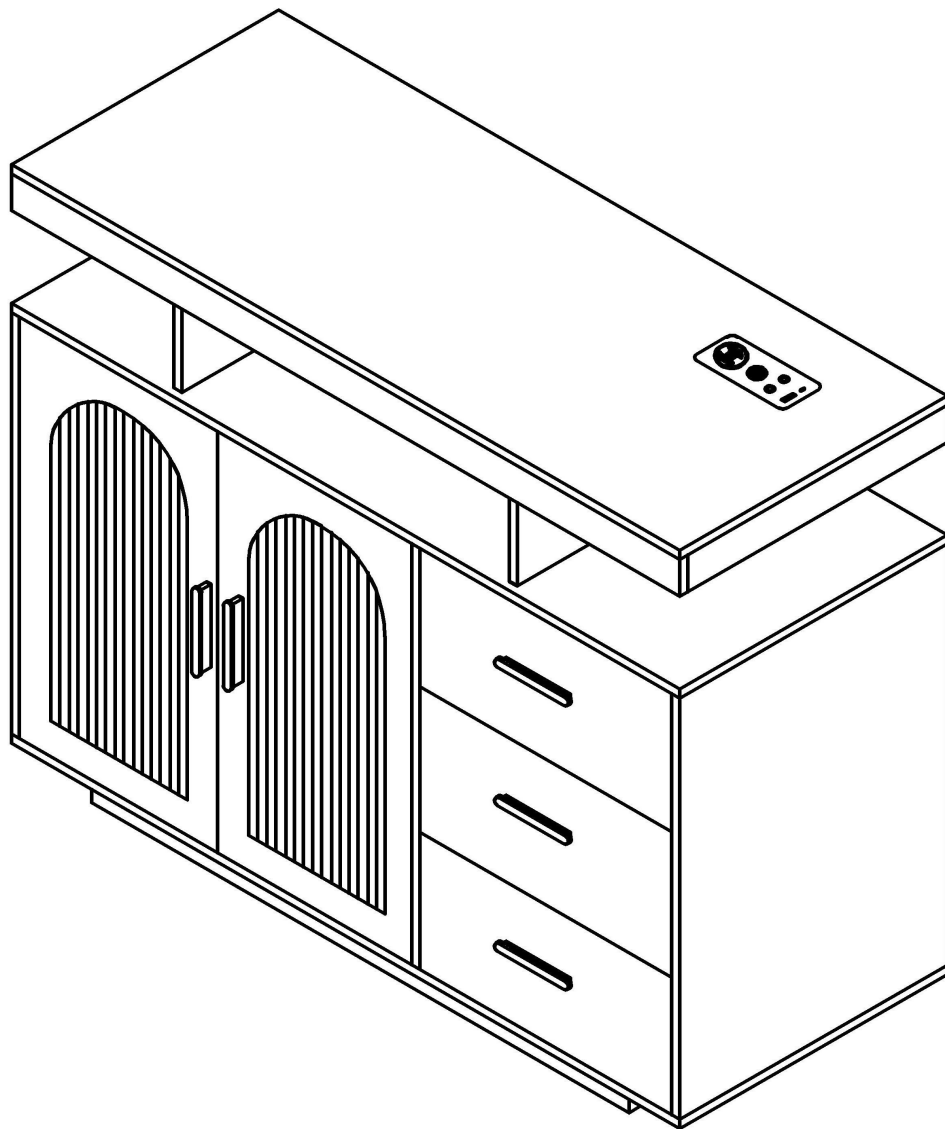
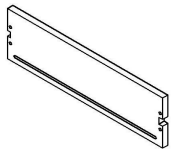
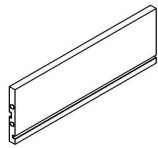


Product Installation Instructions

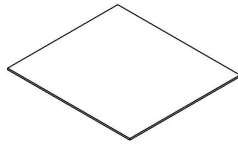




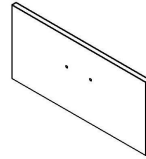
Ax3



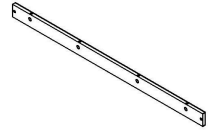
Bx6



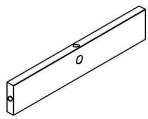
Cx3



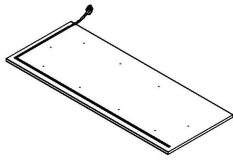
Dx3



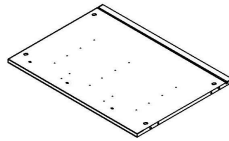
Ex2



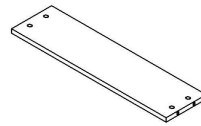
Fx2



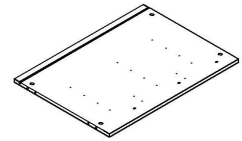
Gx1



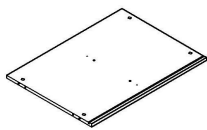
Hx1



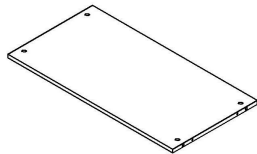
Ix2



Jx1



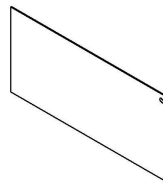
Kx1



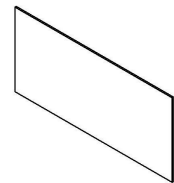
Lx1



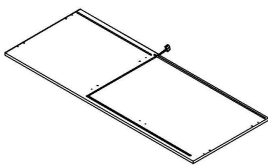
Mx1



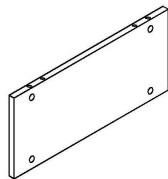
Nx1



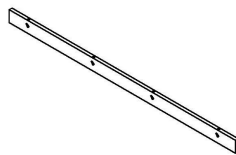
N2x1



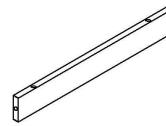
Ox1



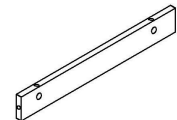
Px2



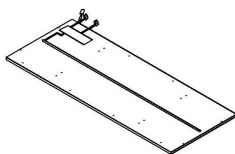
Qx1



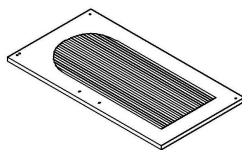
Rx1



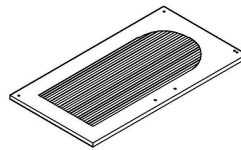
Sx1



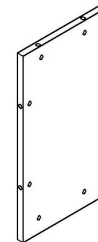
Tx1



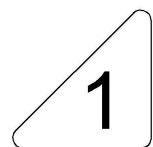
Ux1



Vx1

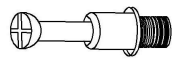


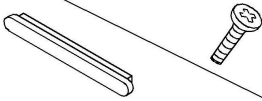

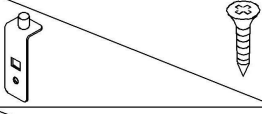
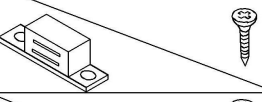
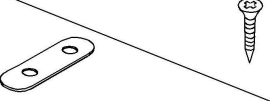

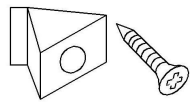
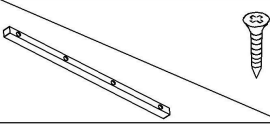
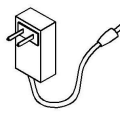
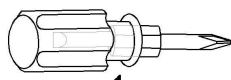
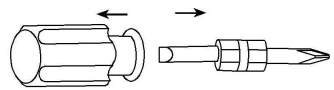



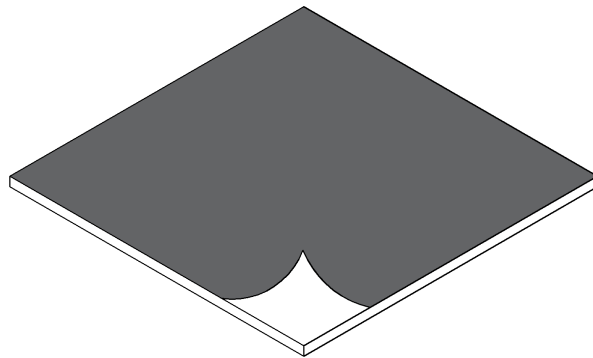
Wx1



1

Accessories list

①		Two in one screw (6x28mm)	88pcs +6pcs
②		Two in one nut (10x12mm)	88pcs +6pcs
③		Wood chipping (6x30mm)	24pcs +4pcs
④		Handle & screw (4x16mm)	10pcs +2pcs 5pcs
⑤		Iron bar	6pcs
⑥		Cabinet door hinge & Screw (3x10mm)	8pcs +1pcs 4pcs
⑦		Magnetic attraction & screw (3.5x12mm)	2pcs +1pcs 1pcs
⑧		Iron sheet & screw (3x10mm)	4pcs +1pcs 2pcs
⑨		Non-slip pads	6pcs +2pcs
⑩		Fixing clip & screw (3x16mm)	8pcs +1pcs
⑪		Rubber strip guide & screw(4x16mm)	24pcs +4pcs 6pcs
		AC/DC Adapter (12V= 3.0A)	1pcs
		1pcs	
		Double-head screwdriver, use as required	
			



The plates used in this product are bright plates,

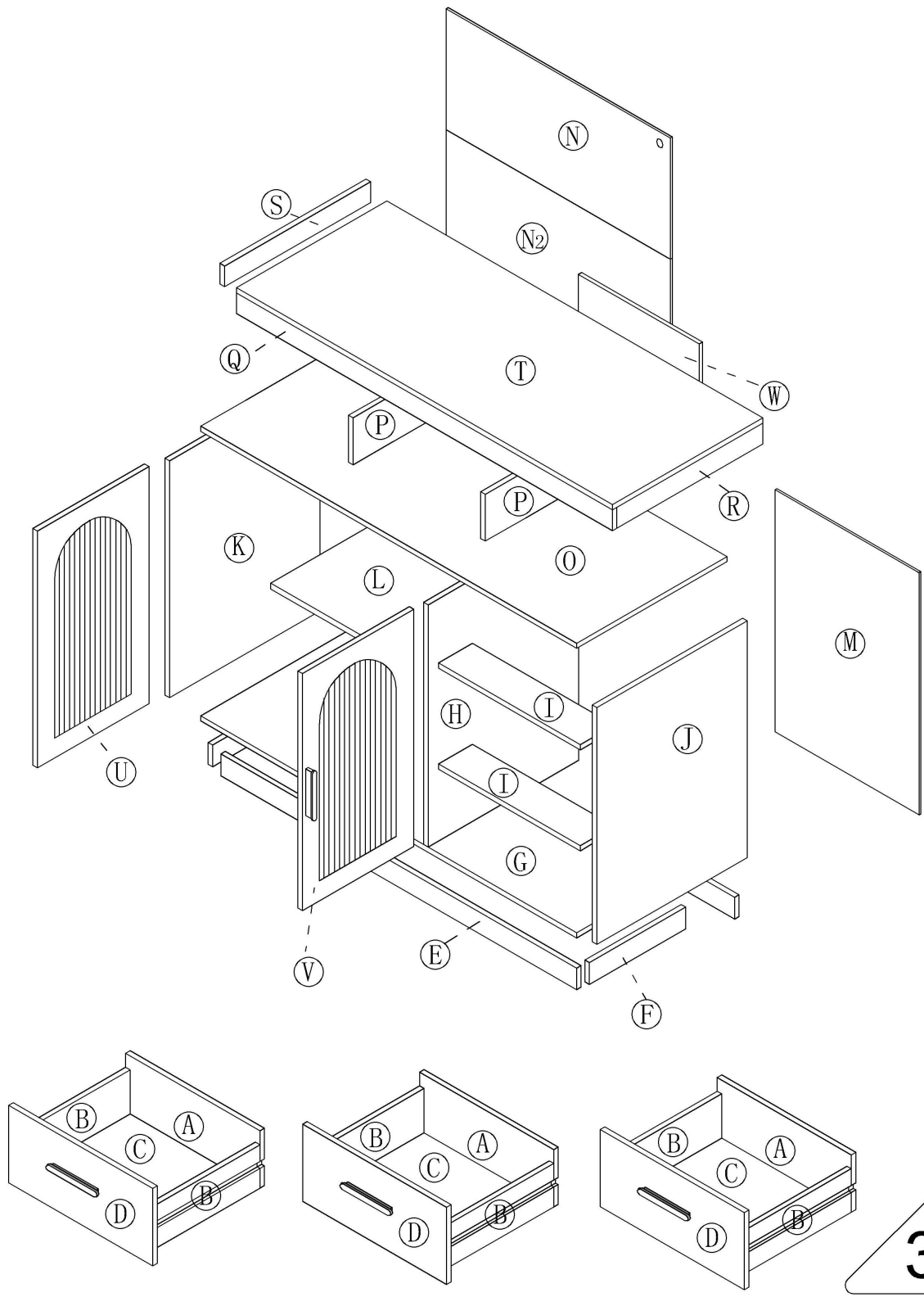
With a transparent protective film

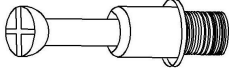
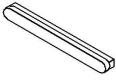


The function of the protective film is prevent the product from being scratched during transportation

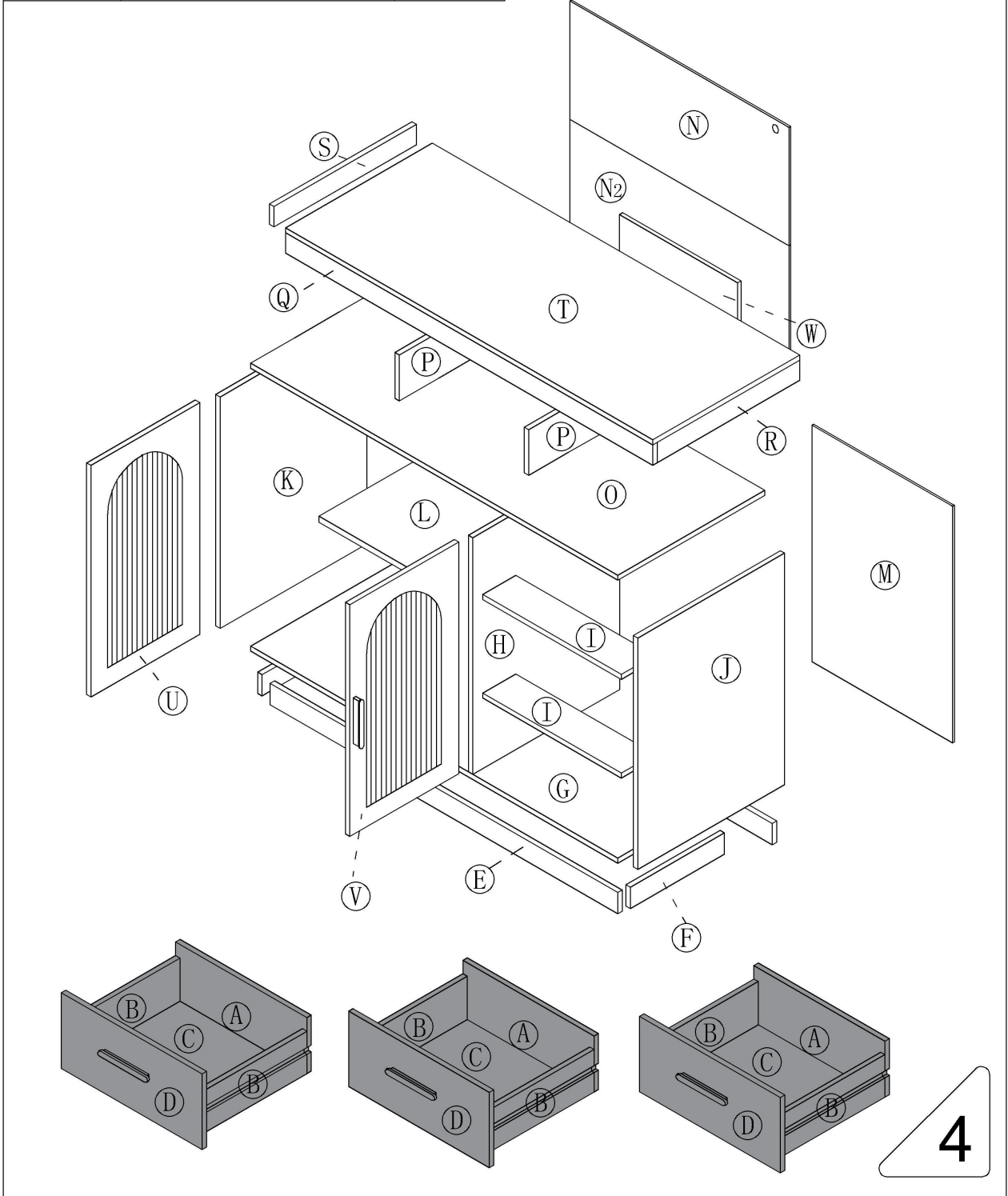
Please remove the protective film before installing the product,

Avoid difficult removal of the protective film after installation

Product structure decomposition

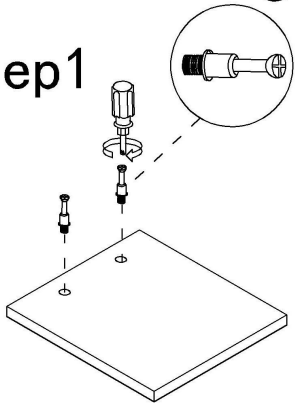


<p>1</p>		<p>24pcs</p>	<p>4</p>	 <p>3pcs</p>	 <p>6pcs</p>
<p>2</p>		<p>24pcs</p>			

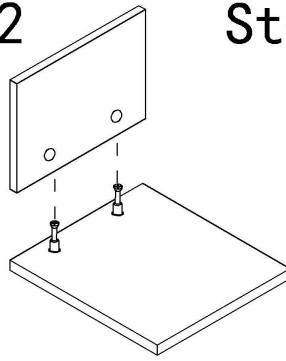


Use parts ① and ②

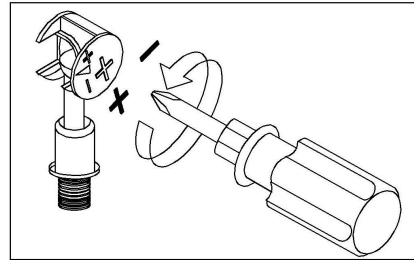
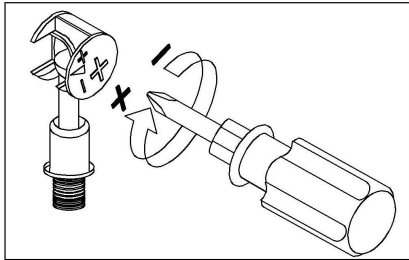
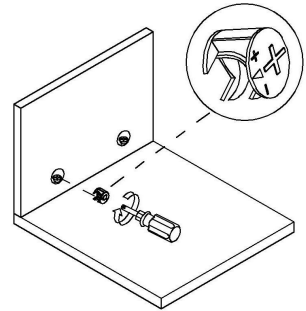
Step1



Step2



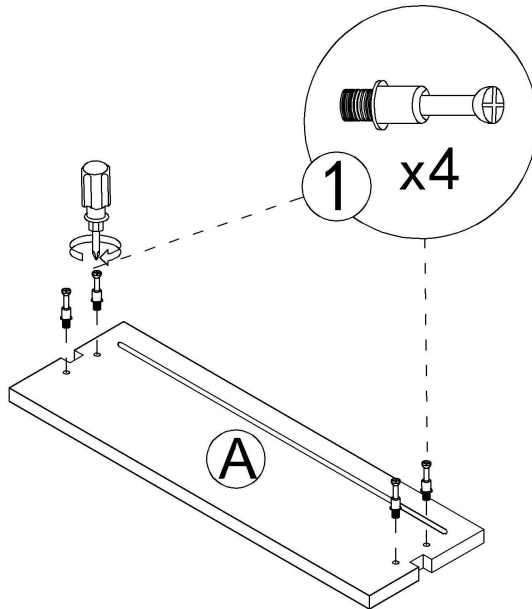
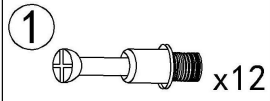
Step3



Use a screwdriver to lock in the direction of the "+" sign

Disassemble along the direction of "-" sign

Step 1

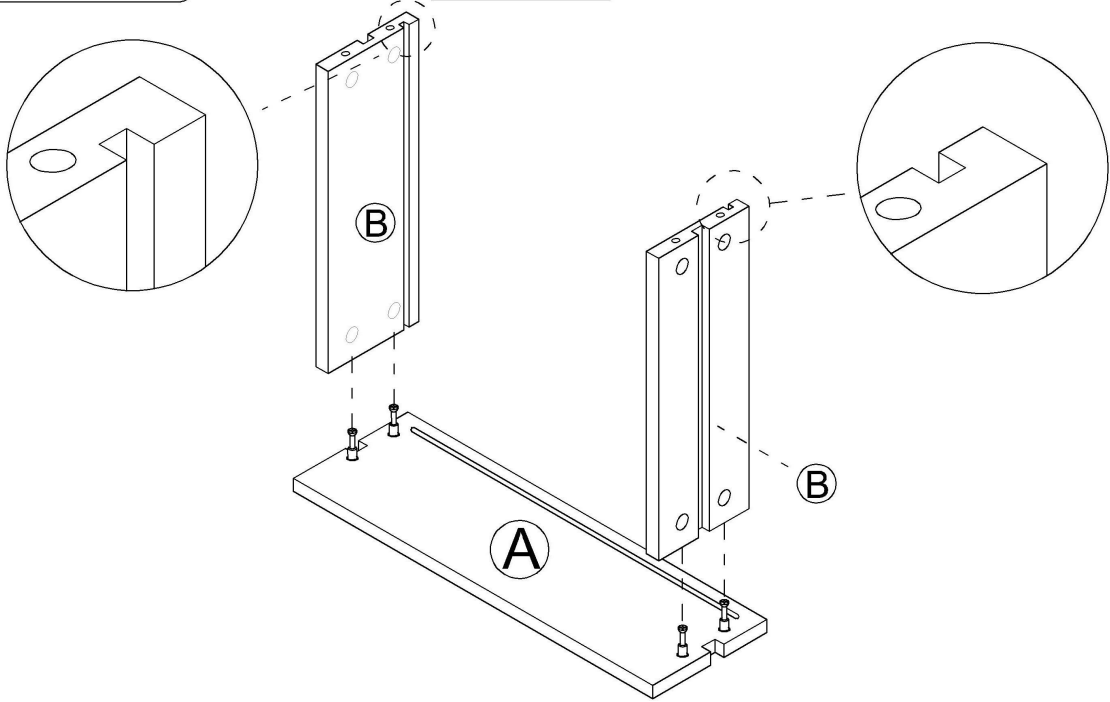


x3

5

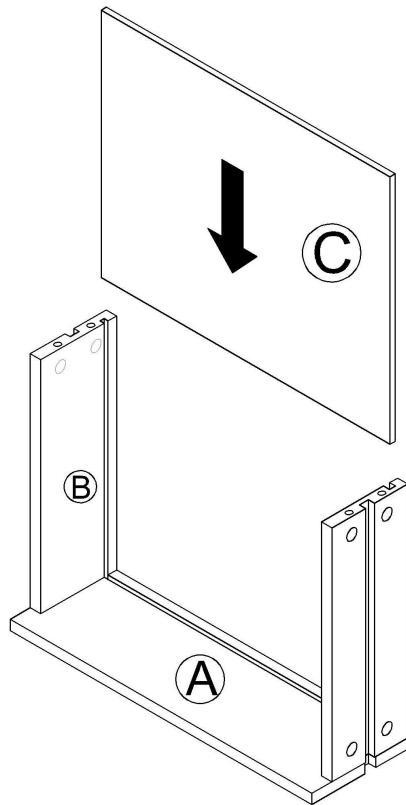
Step 2

x3



Step 3

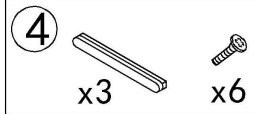
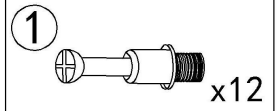
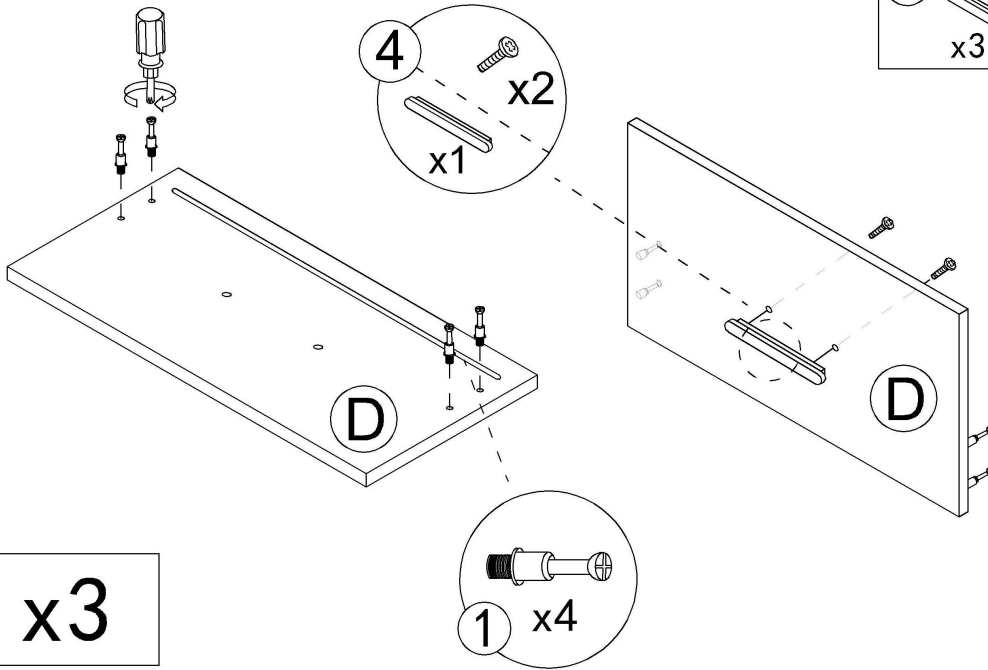
Cx3



x3

6

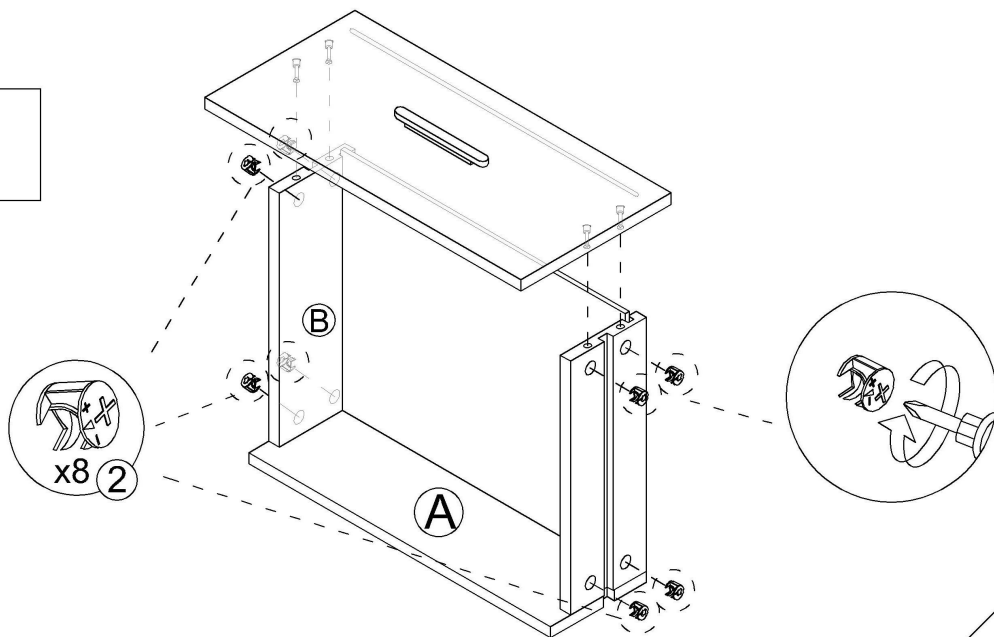
Step 4



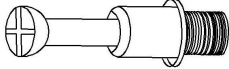


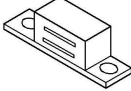


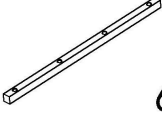

x3

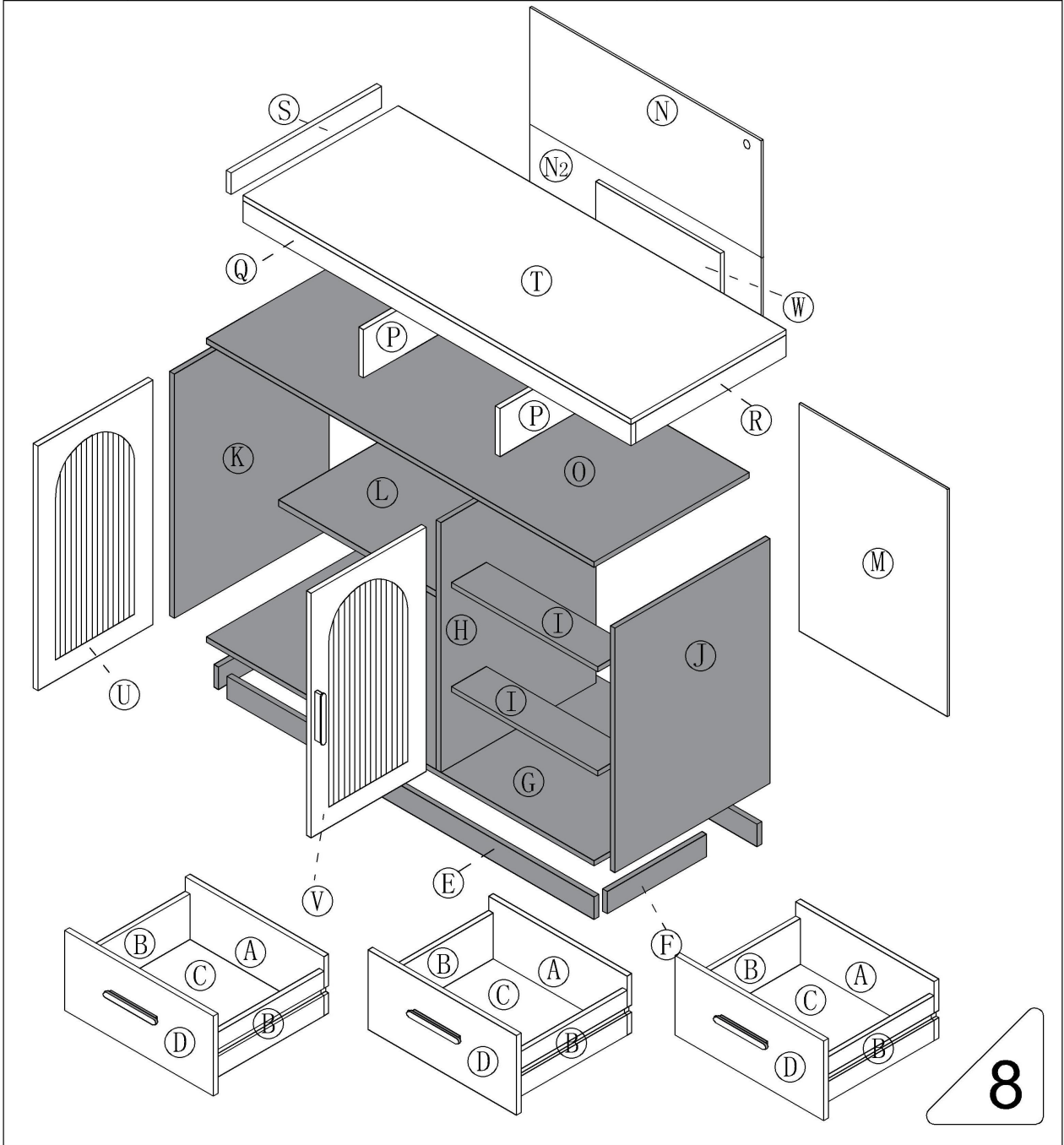
Step 5

x3

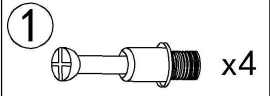
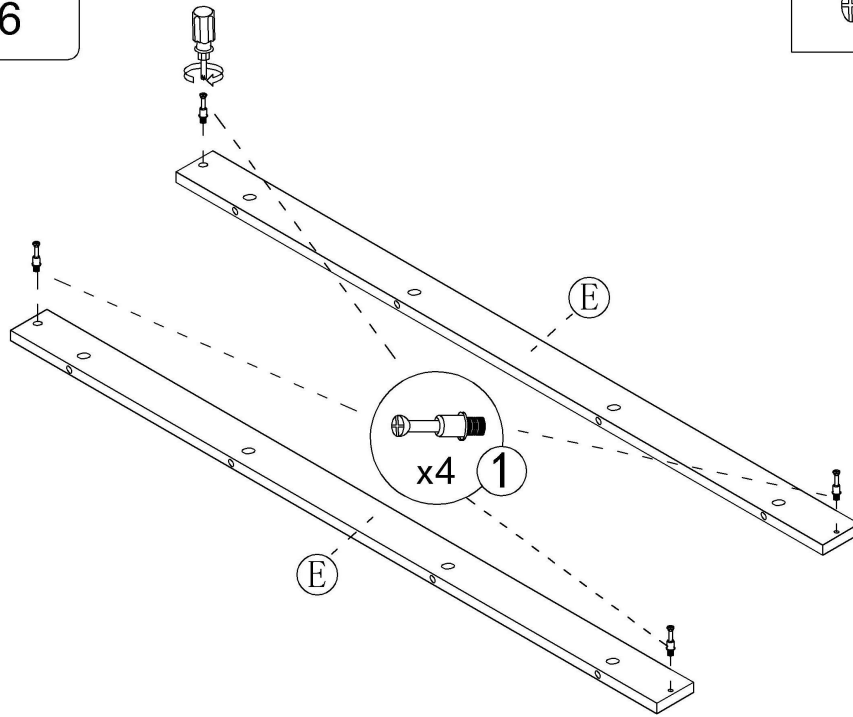


7

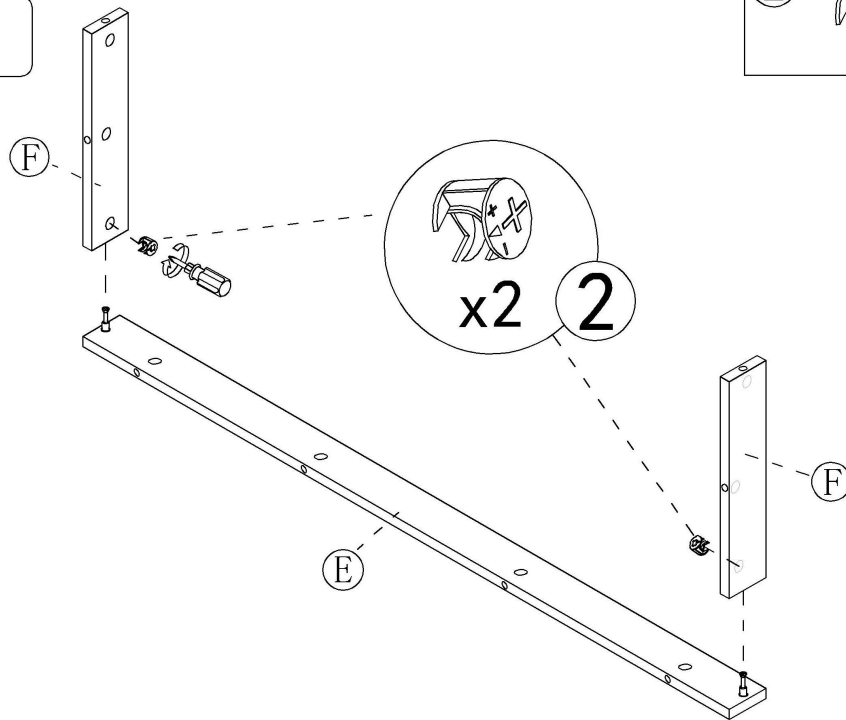
①		38pcs	③		16pcs
②		38pcs	⑦	 1pcs	 2pcs
⑨		6pcs	⑪	 6pcs	 24pcs



Step 6



Step 7

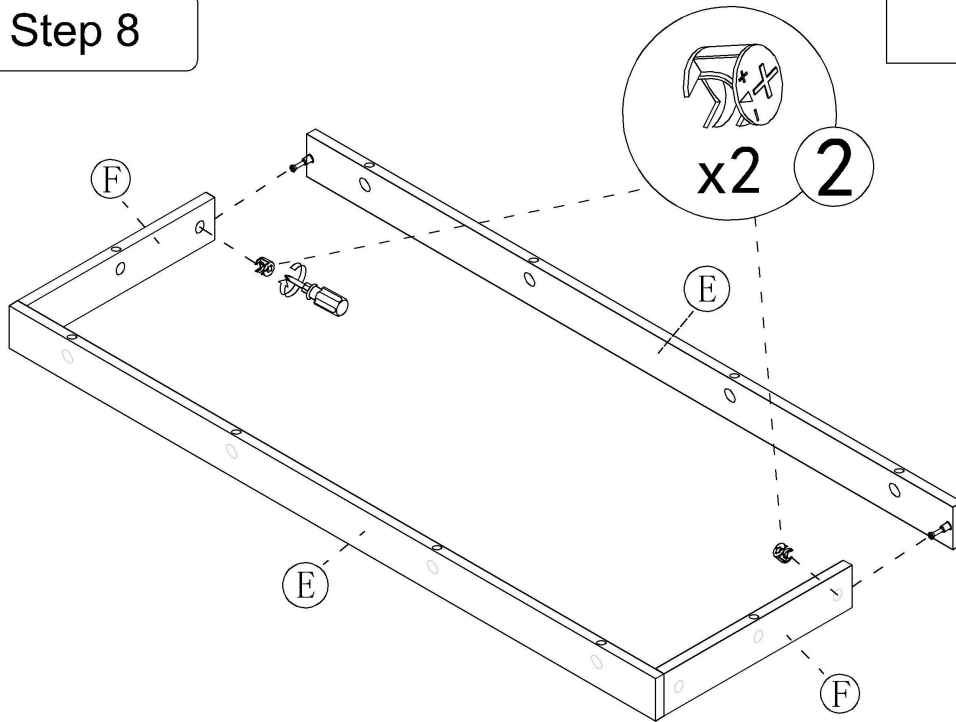


Step 8

2

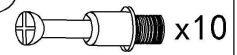


x2

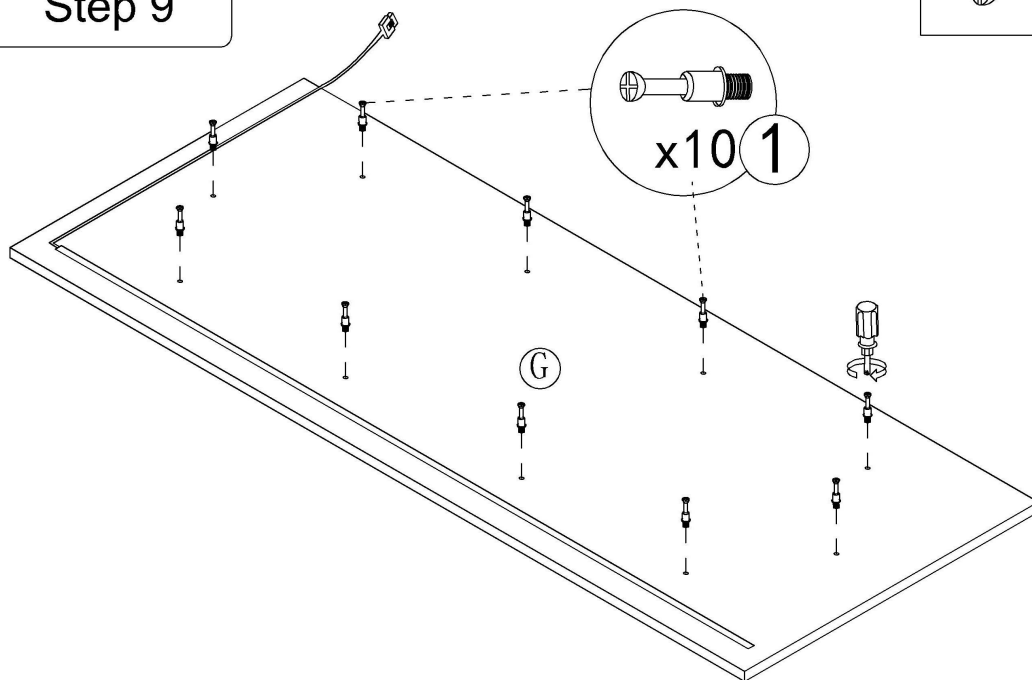


Step 9

1



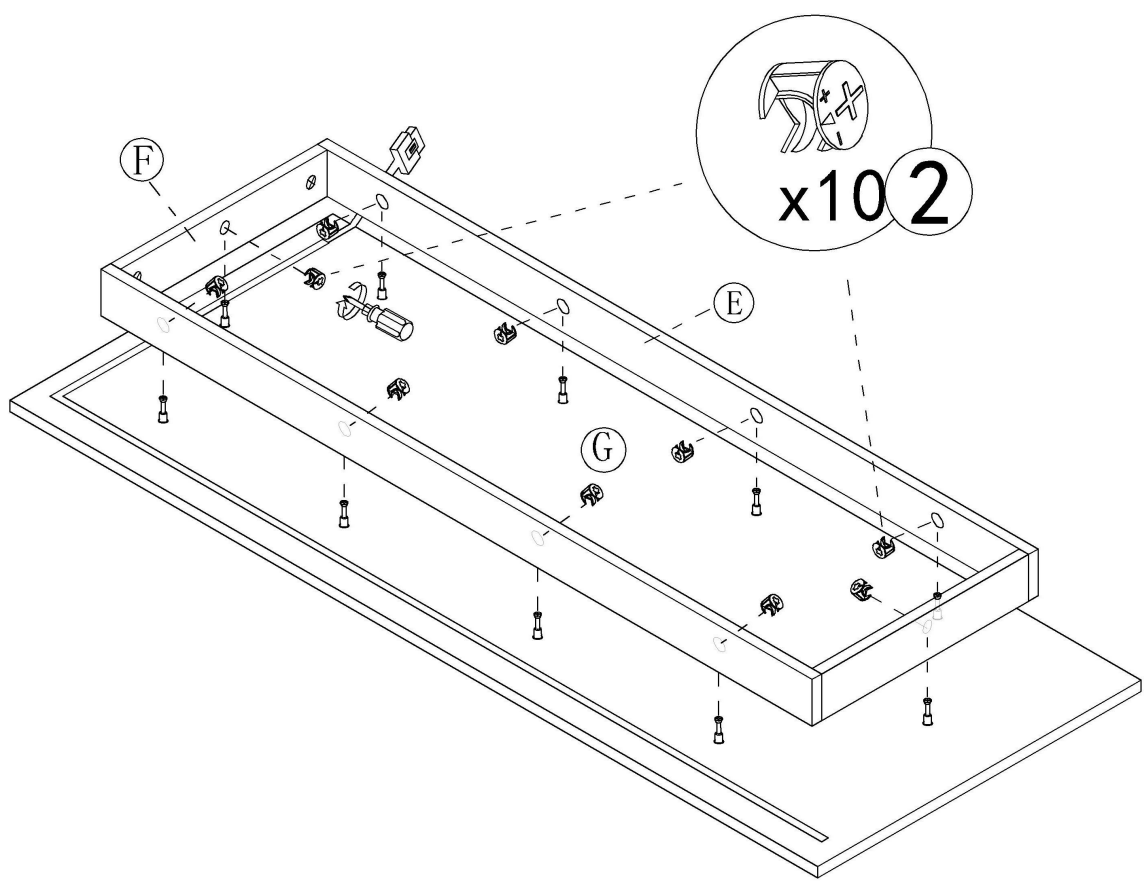
x10



10

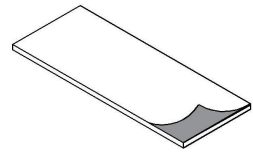
Step 10

2  x10



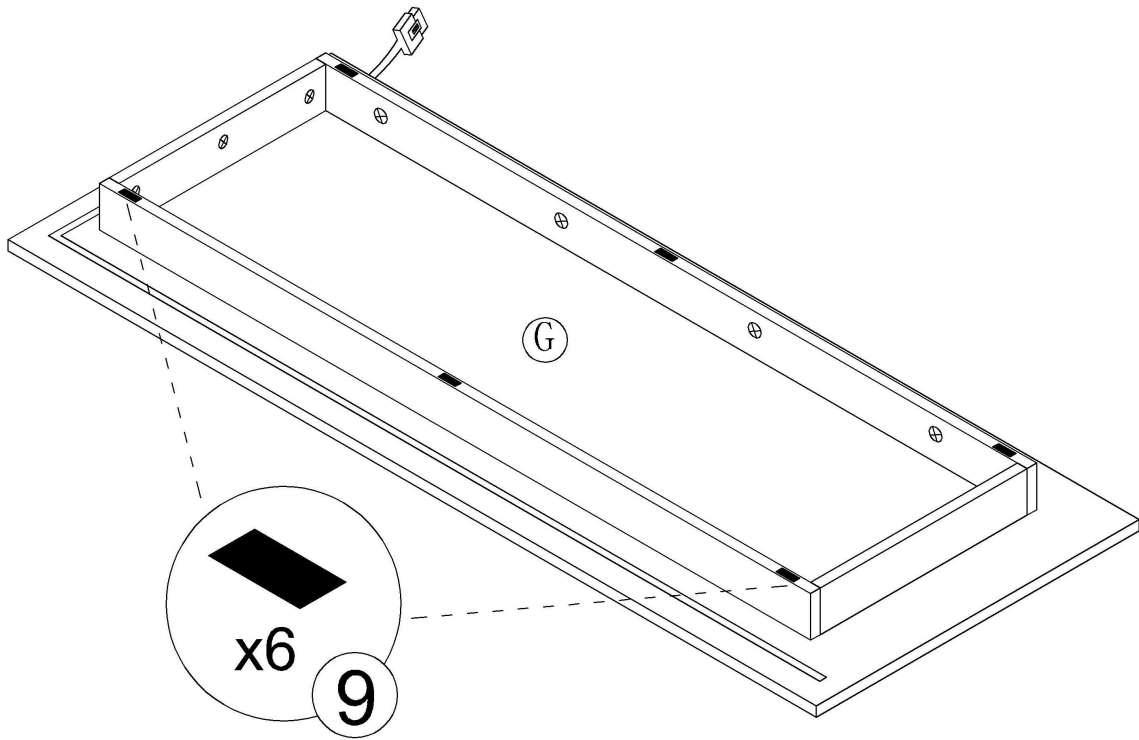
Step 11

9

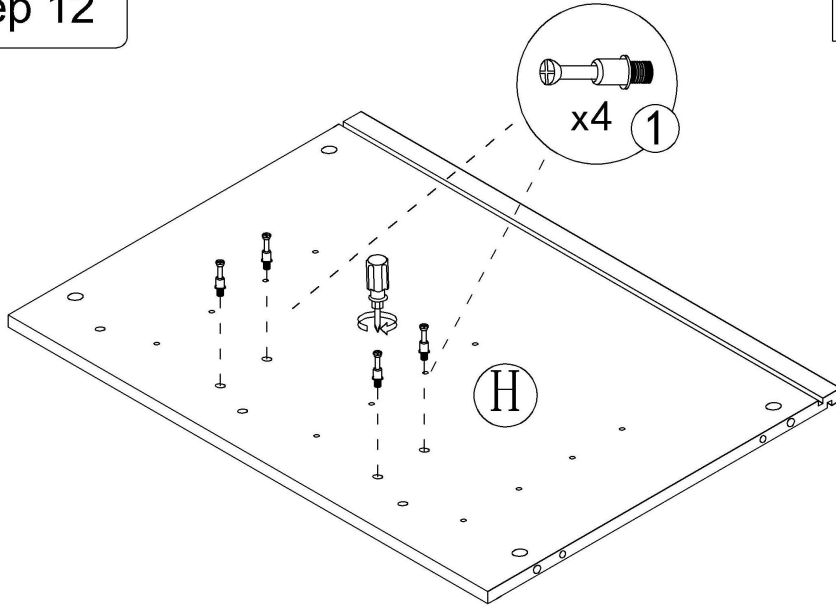
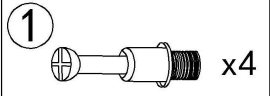


x6

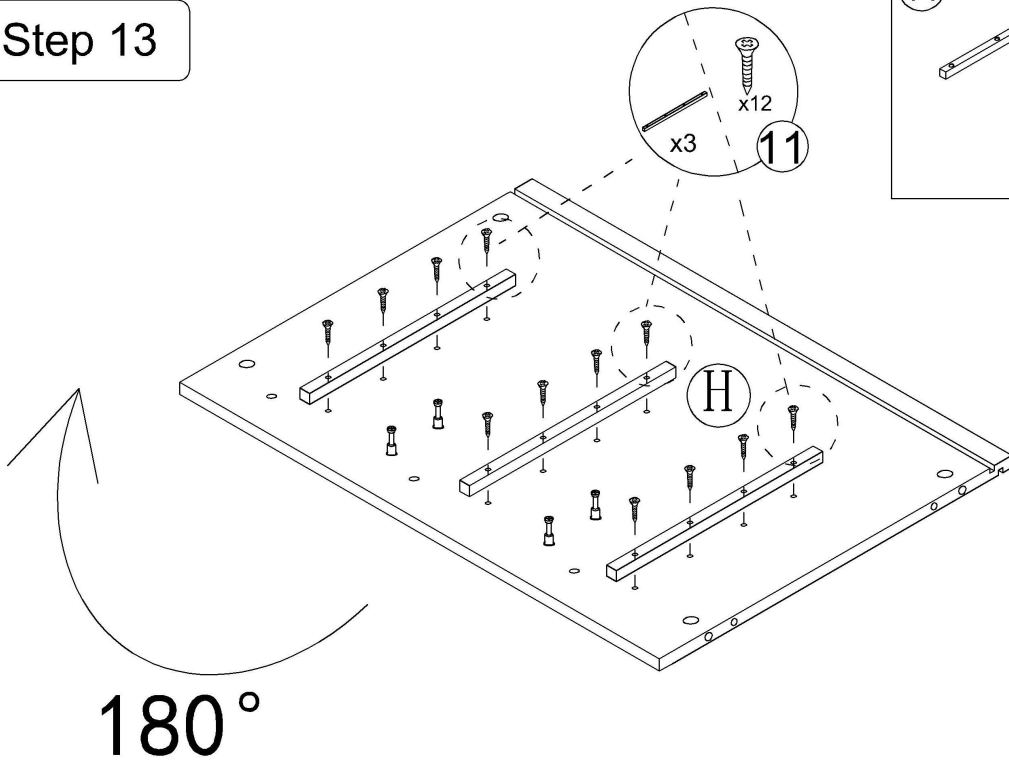
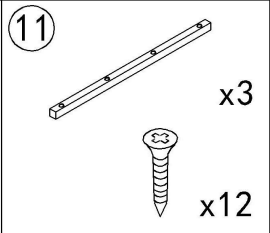
Tear off release paper and stick the black foot pad on the board



Step 12

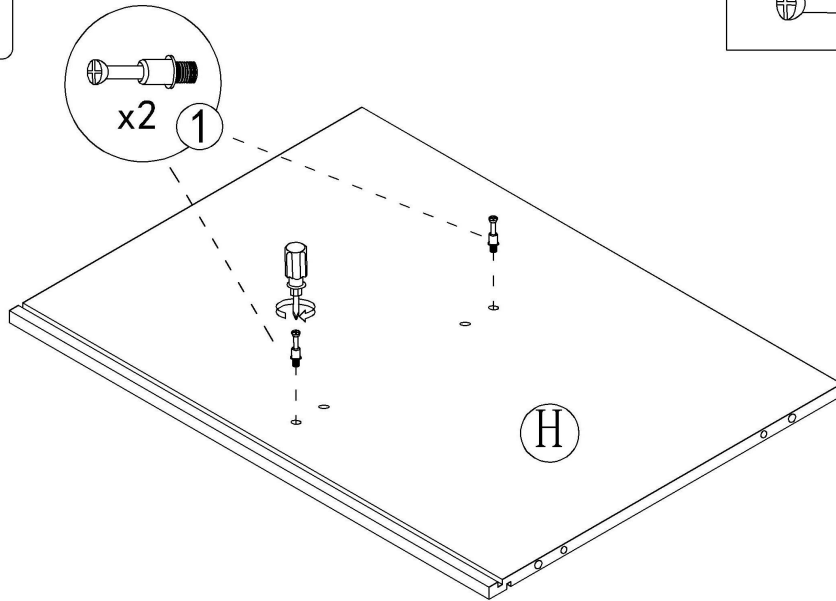
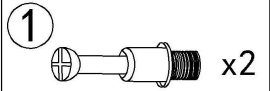


Step 13

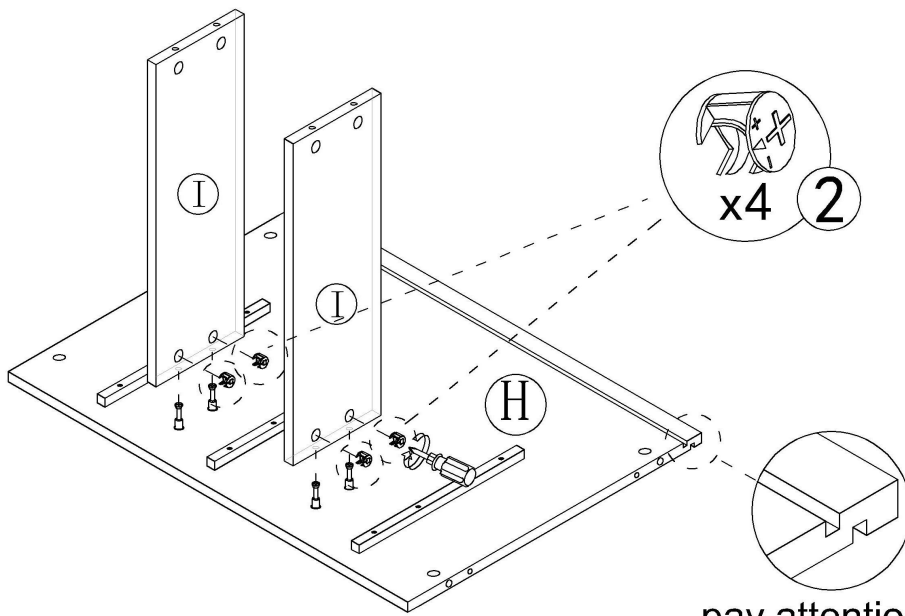


13

Step 14



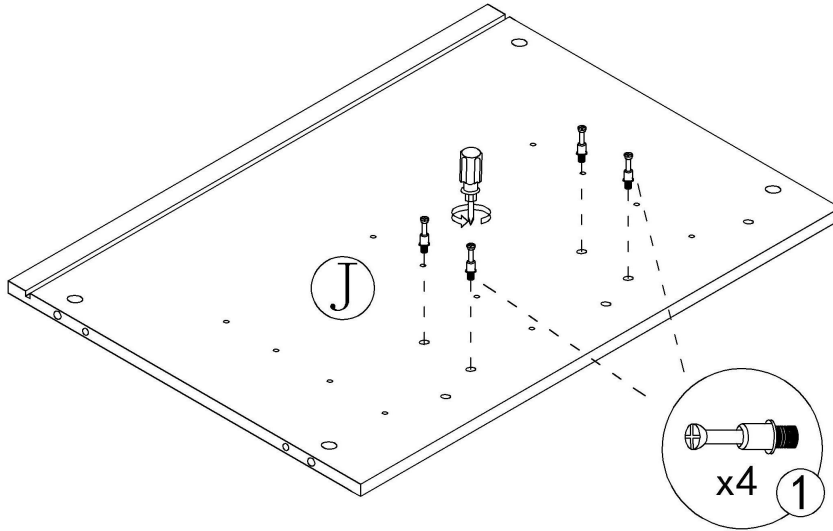
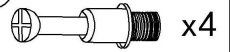
Step 15



pay attention to

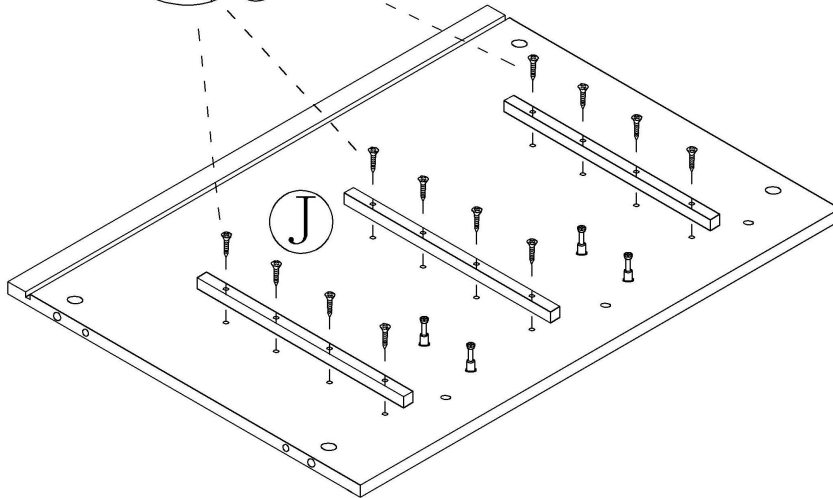
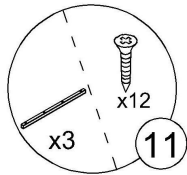
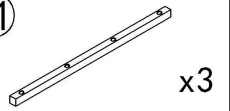
Step 16

1



Step 17

11

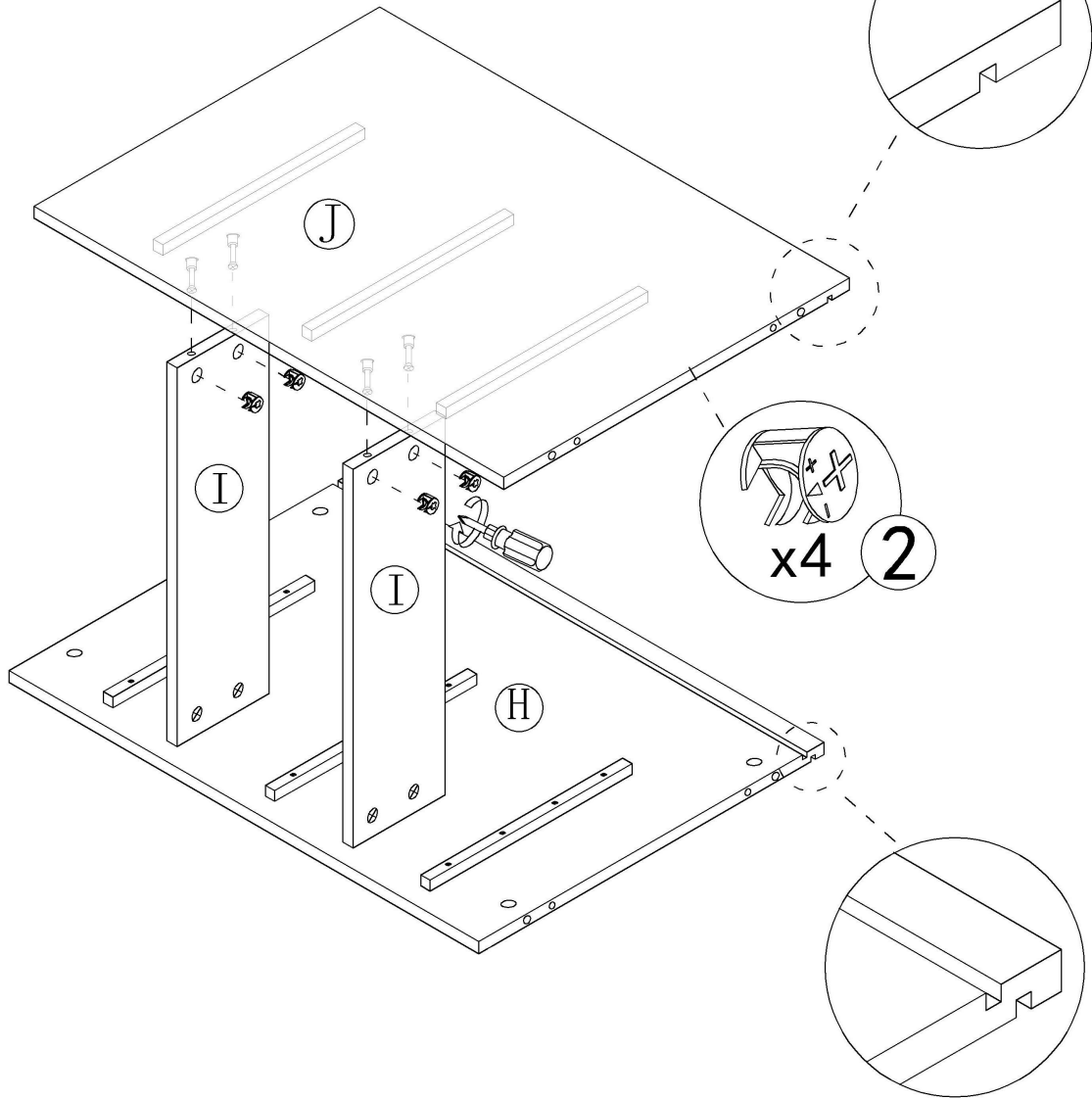


Step 18

2

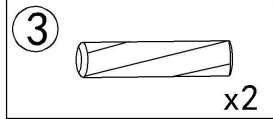
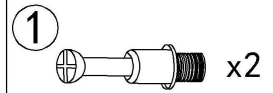
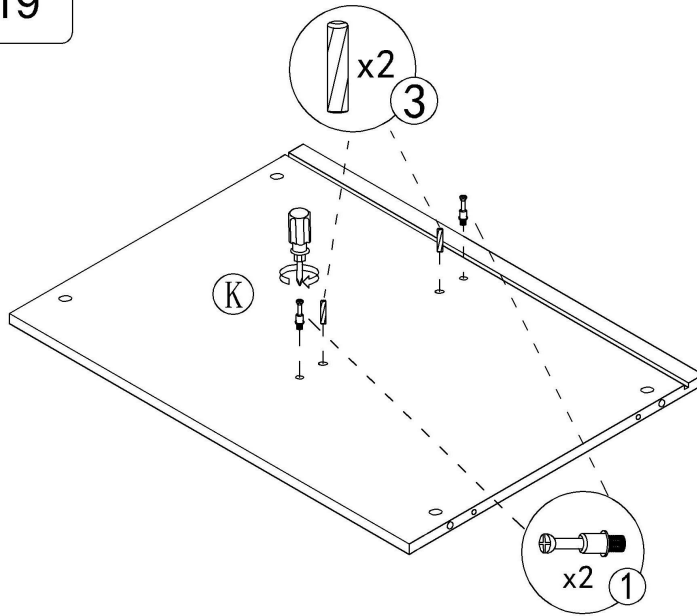


pay attention to

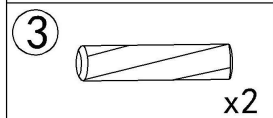
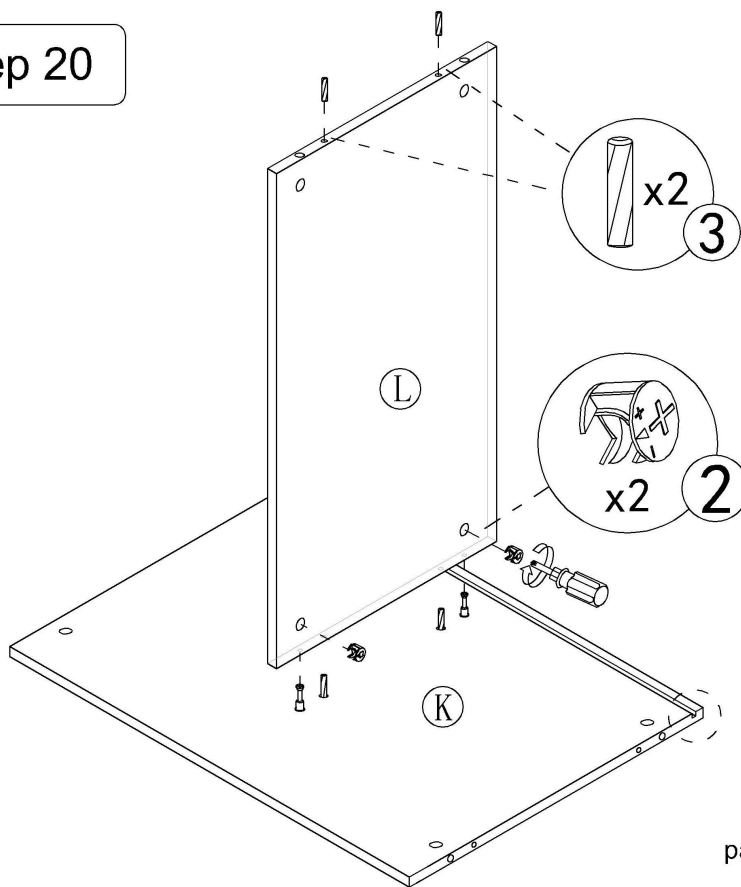


pay attention to

Step 19




Step 20

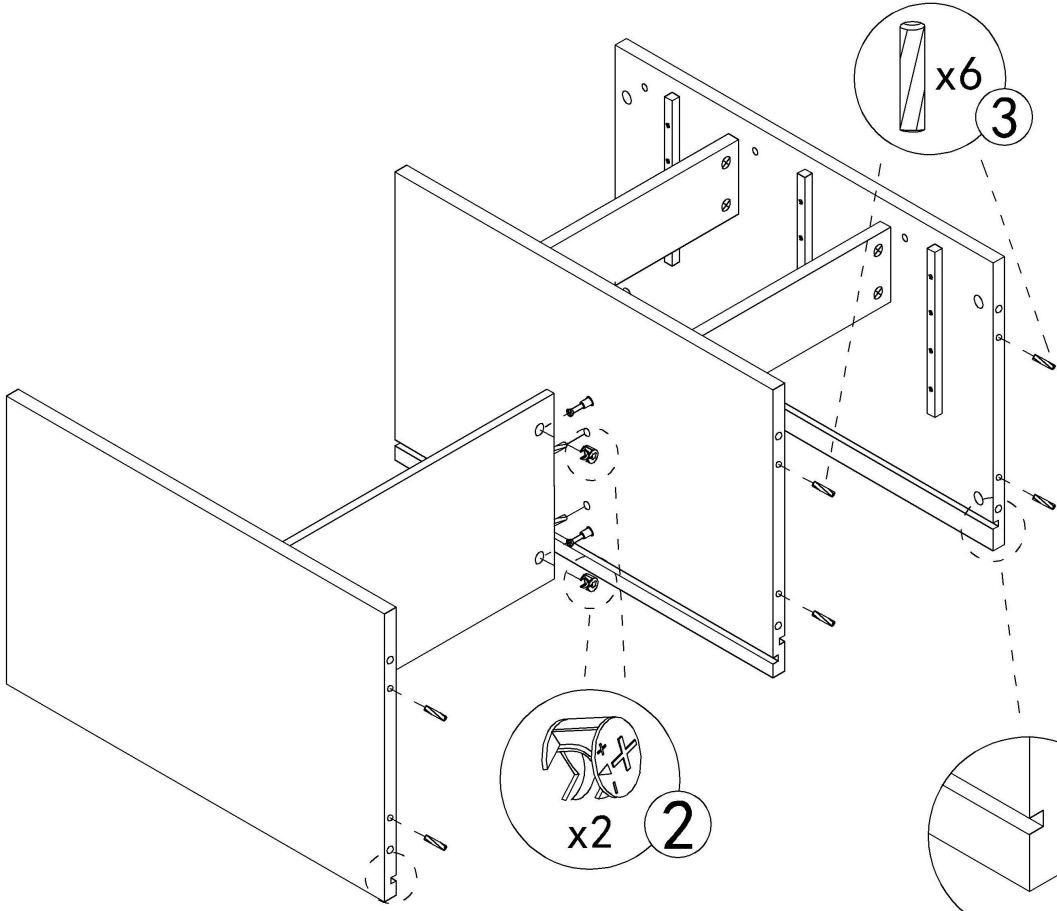



pay attention to


Step 21

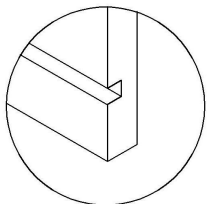
②  x2

③  x6

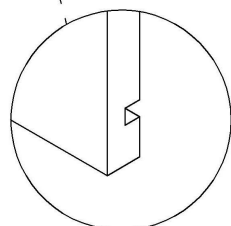


 x2 ②

 x6 ③

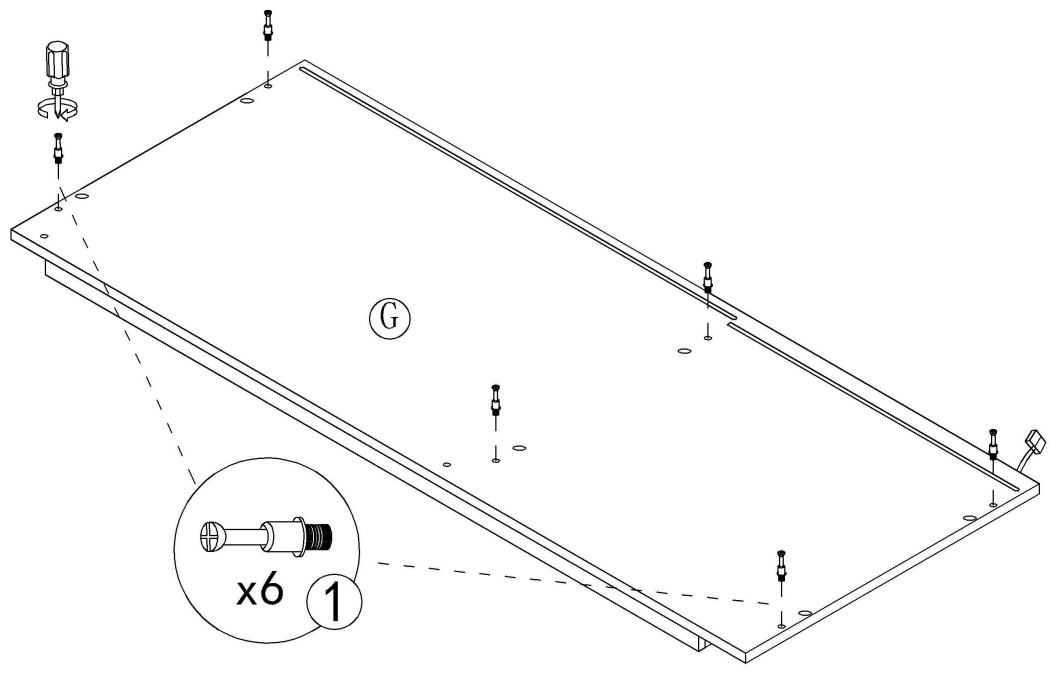
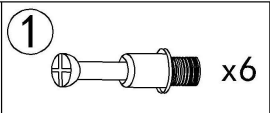


pay attention to



pay attention to

Step 22

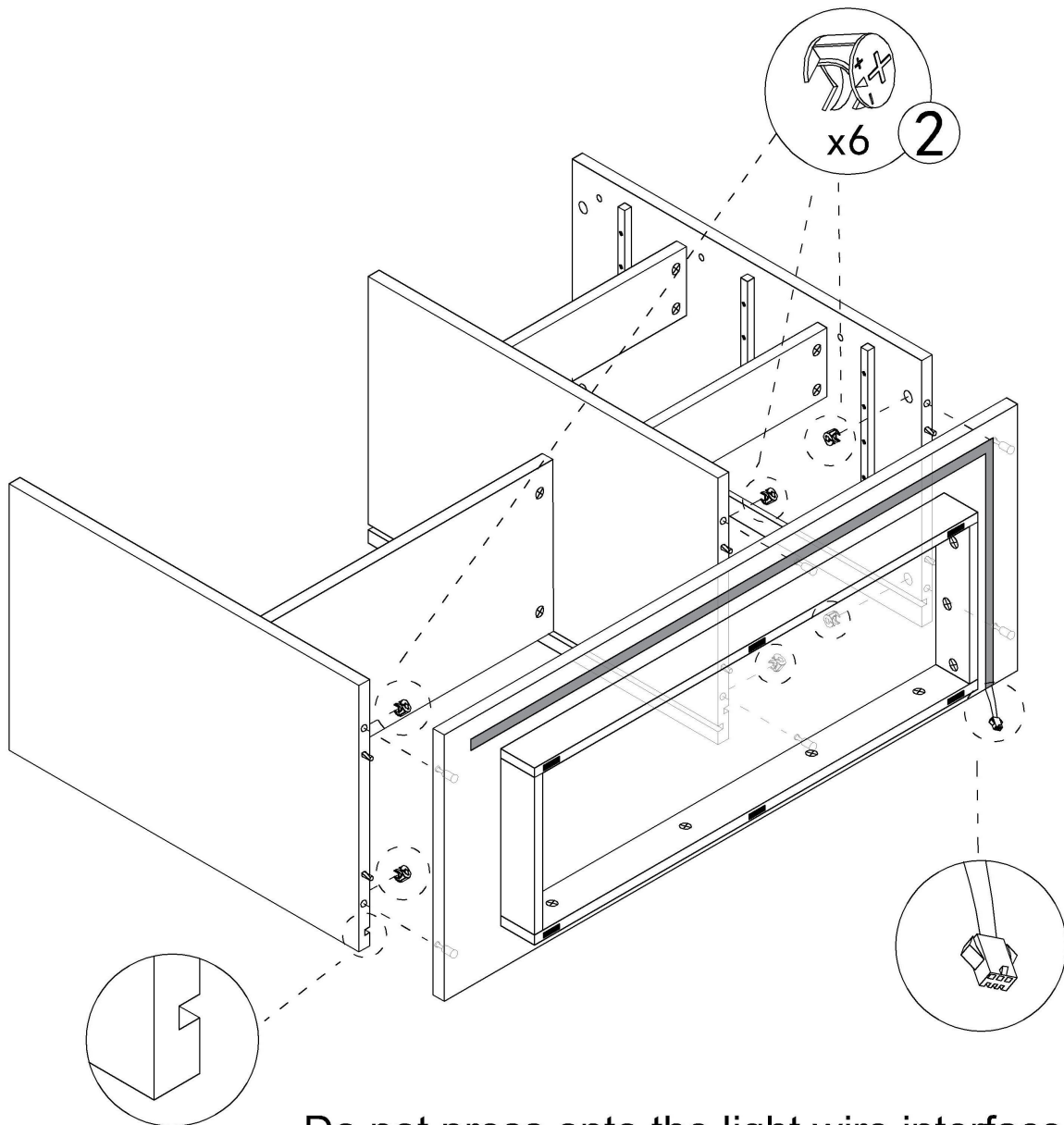


Step 23

2



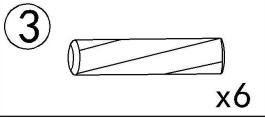
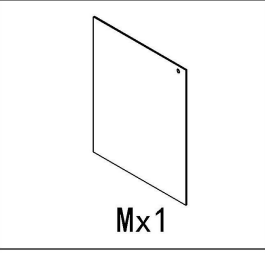
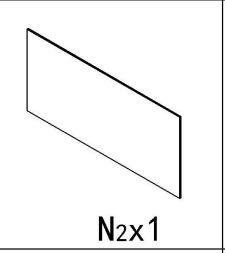
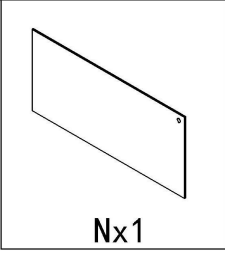
x6



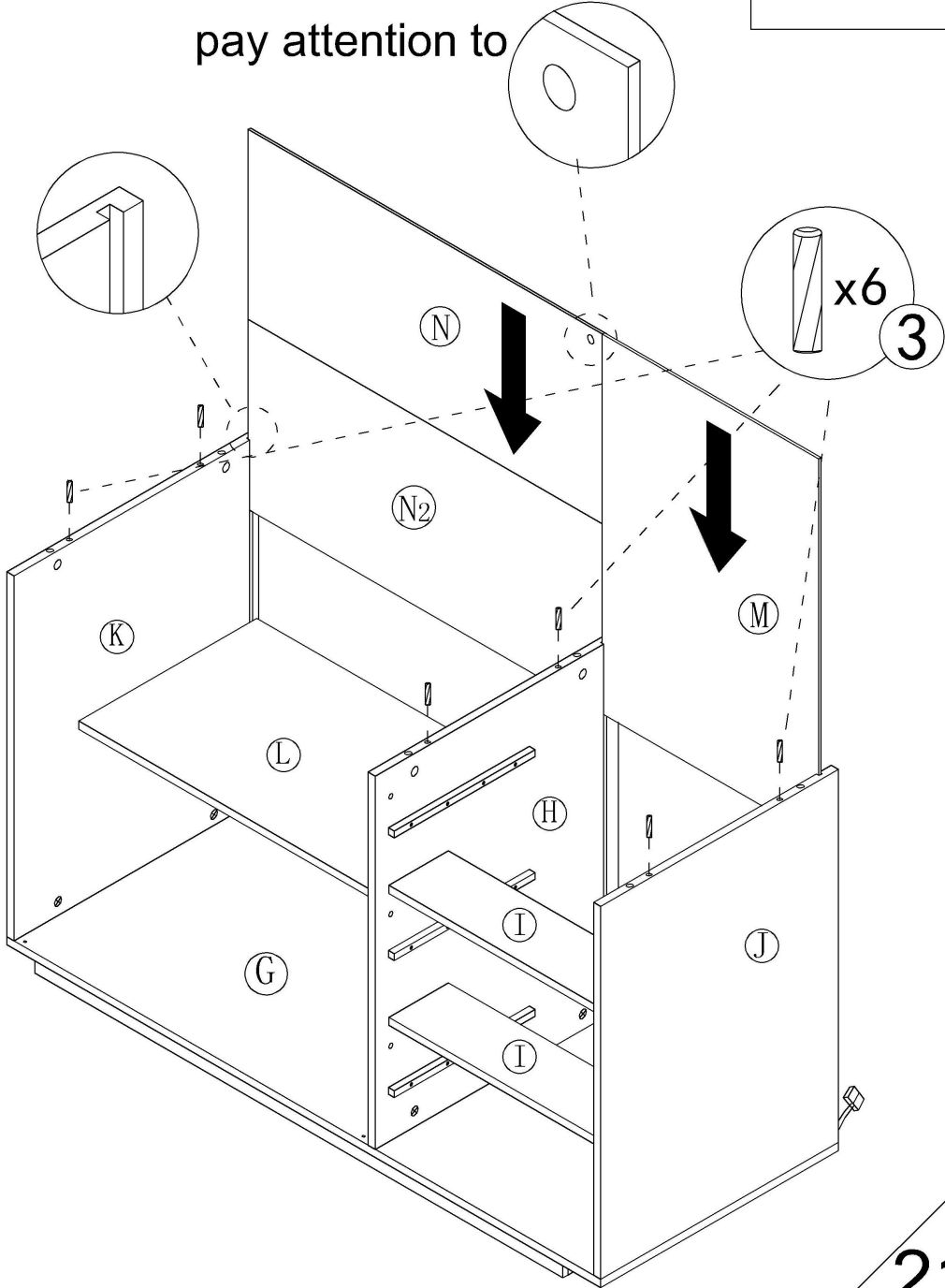
Do not press onto the light wire interface

20

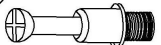
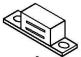

Step 24

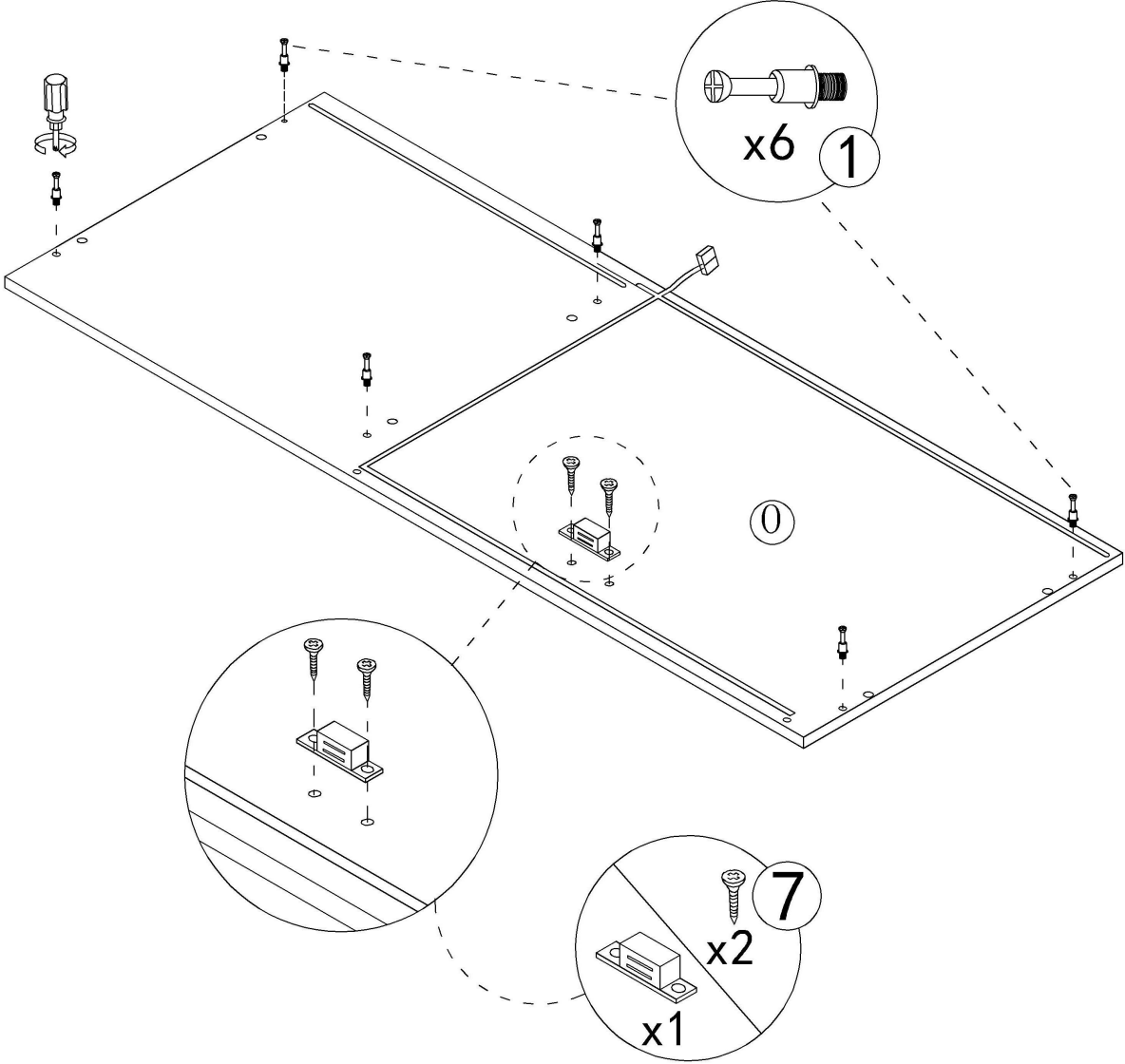


pay attention to



Step 25

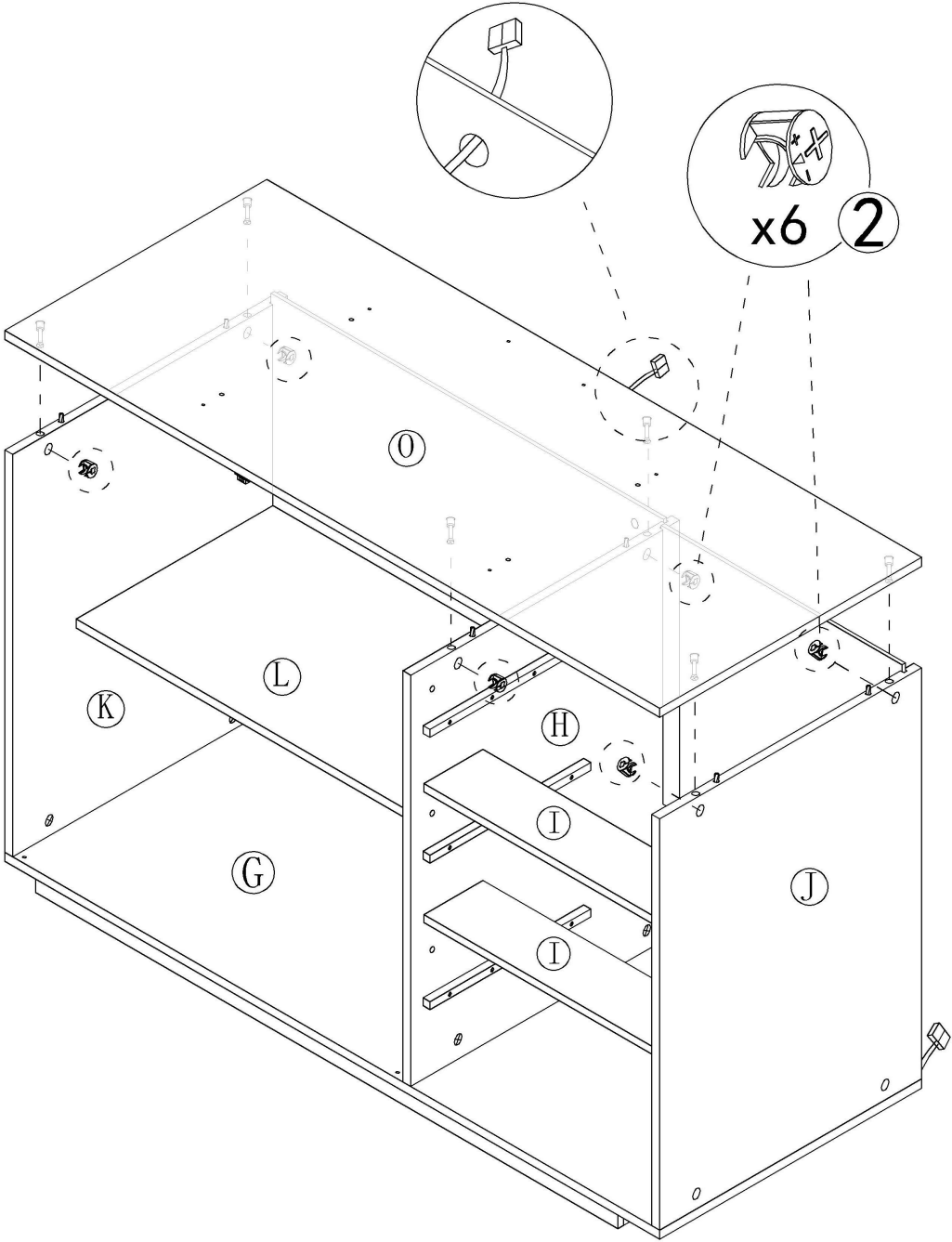
- ①  x6
- ⑦  x1  x2

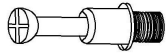






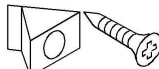








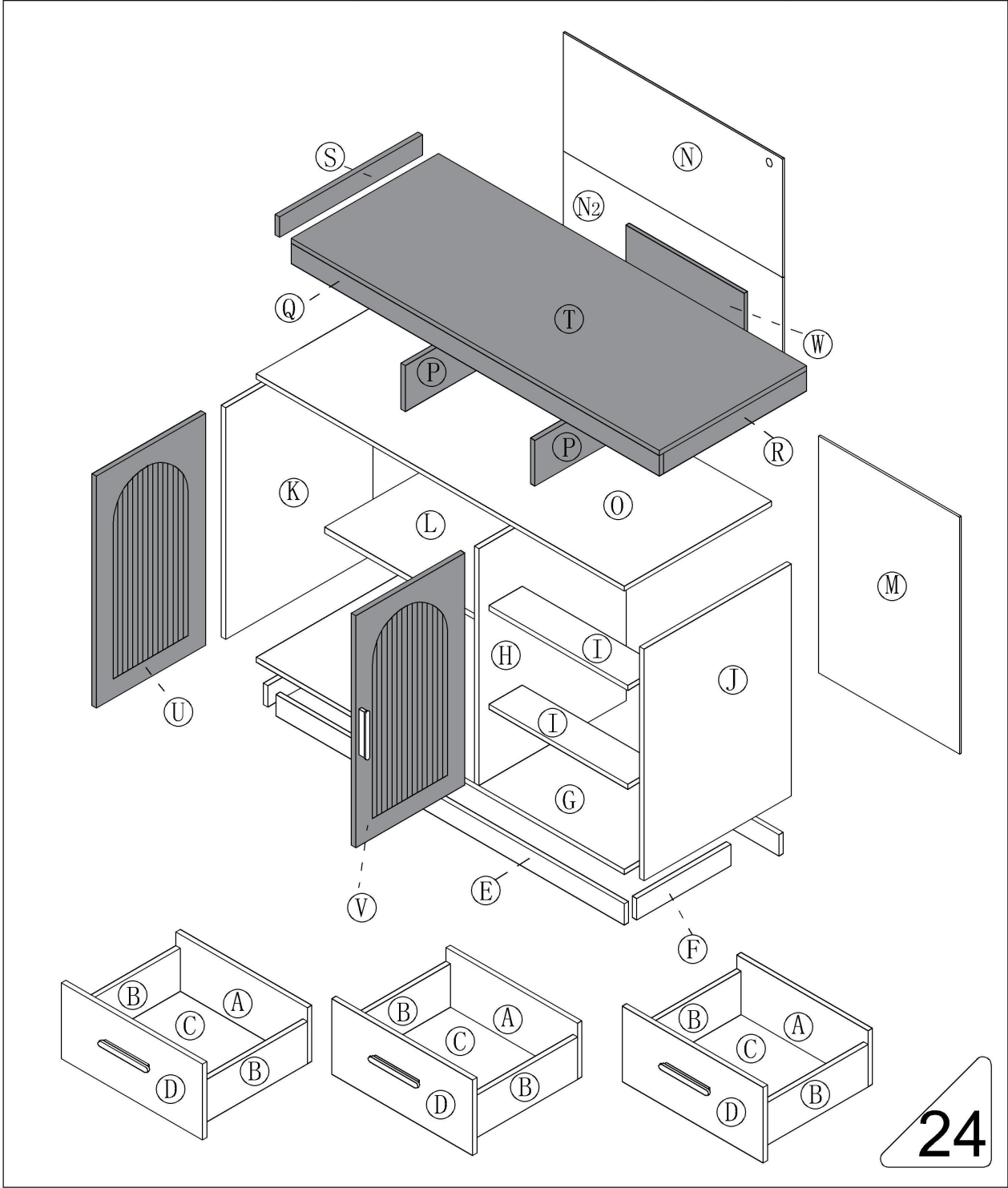
Step 26

2  x6

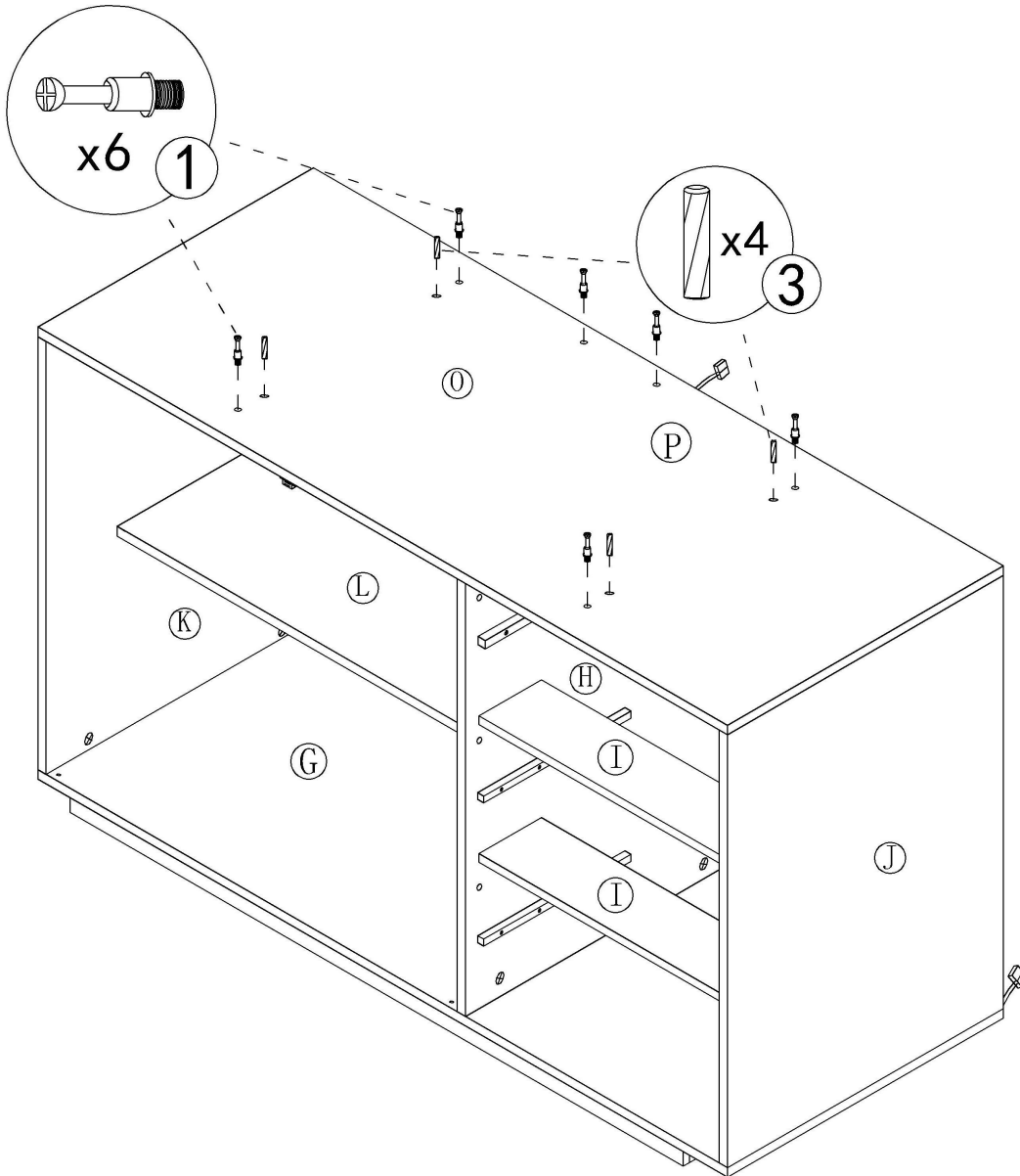
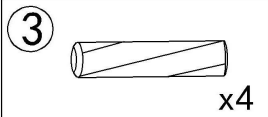
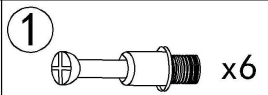
pay attention to



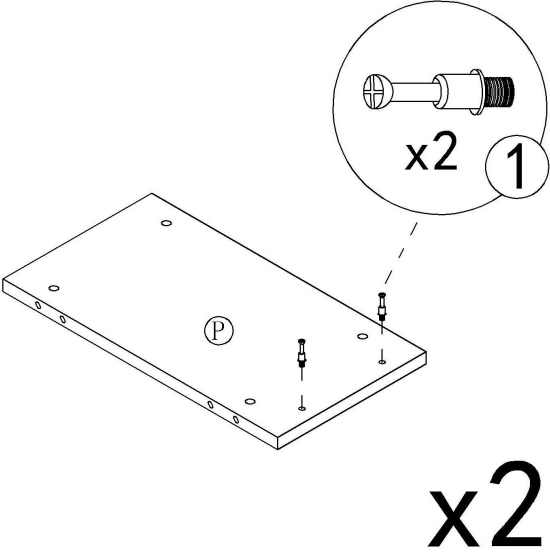
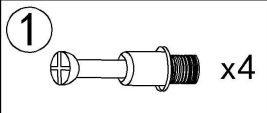
①		26pcs	④		2pcs		4pcs	⑧		2pcs		4pcs
②		26pcs	⑤				6pcs	⑩				8pcs
③		8pcs	⑥		8pcs		4pcs					1pcs



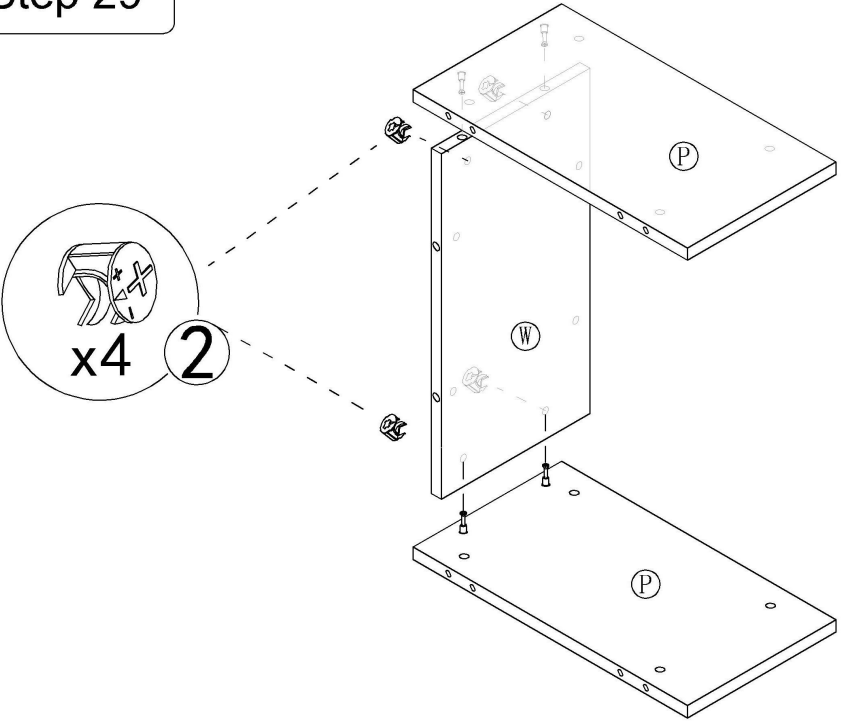
Step 27



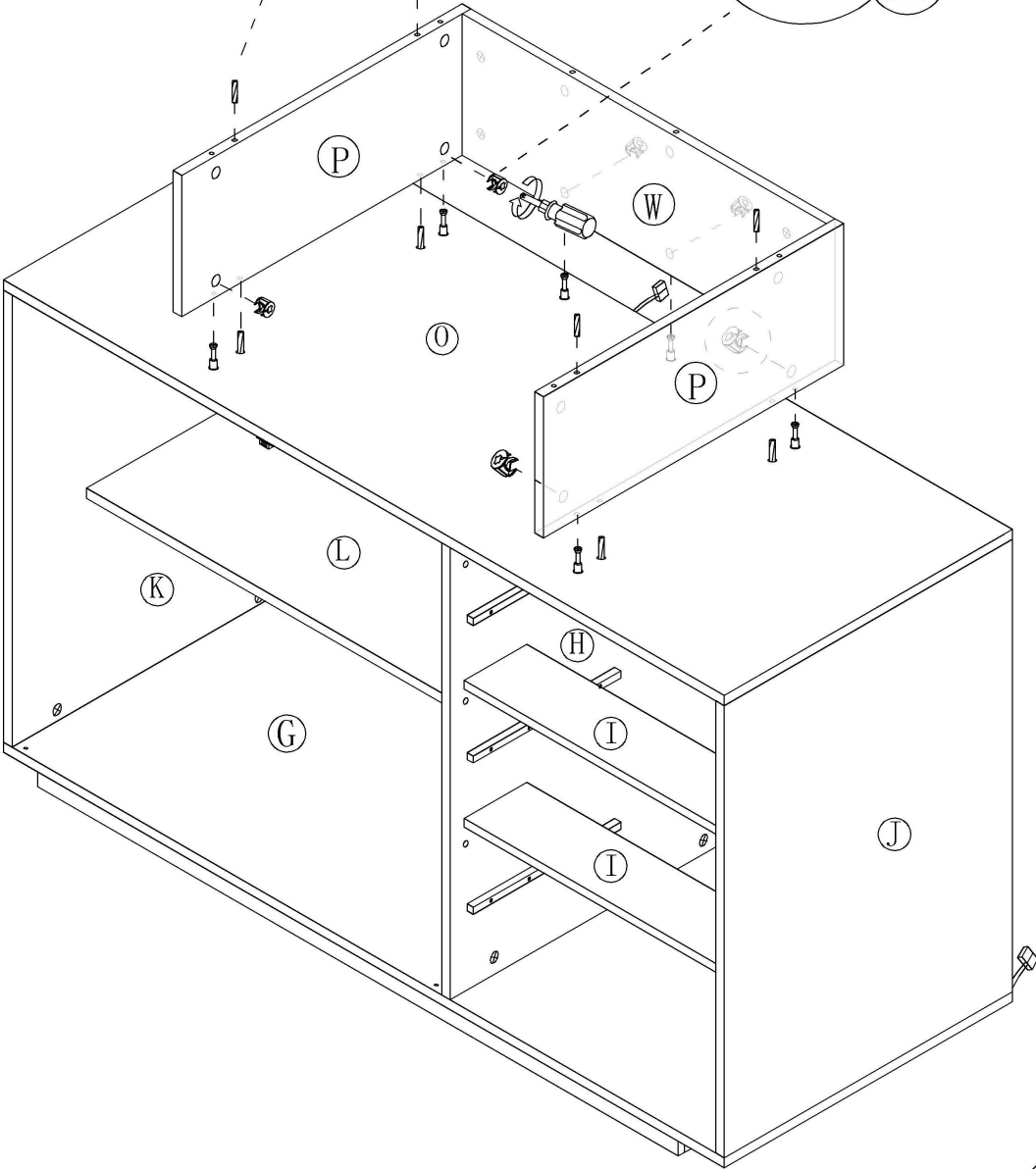
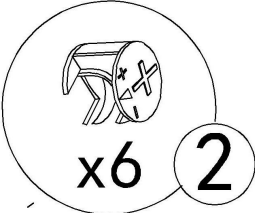
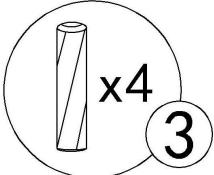
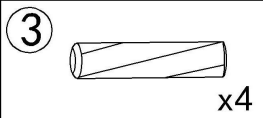
Step 28



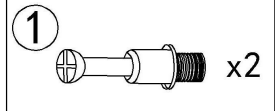
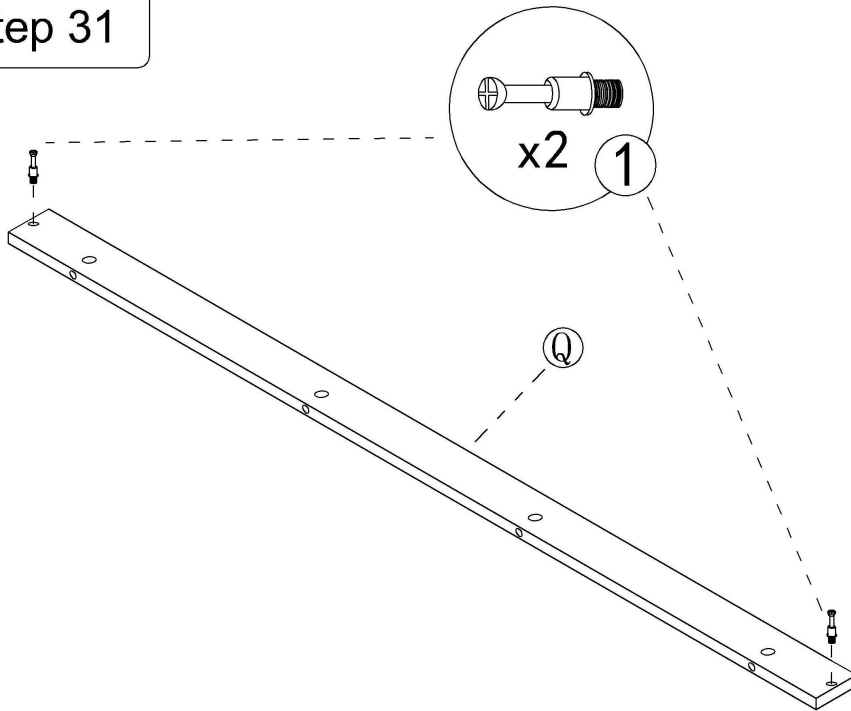
Step 29



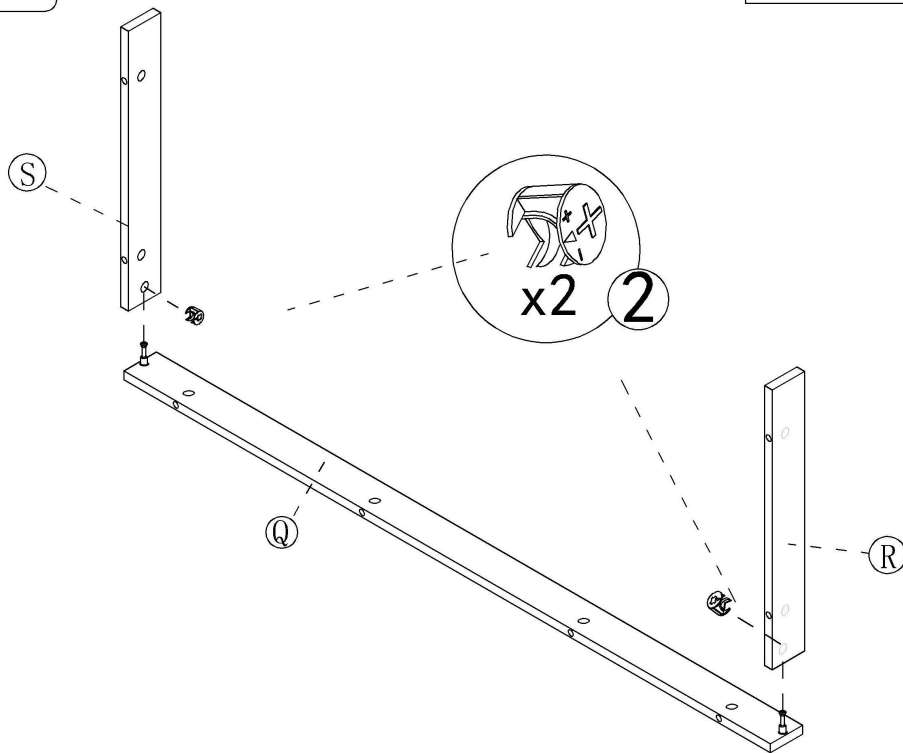
Step 30



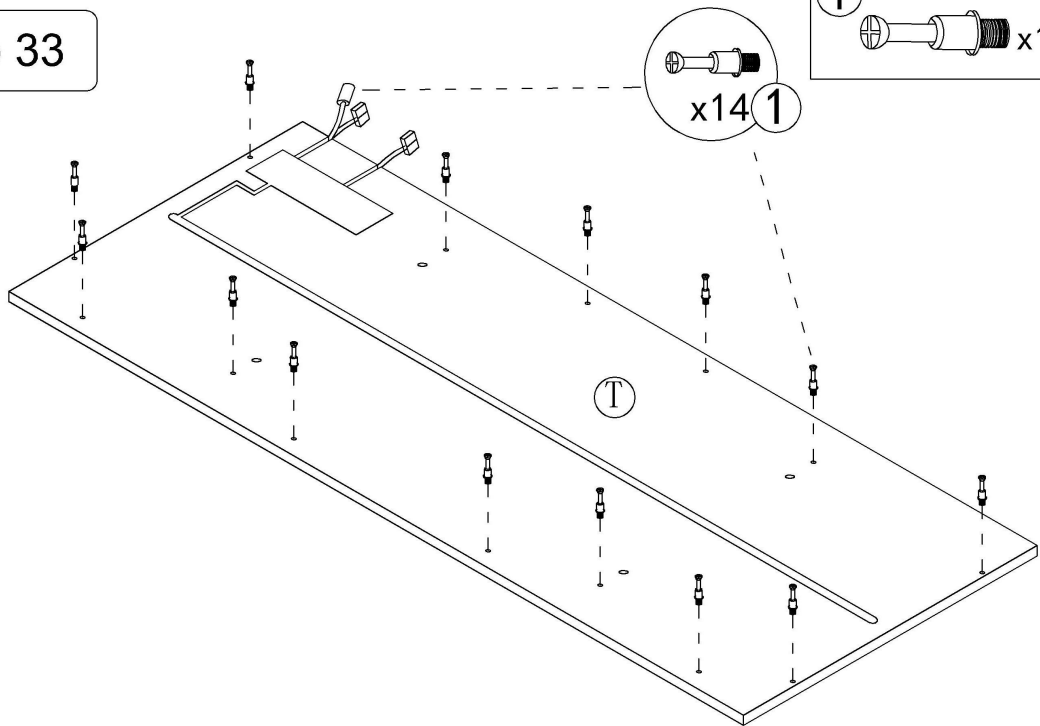
Step 31



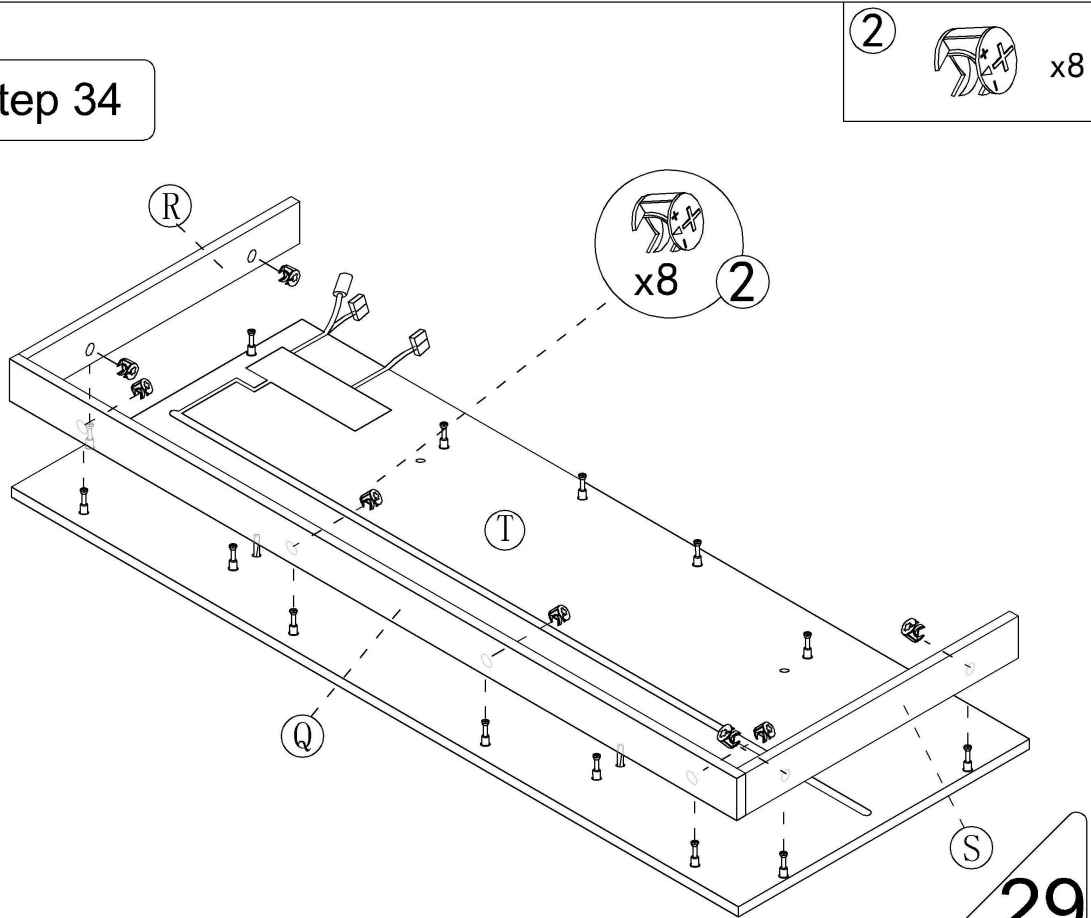
Step 32



Step 33



Step 34

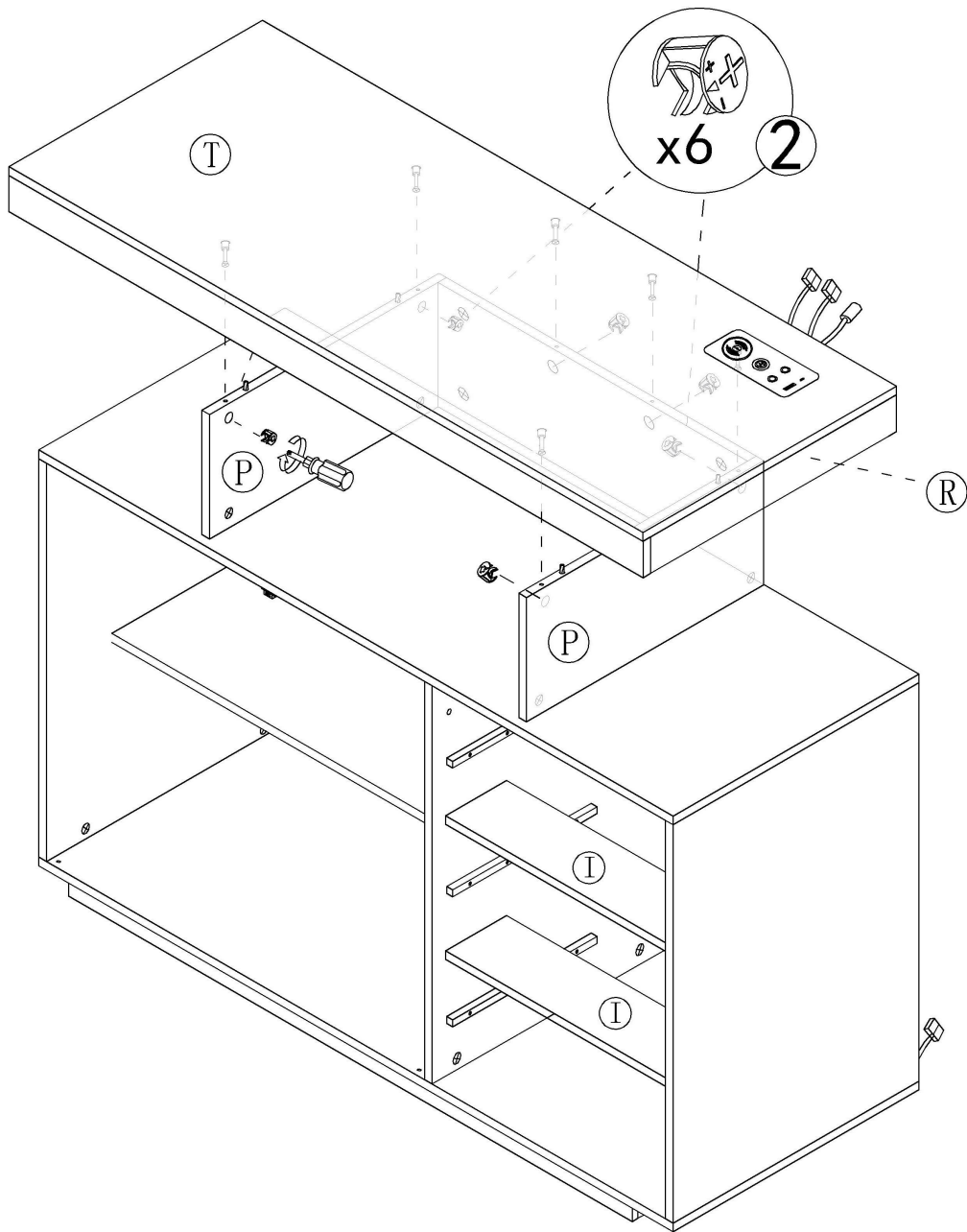


Step 35

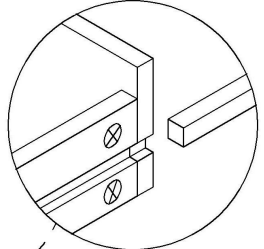
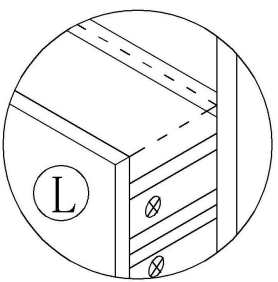
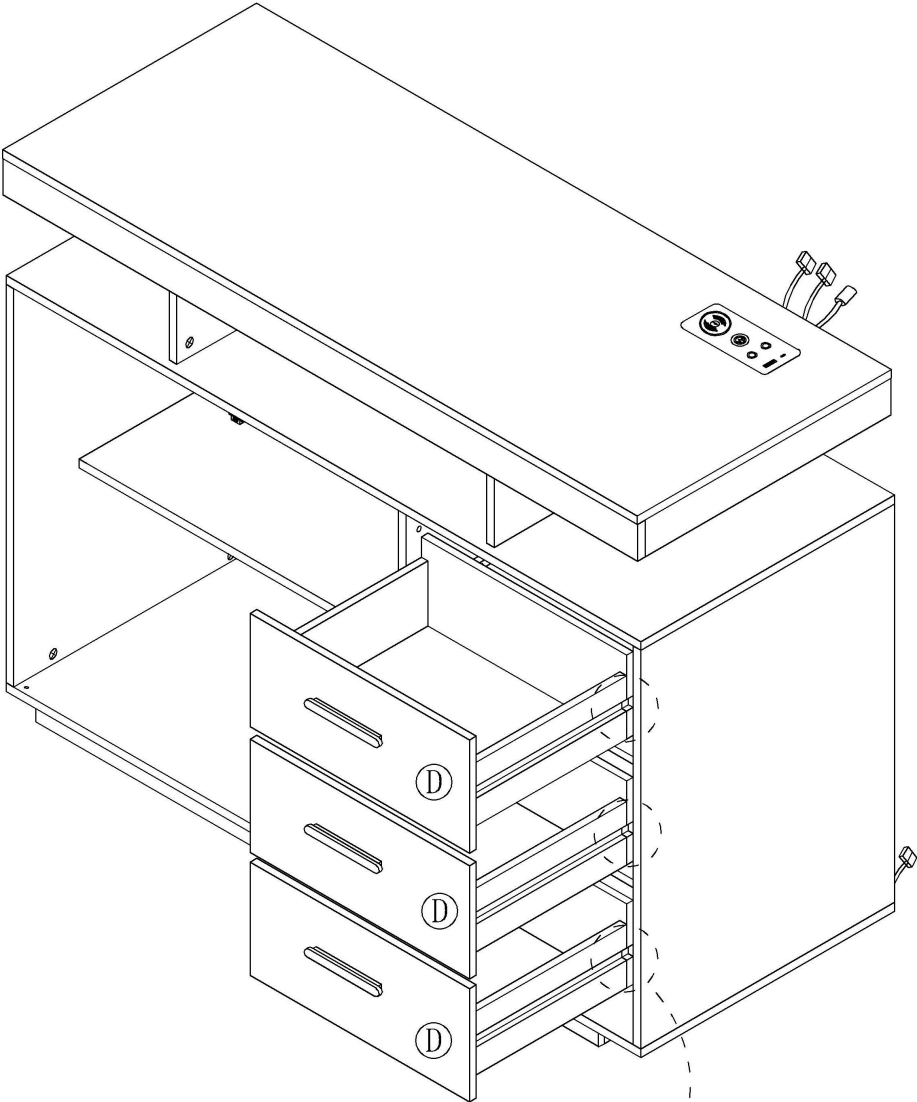
2



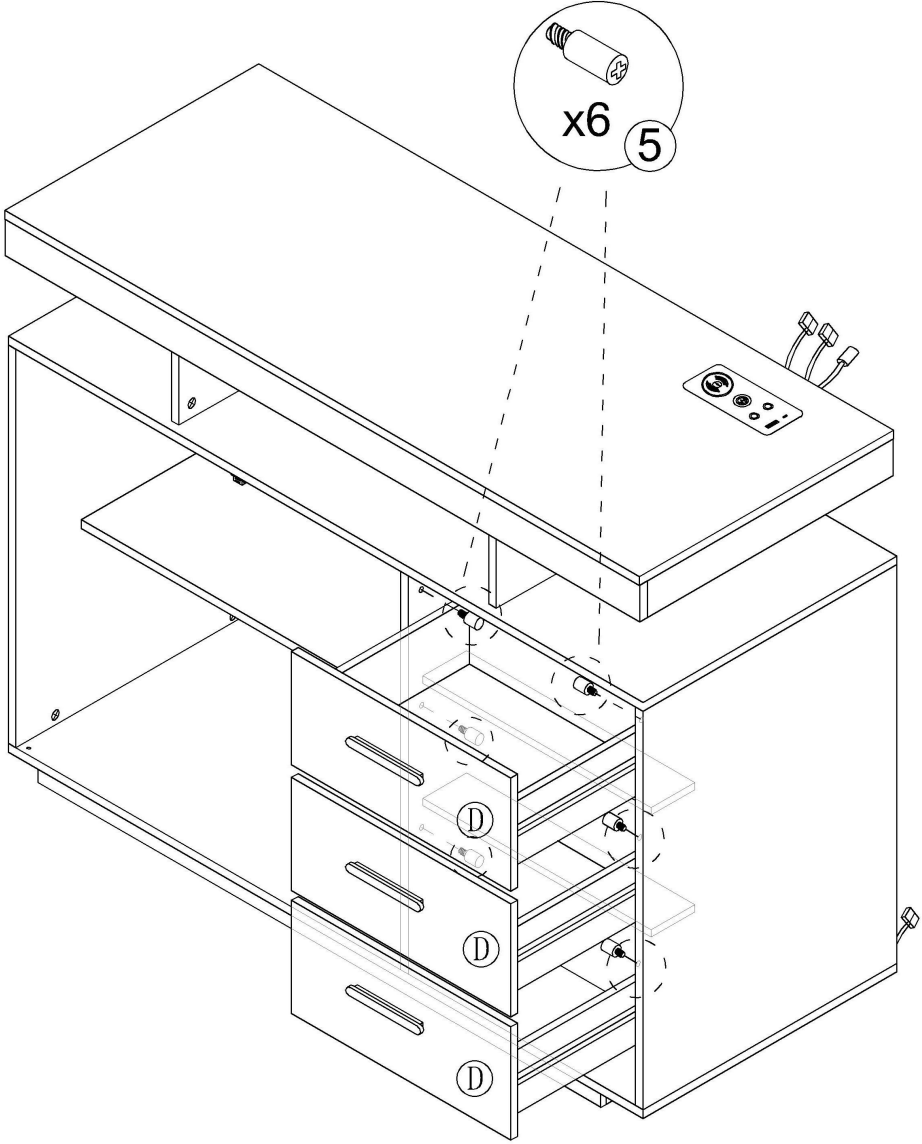
x6







Step 36

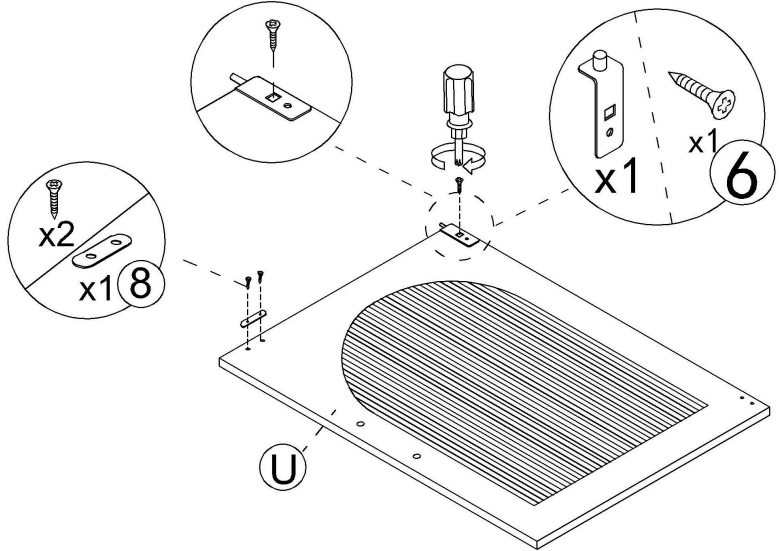


Step 37







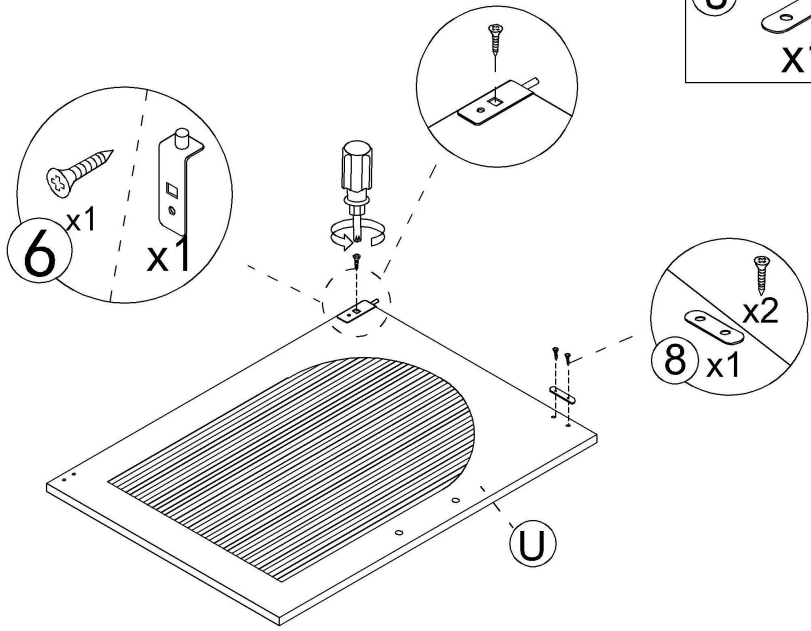
Step 38

- | | | |
|----|---|---|
| 6 |  |  |
| x1 | | x1 |
| 8 |  |  |
| x1 | | x2 |




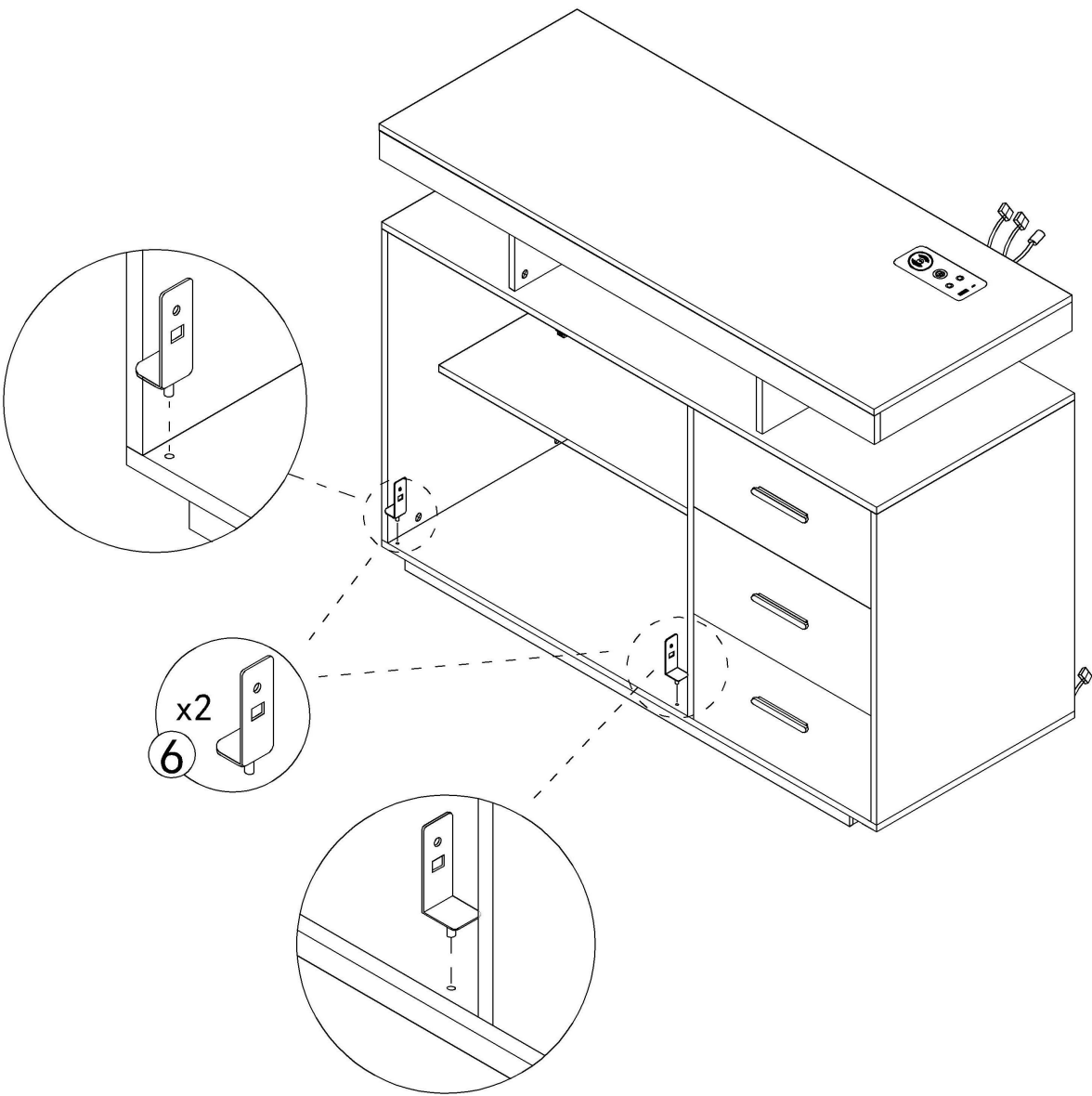
Step 39

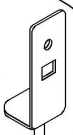
- | | | |
|----|---|---|
| 6 |  |  |
| x1 | | x1 |
| 8 |  |  |
| x1 | | x2 |



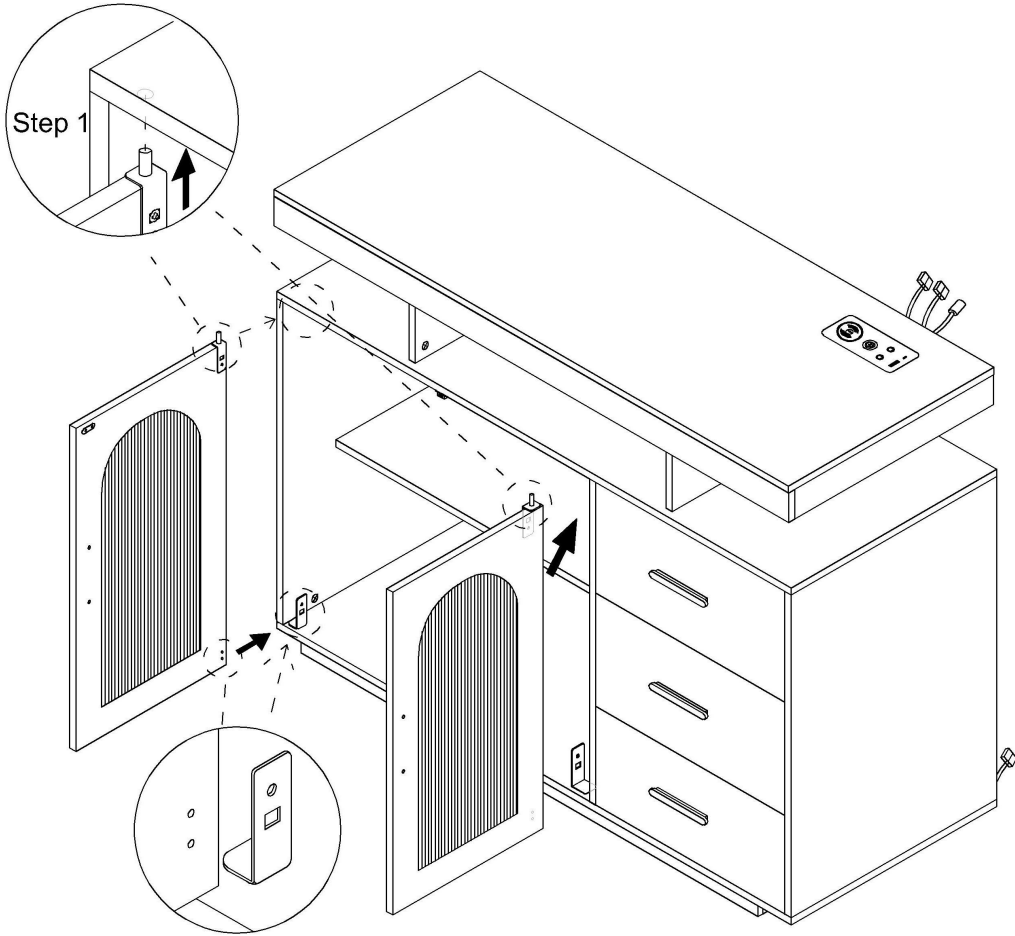
Step 40

6  x2

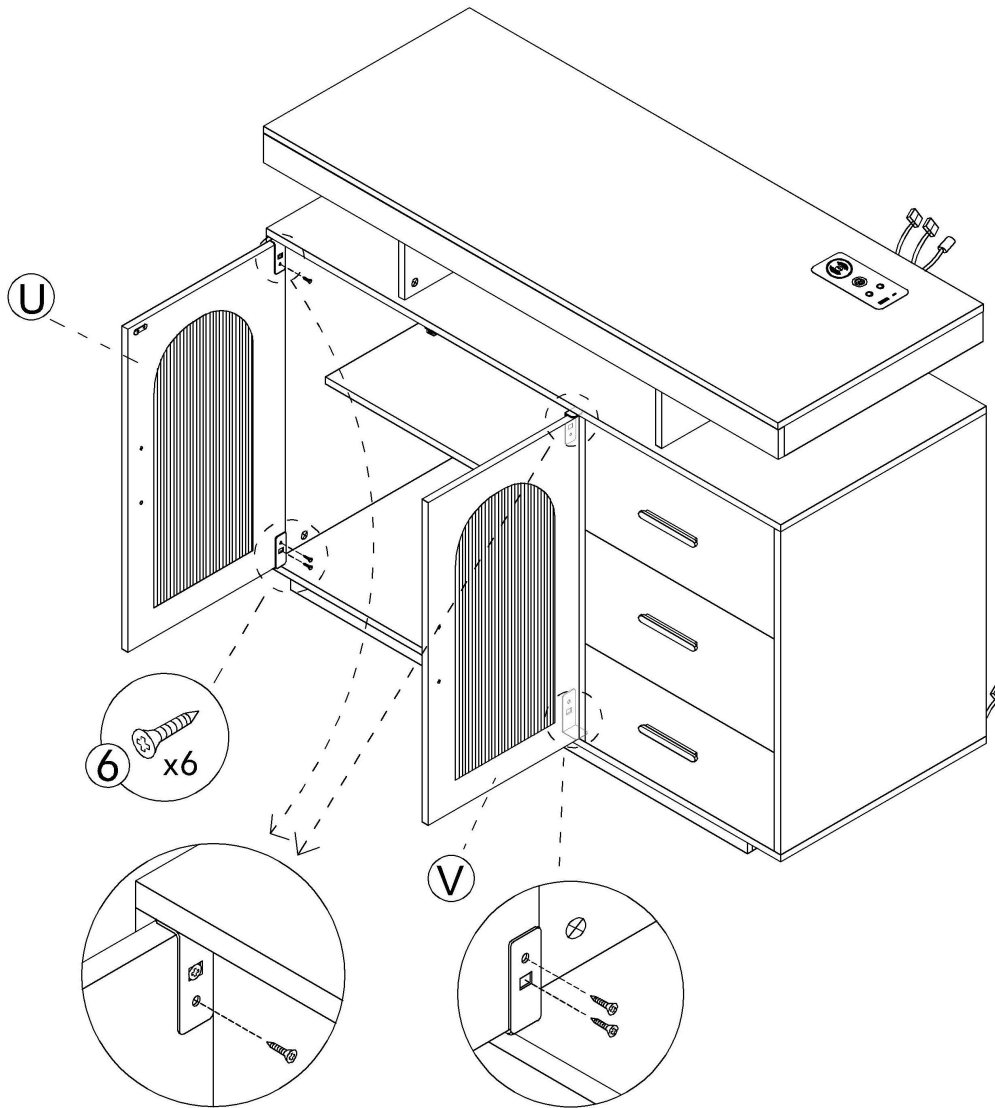


x2
6 

Step 41



Step 42



Screw in the screw through the square hole to adjust the cabinet door and then screw in the fixing screw.

Step 43

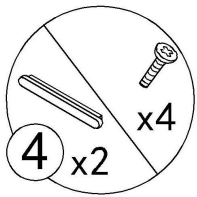
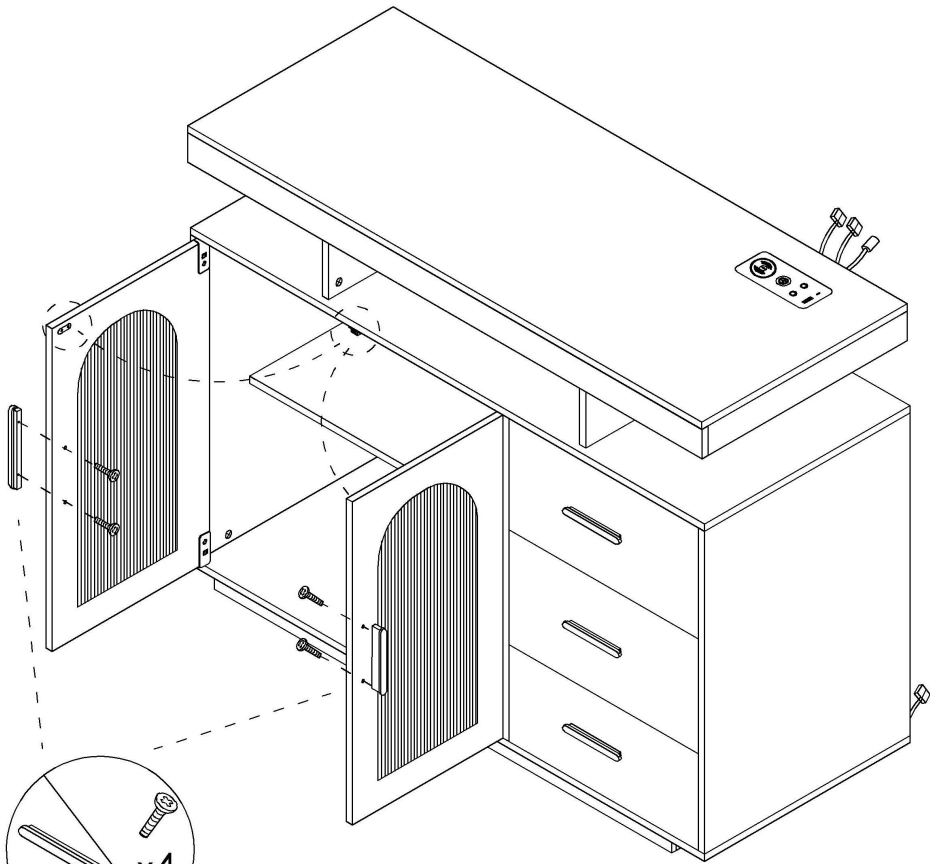
4



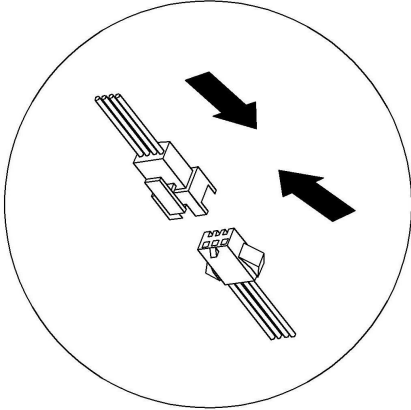
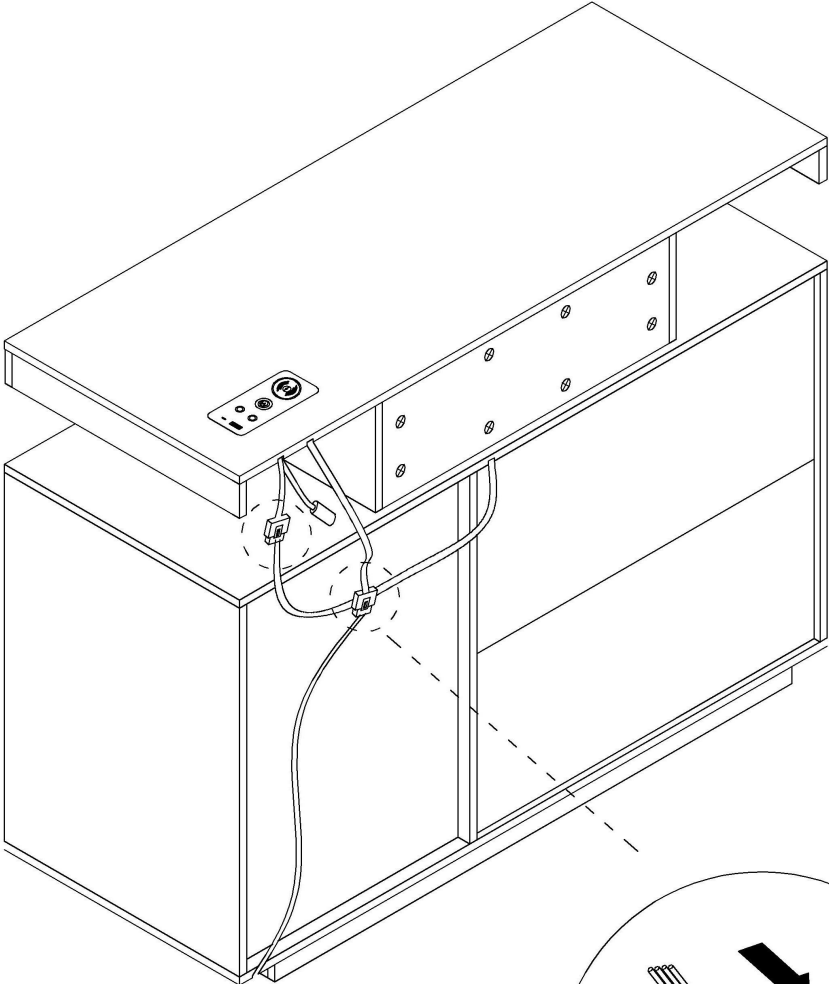
x2



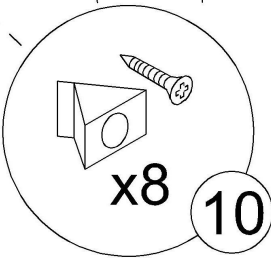
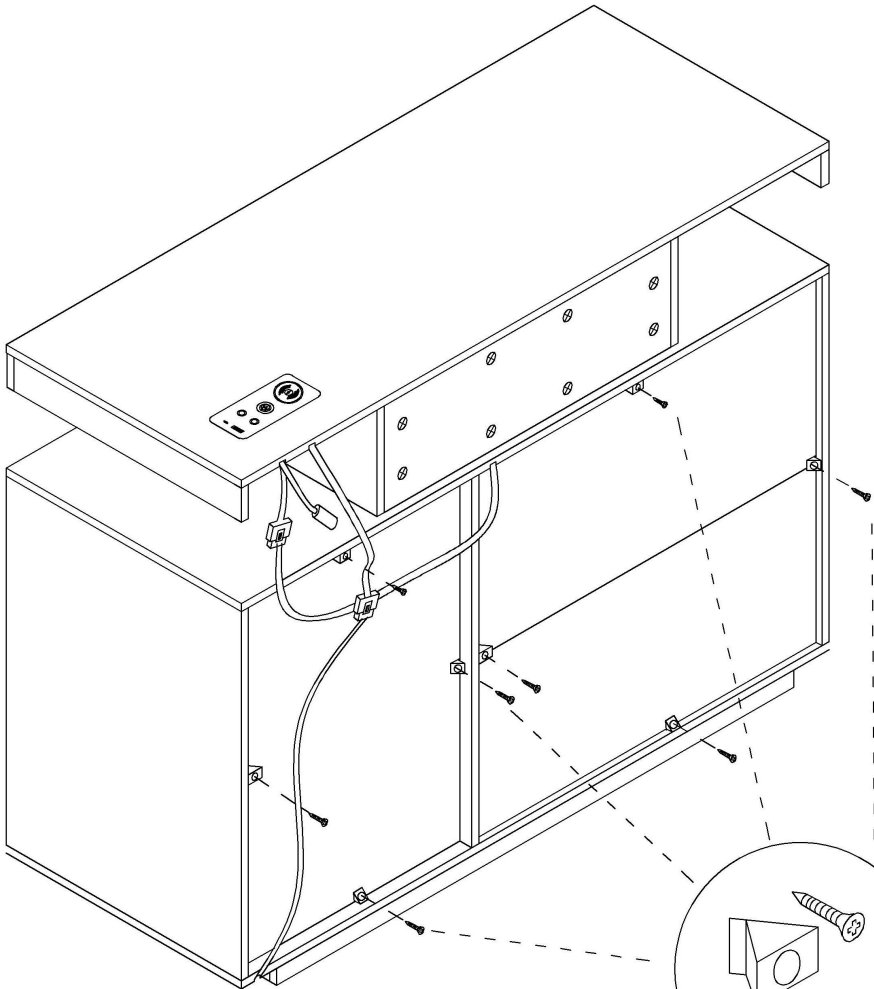
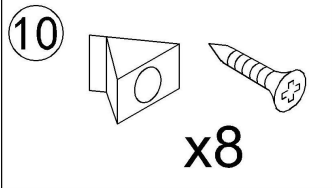
x4



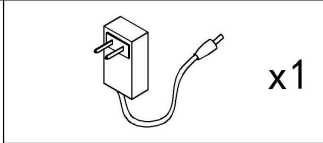
Step 44



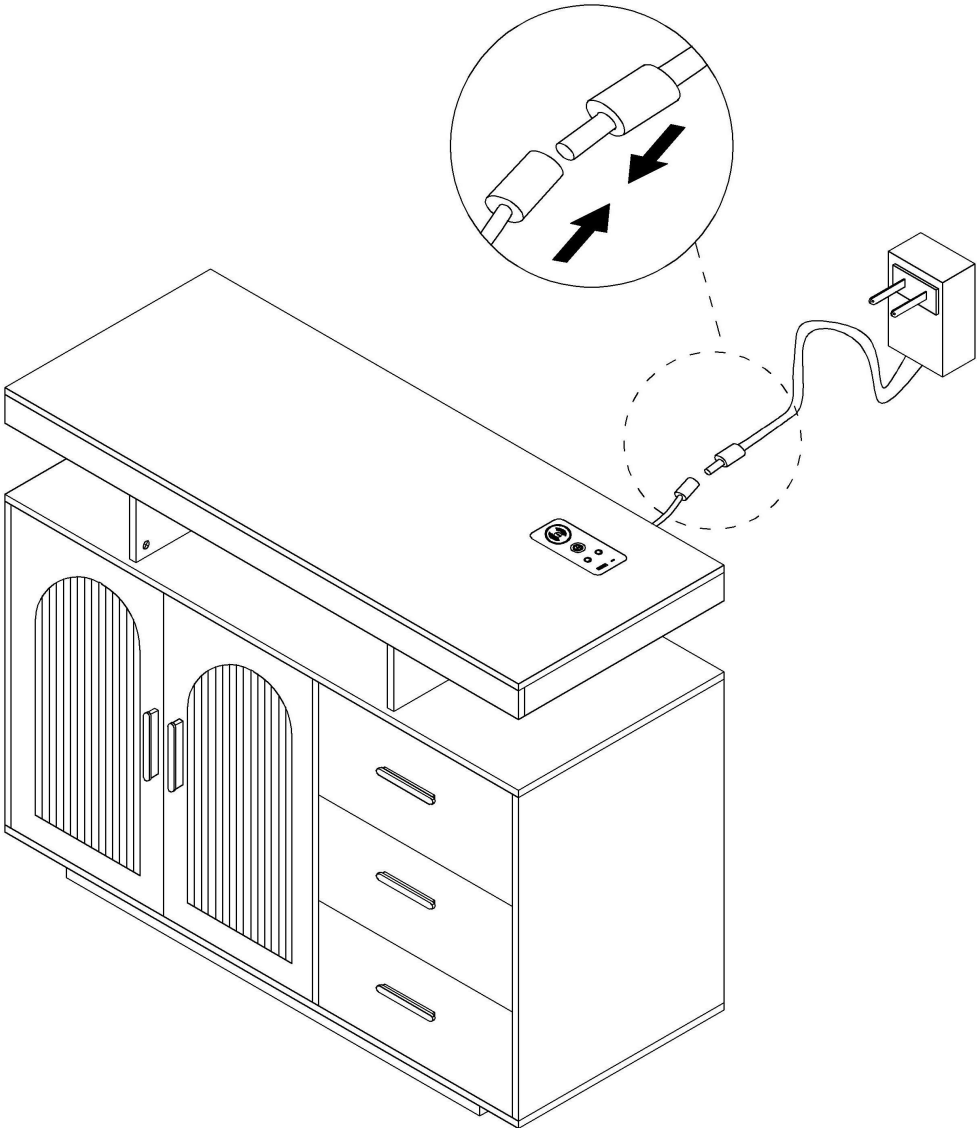
Step 45

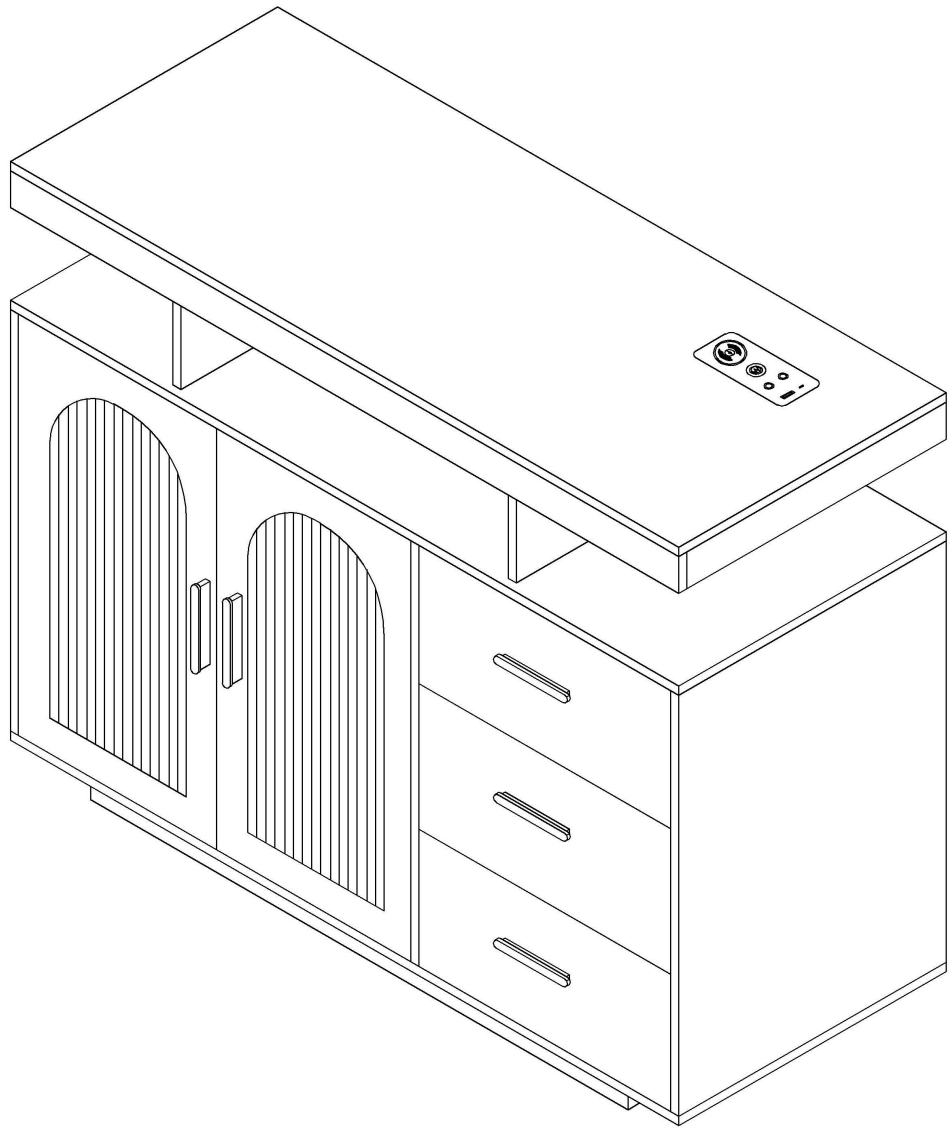


Step 46



The bedside table supports wireless charging ,
It can be charged by placing a mobile phone
that supports wireless charging







User's Guide

Thank you for purchasing this product.

To use this product, please plug it into a 12VDC power supply.

Please use it if the product works normally after connecting to power.

Introduction

The box is an intelligent controller which integrates the charging function and the lighting control function, coming with 1 USB port and 1 type-C port, 2 touch buttons, a 24-color lighting control button, and a wireless charger.

Operation



This touch button is used to turn on/off lights and adjust brightness.

A. Long touch -> adjust the luminance.

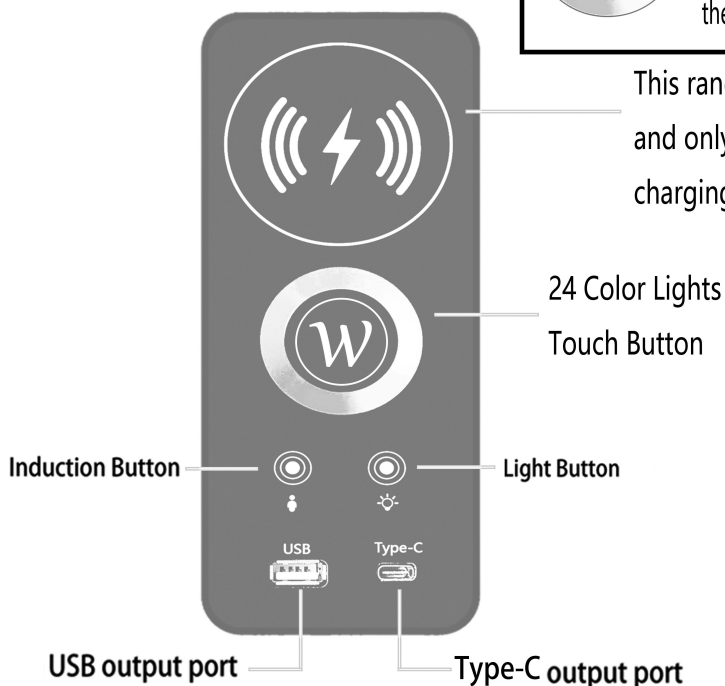


This touch button is used to turn on/off the induction function.

- A. Short touch to turn on the induction function. It can auto-turn on the light when people are close to the controller within 1 meters. It can auto power off the light when the body is far away from the controller after 30 seconds.
- B. Long touch to turn off the induction function.
- C. Note: When you touch the light button to change the light modes, the induction function will automatically turn off. It is best to turn on this function after selecting the light color and adjusting the brightness you want.



This touch button is used to change 24 colors light. You can rotate the ring to choose colors, or click the ring to choose colors. Click in the middle of the ring, and reset to the white light.



ATTENTION PLEASE

1. If there is no touch response suddenly, Re-plug the power to reset the touch static electricity.
2. If bubbles appear on the panel, remove the protective film.
3. If you have any questions when installing, please feel free to contact us. Thank you.