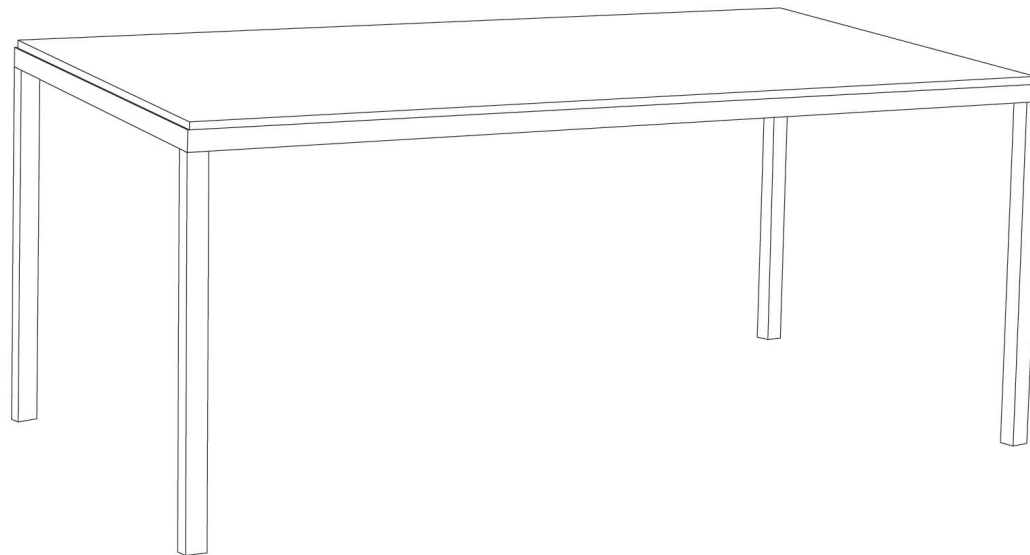


# **ASSEMBLY INSTRUCTIONS.**

PARSON DINING TABLE WHITE MARBLE



THANK YOU FOR YOUR PURCHASE!

## PARTS AND HARDWARE.

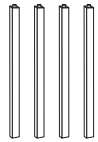
TOP x 1 -A



IRON BASE x 1 -B



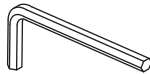
LEG x 4 -C



BOLT - 20x10 mm -4



ALLEN KEY x1

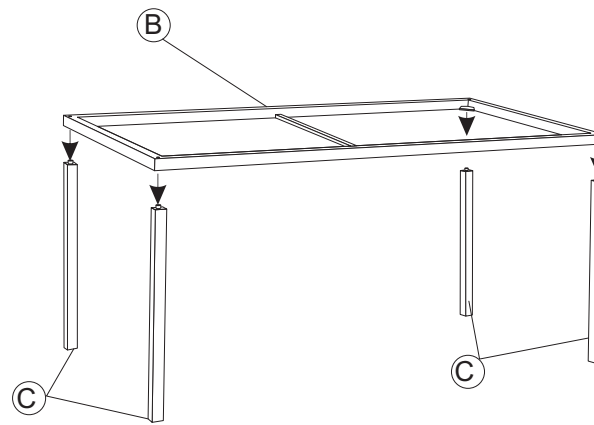


## NOTES.

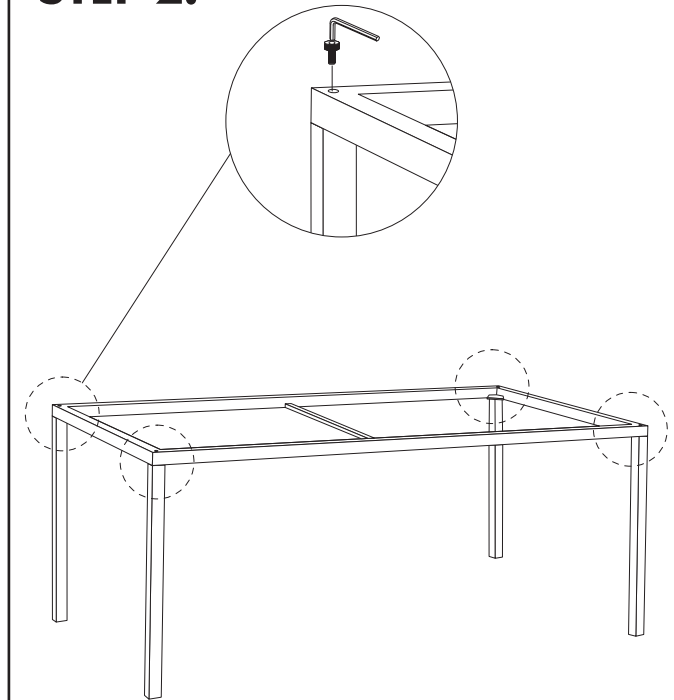
Thank you for purchasing this quality product! Be sure to check all packing material carefully for small part that may have come loose inside the carton during shipping.

**CAUTION:** The item is heavy, assembly should be performed by two people.

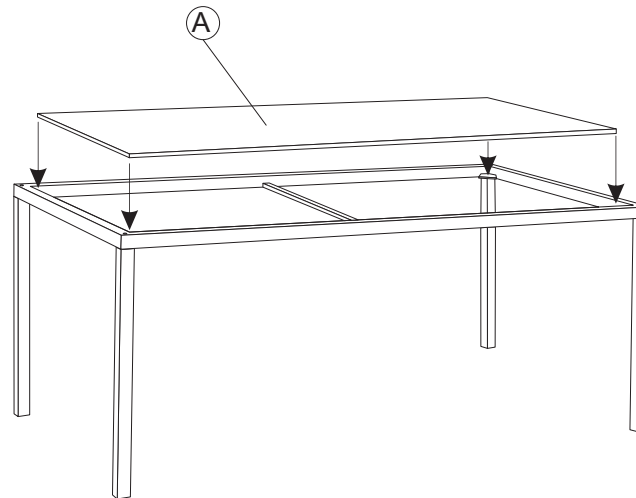
## STEP 1.



## STEP 2.



## STEP 3.



## STEP 4.

