

# USER'S MANUAL

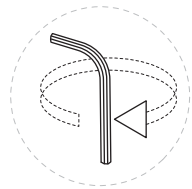
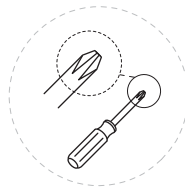
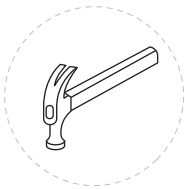
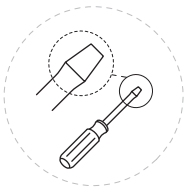
## 4PCS CONVERSATION SET

THIS INSTRUCTION BOOKLET CONTAINS **IMPORTANT** SAFETY INFORMATION. PLEASE READ AND KEEP FOR FUTURE REFERENCE.

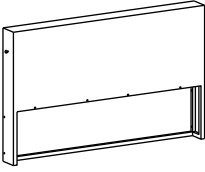


# Before You Start

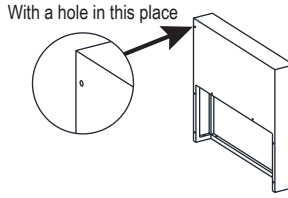
- ⚠ Read each step carefully before starting. It is very important to ensure each step followed in correct order, otherwise assembly difficulties may occur.
- ⚠ Most of board parts are labeled or stamped on the raw edges. Have a check to make sure all parts are included.
- ⚠ Work in a spacious area, preferably on a carpet close to where the unit will be used.
- ⚠ Keep the handtools close at hand. Do not use power tools to assemble your furniture. They may scratch or damage the parts.



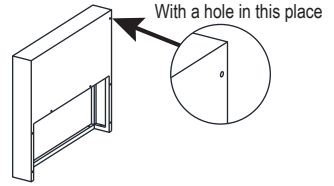
## Part List



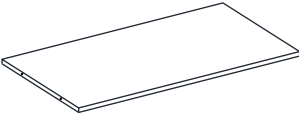
**1** x1 pc  
Backrest Panel (Double)



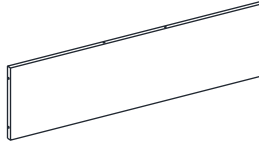
**2** x3 pcs  
Left Leg Panel



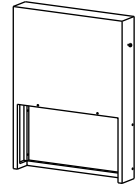
**3** x3 pcs  
Right Leg Panel



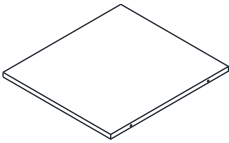
**4** x1 pc  
Seat Panel (Double)



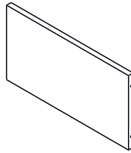
**5** x1 pc  
Front-Leg Panel (Double)



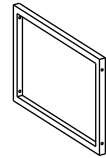
**6** x2 pcs  
Backrest Panel (Single)



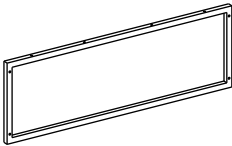
**7** x2 pcs  
Seat Panel (Single)



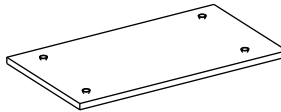
**8** x2 pcs  
Front-Leg Panel (Single)



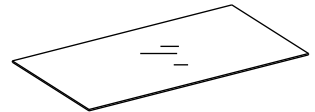
**9** x2 pcs  
Short Table Side



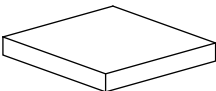
**10** x2 pcs  
Long Table Side



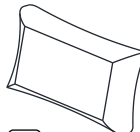
**11** x1 pc  
Table Top



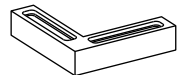
**12** x1 pc  
Glass Top



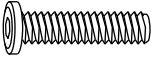
**13** x4 pcs  
Cushion Seat



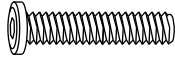
**14** x4 pcs  
Cushion Back



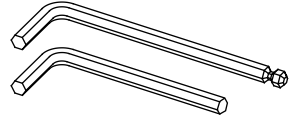
**15** x16 pcs  
Plastic Leg



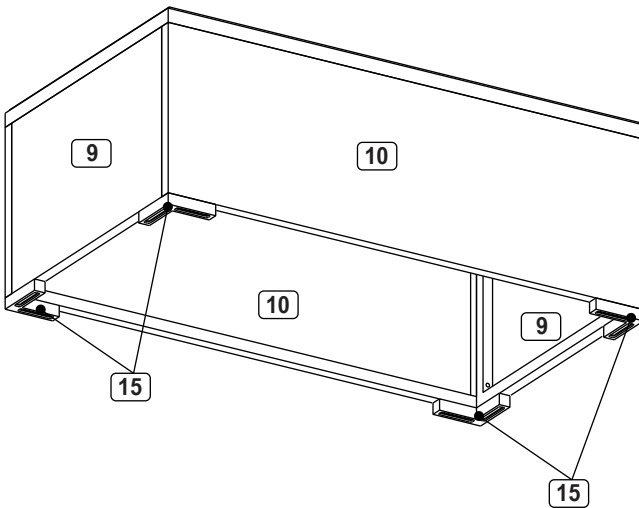
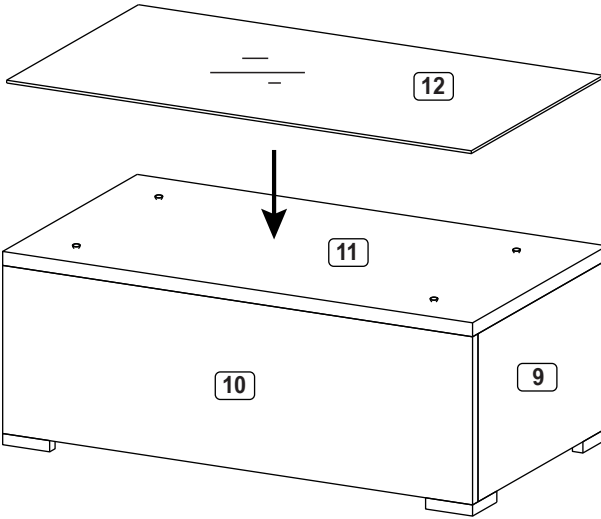
M6x25mm Bolt  
Ⓐ x32pcs

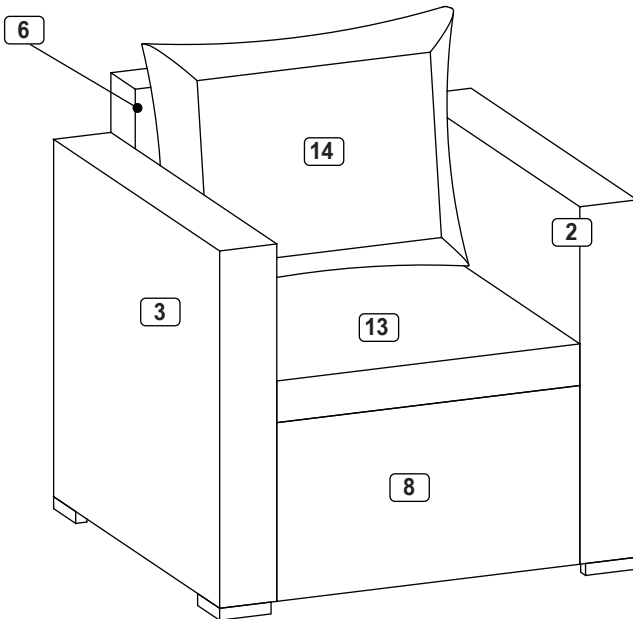
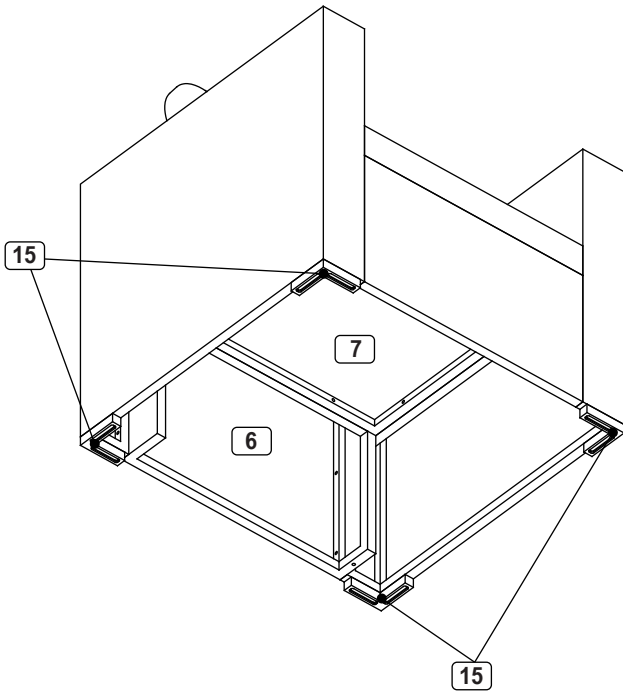


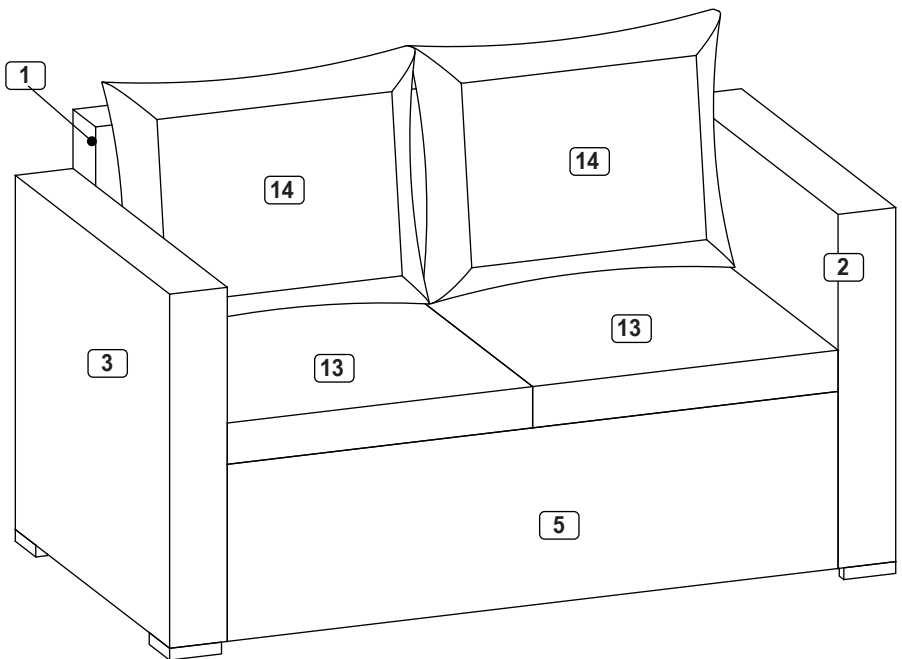
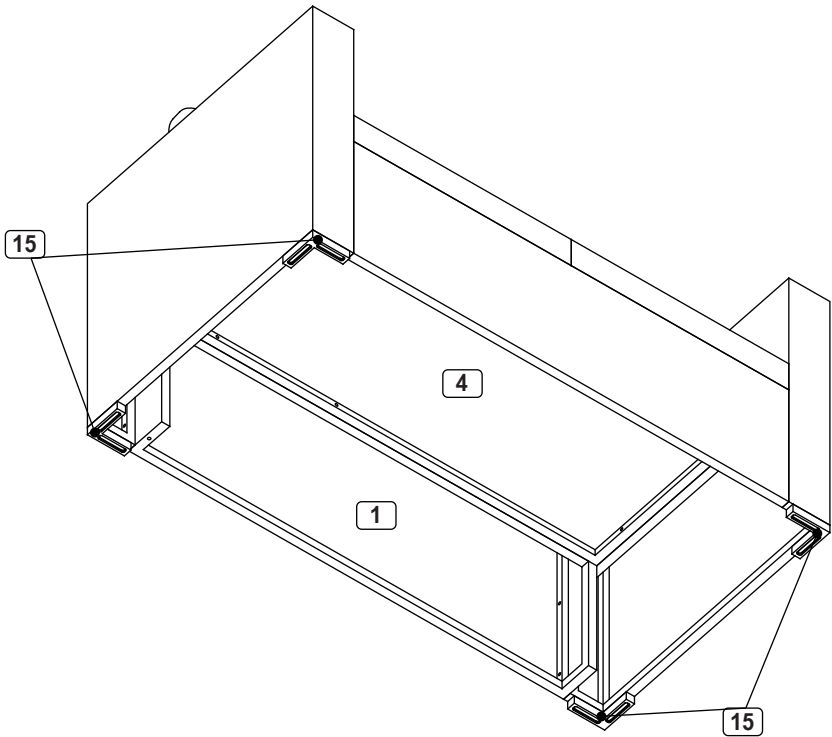
M6x30mm Bolt  
Ⓑ x62pcs

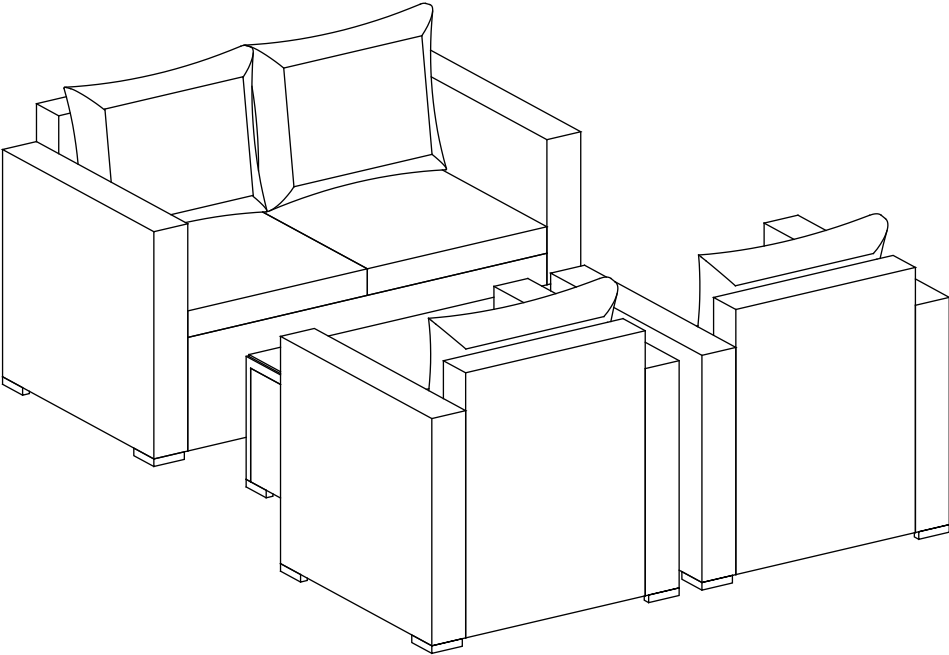


M4 Allen Key  
Ⓒ x2pcs

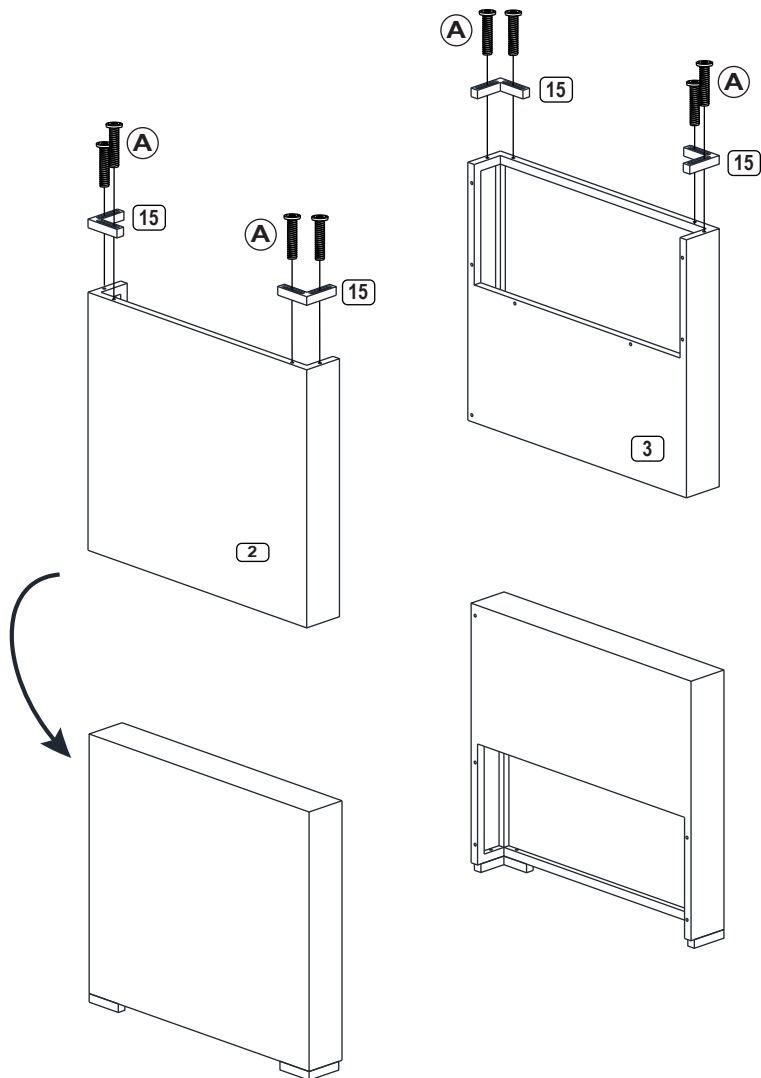
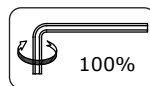




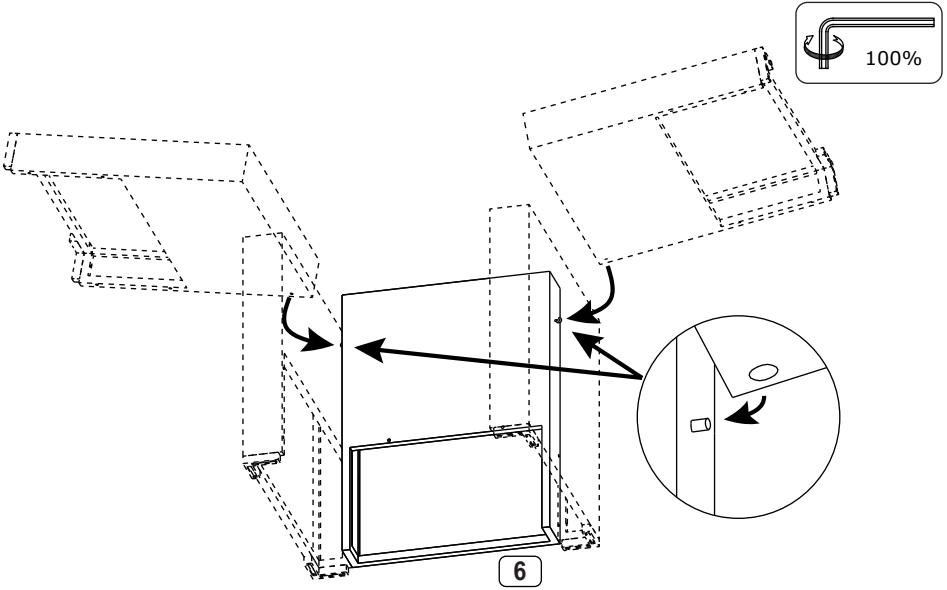




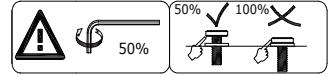
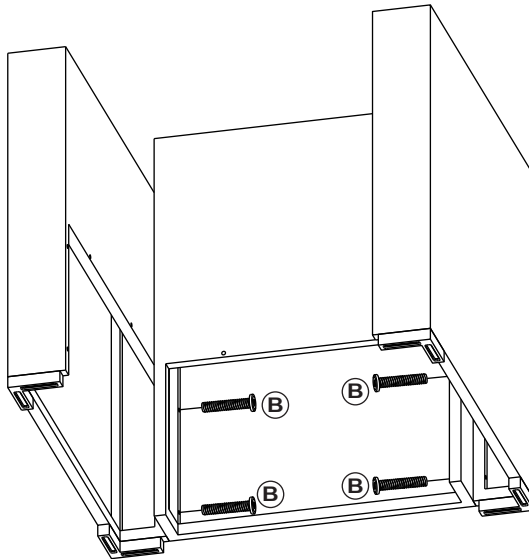
## STEP 1: X3



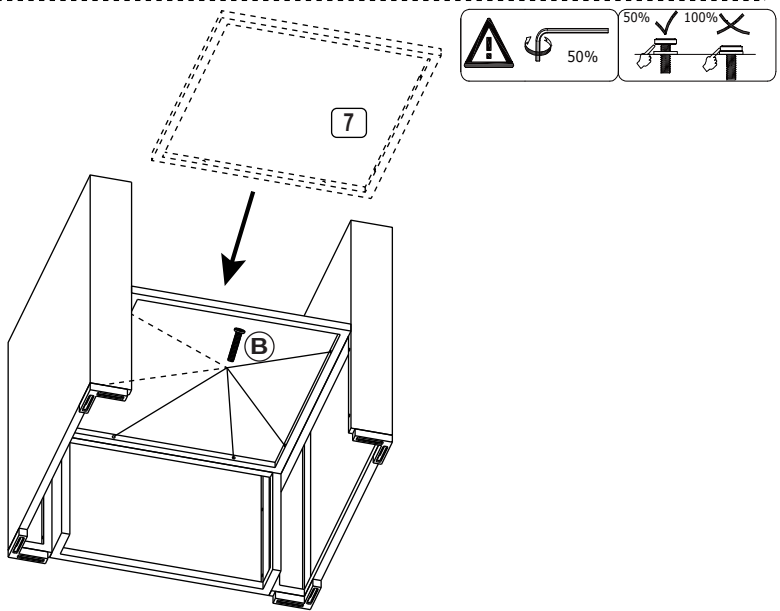
## STEP 2 : X2



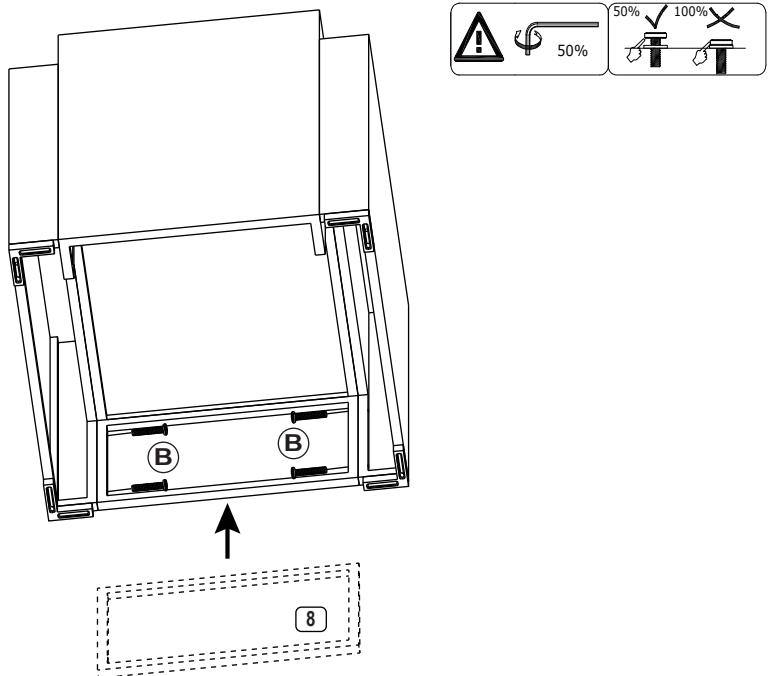
## STEP 3: X2



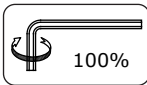
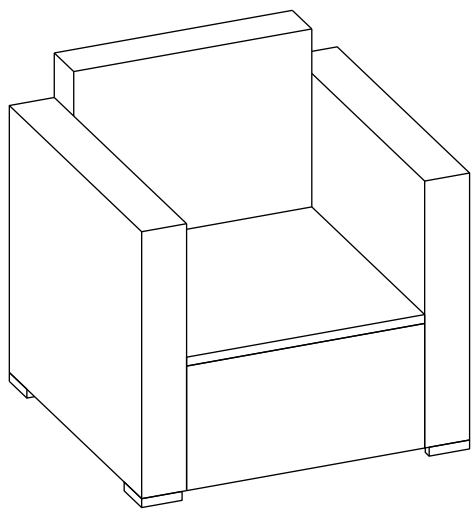
## STEP 4: X2



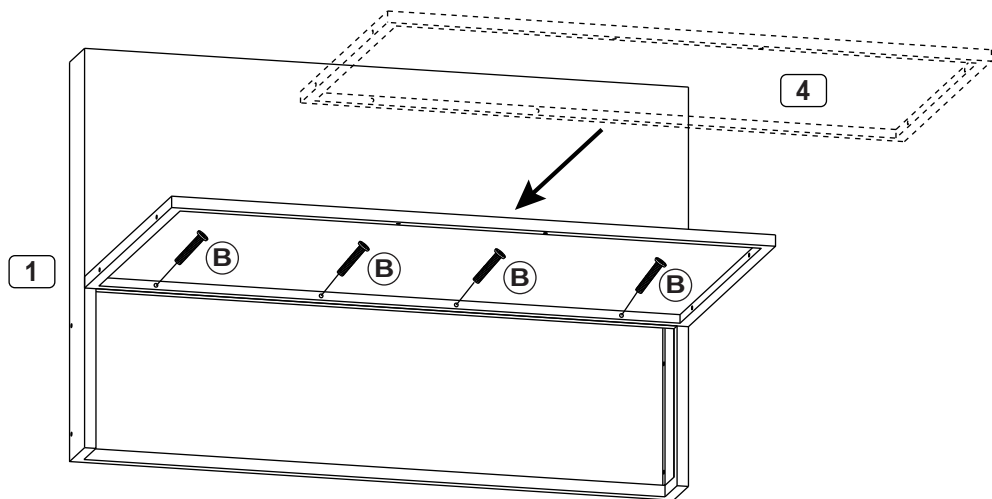
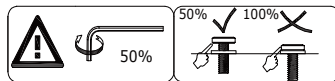
## STEP 5: X2



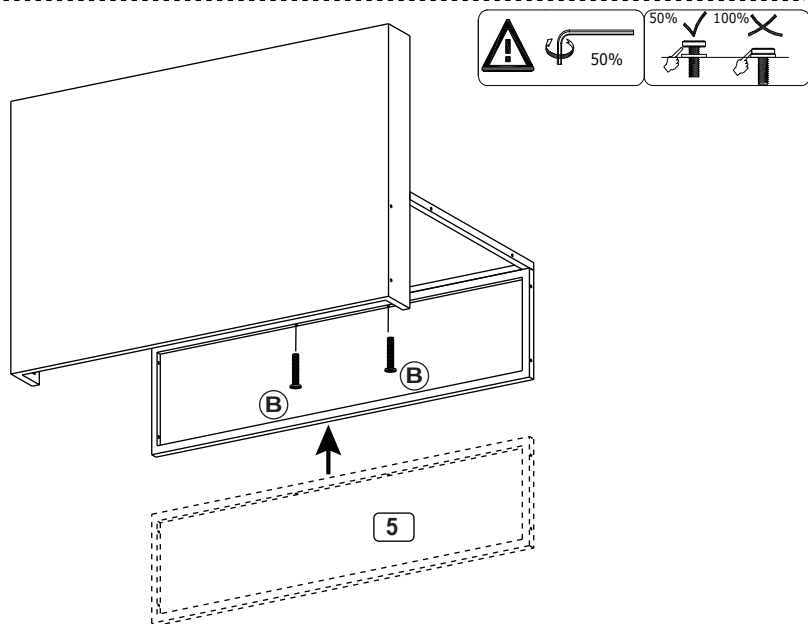
**STEP 6: X2**



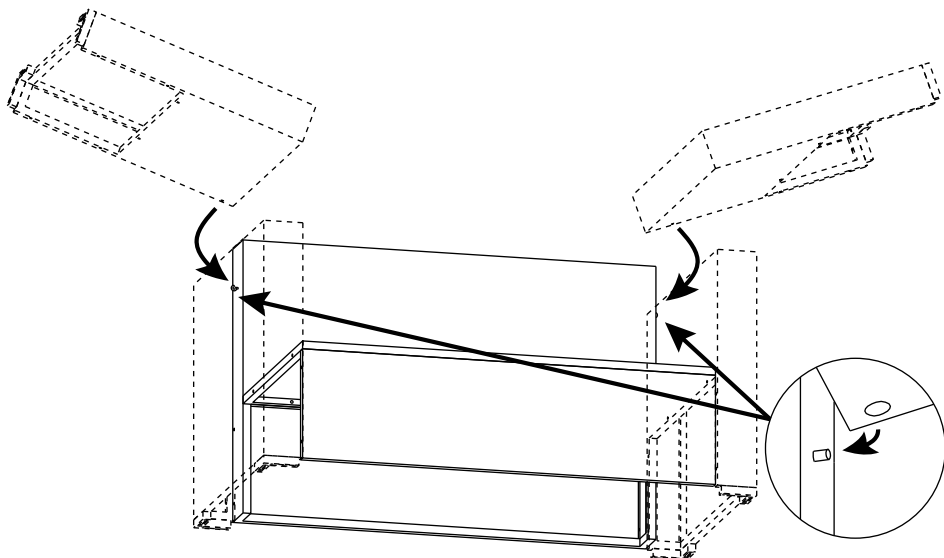
**STEP 7:**

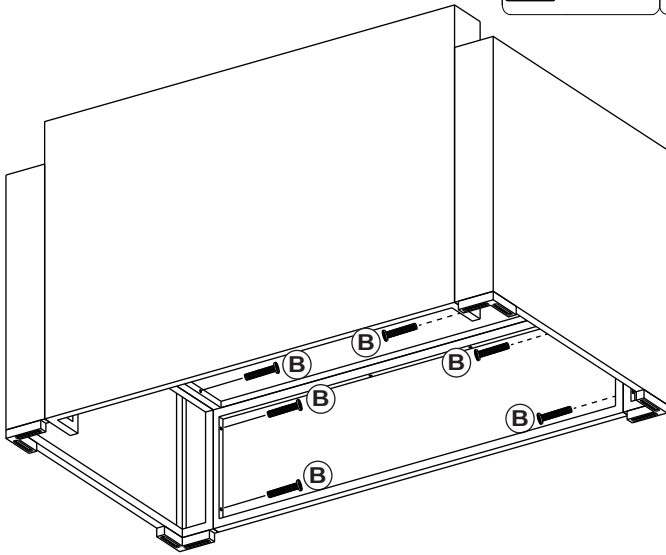
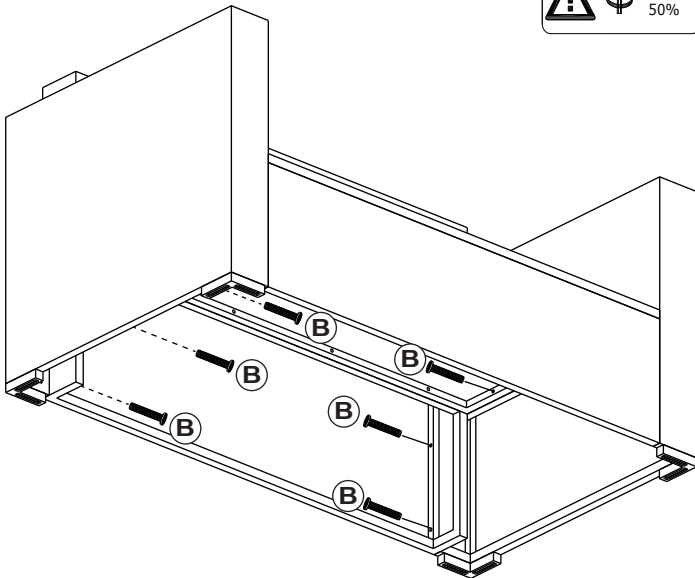


## STEP 8:



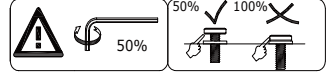
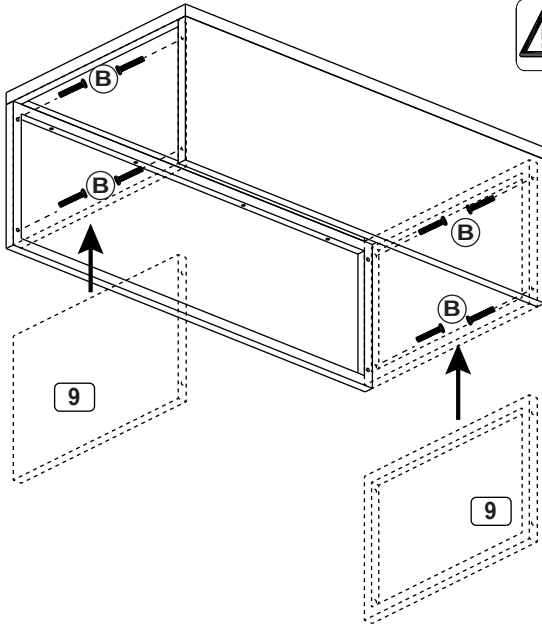
## STEP 9:



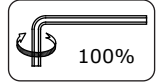
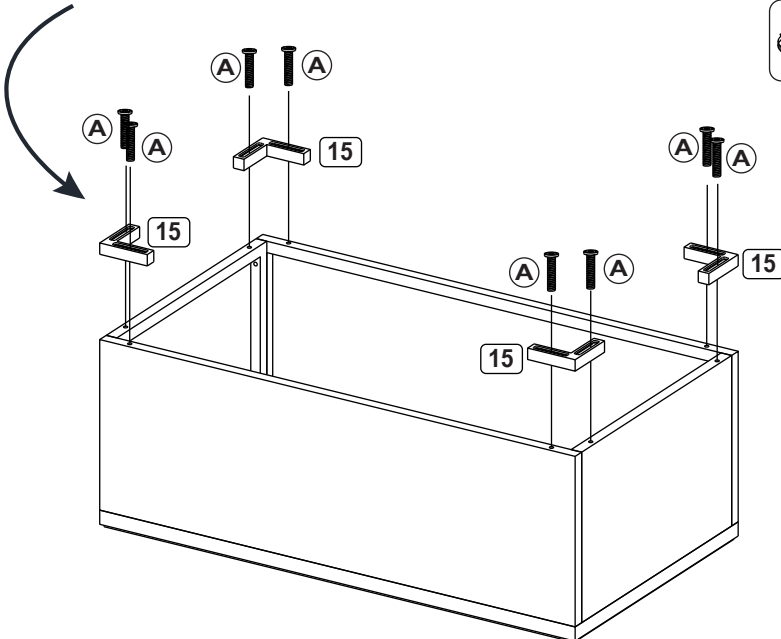
**STEP 10:****STEP 11:**



## STEP 14:

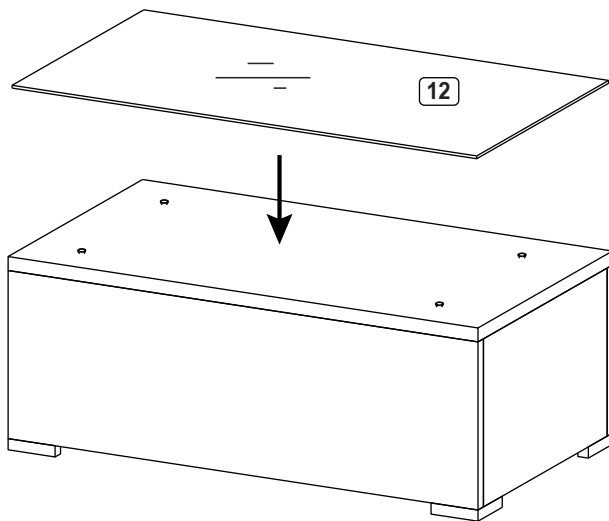
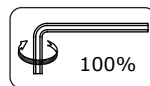


## STEP 15:



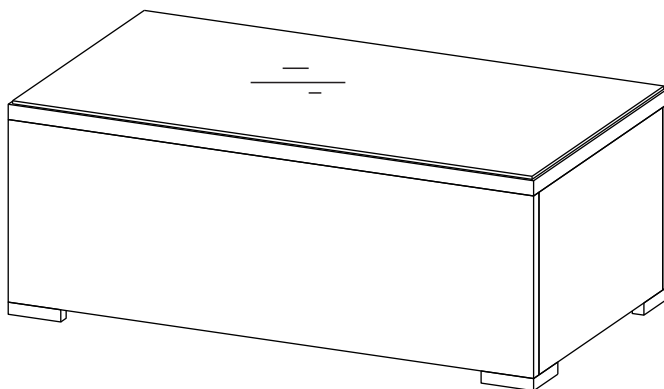
**STEP 16:**

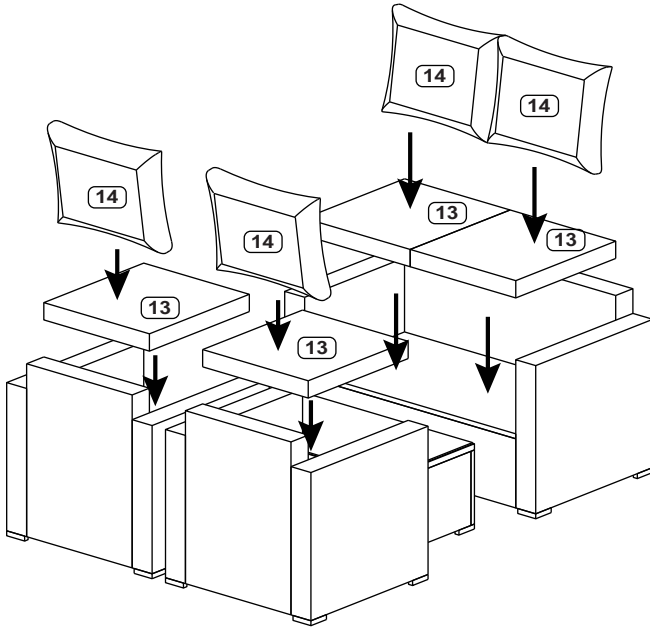
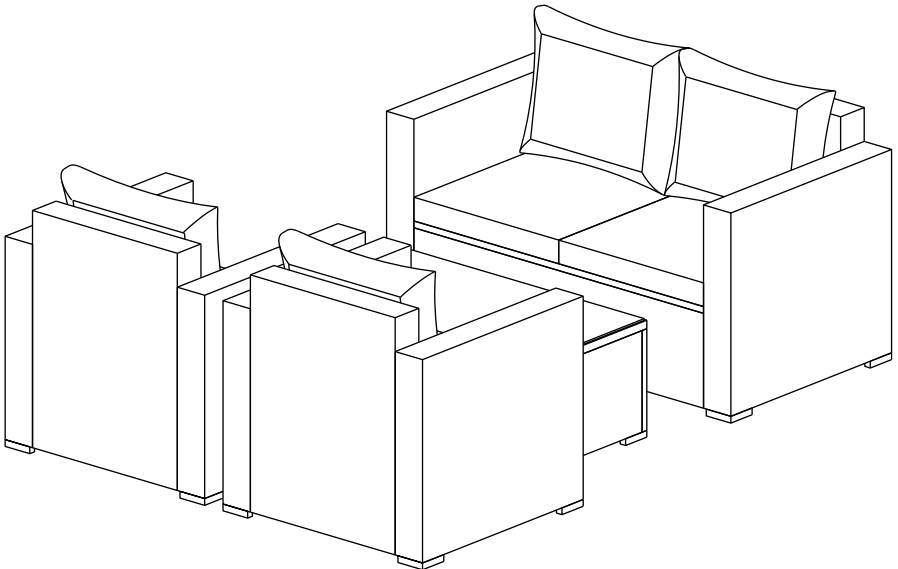
---



**STEP 17:**

---



**STEP 18:****STEP 19: FINISHED**

## **Care and Maintenance**

Use a soft, clean cloth that will not scratch the surface when dusting.

Use of furniture polish is not necessary.

Should you choose to use polish, test first in an inconspicuous area.

Using solvents of any kind on your furniture may damage the finish.

Never use water to clean your furniture as it may cause damage to the finish.

Liquid spills should be removed immediately. Using a soft clean cloth, blot the spill gently. Avoid rubbing.

Check bolts/screws periodically and tighten them if necessary.

## **Further advice about wood furniture care**

Please protect your outdoor furniture with a cover when not in use since long-term sunlight exposure will result in the damage on the surface.

In addition to sunlight damage, wood and metal frame suffers when exposed to extremes in temperature and humidity.

Proper care and cleaning at home will extend the life of your purchase.

Following these important and helpful tips will enhance your furniture as it ages.