

PRODUCT CARE

a guide to protect your product

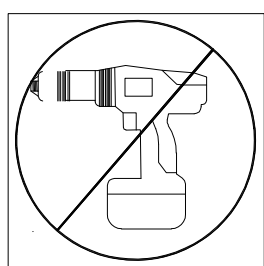


Thank you for purchasing this product. Please read these instructions fully before starting assembly, then follow the simple step by step guide.

TOP TIPS BEFORE YOU START!

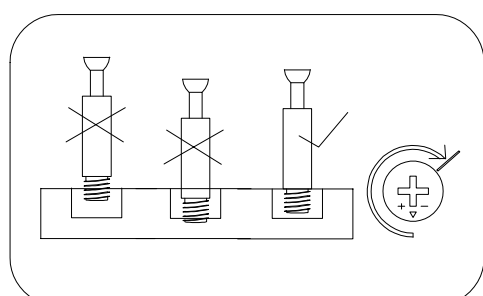
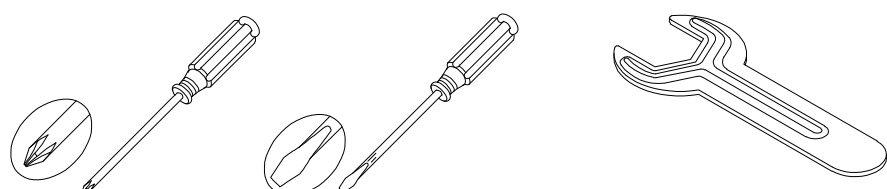
1. Please check that all parts & hardware are present before you start the assembly of your furniture. Do not destroy any of the packaging until you are certain that you have all the necessary parts for assembly.
2. To ensure a smooth installation, we recommend that before you commence each step of the assembly, please identify all the parts required for that step.
3. We recommend that where possible, all items are assembled near to the area in which they will be placed in use, to avoid moving the product unnecessarily once assembled.
4. For the protection of your furniture, particularly items of high gloss finish, we recommend that the product is placed on a protected surface during assembly to prevent any damage.
5. During assembly, please take care not to over-tighten any fittings, as this may damage the product.
6. Keep children and animals away from the work area. Small parts could cause choking if swallowed.

Tools Required For Assembly

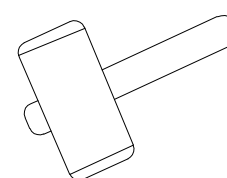


DO NOT USE POWER TOOLS TO ASSEMBLE THIS PRODUCT. USE OF POWER TOOLS WILL INVALIDATE ANY CLAIM AND MAY DAMAGE .

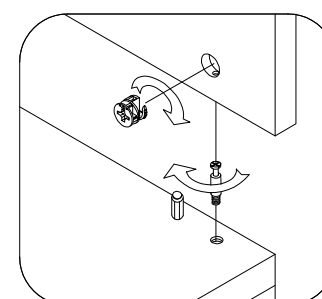
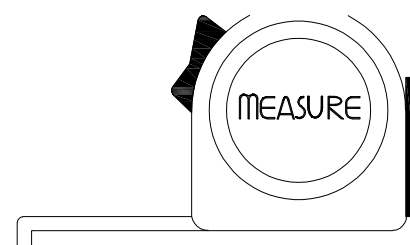
Self-provided universal tool diagram:

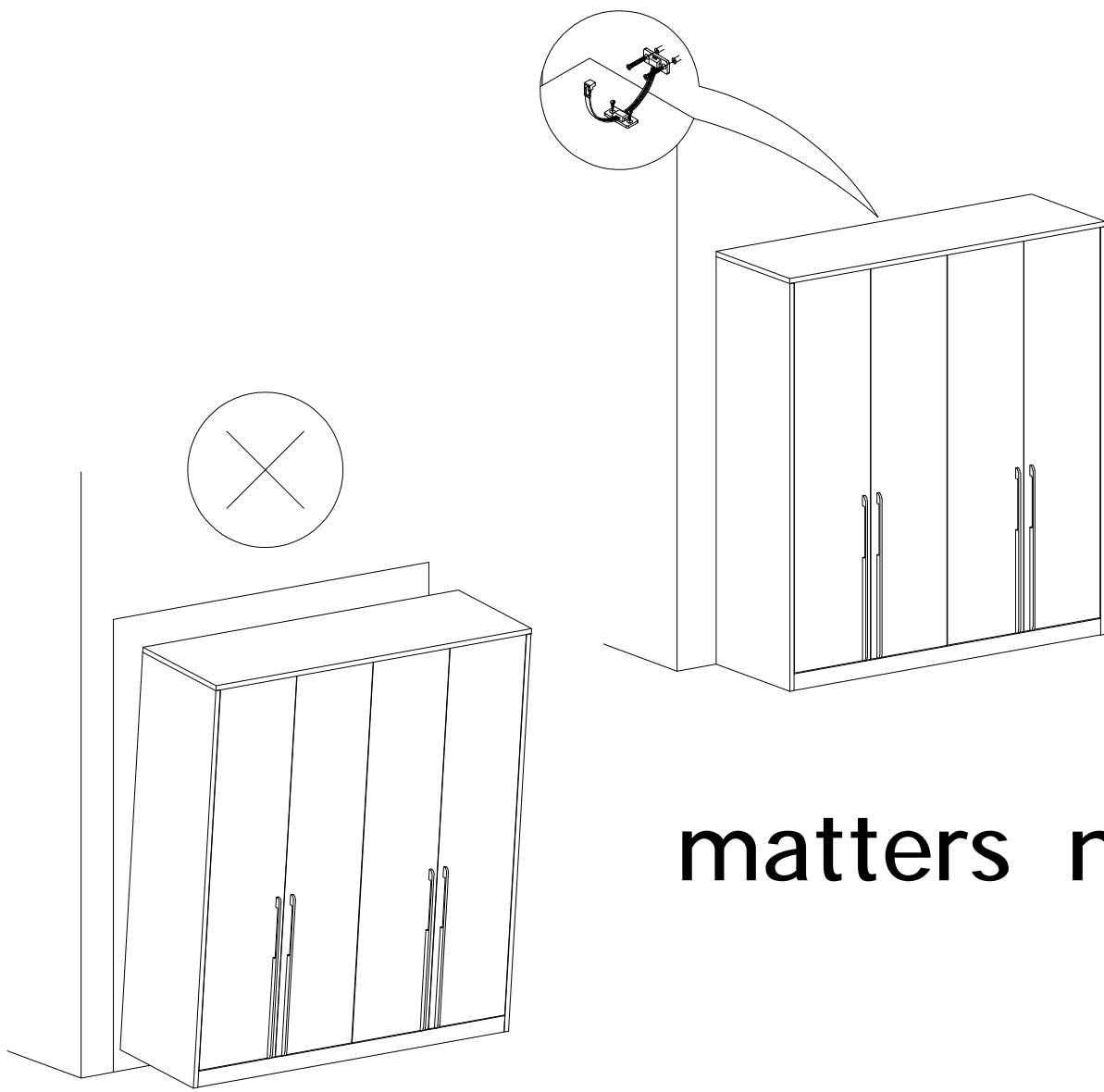


Rubber Hammer

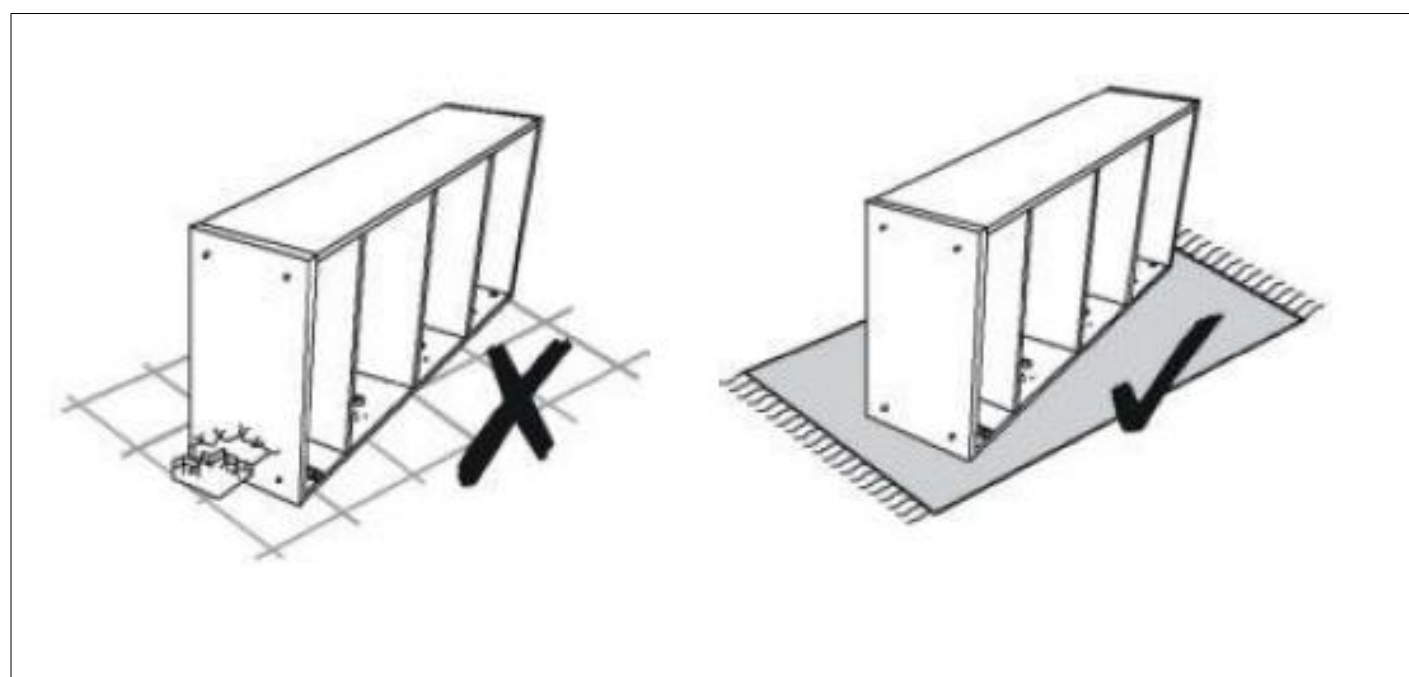
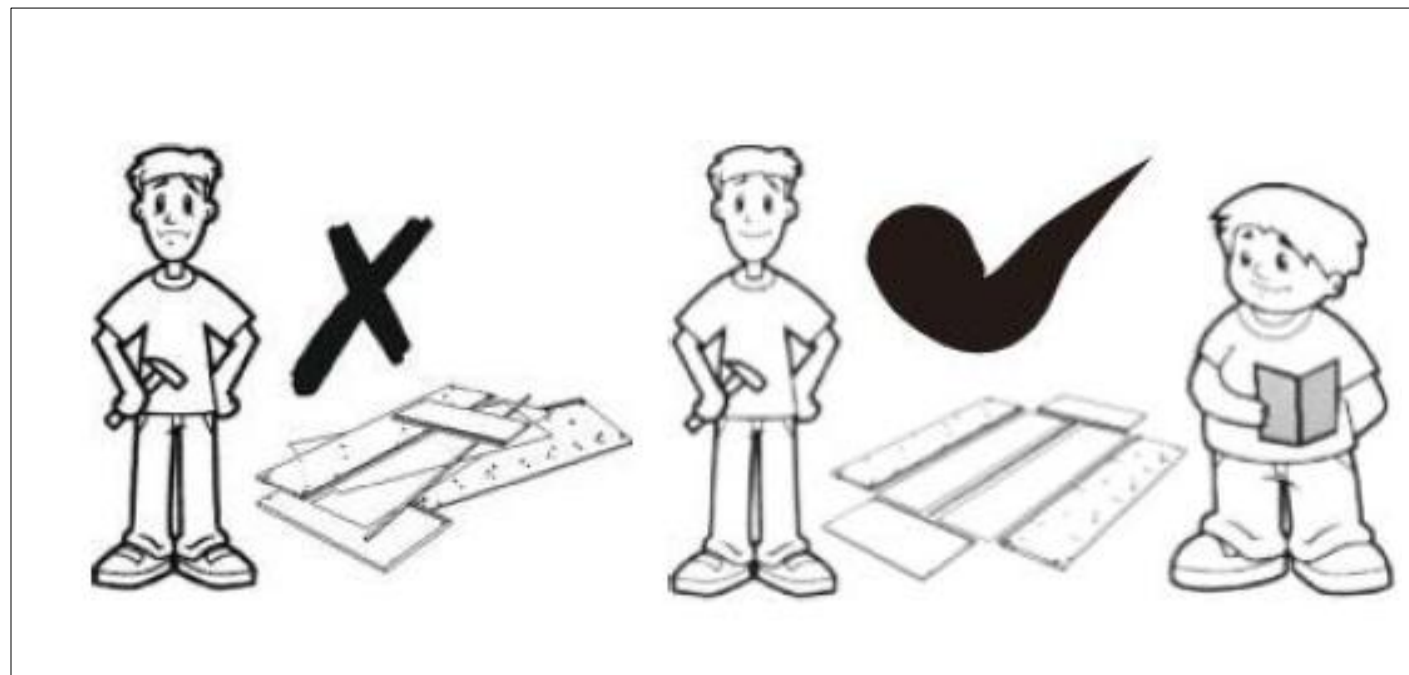


Tape Measure



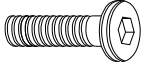


matters needing attention



Assembly Hardware

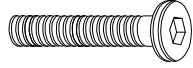
H1607(A)



Flat Head Allen Screw
M6*25

4PCS

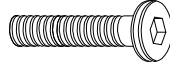
H1610(B)



Flat Head Allen Screw
M6*40

4PCS

H1608(C)



Flat Head Allen Screw
M6*30

4PCS

H5105(D)



L-type hex wrench 4#

1PC

Assembly Parts

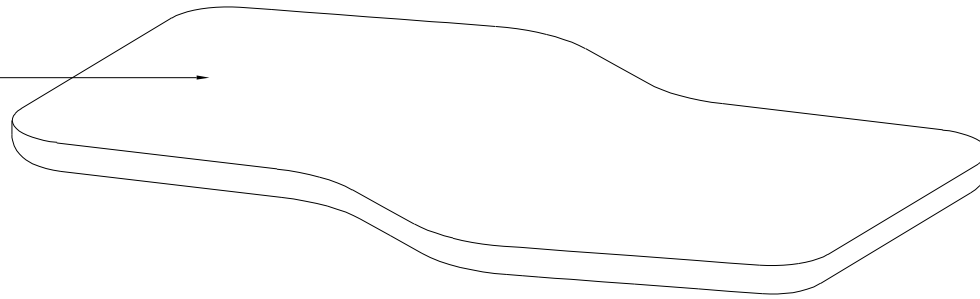
B01*1 Tabletop

B02*1 Connector Plate

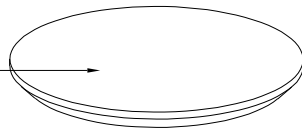
B03*1 Table Leg

B04*1 Base Plate

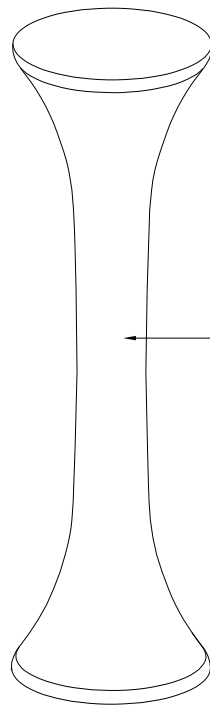
B01



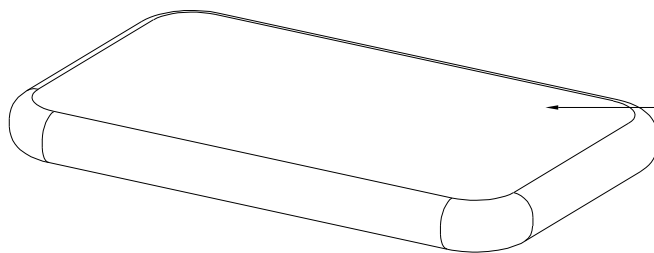
B02



B03

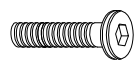
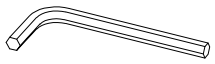


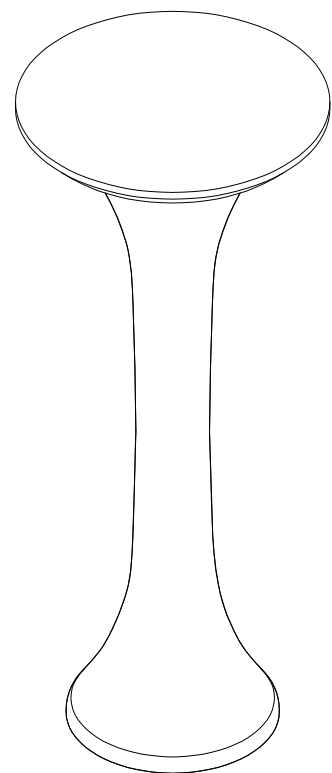
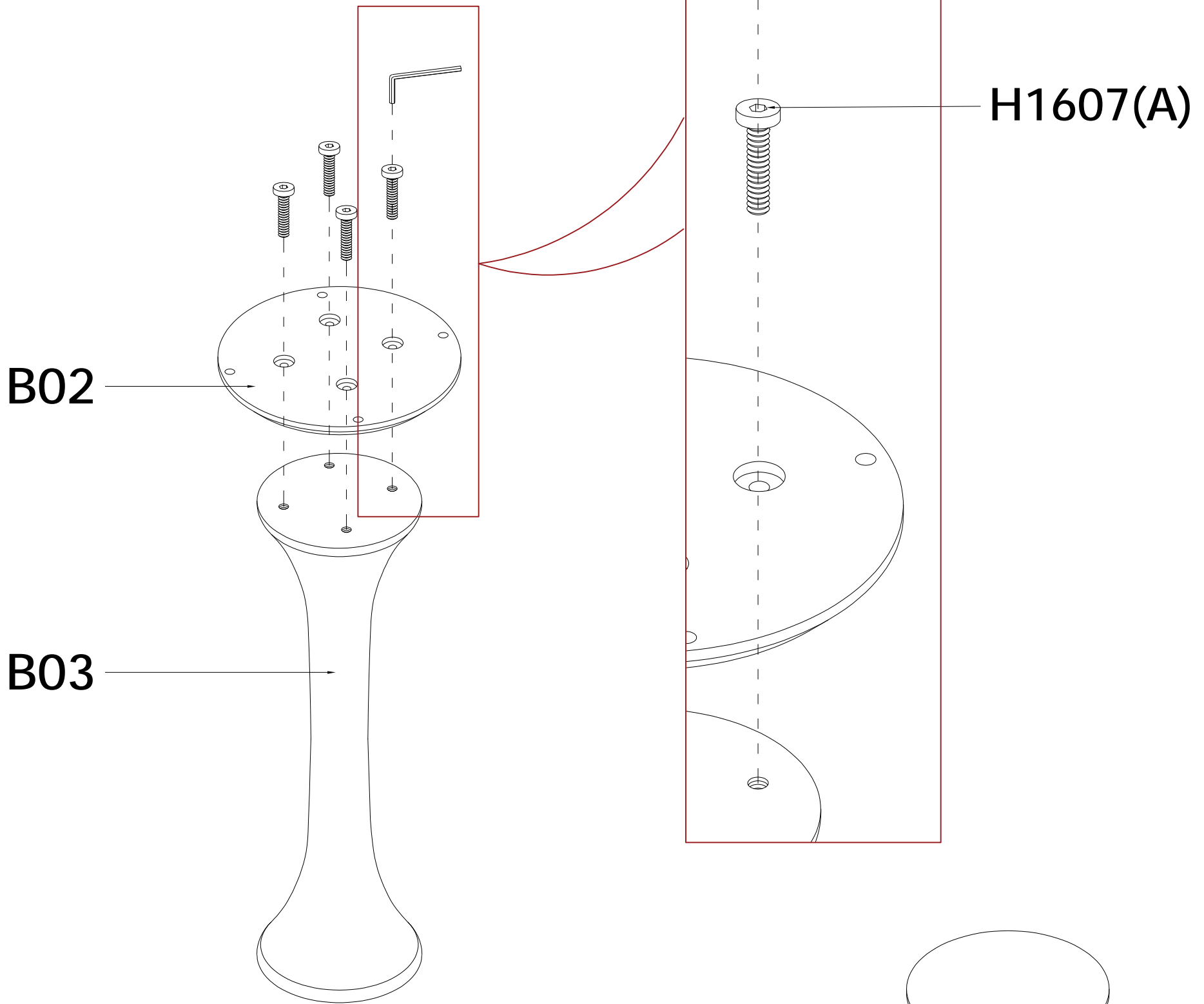
B04



Assembly Steps

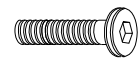
Step 1

| | |
|---|--|
| H1607(A)  4PCS | H5105(D)  1PC |
|---|--|



Step 2

H1610(B)



4PCS

H5105(D)

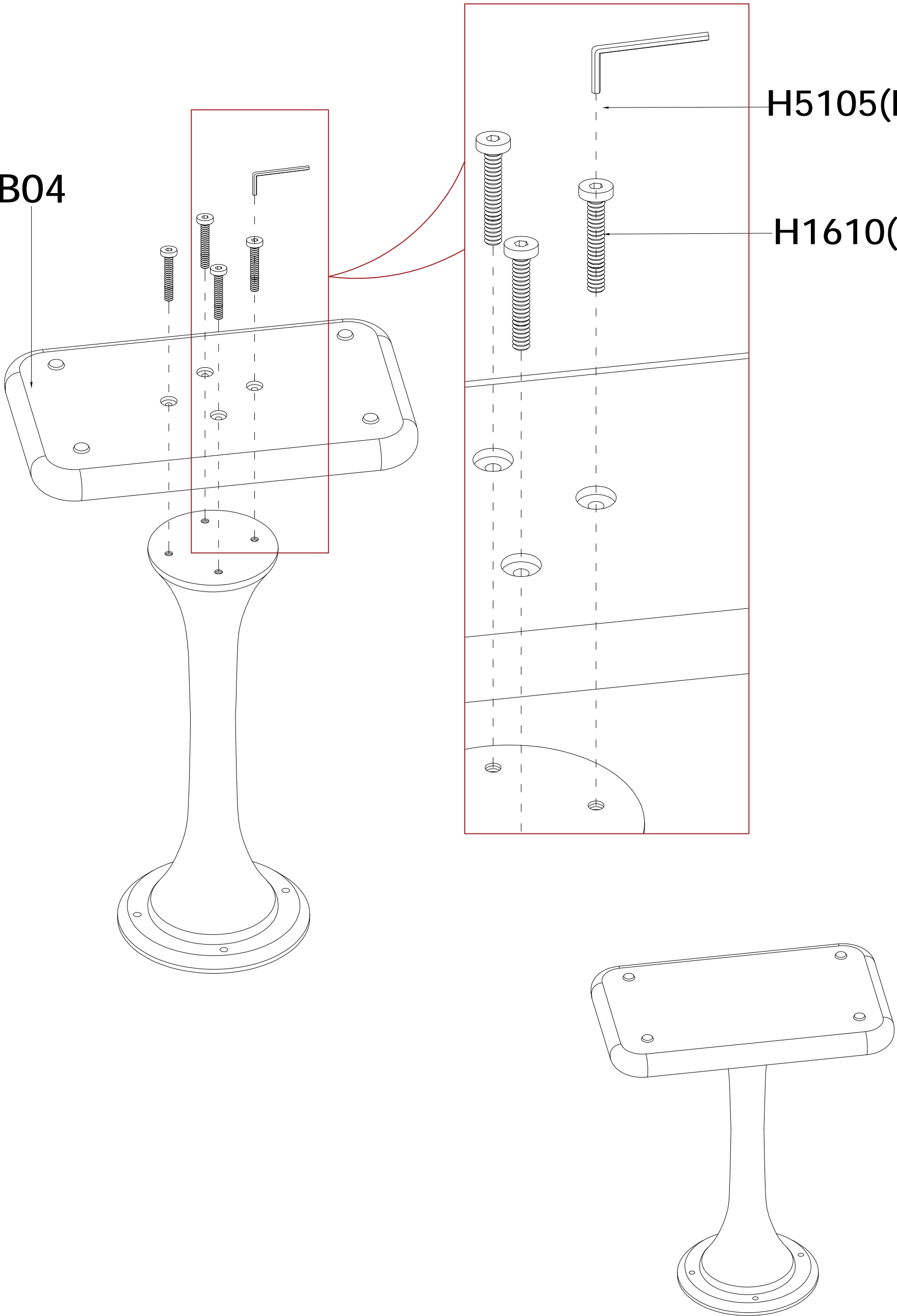


1PC

B04

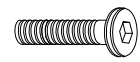
H5105(D)

H1610(B)



Step 3

H1608(C)

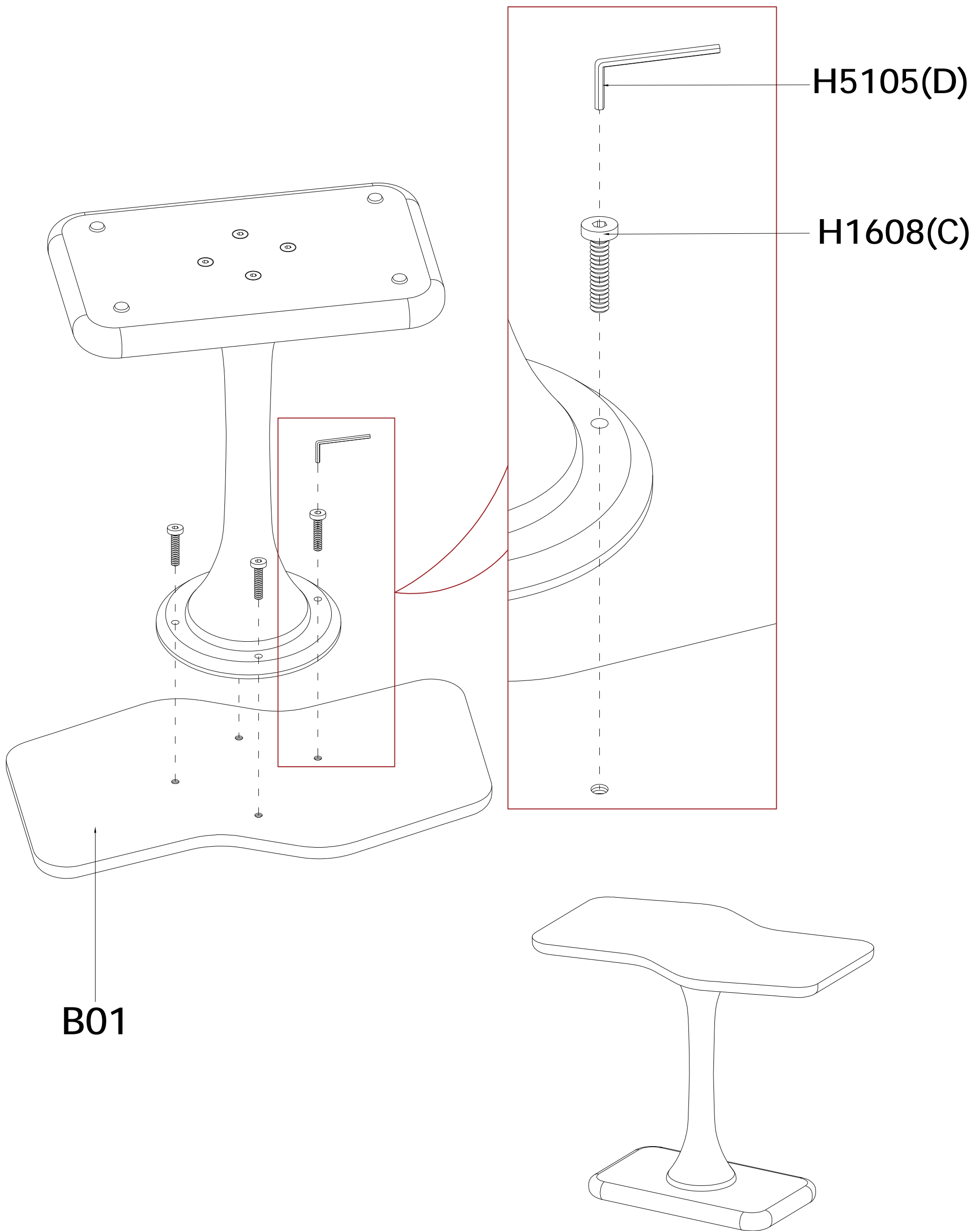


4PCS

H5105(D)



1PC



B01