

Mission Oak 60" TV Console



Hardware List

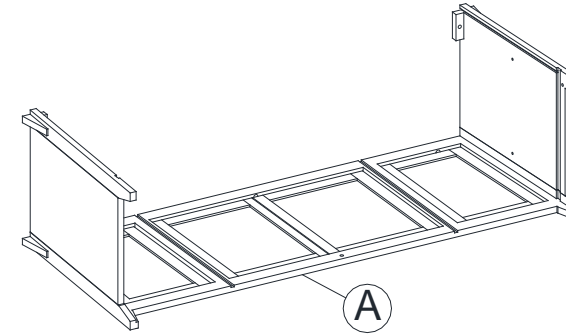
Item	Description	Qty
a	Flat Washers	14PCS
b	Lock Washers	14 PCS
c	Bolts	14 PCS
d	Allen wrench	1 PC
e	Shelf Metal Clip	12 PCS

Parts List

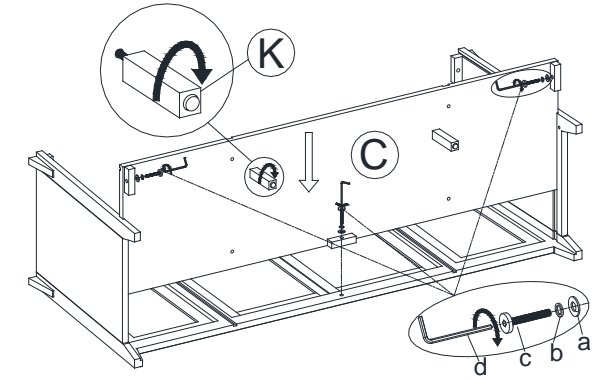
Item	Description	Qty
A	Cabinet	1 PC
B	Top Panel	1 PC
C	Bottom Panel	1 PC
D	Left Middle Vertical Panel	1 PC
E	Right Middle Vertical Panel	1 PC
F	Left Back Panel	1 PC
G	Right Back Panel	1 PC
H	Middle Back Panel	1 PC
I	Side Shelf (not adjustable)	2 PCS
J	Middle Adjustable Shelf	1 PC
K	feet	2 PCS

Assembly Instructions

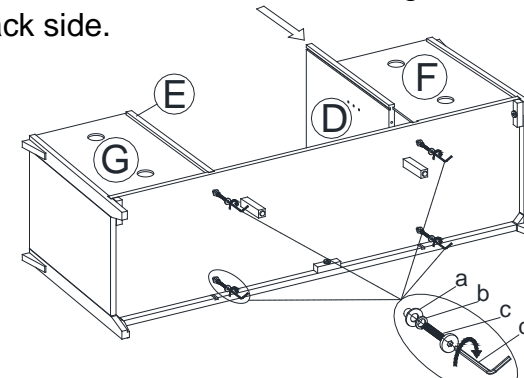
Step 1
Place the cabinet (A) on a soft surface and unfold two side panels.



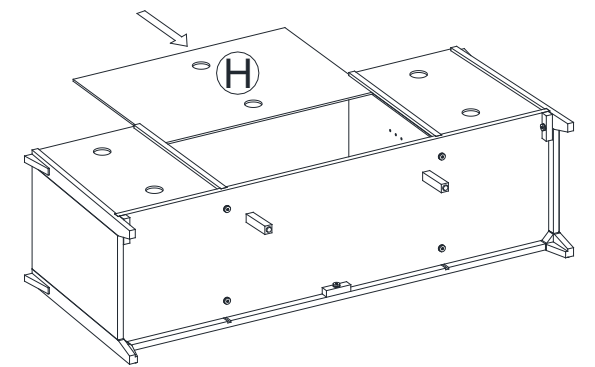
Step 2
Slide the bottom panel (C) into the grooves, and fasten the bolts. Insert two feet on the bottom panel.



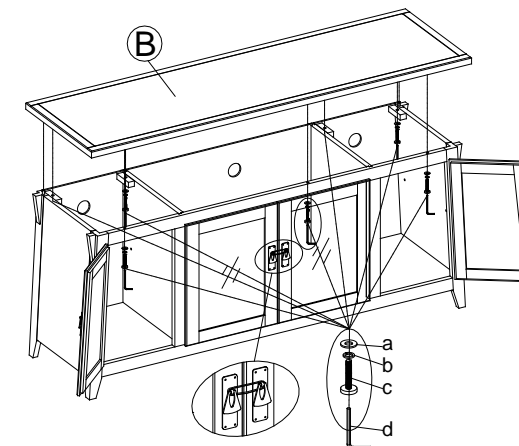
Step 3
Insert the left back panel (F) into the side while then adding the middle vertical panel (D), these are done at the same time. Fasten with bolts. Do the same thing on the right back side.



Step 4
Insert the middle back panel (H).



Step 5
Place the cabinet right side up, put the top on and fasten with bolts on two sides. Cut and remove the plastic strap on middle door pulls, open the center door to fasten the last bolt.



Step 6
Insert the shelf supports and place the shelves on the shelf supports.

