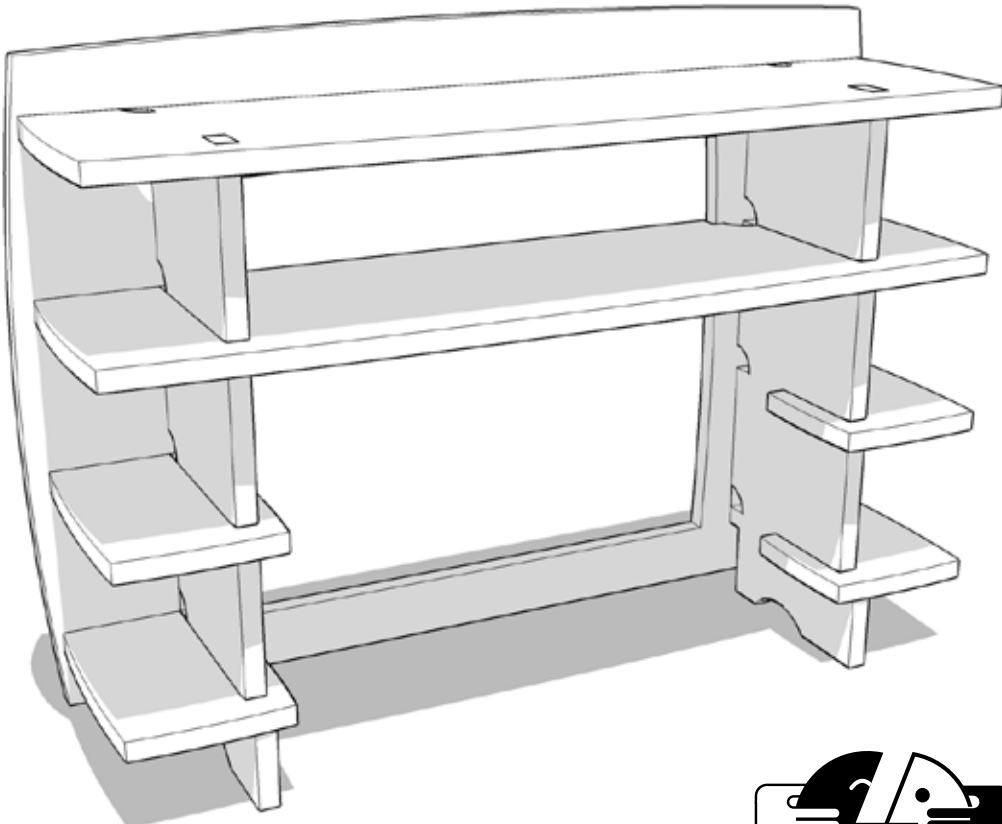
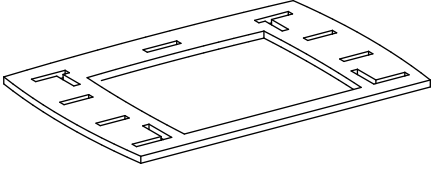
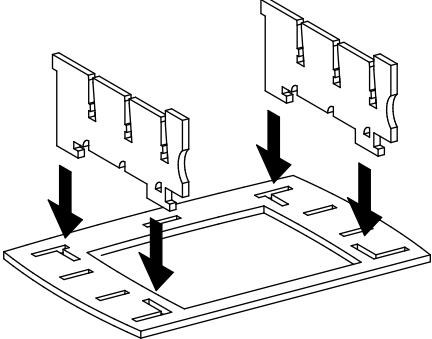
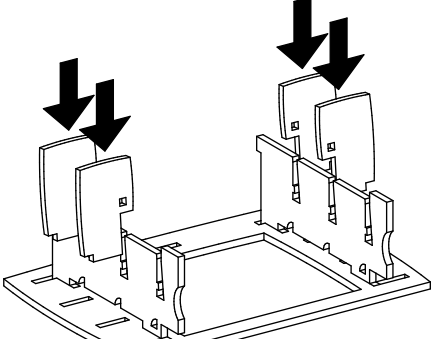
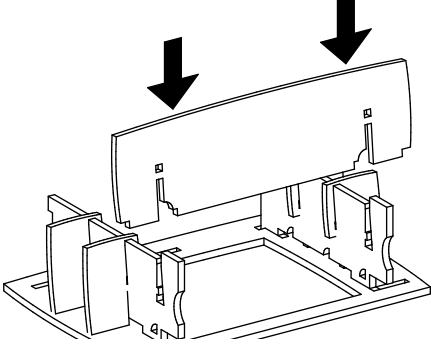
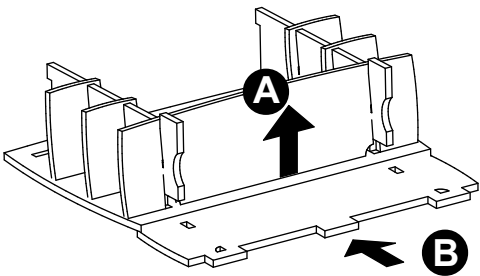
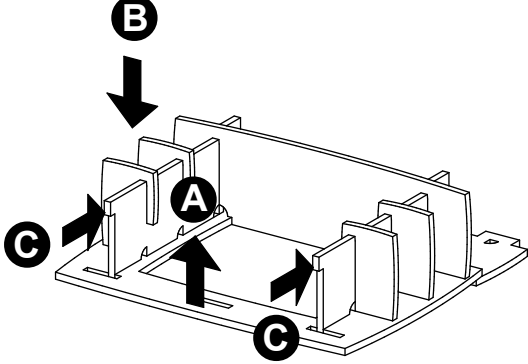
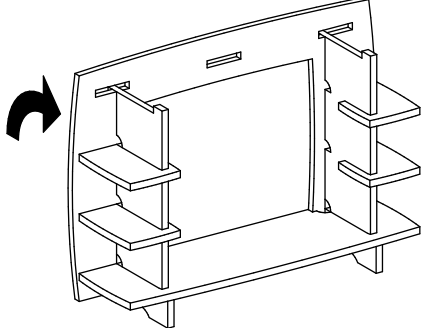
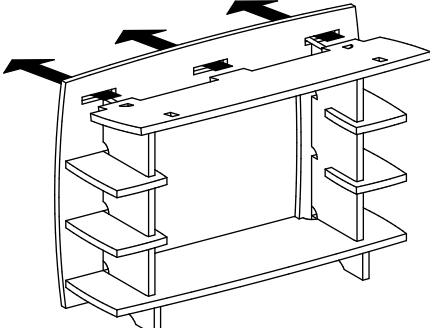
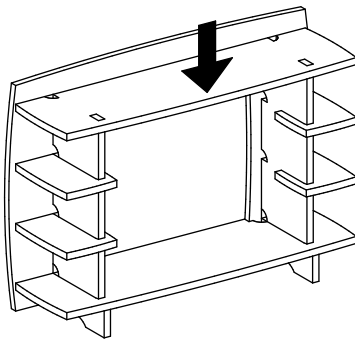


36" Straight Desk Hutch

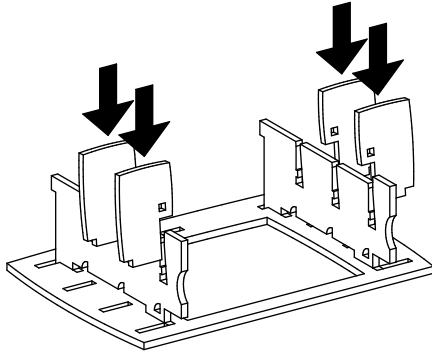


Assembly - Desktop Configuration

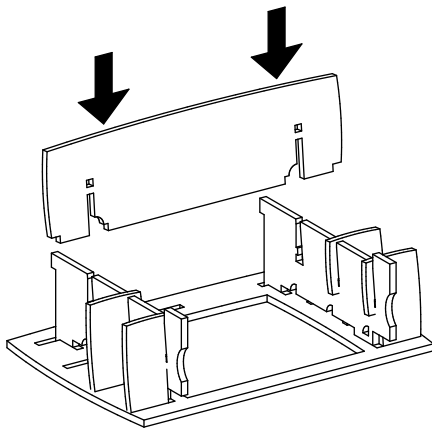
- 
- 
- 
- 
- 
- 
- 
- 
- 

Assembly - Laptop Configuration

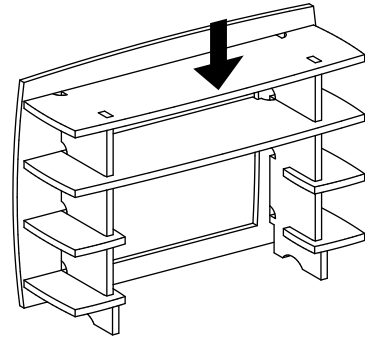
3



4



9



Anti-Tip Strap Installation

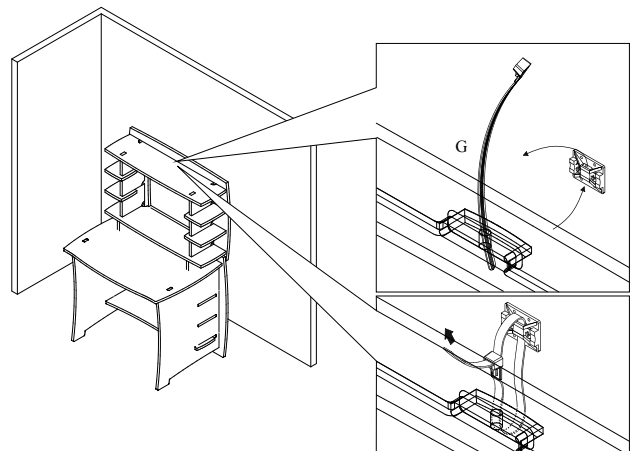
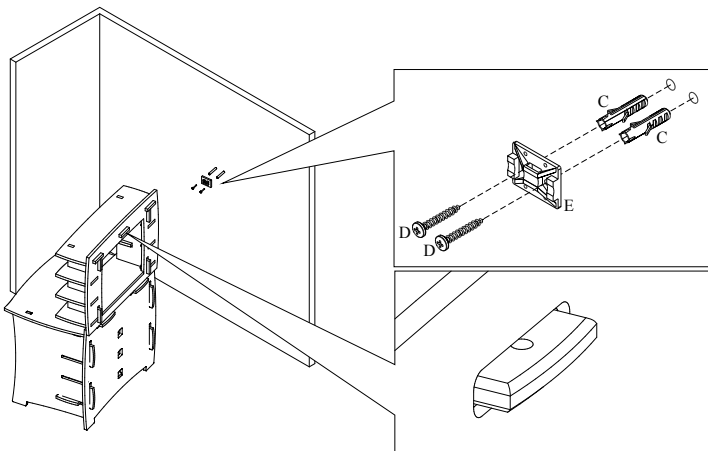
10

We strongly recommend using the anti-tip hardware provided to avoid tipping. It is preferred that you locate a wall stud in your drywall. If you locate the stud, anchors are not needed. If there is no stud available, utilize the plastic wall anchors provided.

Place unit against the wall. Fix the plastic bracket in the wall about 2" below the top of the unit (level with the tab). Mark the wall where the bracket will be screwed in. Drill two holes in the wall. If using the wall anchors, tap them into the drilled holes. Secure the bracket using 2 screws each 1-3/16" long

11

Thread the plastic cable tie through the hole in the tab and through the bracket as shown in the illustration. Feed through the other end of the cable tie and pull until snug. **Do not overtighten.**



Care & Finishing

Thank you for the purchase of your new Legaré product. We certainly hope that it serves you well for many years to come.

Depending upon the finish of your particular components, there are few things that you should do to protect its finish or to insure that the finish that you put on it does not cause you any problems.

Parts finished with a lacquer finish require little more than a light coat of lemon oil or furniture polish to make assembly easier and preserve the finish. Doing this before assembling the parts will prevent chafing and will make the parts easier to slide together.

Before putting any heavy objects with pastic or rubber feet on the horizontal surfaces, you should be aware that some materials can discolor the finishes on furniture. Plastics will release plasticizers which can penetrate and stain some finishes. If your equipment has black plastic or rubber feet, put something between the equipment and the surface to protect the finish. Applying a coat of furniture polish or wax can help in many cases, but will not always eliminate the problem. A pad or mat between the surface and the item is the best solution.

And remember, because Legare is a natural wood product, the resulting color and finish may vary from piece to piece.

Contents

