

HOW TO USE AND CLEAN

In order to keep the LED mirror in perfect condition, we suggest a proper use and regular cleaning.

How to Use

- Please ensure that the product is used within the safe voltage range of 100V-120V.
- Please wrap electrical tape around the wires to prevent electrical leakage.
- Avoid using hard or pointed items to strike the mirror glass so as to prevent damage.

How to Clean

When cleaning the mirror, please follow these steps:

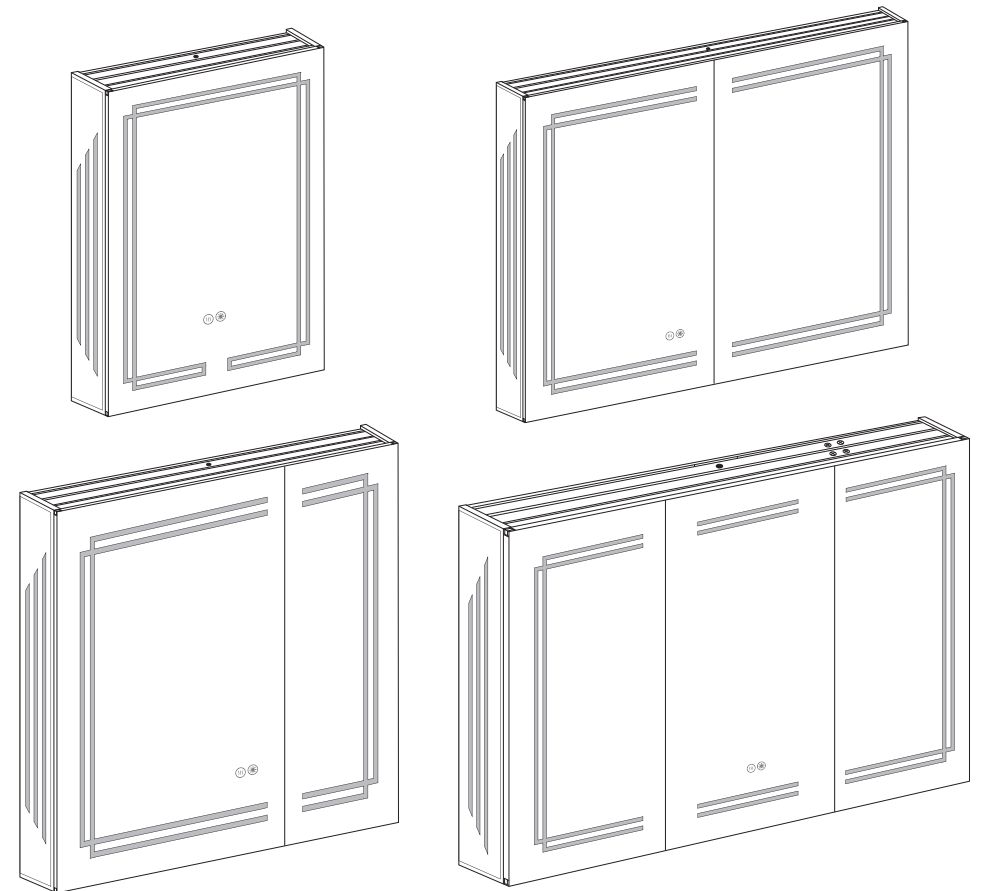
- Use a soft, non-abrasive cloth to clean the mirror. Avoid using rough or abrasive materials that may damage the surface.
- Do not use any cleaning agents that may cause irritation or damage to the mirror's finish. Instead, use any of the recommended cleansers to remove dirt and grime.

★ Warranty

A two-year warranty from the date of your purchase.

BATHROOM LED MEDICINE CABINET













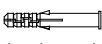



INSTALLATION MANUAL



CONTACT US

Thank you for shopping with us! We hope that our products have added a touch of brightness to your life. If you need any assistance, please don't hesitate to reach out. Our dedicated team is available 24/7 to ensure your satisfaction.

PACKING LIST

	 20x26	 20x32 24x32	 30x26	 30x32	 36x32	 40x32	 48x32
 Tempered Glass Plate	2	3	2	3	3	3	6
 Lower Bracket	1	1	1	1	1	1	1
 Upper Bracket	2	2	3	3	4	4	4
 Shelf Clip	10	14	10	14	14	14	26
 Spout Plug	8	8	8	8	8	8	16
 Anchors A	6	6	8	8	10	10	10
 Short Screws							
 Anchors B	6	6	8	8	10	10	10
 Long Screws							

BEFORE INSTALLATION

Thank you for choosing our products. To ensure the best experience, **please read carefully and follow the instructions provided below before assembling and installing the product.**

1. Important Safety Instructions:

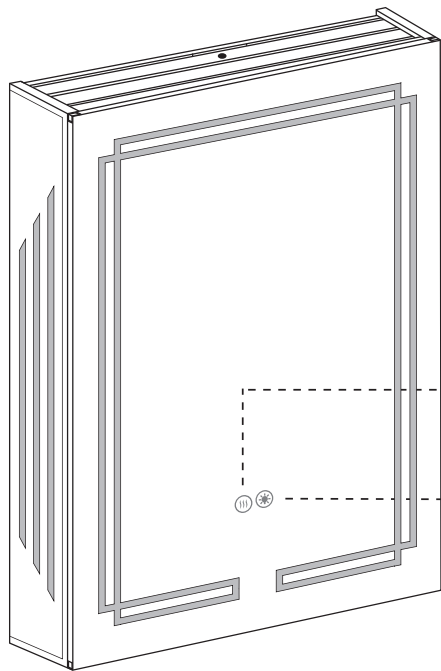
- Assembly by two or more adults is highly recommended, so as to ensure proper installation.
- To connect the wires to the electrical junction box, a qualified technician or electrician is highly recommended.
- Disconnect power before installing, adding, or changing any components.
- Make sure that the fixing location can support the weight of the entire fixture (e.g. solid stone or brick walls).
- To prevent injury, the mirror must be installed as per the instructions provided.
- The medicine cabinet should be installed on a wood panel wall thicker than 16mm, or a concrete wall thicker than 8mm.

2. Pre-assembly:

- Inspect the product immediately upon receipt for any transit damage or missing parts.
- The voltage for your product should be between 100V and 120V. If the voltage exceeds 120V, please use a transformer.
- You can connect the wires directly to your junction box or plug.

3. Before Installation

- Please check and make sure that the mirror is functioning properly.



☺ Anti-fog

☀ ON/OFF/Brightness

① ON/OFF/ Brightness ☀

The button controls light switch and brightness. Tap the button to turn on the light and tap again to turn it off. The brightness can be adjusted with a long press on the button. After turning off the mirror light, you can turn off the light of touch switch as well by long pressing the ON/OFF button.

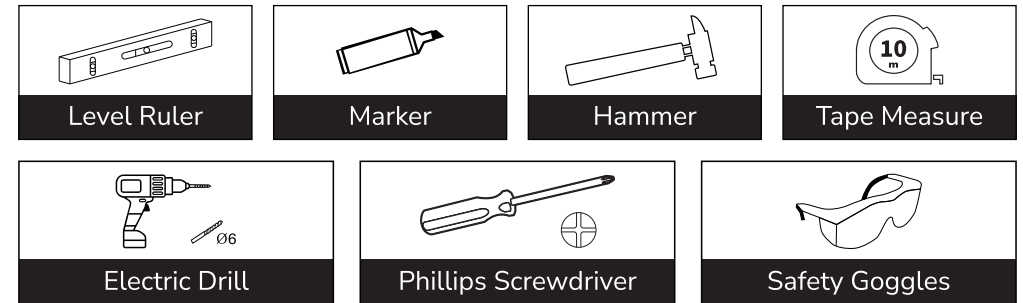
② Anti-fog ☺

The anti-fog function helps resist the troubling fog and keep a clear reflection image. To save energy, it will automatically turn off after one hour.

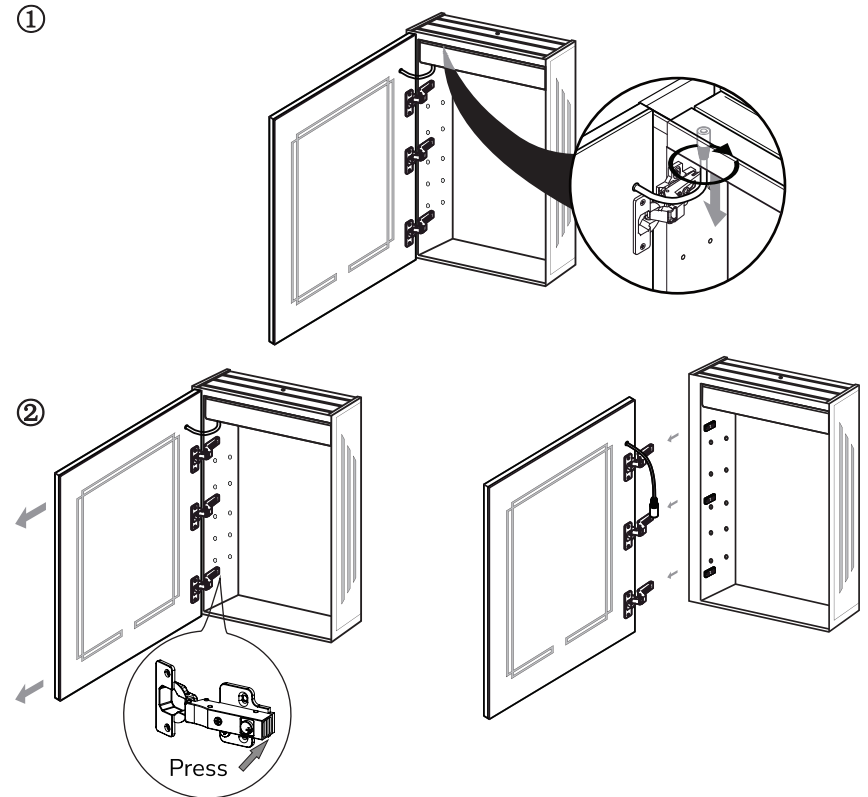
By following these steps, you can ensure that your mirror is working properly before installation. If there're any problems, please contact us for support.

INSTALLATION

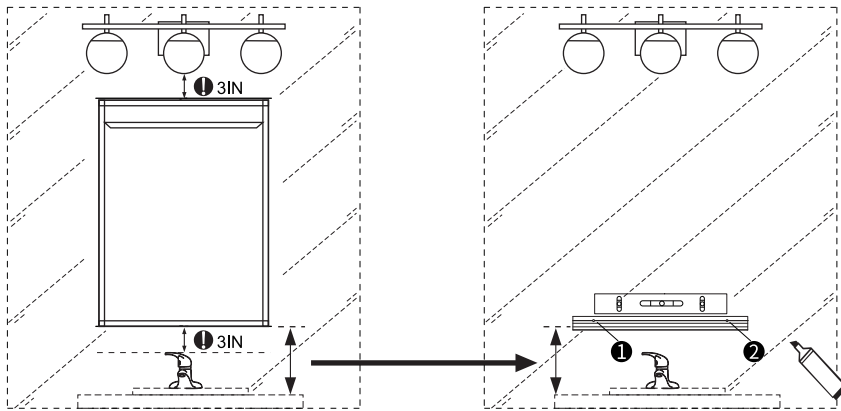
Installation Tools



1. Before installation, release the cable that connects the door and the cabinet (①). Press the lever under the hydraulic hinge (②), detach and slide the door off the frame (②).

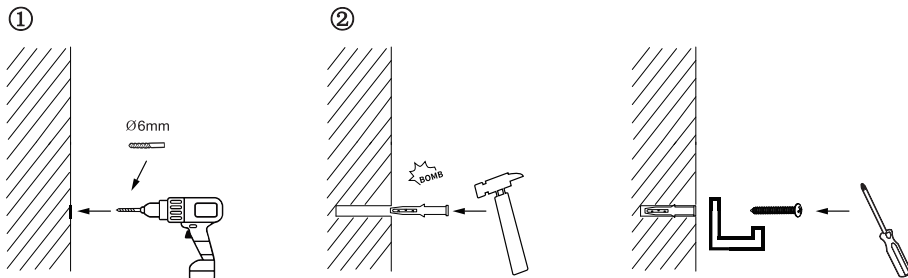


2. Place the medicine cabinet against the wall and mark the placement of the cabinet. Draw a line on the wall with a level and marker to indicate where the cabinet bottom is and mark spots (①②) for the lower brackets.



NOTE: Please hang the cabinet at least 3 inches above the faucet.

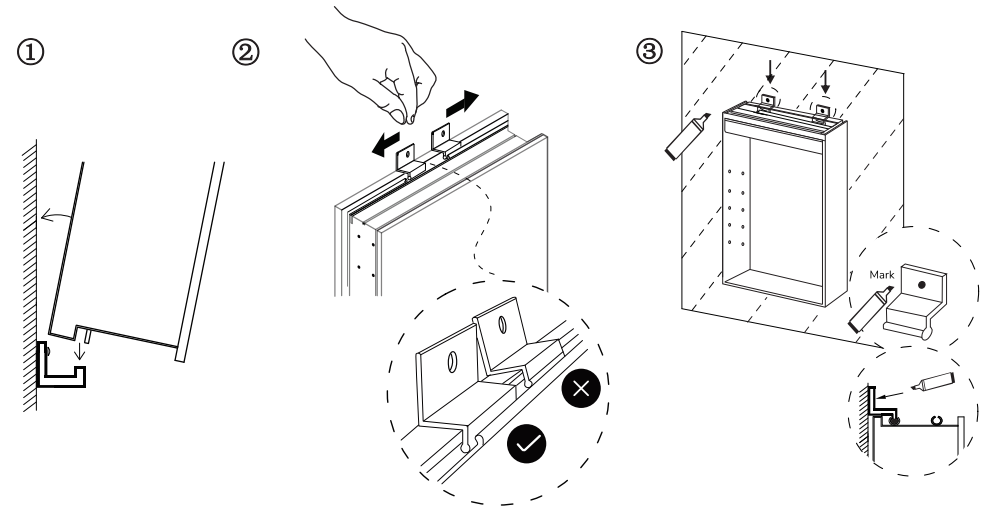
3. Use an electric drill to punch holes at the marked spots (①), then apply the 4 wall anchors with a hammer (②).



Thickness Of Wall :	Recommended Drill Bit :
> 5/8" (16mm)	1/4" (6mm) drill bit, drilling depth in 1 31/32" (50mm)
5/16" (8)-5/8" (16mm)	25/64" (10mm) drill bit
< 5/16" (8mm)	Unapplicable

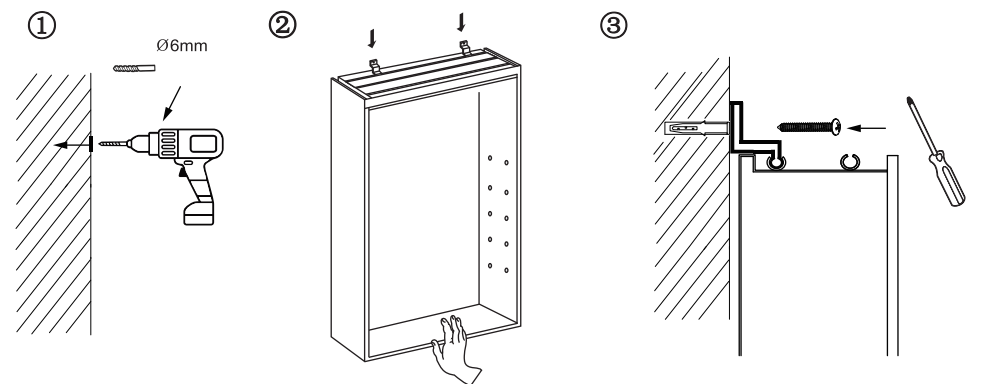
NOTE: Please wear goggles and pay attention to your safety while drilling.

4. Place the medicine cabinet securely onto the lower bracket and hold it upright (①). Secure two upper brackets in the groove on top of the cabinet (②) and mark the spots on the wall (③).



⚠ Please make sure two brackets slide into the groove

5. Use an electric drill to punch holes at the marked spots (①), secure the upper brackets in the groove (②), and mount them to the wall with screws (③).

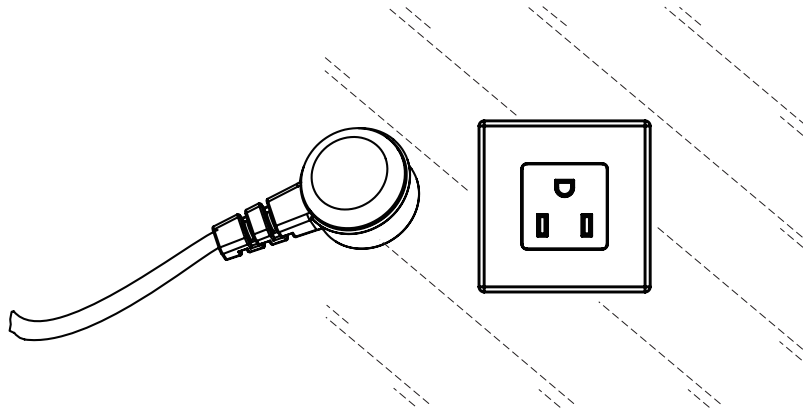


NOTE: Gently adjust the mirror to ensure that the mirror is securely installed.

6. Connect the power. You can use the plug directly or connect the wire to a standard switch lighting circuit.

• **Plug-in:**

Before hanging the cabinet securely, plug the power cable to a standard socket.



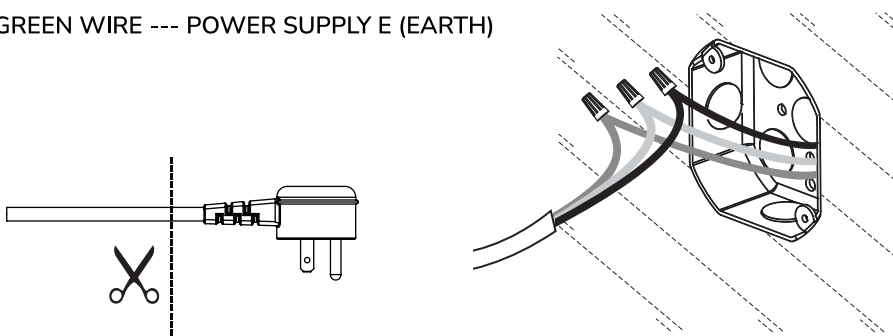
• **Hardwired:**

Cut the head off the plug and hardwire it into an outlet.

BLACK WIRE --- POWER SUPPLY L (HOT)

WHITE WIRE --- POWER SUPPLY N (NEUTRAL)

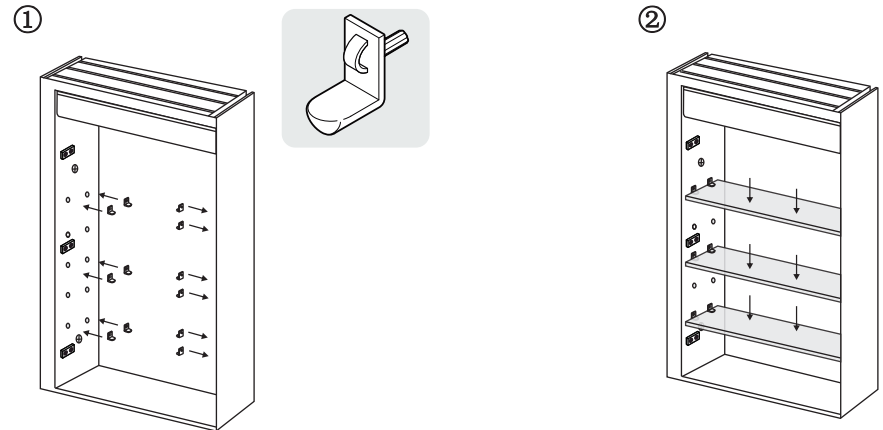
GREEN WIRE --- POWER SUPPLY E (EARTH)



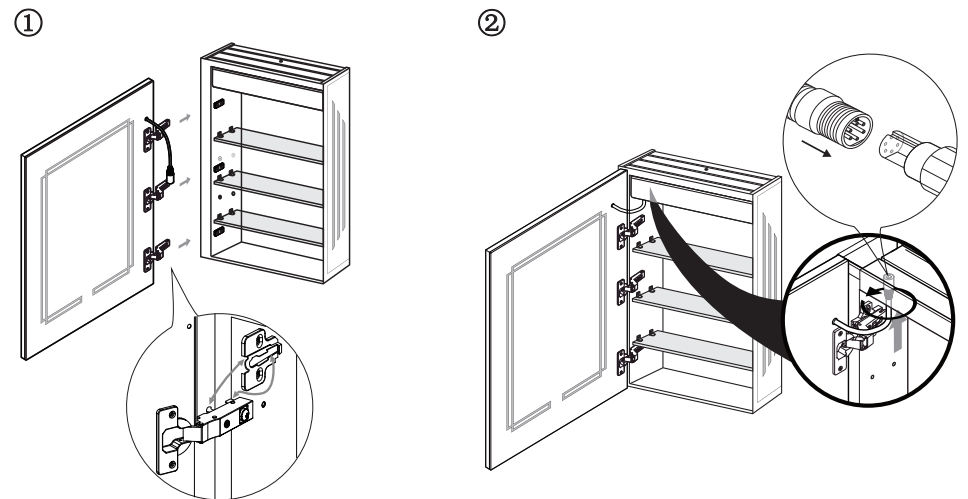
⚠ WARNING: This mirror must be earthed.

⚠ Reminder: Please make sure the power is cut off before installation.

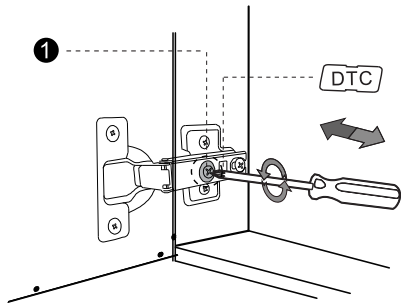
7. Insert the provided shelf clips into the round holes on both sides of the cabinet (①). After installing the shelf clips, insert the glass shelf (②).



8. Attach the cabinet door back after installing the shelves (①) and plug the cable back to the top of cabinet and screw it securely (②).

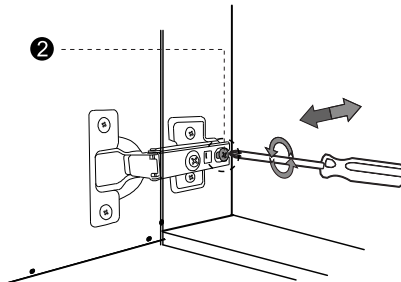


HOW TO ADJUST HYDRAULIC HINGES

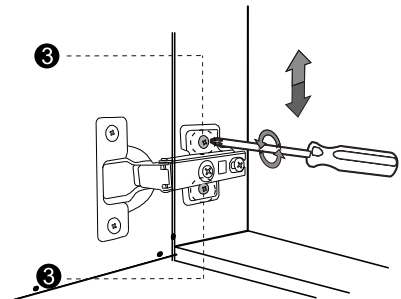


Open the “DTC” cover

Turn screw ❶ to adjust the depth of door overlay.



Turn front screw ❷ to adjust the gap between the door and cabinet.



Turn the eccentric screw ❸ to release the mounting plate from the cabinet, allowing the door to be moved up and down.

SPECIFICATIONS

PARAMETER	SPECIFICATION
Color Temperature	3000K-6500K
Input Voltage	AC100-120V
Output Voltage	24V DC
CRI	≥ 80 Ra
Working Temperature	-10~45 C
Life Span	25000 hours
Anti-fog	Yes
IP Rate	IP44
Wiring Method	Hardwired
Switch	Touch Sensor Switch