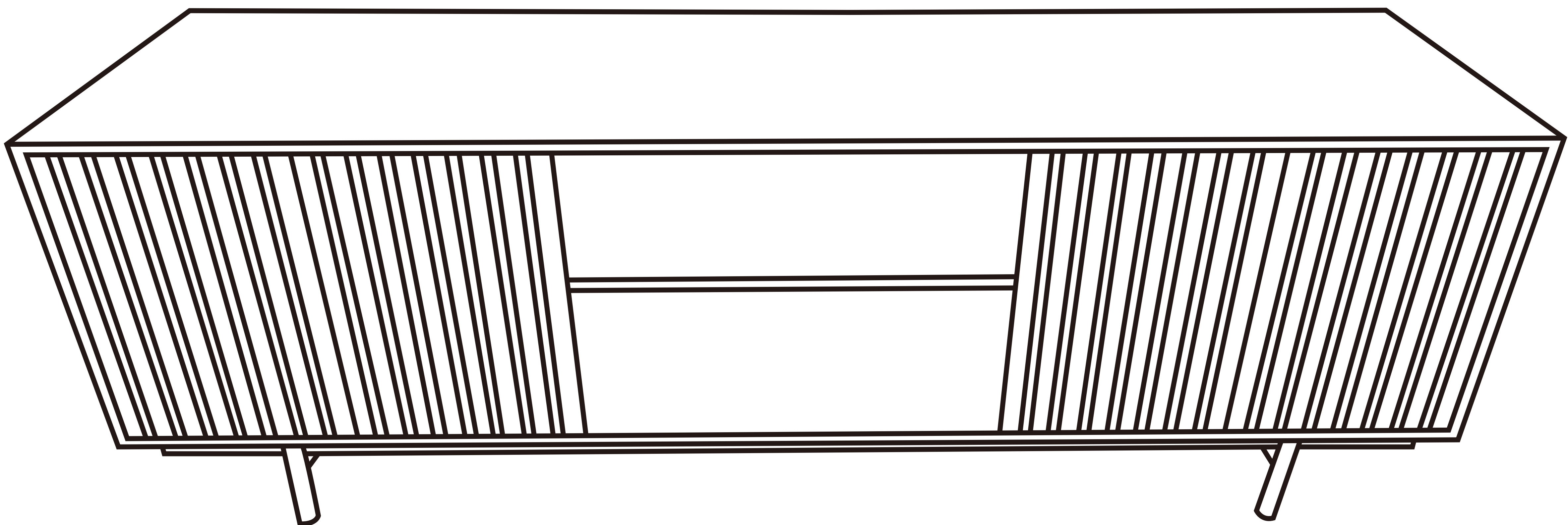


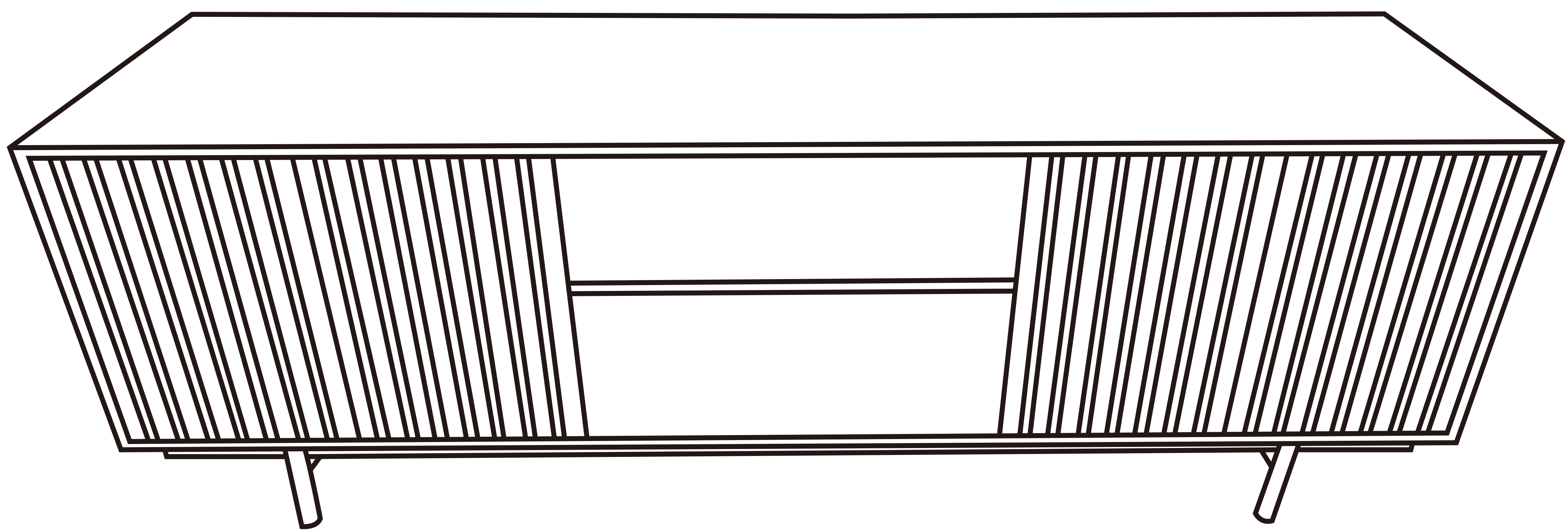
# Assembly Manual

## TV stand



Please read this manual carefully before any operation and keep it properly for future use.

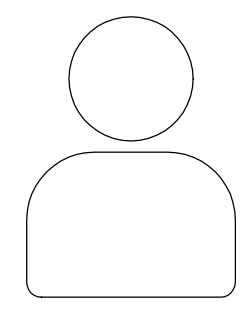
# Exploded View



# Components List

**15** min

Assembly Time



One People

Note: The number after "+" sign indicates the extra piece(s).

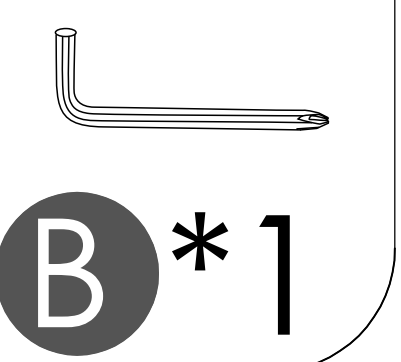
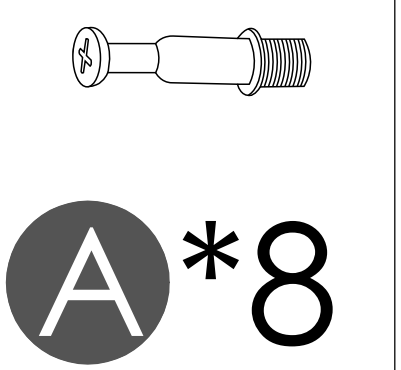
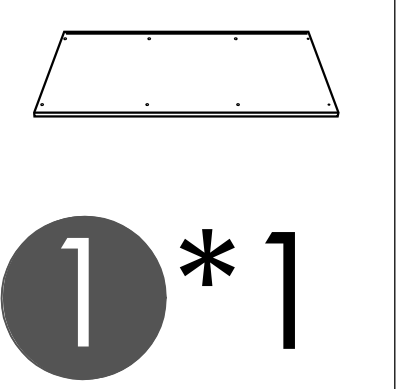
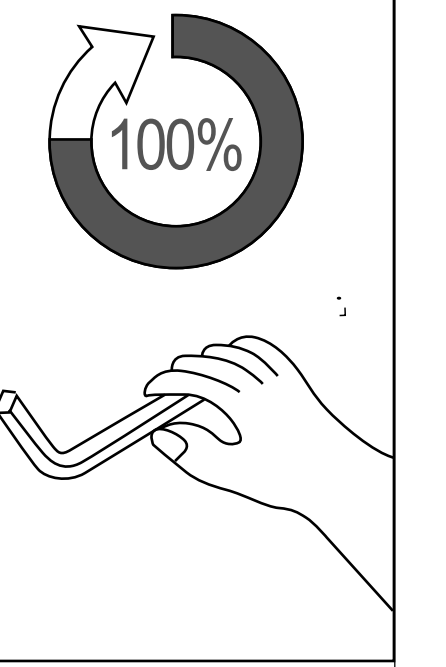
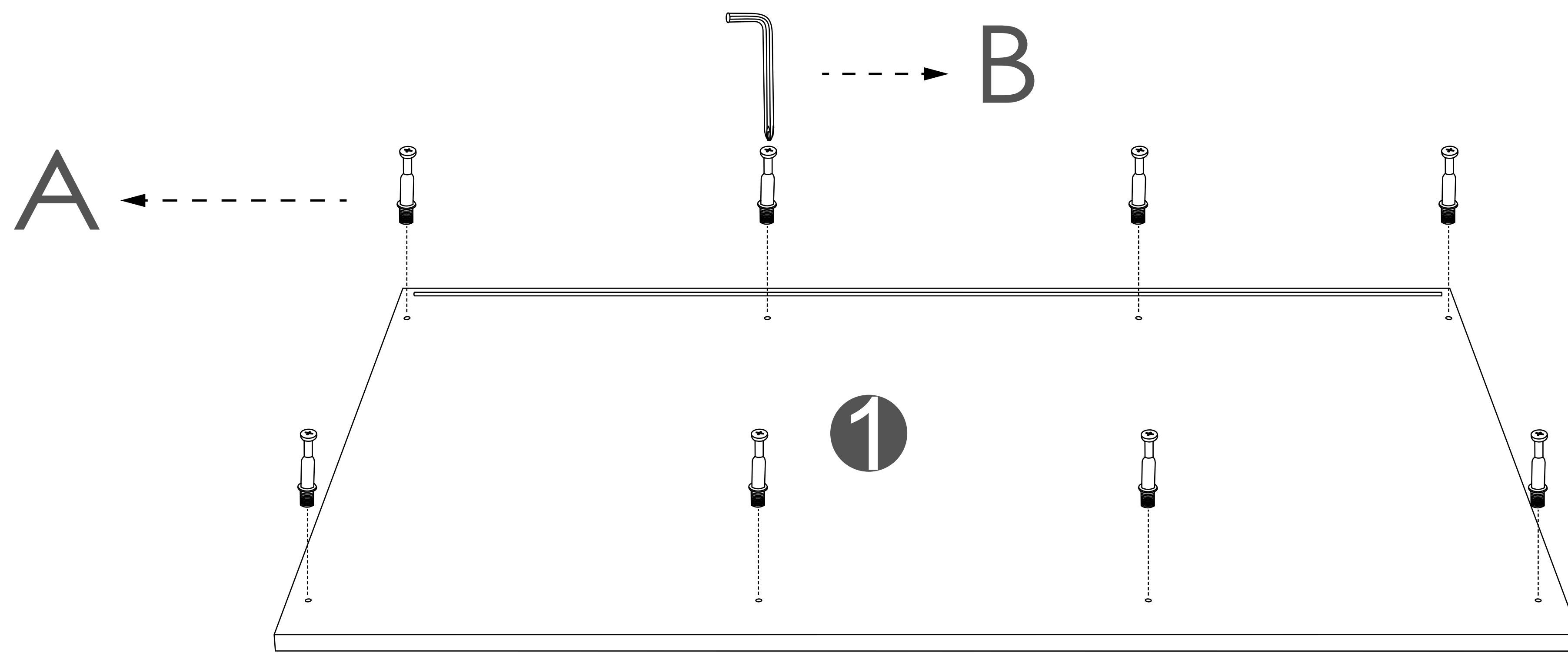
 1 *1	 2 *1	 3 *1
 4 *1	 5 *1	 6 *1
 7 *2	 8 *2	 9 *1
 10 *3	 11 *2	 12 *2

<b>A</b> 	<b>B</b> 	<b>C</b> 	<b>D</b> 	<b>E</b> 
lock pin	Allen wrench	Klix cam	Bolt	Ejector
8+1	1	8+1	M3x10mm 12+2	4+1
<b>F</b> 	<b>G</b> 	<b>H</b> 	<b>I</b> 	<b>J</b> 
Board support	Door shaft	Magnetic piece	Bolt	Bolt
12+2	8+1	4+1	M7x35mm 8+1	M3x15mm 8+1
<b>K</b> 	<b>L</b> 	<b>M</b> 	<b>N</b> 	<b>O</b> 
Stabilizer	Bolt	Washer	Allen wrench	Bolt
8+1	M6x25mm 8+1	M6x14x1.5mm 16+2	1	M6x40mm 8+1

# Assembly Instruction

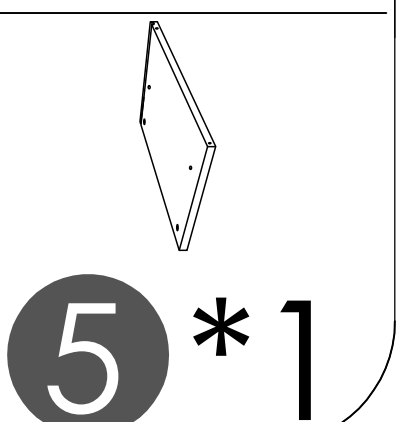
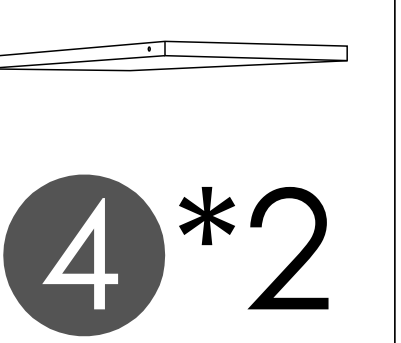
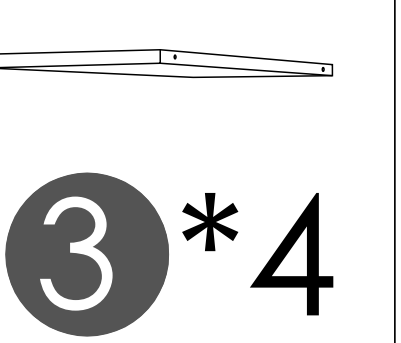
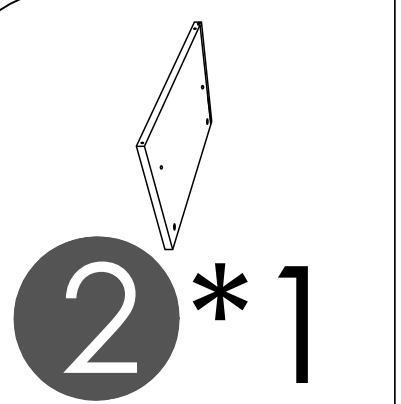
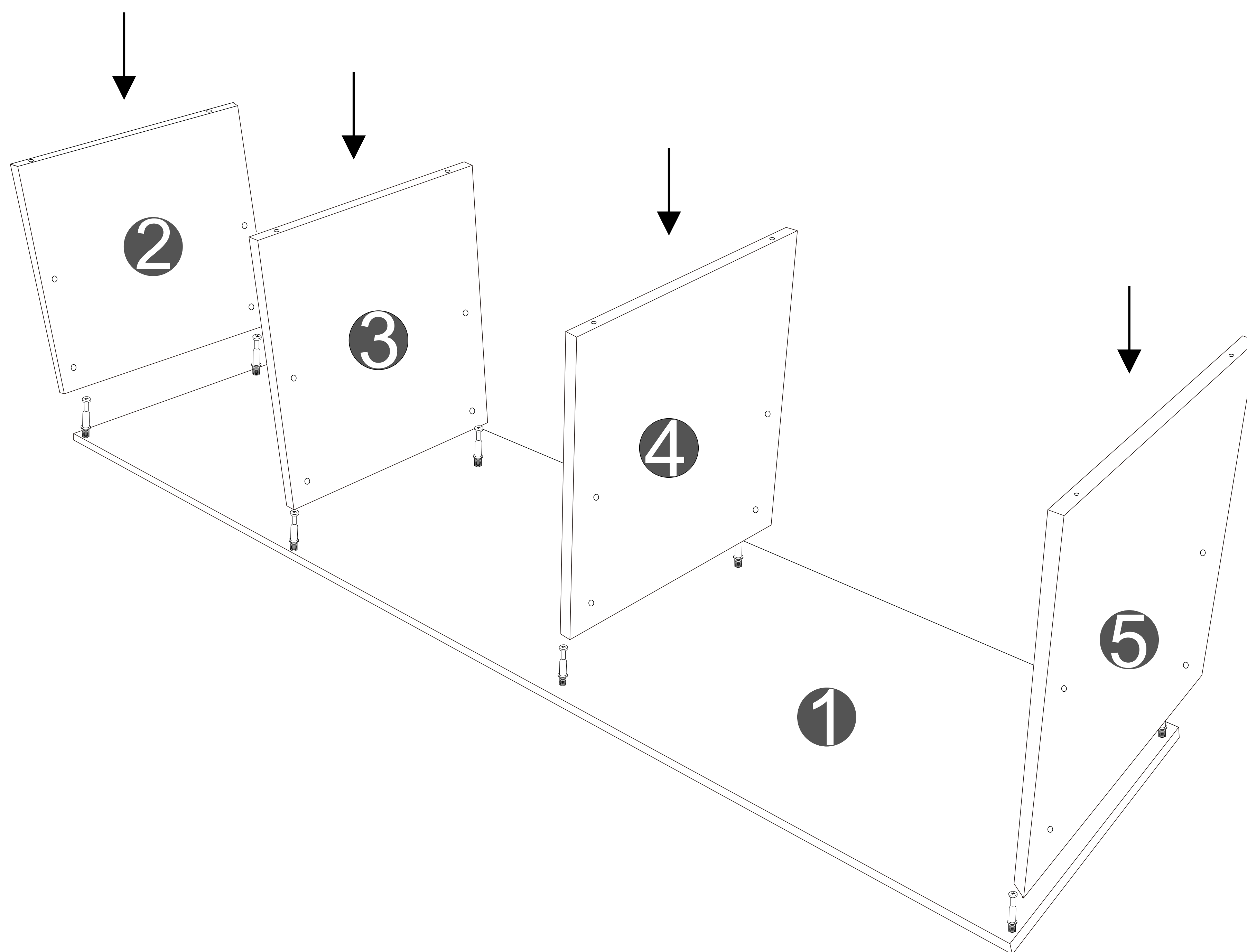
## STEP 1

Screw lock pins(A) into holes on top board(1) using Allen wrench(B).



## STEP 2

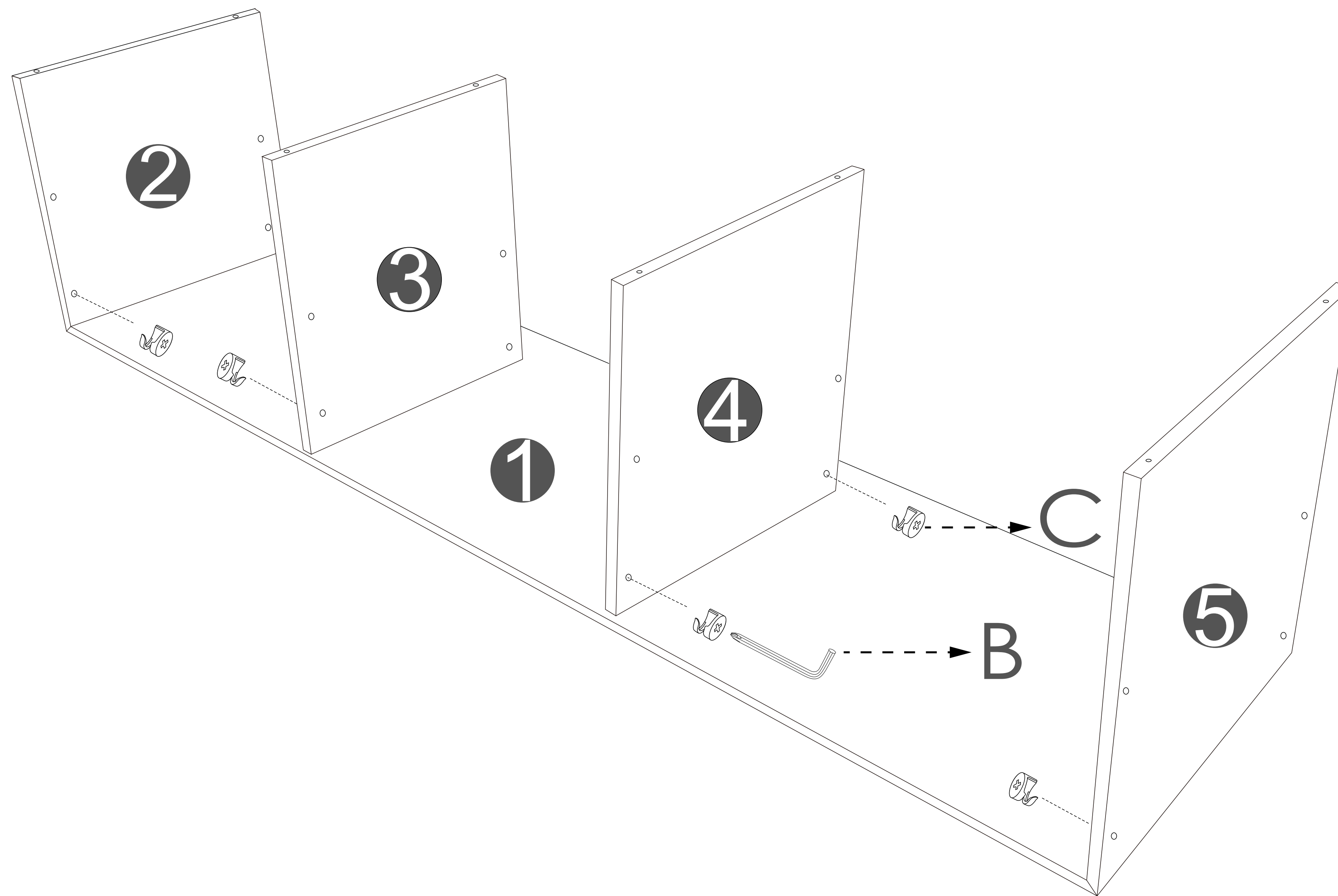
Attach standing boards(2,3,4&5) to the top board(1).



# Assembly Instruction

## STEP 3

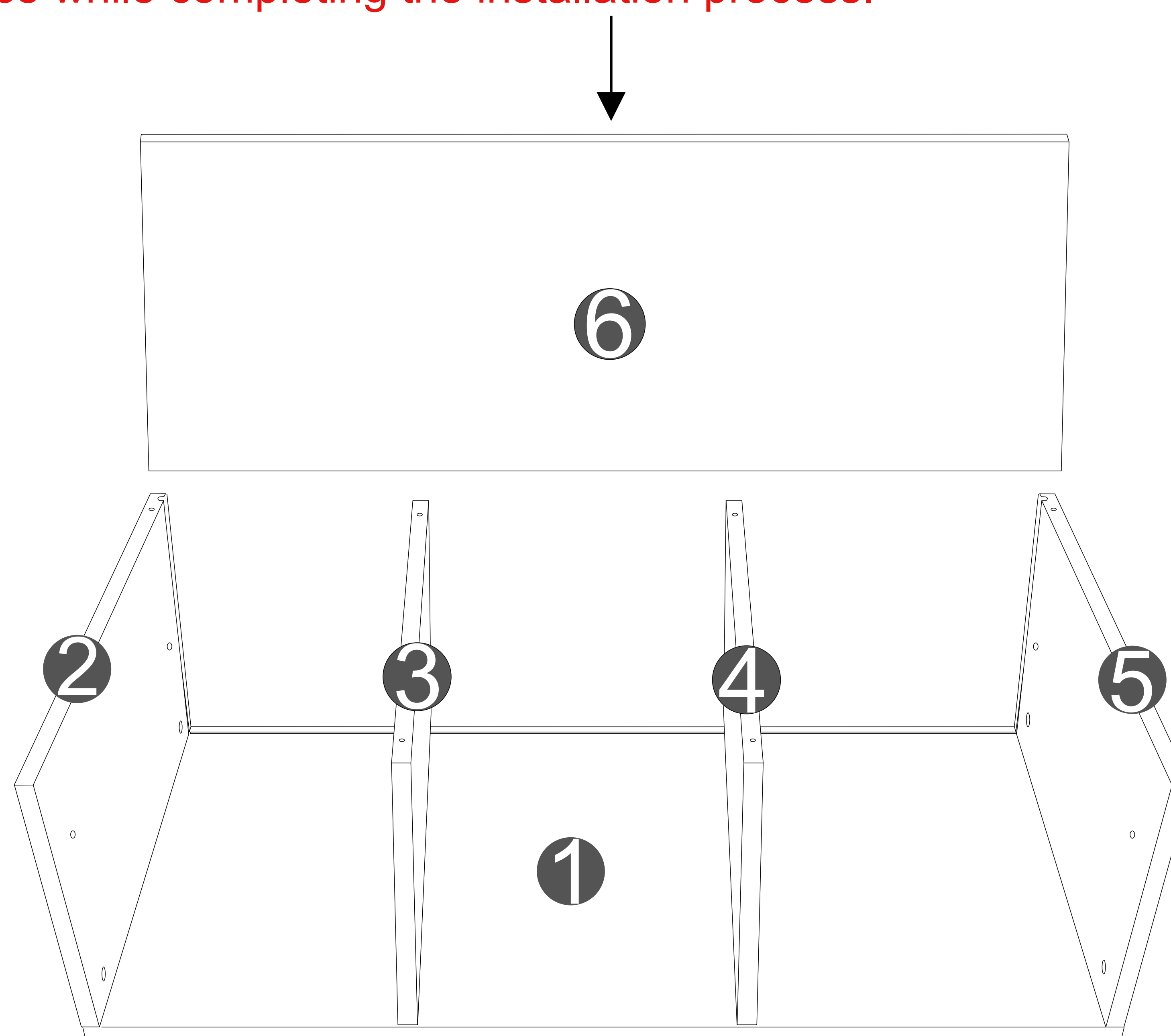
Attach Klix cams(C) to the standing boards, and lock them using Allen wrench(B).



## STEP 4

Attach back board(6) to the slot of standing boards and top board.

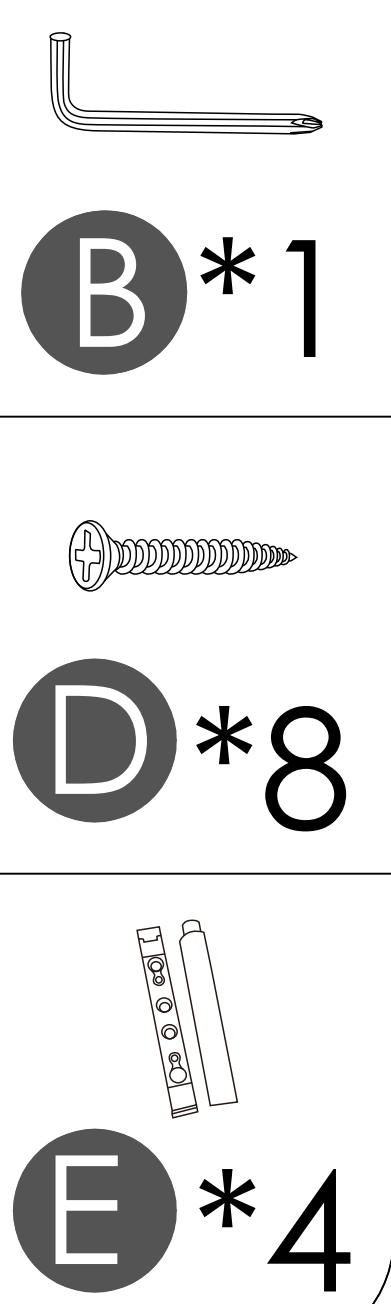
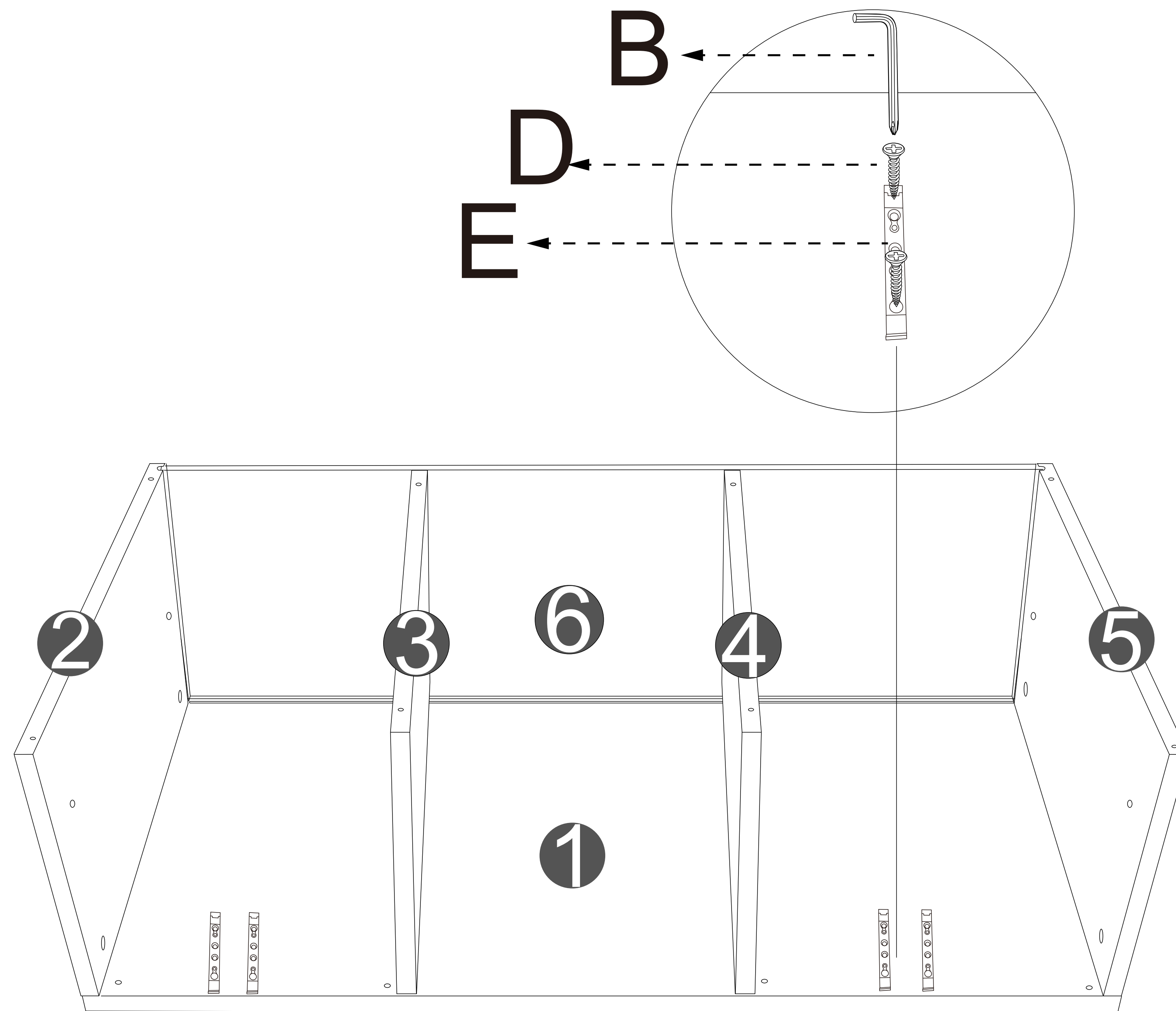
The back panel is soft and flexible.  
It requires manual support during installation.  
Please exercise patience while completing the installation process.



# Assembly Instruction

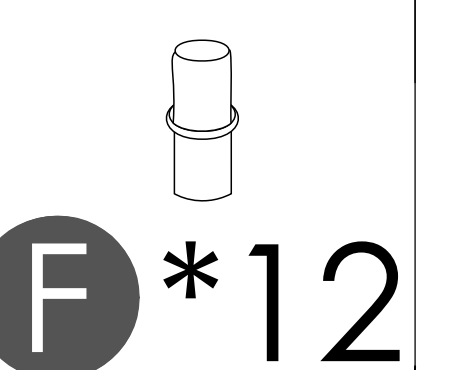
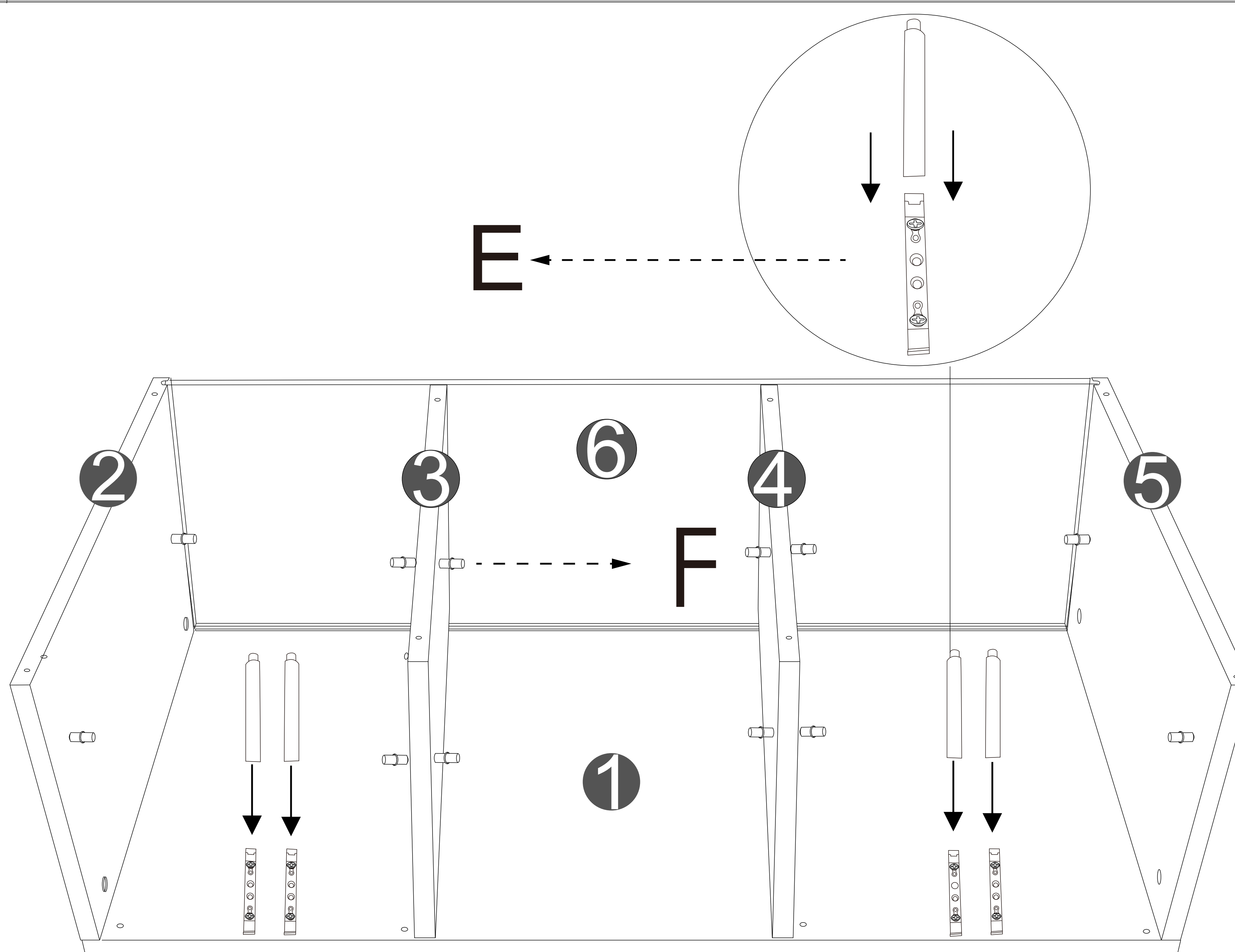
## STEP 5

Attach Ejectors(E) to the top board using bolts(D) and Allen wrench(B).



## STEP 6

Insert board supports(F) into the standing boards.

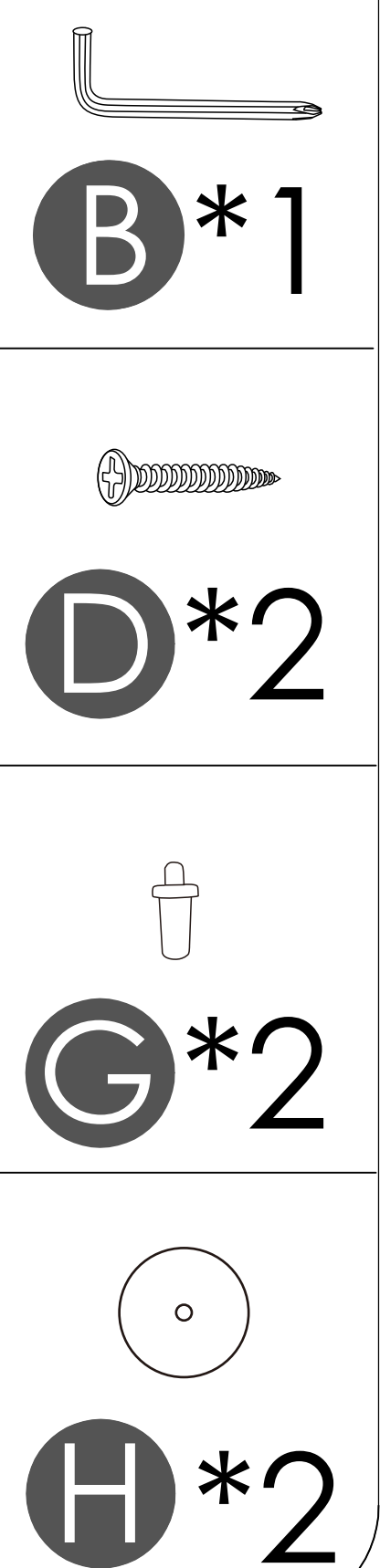
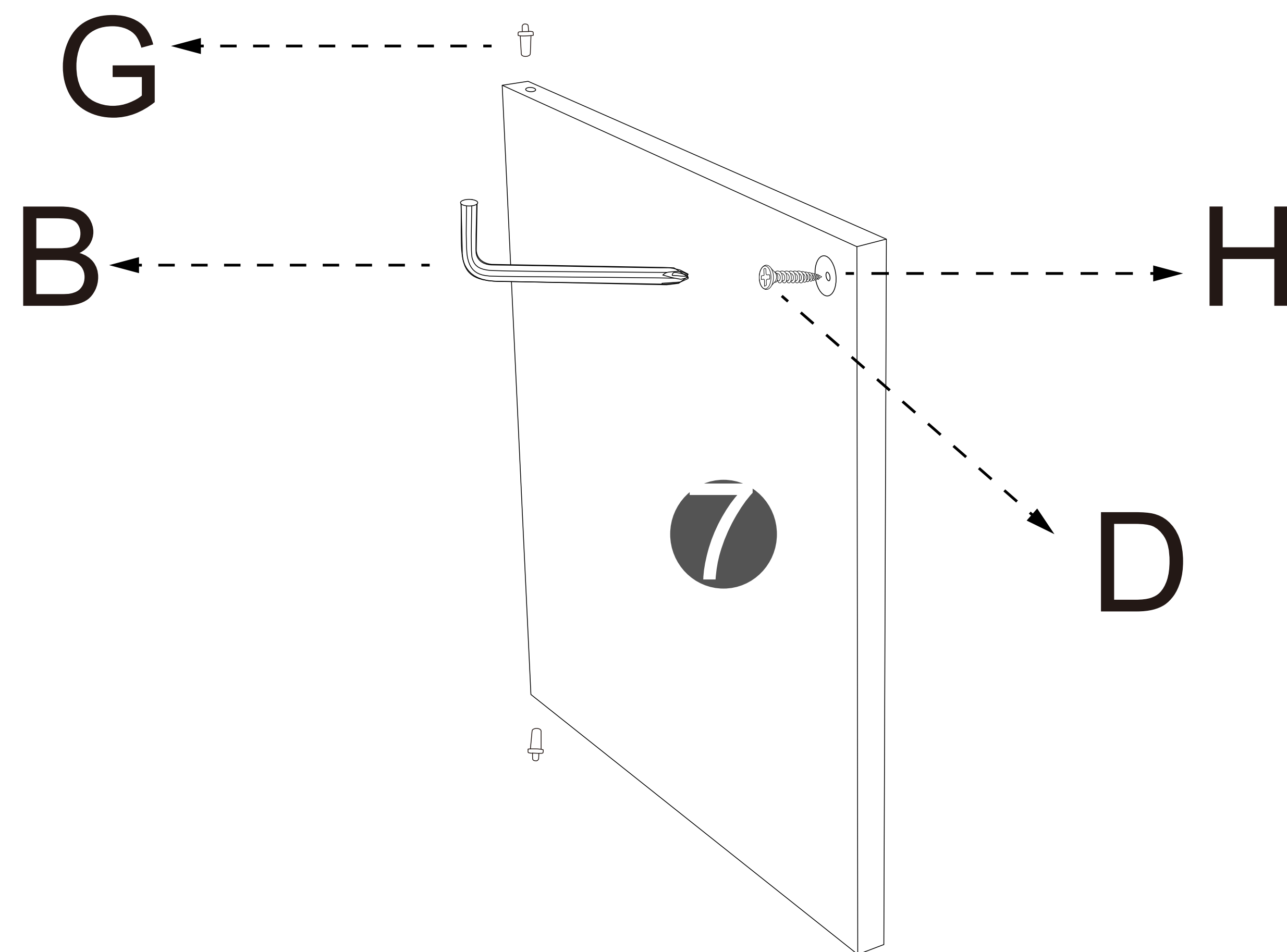


# Assembly Instruction

## STEP 7

Attach magnetic pieces(H) to the door boards(7) using bolts(D) and Allen wrench(B), then insert door shafts(G) into the hole.

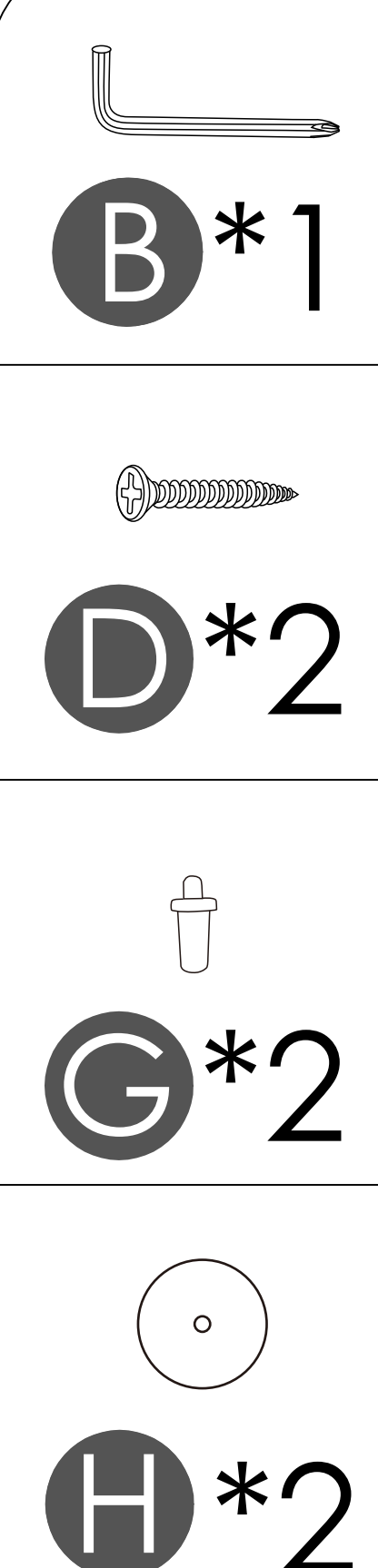
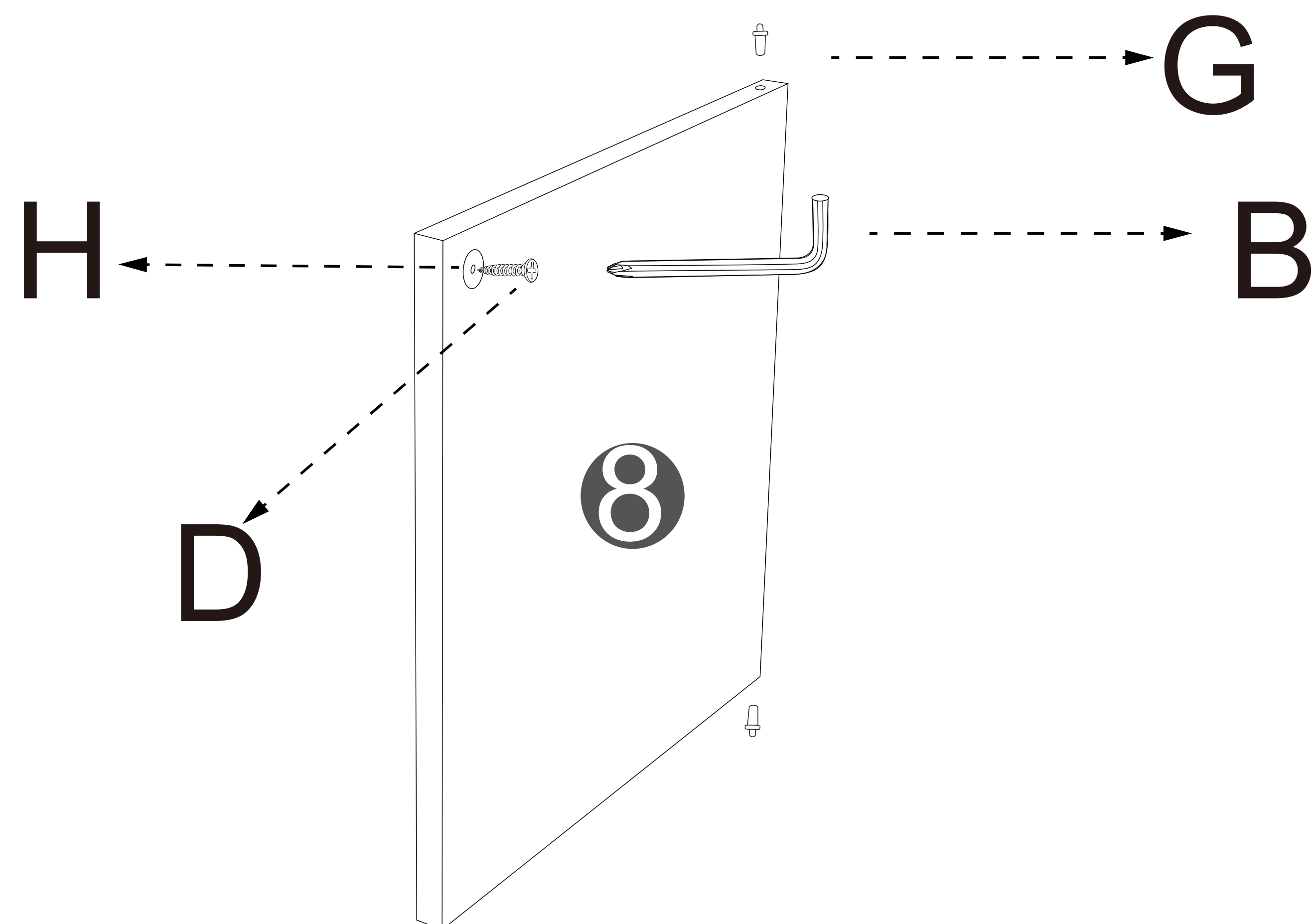
x2



## STEP 8

Attach magnetic pieces(H) to the door boards(8) using bolts(D) and Allen wrench(B), then insert door shafts(G) into the hole.

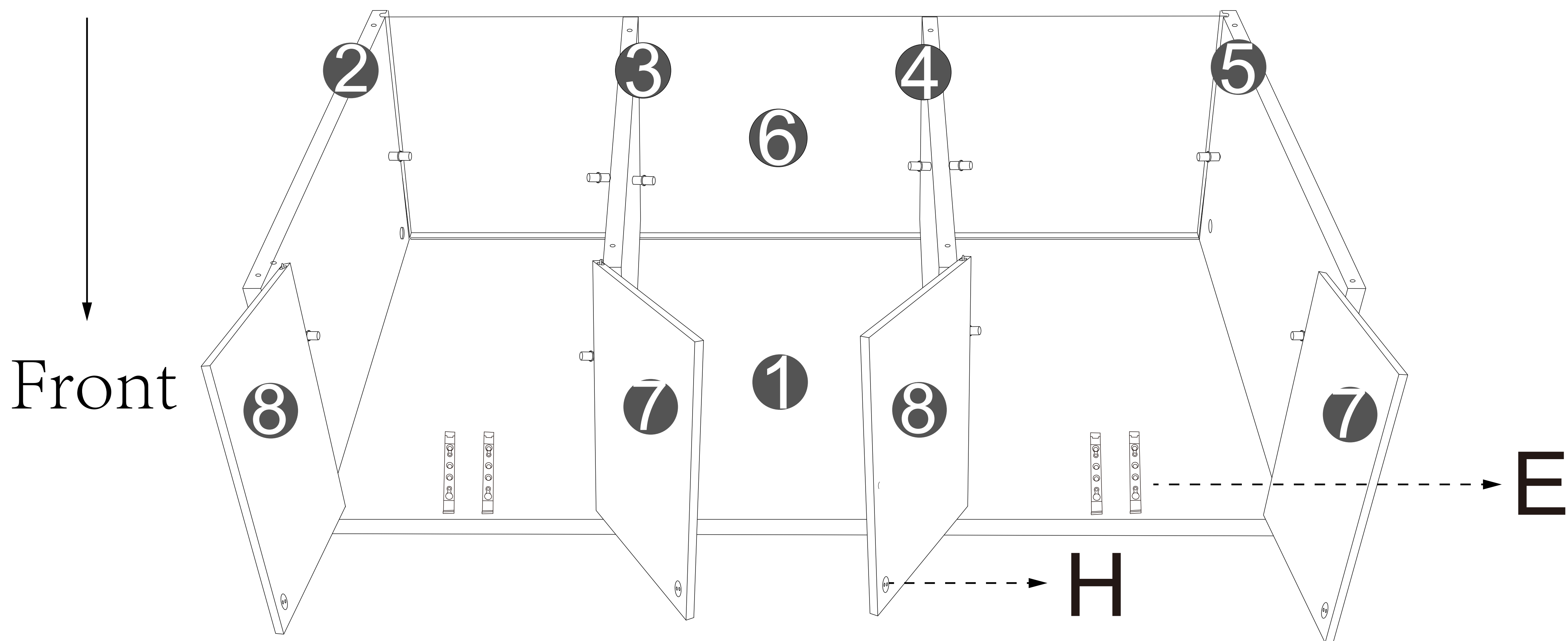
x2



# Assembly Instruction

## STEP 9

Attach the door boards to the top board.



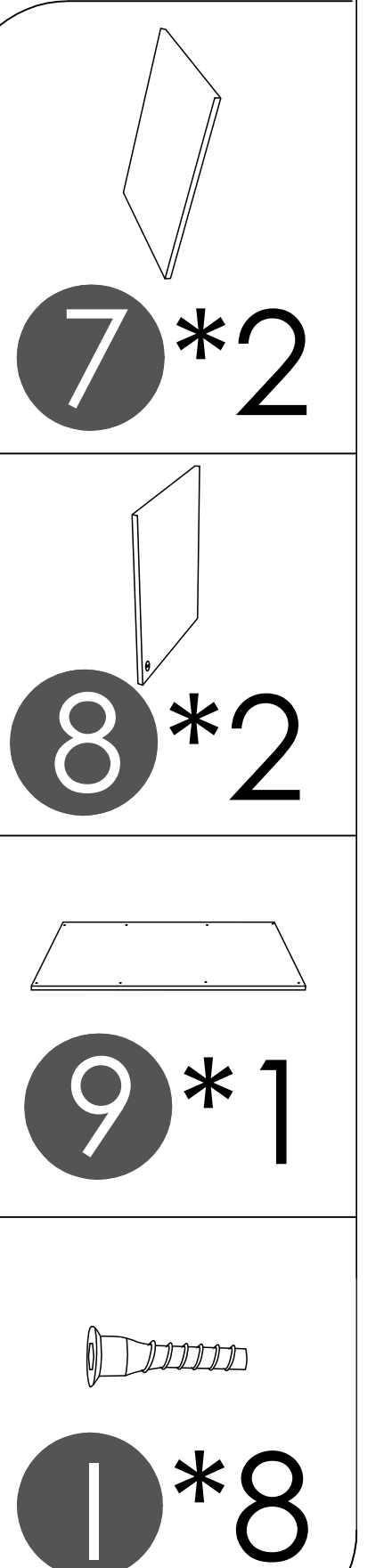
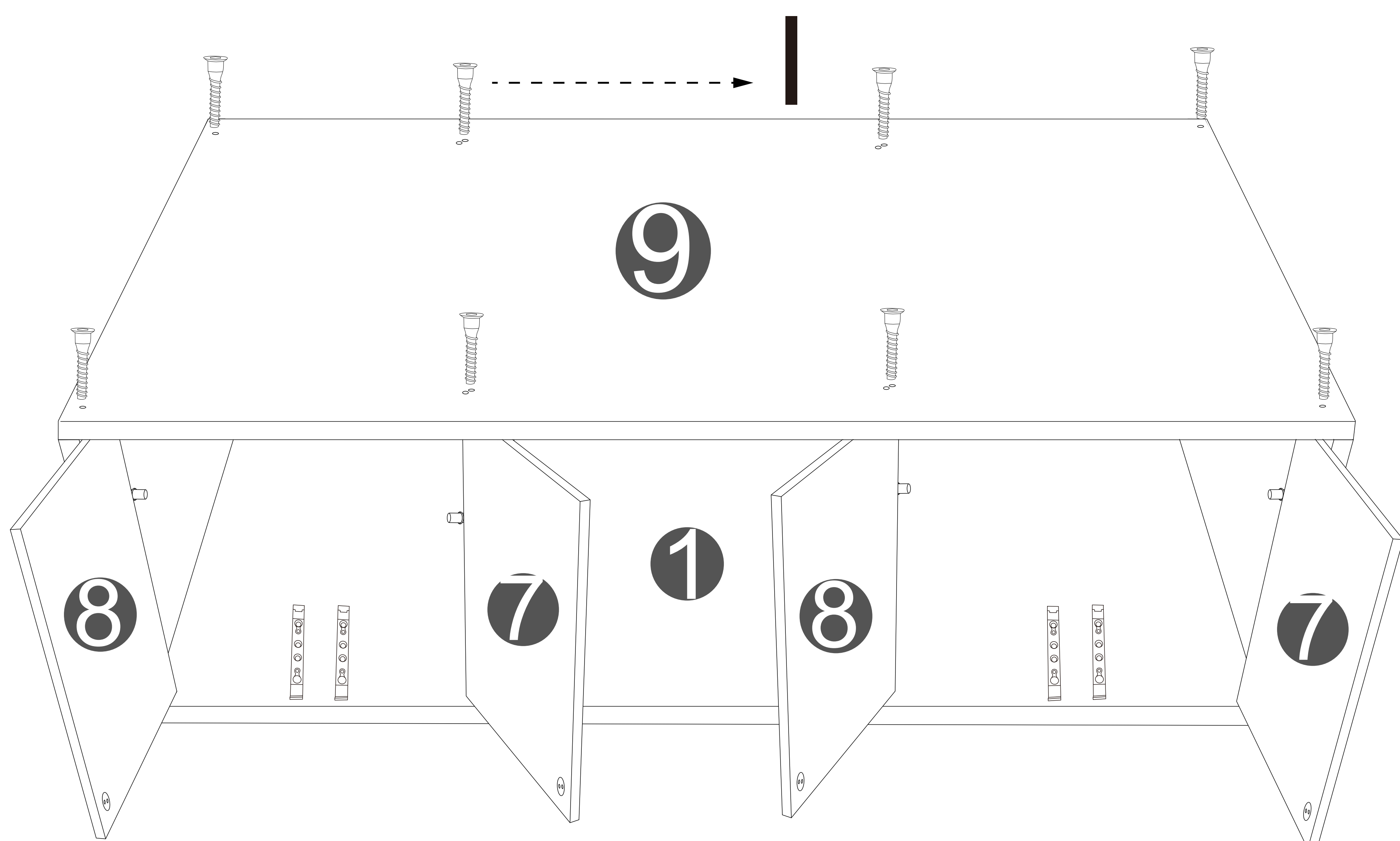
## STEP 10

Attach bottom board (9) to the standing boards using bolts (I).

The back panel is soft and flexible.

It requires manual support during installation.

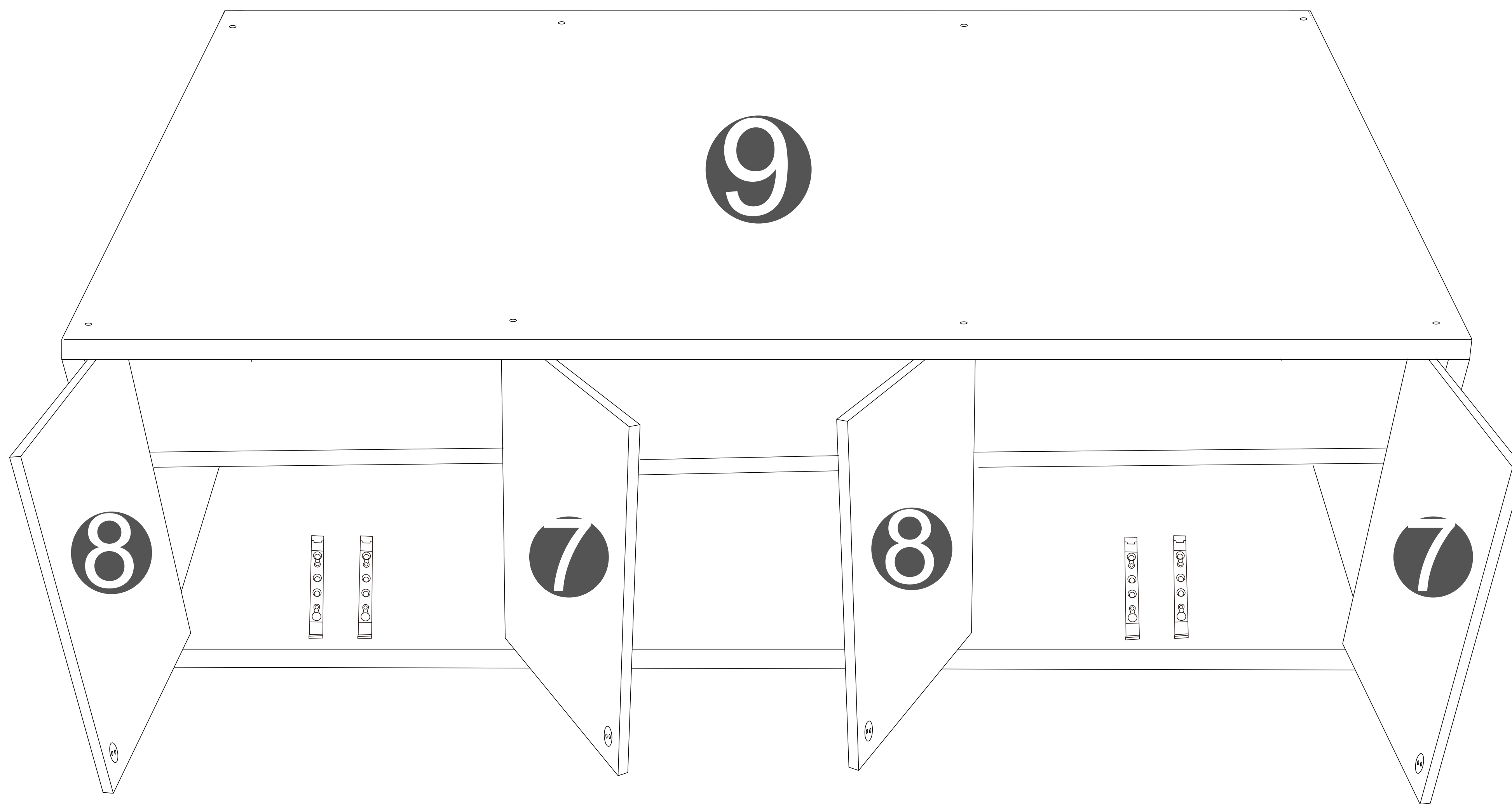
Please exercise patience while completing the installation process.



# Assembly Instruction

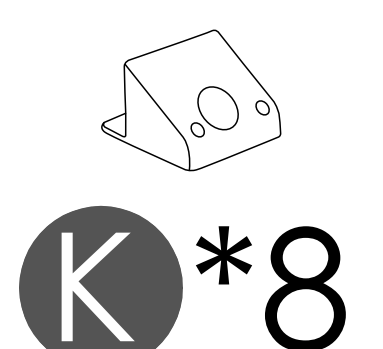
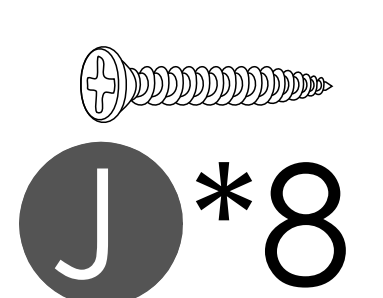
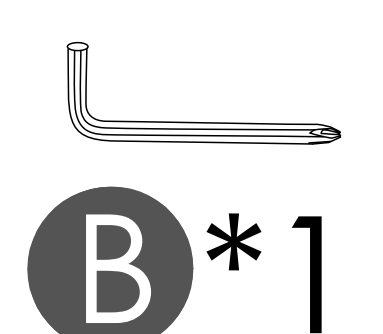
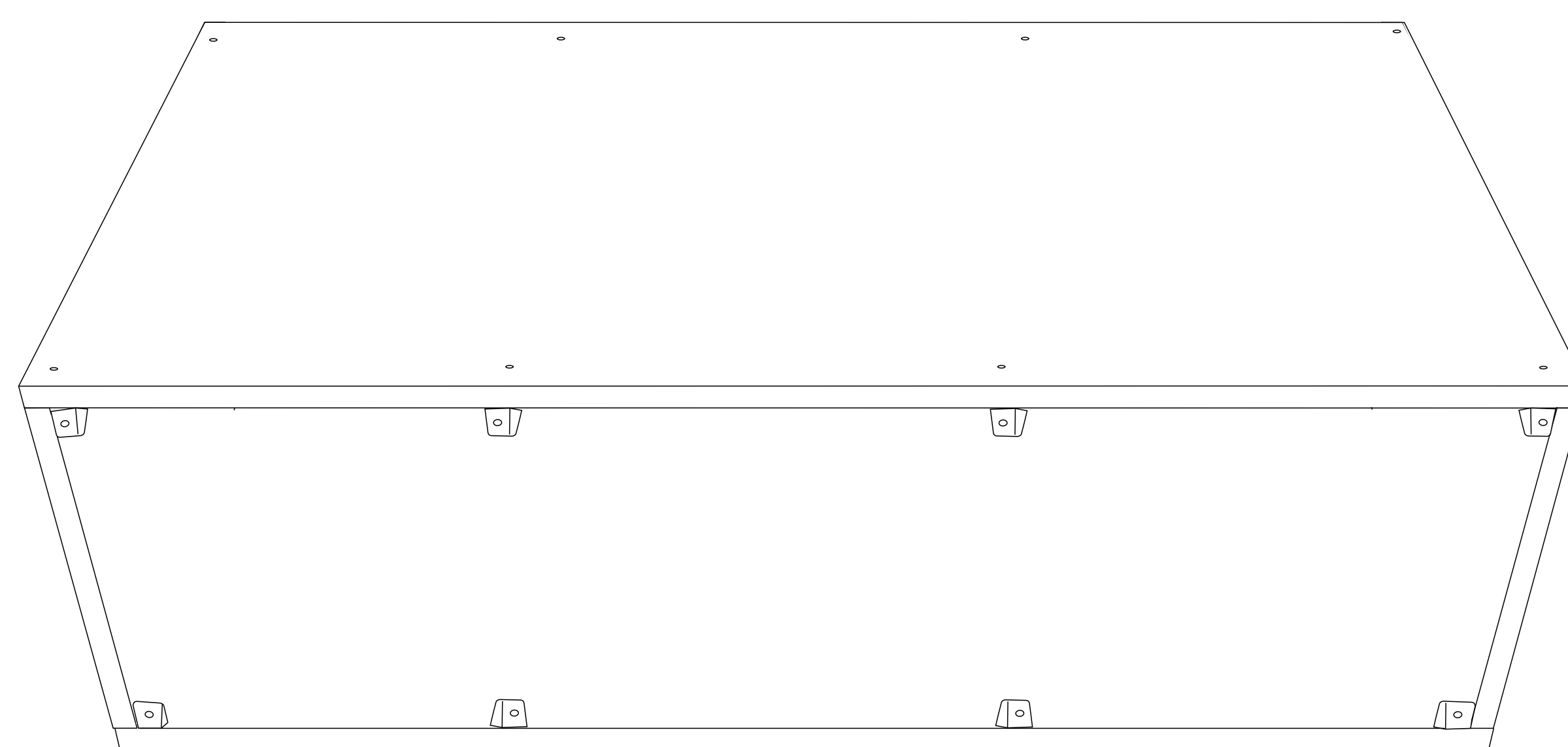
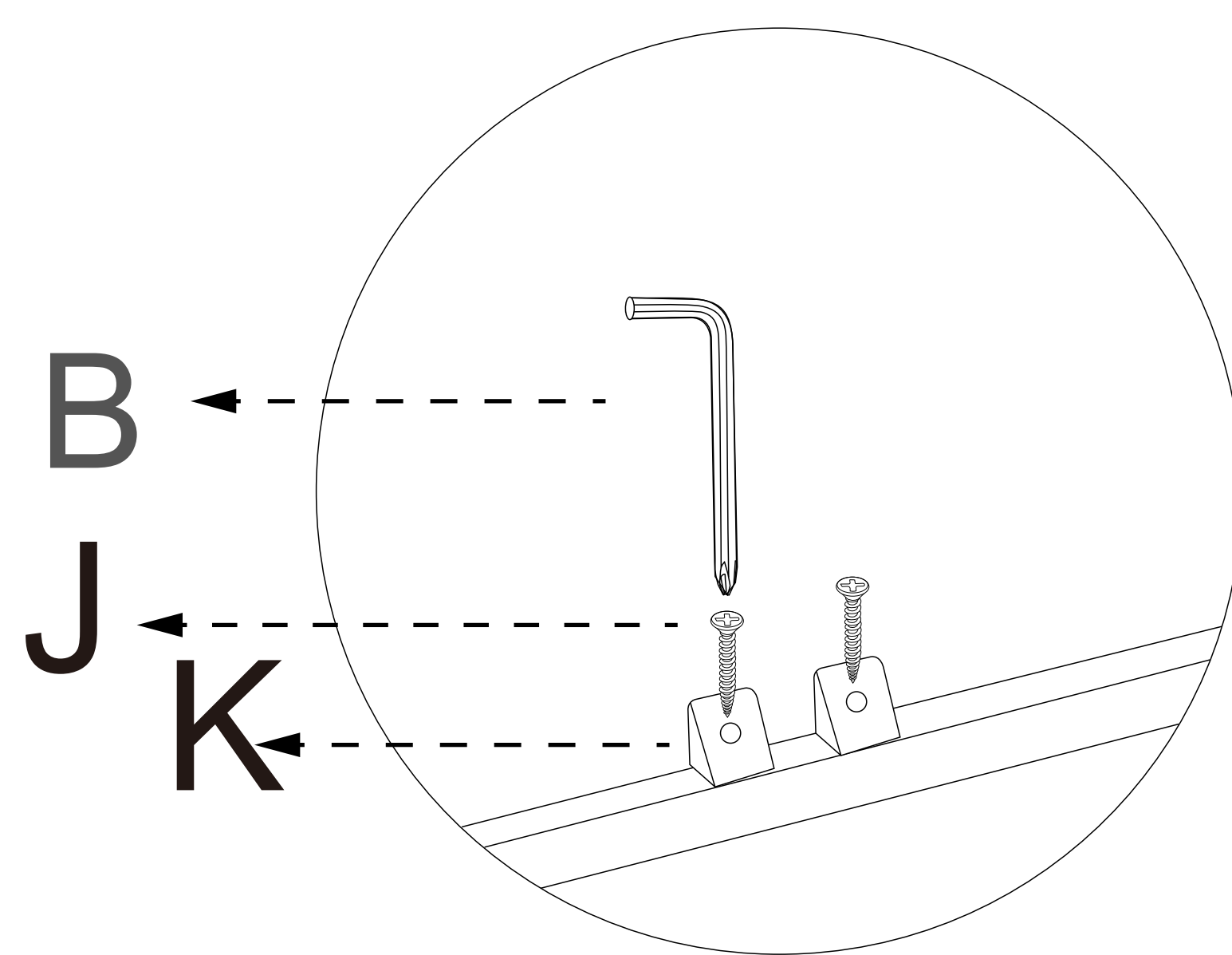
## STEP 11

Move the door boards to test if ejectors and magnetic pieces are match.



## STEP 12

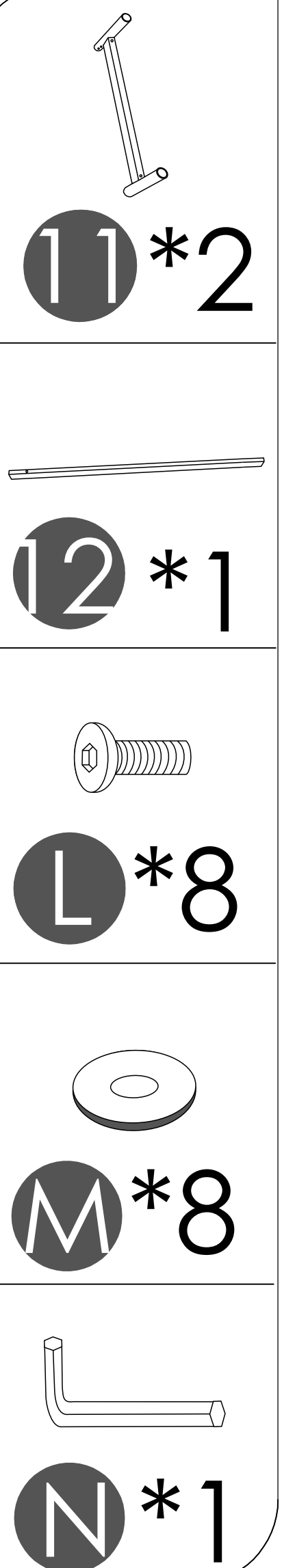
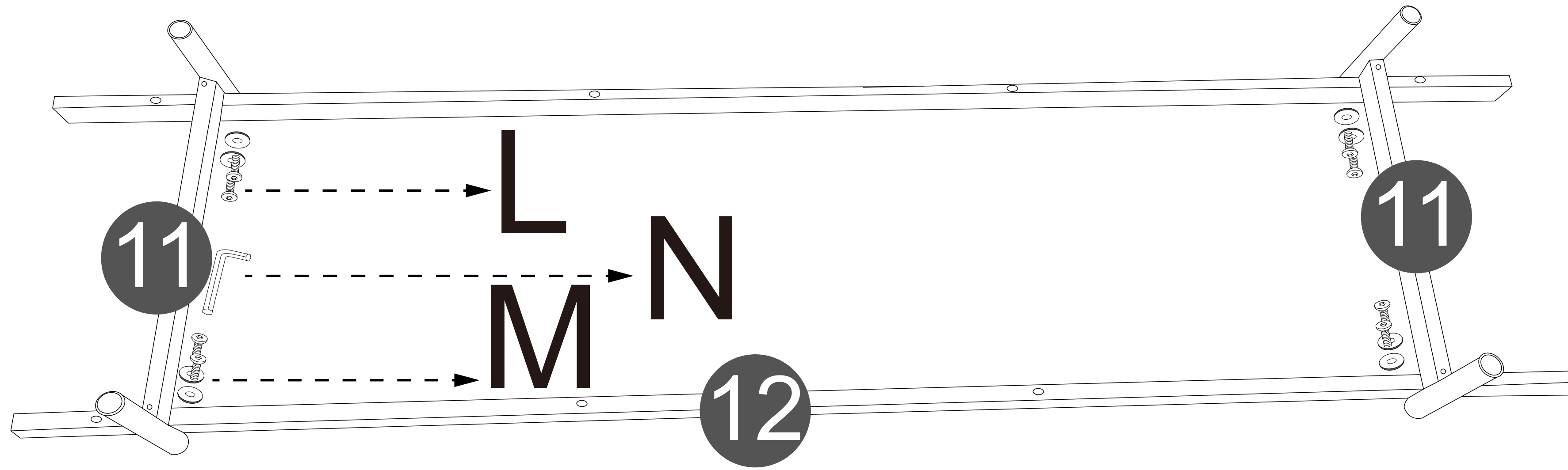
Attach stabilizers(K) to the back board using bolts(J) and Allen wrench(B).



# Assembly Instruction

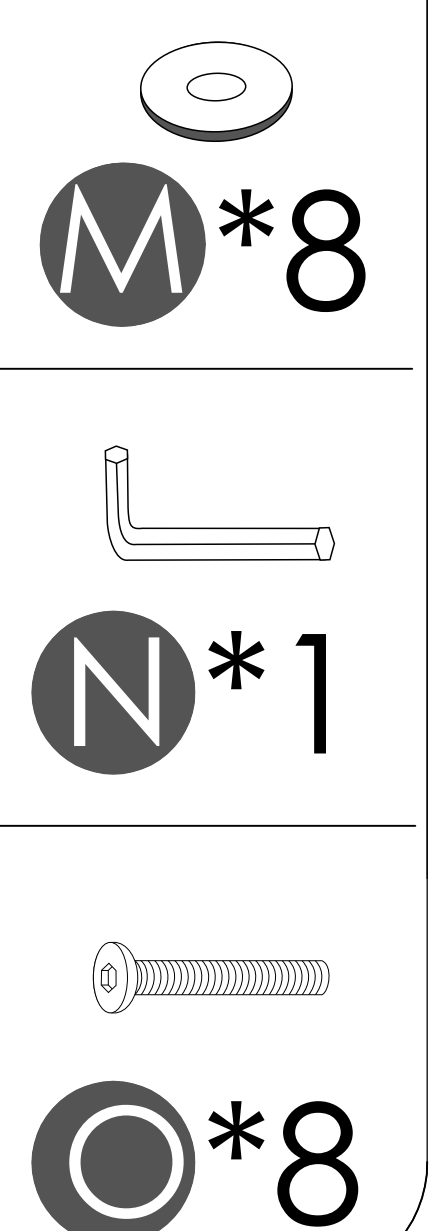
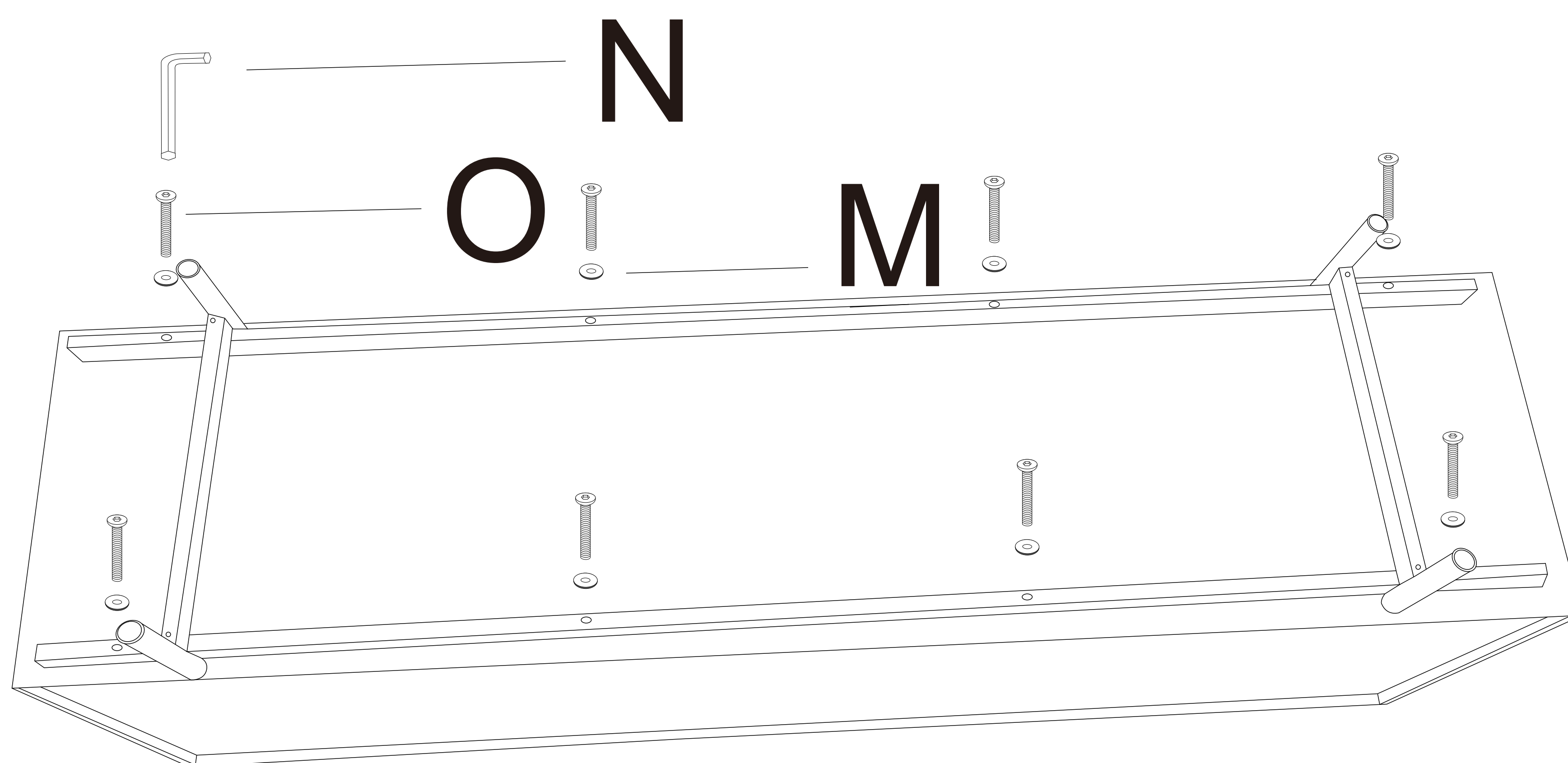
## STEP 13

Attach steel legs(11) to frames(12) using bolts(L), washers(M) and Allen wrench(N).



## STEP 14

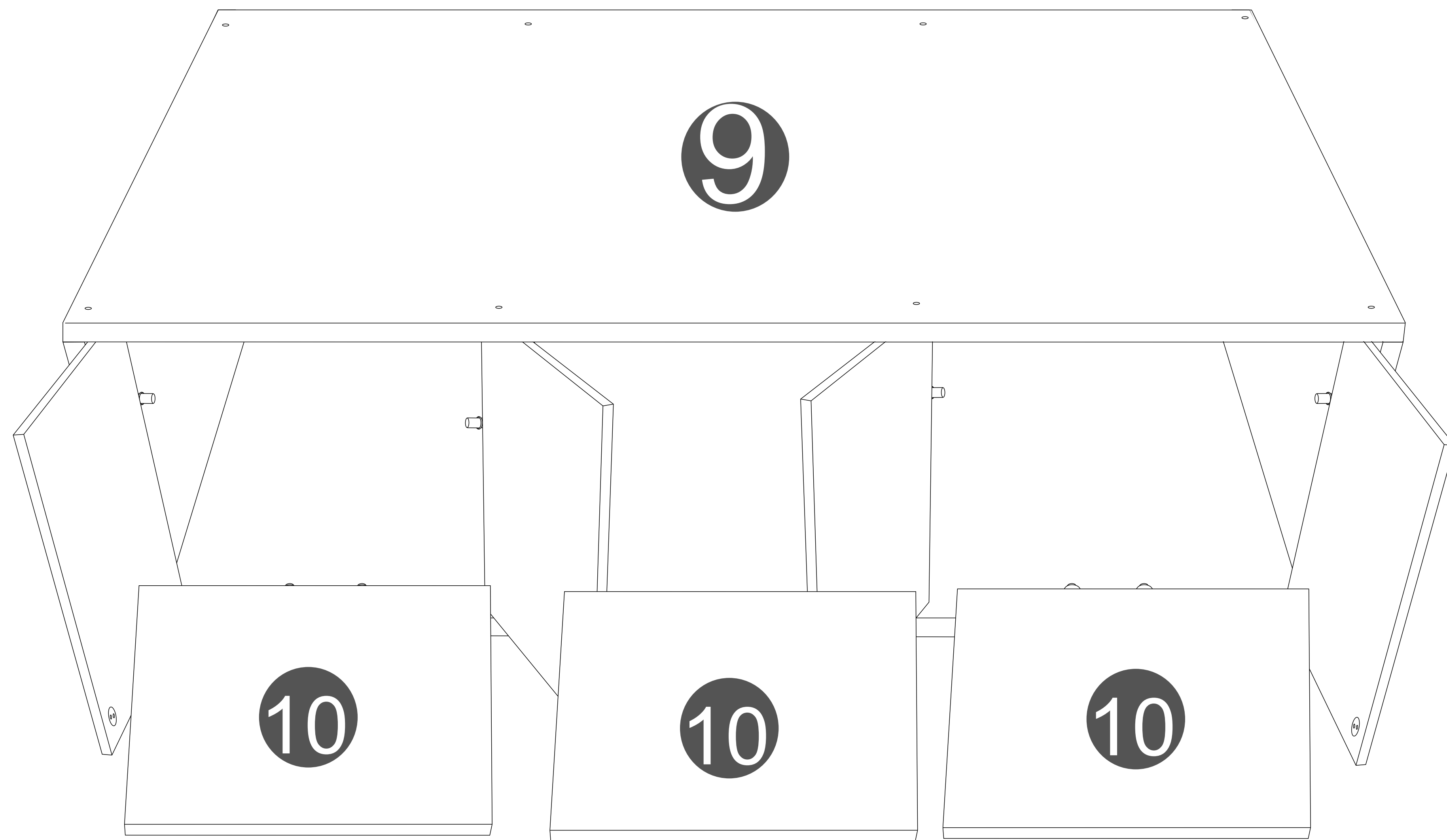
Attach leg frame to the bottom board using bolts(O), washers(M) and Allen wrench(N).

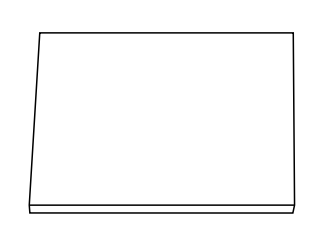


# Assembly Instruction

**STEP 15**

Put the layer boards(10) on the supports.

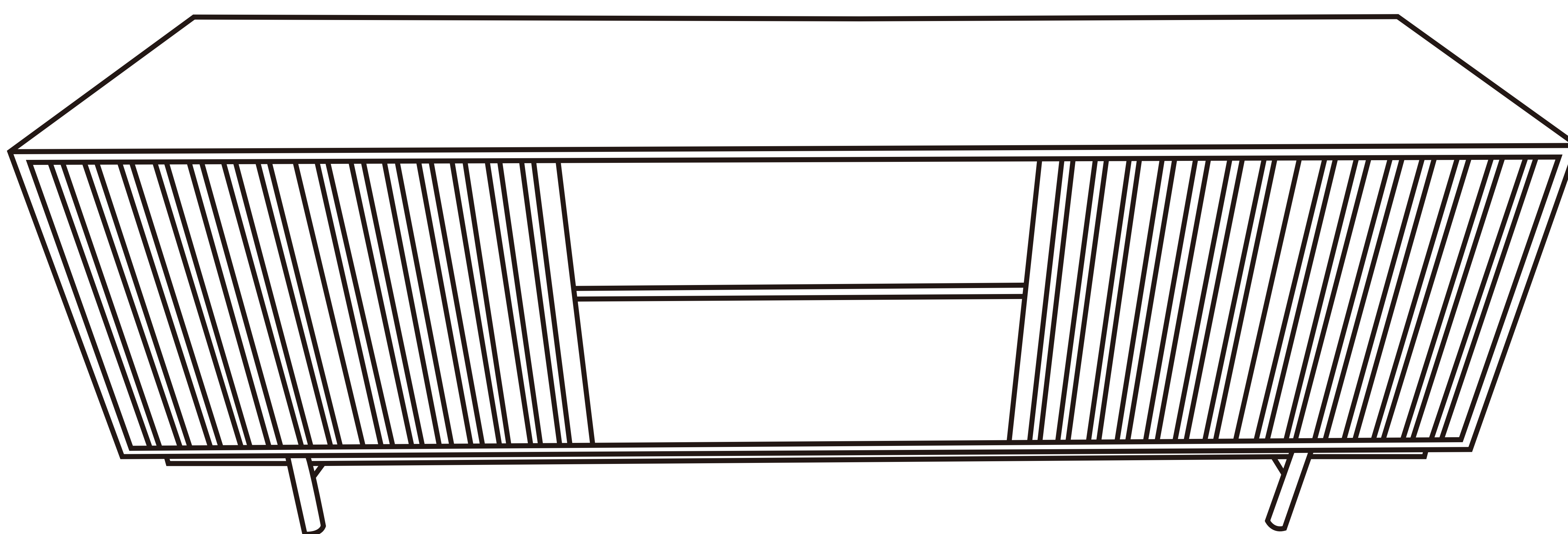


  
10\*3

# Assembly Instruction

**STEP 16**

Flip the TV stand over and the assembly is done.



DONE