



Widespread Lav. Faucet

- **Maesson Collection**
- **Widespread Lav. Faucet**
- **Three-hole installation**



STANDARD SPECIFICATIONS

- Ceramic cartridge
- Brass spout and zinc handle
- Non-metal push pop-up included
- Copper tube with 1/2" compression fitting
- Flow rate: 1.2gpm max @ 60psi
- Finishes: Polished Chrome/PVD Brushed Nickel / Matte Black / Brushed Gold

FINISHES INCLUDE

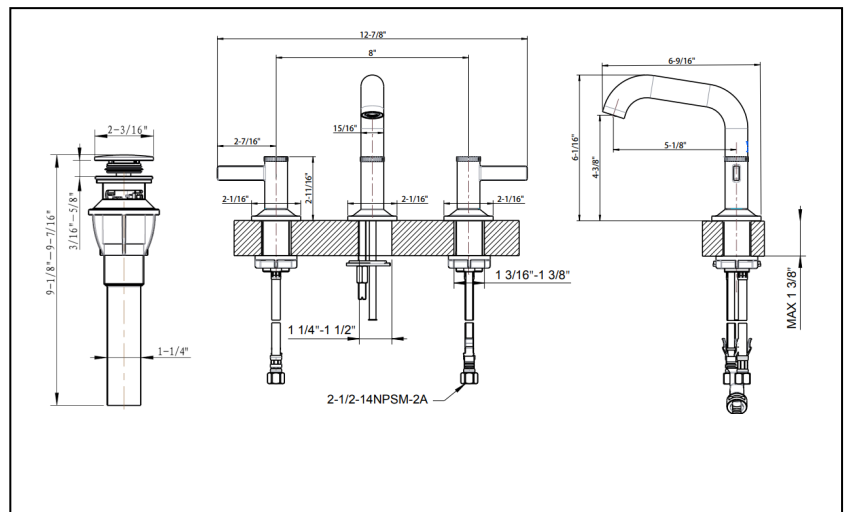
- Polished Chrome (UF54600)
- PVD Brushed Nickel (UF54603)
- Matte Black (UF54607)
- Brushed Gold (UF54608)

WARRANTY

- Limited lifetime warranty on workmanship and materials to the original purchaser

COMPLIES WITH

- NSF 61-9; Q \leq 1
- ASME A112.18.1
- CSA B125.1
- IAPMO/UPC/cUPC
- AB1953
- CEC, Watersense



tel. 888-OK-ULTRA (658-5872) • fax. 949-225-6099 • <http://www.ultrafaucets.com>

This specification is provided for reference only. Ultra Faucets reserves the right to modify specifications and materials without notice or obligation.