

Office Chair

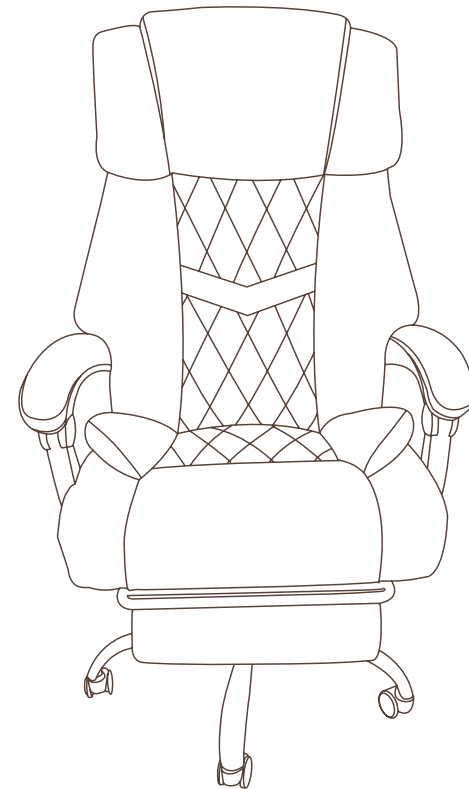
User Manual

WHO ARE WE?

Our purpose is to create a comfortable office environment.

Through our efforts, we have a strong and stable design and production team. At present, gaming chair, computer desk, bookcase and other products have become one of the hot products in the market.

Please believe that we can further improve our products and services with your accompany, so as to provide better customer experience.



Product specification

Product Name: Office chair
Size: 81*63*36.5 cm/ 31.9*24.8*14.4 inches

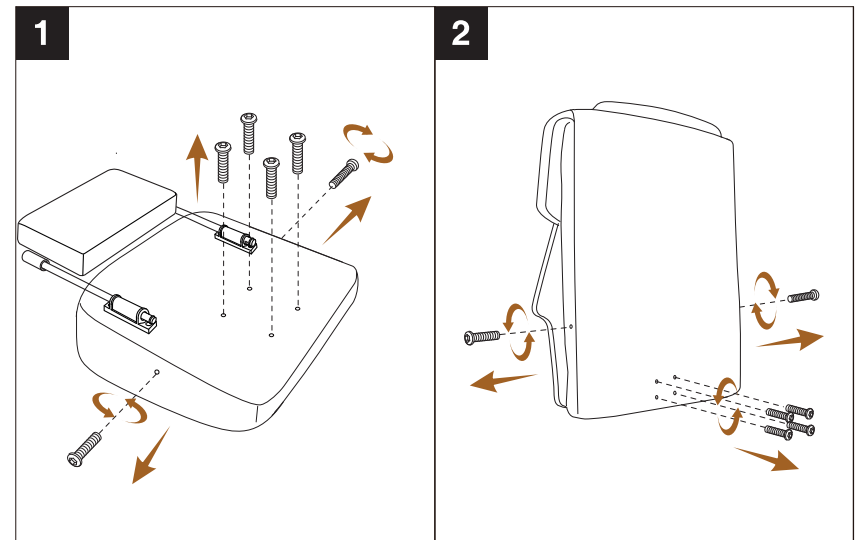
Net Weight: 22 kg/ 48.5 lbs
Gross Weight: 25 kg/ 55.1 lbs

ATTENTION

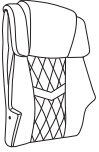

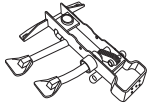

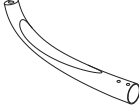

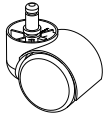









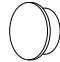
Some screws are pre-installed on the chair and are NOT included in the hardware pack.

Please check the screw number according to the instruction manual and look for it on the chair!

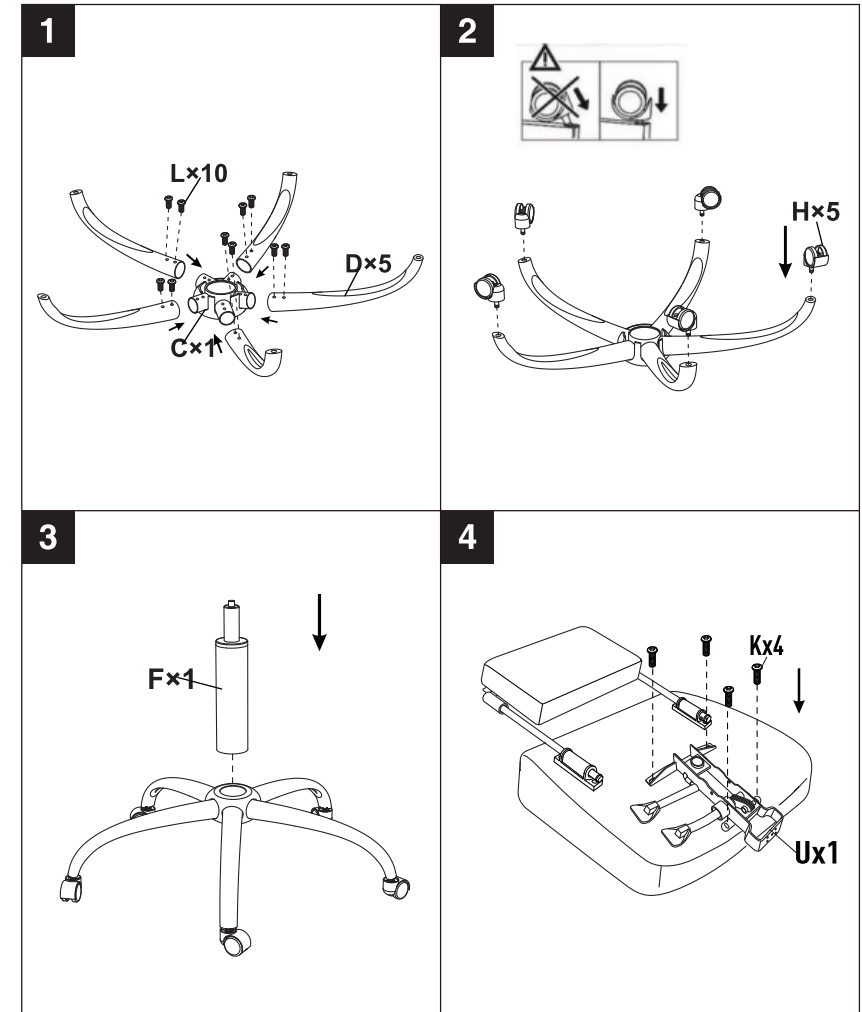
**Please remove
the pre-installed
screws before
installation**



PACKING LIST

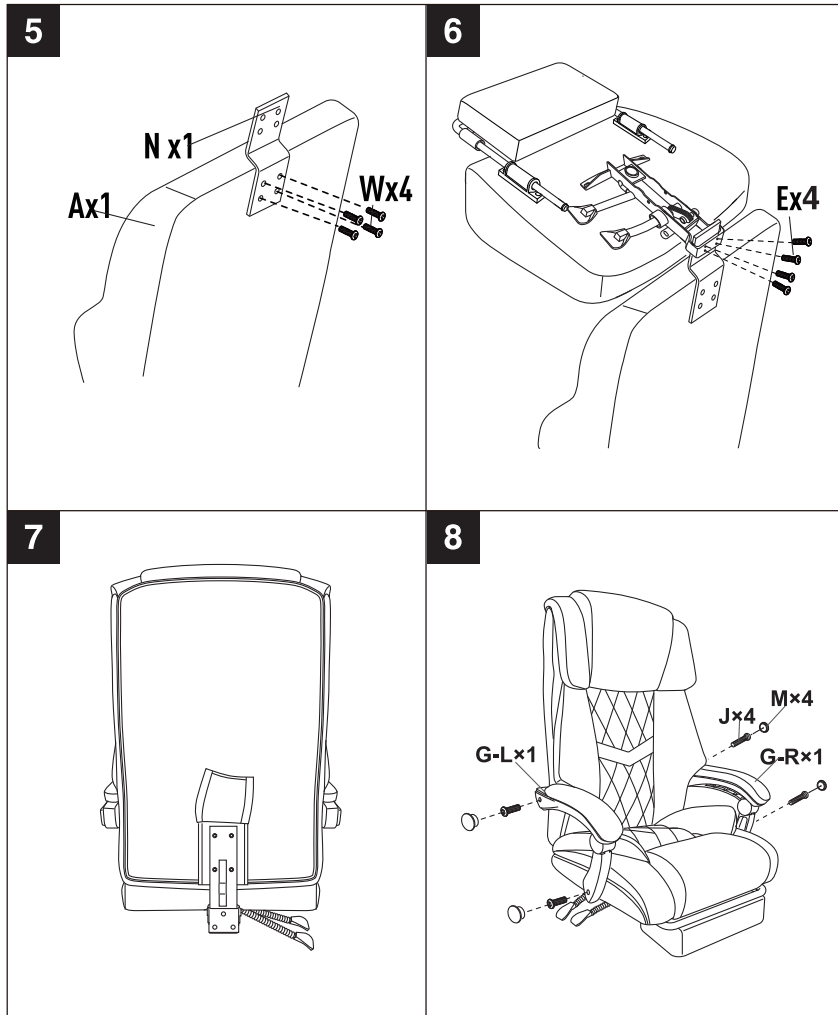
A*1 	B*1 	U*1 	C*1 	D*5 
F*1 	H*5 	G-L*1 	G-R*1 	N*1 
E*4  8*20mm	W*4  6*30mm	J*4  8*40mm	K*4  6*25mm	R*1 
L*10  6*14mm	M*4 			

INSTALLATION



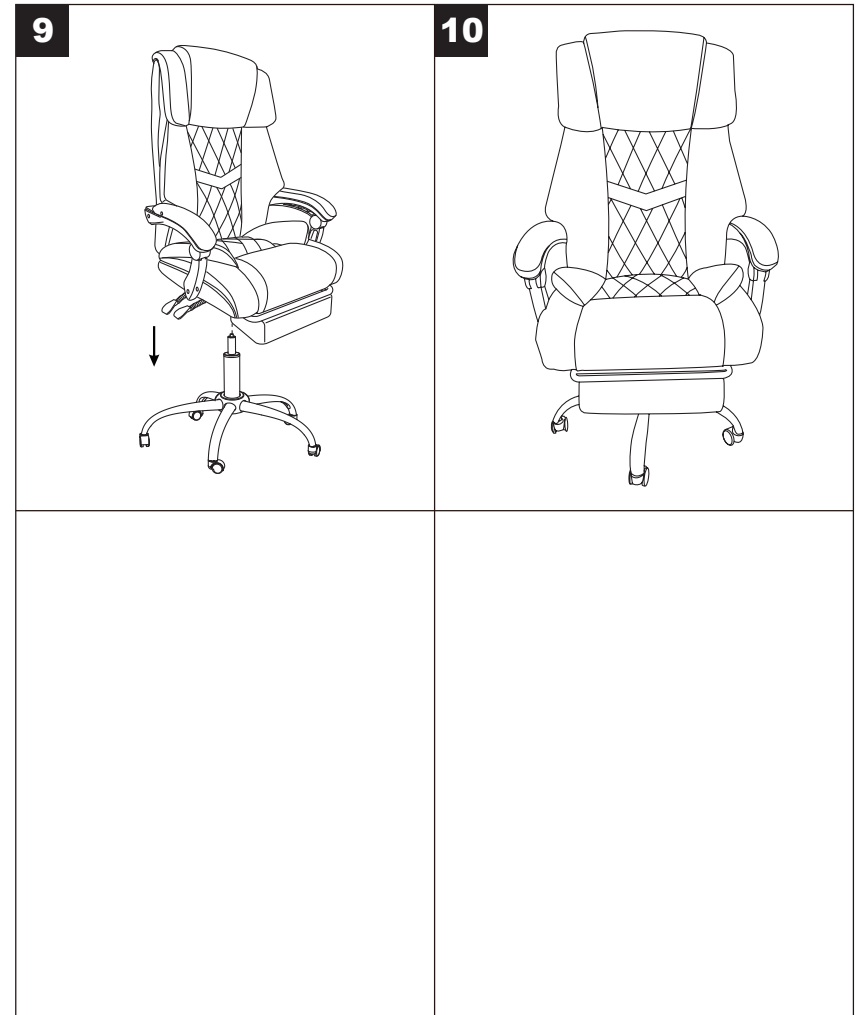
Note: All screws have been preassembled to the accessories. Please remove them from the accessories before assembling.

INSTALLATION



Note: All screws have been preassembled to the accessories. Please remove them from the accessories before assembling.

INSTALLATION



Note: All screws have been preassembled to the accessories. Please remove them from the accessories before assembling.

TROUBLESHOOTING

Fault conditions	Possible causes	Exclusion method
The product is shaking and unstable	<ol style="list-style-type: none"> 1. Wrong screw installation 2. The screw is broken 3. Check that the screws are not tightened in place 	<ol style="list-style-type: none"> 1. According to the instruction manual, install the correct screw in the correct position 2. To replace, use the included spare screws 3. Tighten the loose screws
The light strip is off	<ol style="list-style-type: none"> 1. Not plugged in 2. The lighting pattern is not saved correctly 	<ol style="list-style-type: none"> 1. Confirm that the product is powered on normally 2. Please read the instructions of the remote control carefully (page 6), and follow the operation
Audio doesn't work	<ol style="list-style-type: none"> 1. Bluetooth connection failed 2. Bluetooth connection error 	<ol style="list-style-type: none"> 1. Turn on your phone's bluetooth to connect 2. Turn off the phone's Bluetooth and reconnect (Bluetooth name: HuaBox)
Remote control not working	<ol style="list-style-type: none"> 1. The remote control gasket is not pulled out and cannot work 2. The battery is in poor contact or the battery is installed backwards 3. The battery is dead 	<ol style="list-style-type: none"> 1. Check whether the remote control gasket is pulled out 2. Check whether the battery is installed incorrectly and adjust 3. Replace the new battery to make the remote control work normally