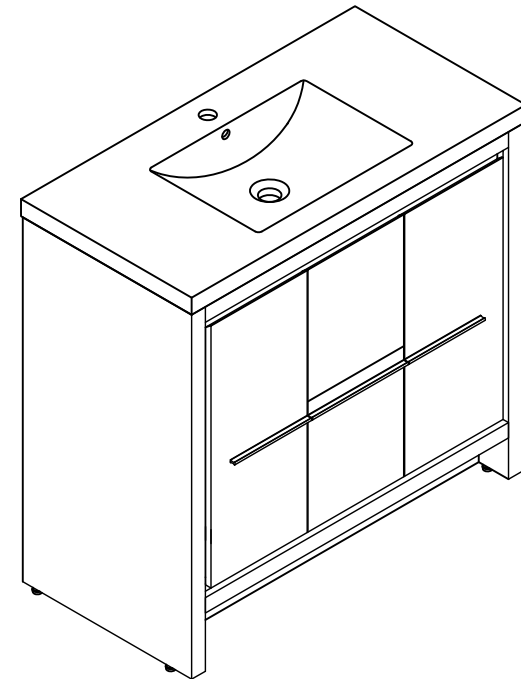


THANKS FOR WATCHING

Your feedback is invaluable to us and we would love to hear about your experience. Please take the time to leave us a review.






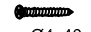
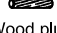
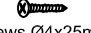


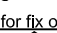
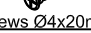
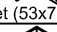
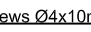
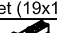
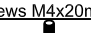
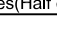


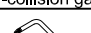
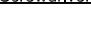


Thank you for shopping with us!

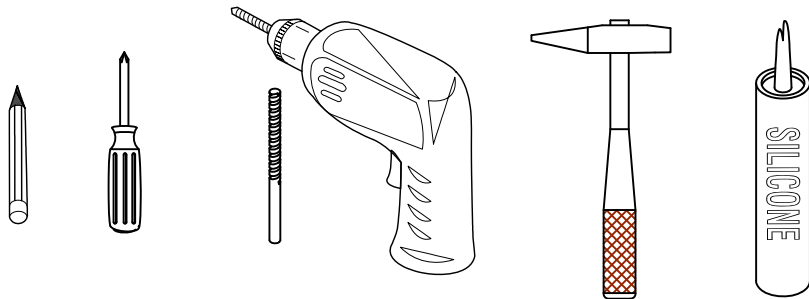
We encourage you to take a few minutes to go through this booklet. It contains important information on installation and care tips to keep your furniture looking as good as new.

Item NO.:BV B12736

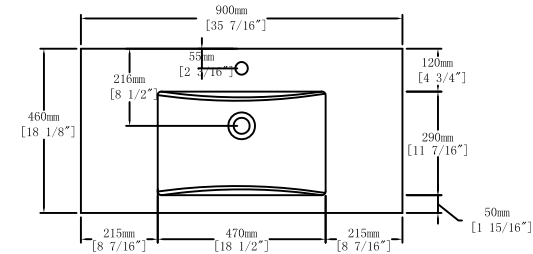
Hardware

NO.	Draw	QTY	NO.	Draw	QTY
A	 Screws Ø4x14mm	72	K	 Handle(L255mm)	1
B	 Two-in-one connector	62	L	 Handle(L200mm)	2
C	 Two-in-one connector	62	M	 Screws Ø4x40mm	3
D	 Wood plug	12	N	 Screws Ø4x25mm	6
E	 Plastic anchor(Ø10mm)	2	O	 U-Shaped plastic	1
F	 Screws for fix on the wall	2	P	 Screws Ø4x20mm	4
G	 Bracket (53x70x44mm)	2	Q	 Screws Ø4x10mm	7
H	 Bracket (19x19x35mm)	2	R	 Screws M4x20mm	6
I	 Hinges(Half cover)	4	S	 Adjustable feet	4
J	 Track	2	T	 Anti-collision gasket	12
			U	 Screwdriver	1

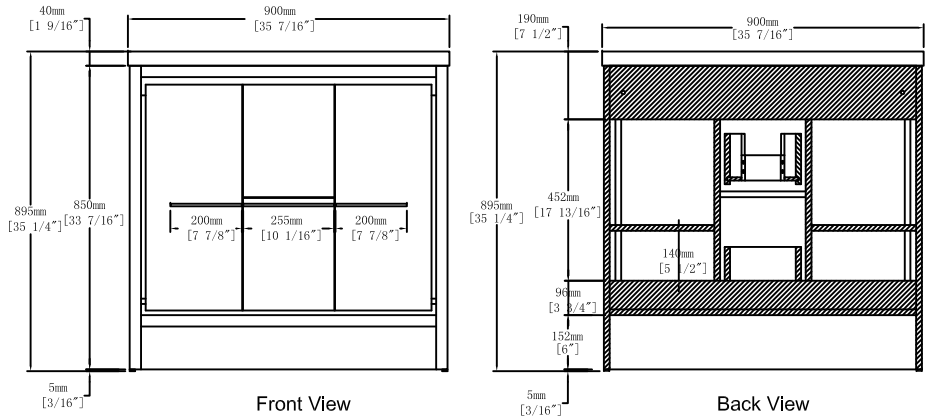
Recommended tools



Dimensions



Top View

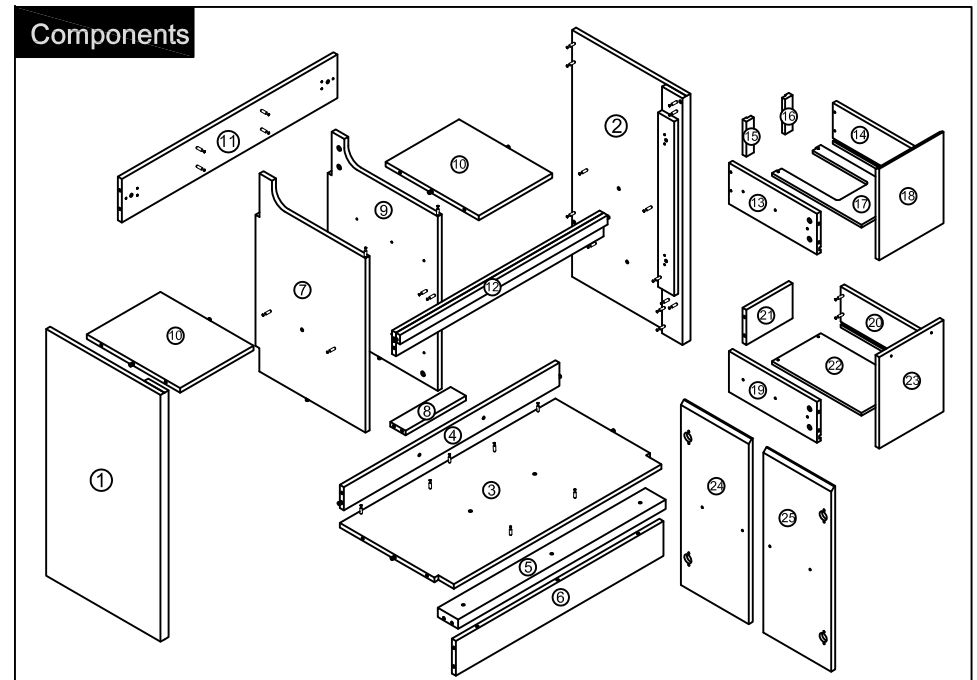
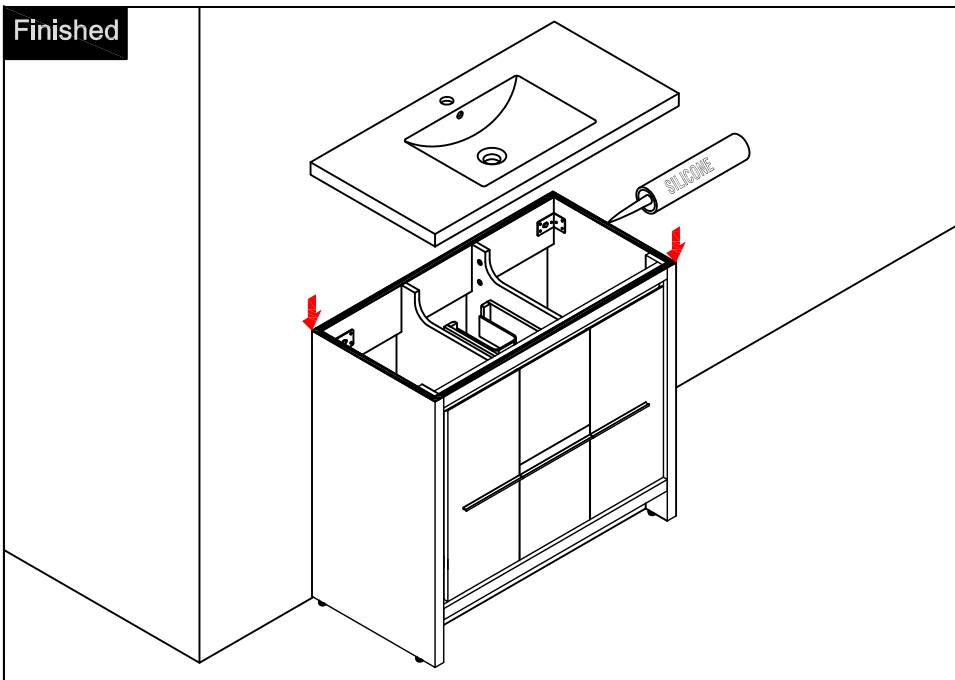
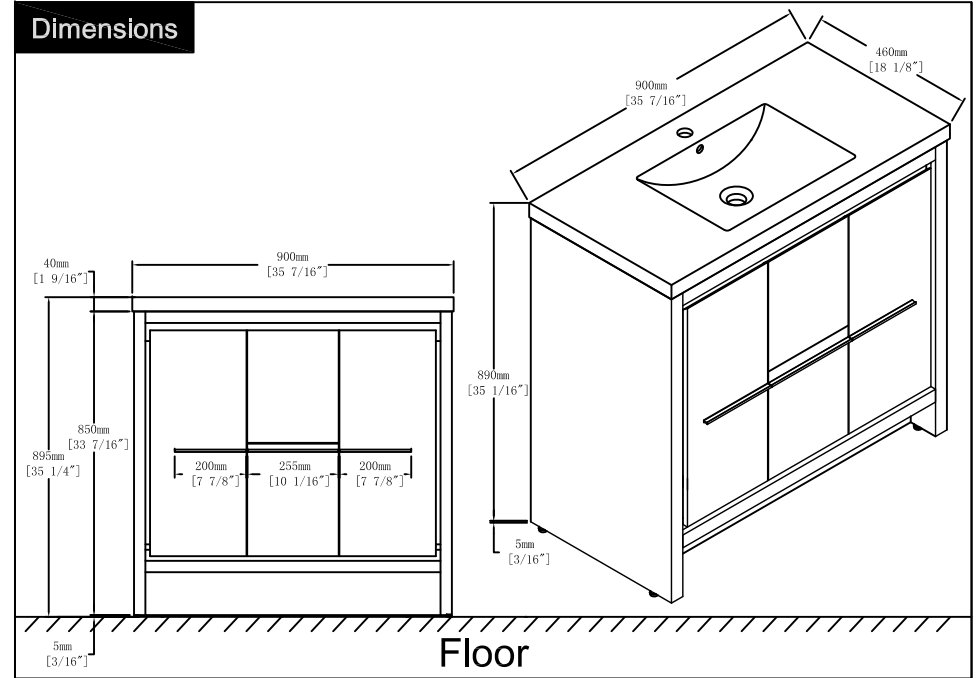
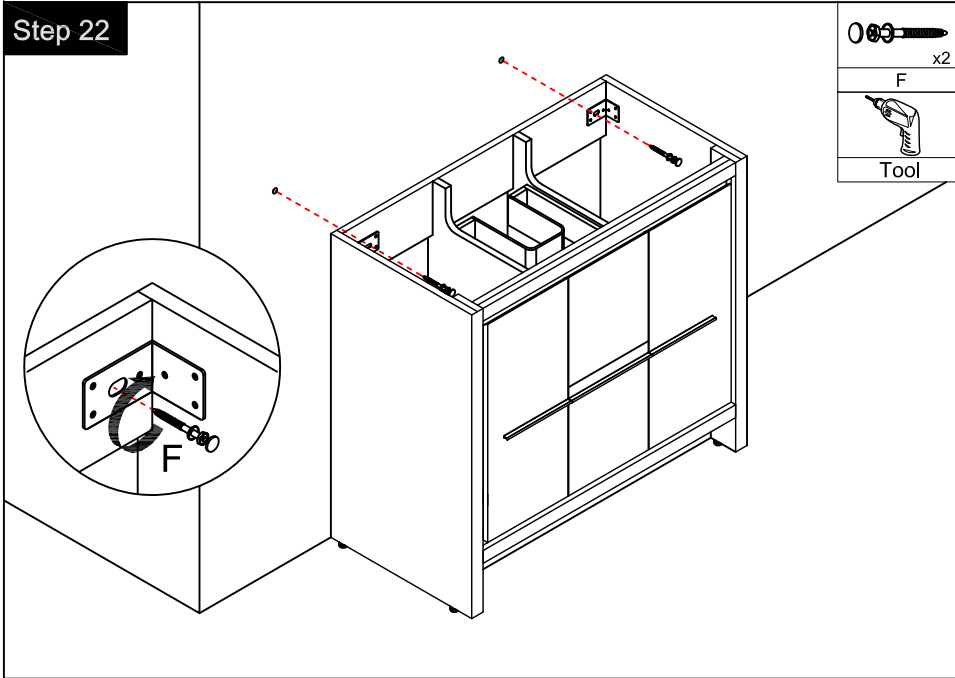


Front View

Back View

CARE CLEANING AND MAINTENANCE

1. Dust regularly with a soft , dry cloth.
2. Avoid the use of all chemicals household cleaners, abrasives, or cleaners that contain lemon, vinegar, or other acids that may damage the finish.
3. Excessive exposure to sunlight and extreme changes in temperature and moisture can damage wood furniture.
4. The sink is fragile, please pay attention to maintaining its appearance.
5. Do not place hot appliances, such as curling irons and hot hair dryers directly on the countertop. Wipe spills immediately.



Step 1

Attention: Cam lock arrow point to the steel rod.

Notes: Screw installation depth as shown

	x3
B	
	x3
C	
U	

Step 2

first step second step third step

	x3
B	
	x3
C	
U	

Step 19

Attention: Cam lock arrow point to the steel rod.

	x2
L (L200mm)	
	x4
R	
	x4
T	
	Tool

Step 20

Step 21

	x2
E	
	Tool

Step 17

Notes: Pull out the tracks on the cabinet body and push them into the upper and lower drawers as shown in the diagram. The drawer tracks are interlocked with the cabinet body tracks.

Step 3

Note: The D parts are used for these two holes

	x8
B	
	x8
C	
	x2
D	
U	

Step 18

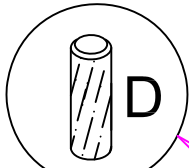
	x4
I	
(Ø4 x 14mm)	
	x24
A	
Tool	

You can adjust the doors by tightening or loosening the screws on the hinge. →

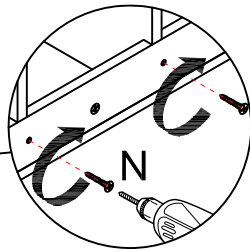
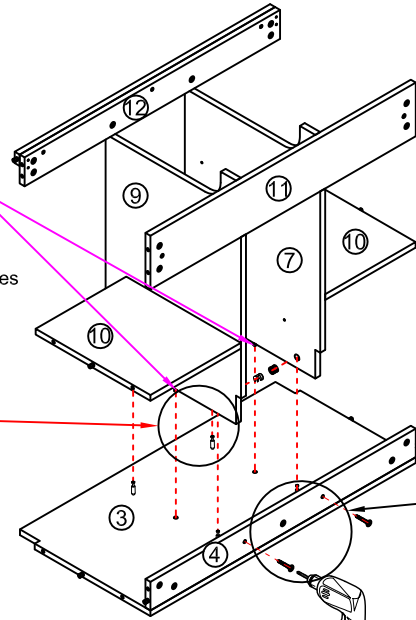
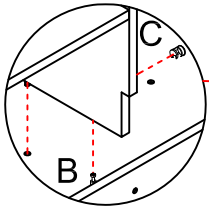
Step 4

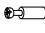



	x6
B	
	x6
C	
U	

Step 5

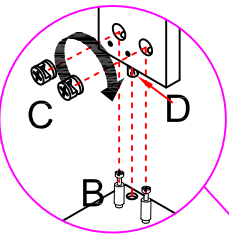


Note: The D parts are used for these two holes

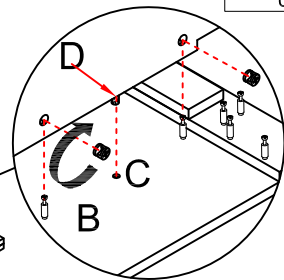
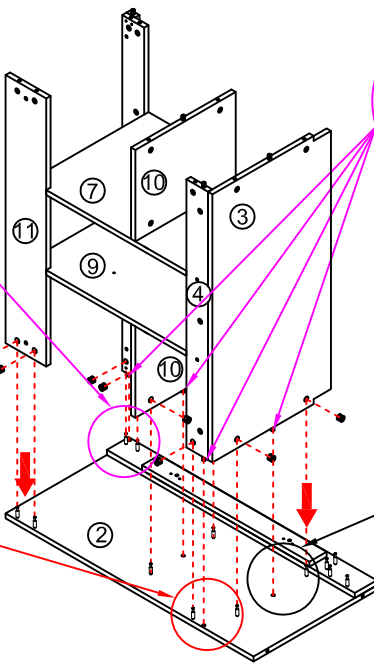
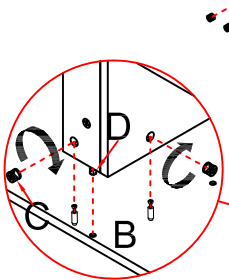


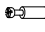



Tool		x4
		x4
		x2
		x2
		(∅4 x 25mm)

Step 6

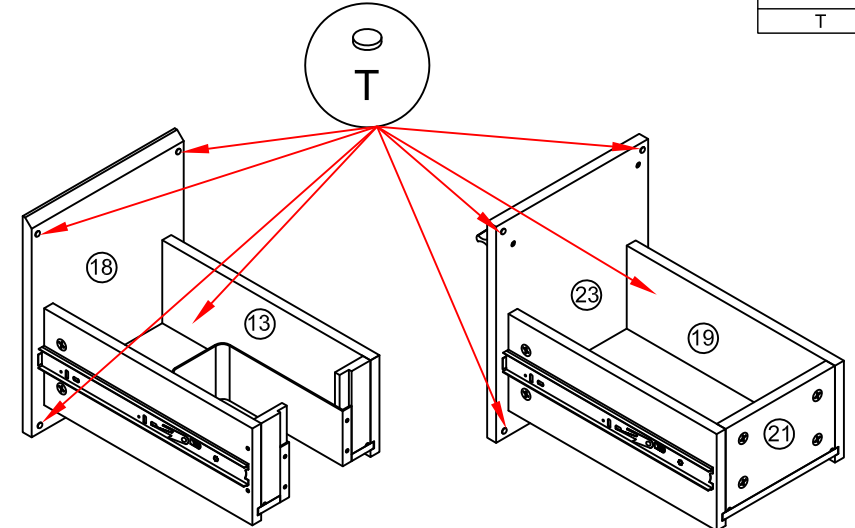


Note: The D parts are used for these four holes



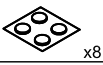
	x9
	x9
	x4
	

Step 15

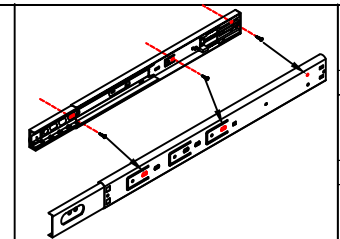
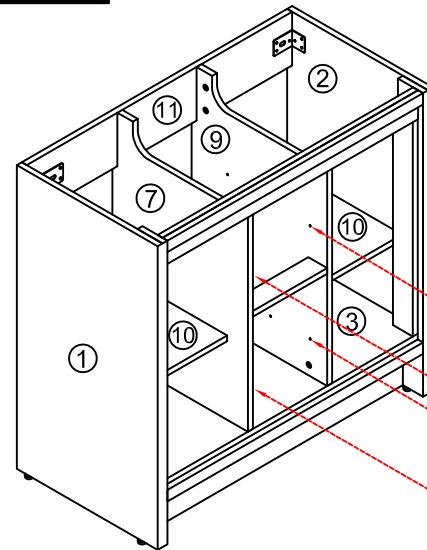


Upper drawer




Down drawer

	x8
---	----

Step 16

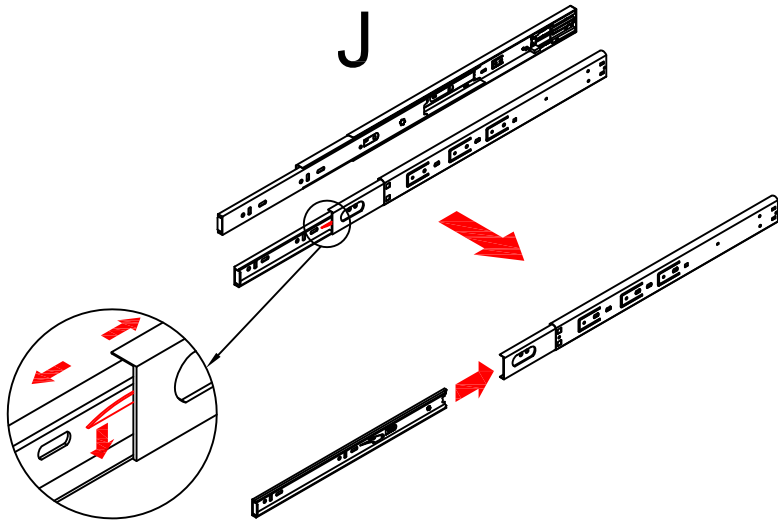


Notes: Tighten the self working screw according to the hole position shown in the diagram.

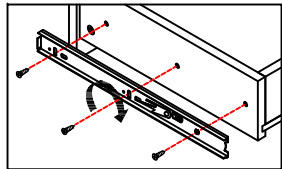
	x2
	x12
	Tool

Step 13

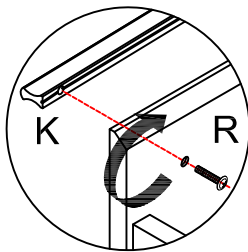
Notes: Disassemble the three fold side mounted buffer rail as shown in the following diagram.



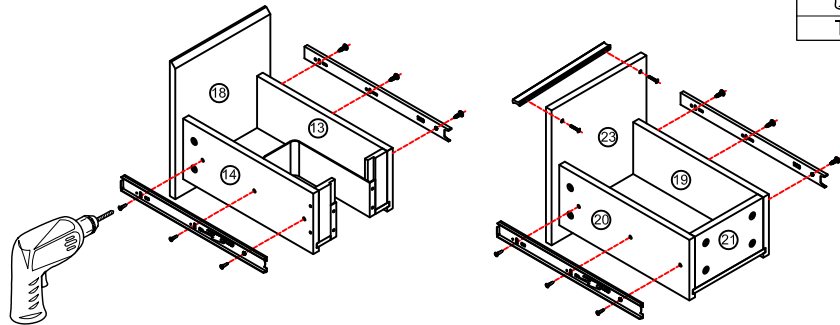
Step 14



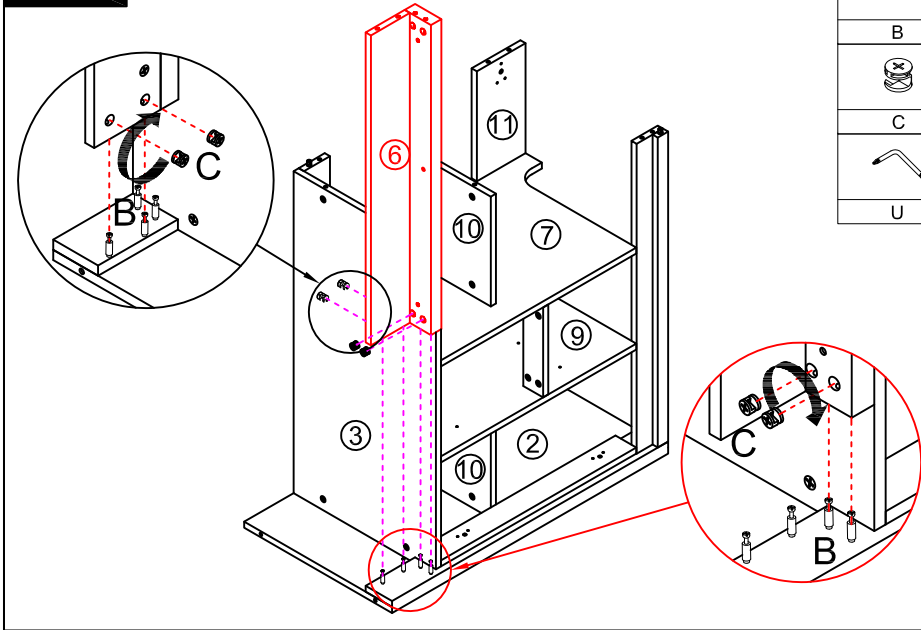
Notes: Install the dismantled side mounted rail as shown in the diagram.



(M4 x 20mm)		x2
R		x2
	(Ø4 x 14mm)	
		x12
	A	(L255mm)
		x1
		Tool



Step 7



Step 8

