

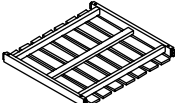
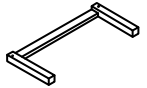



## CARE AND MAINTENANCE

Store outdoor furniture indoors or cover well when it is not in use. Dust regularly with small brush or vacuum. Spills should be taken care of immediately before they harden or stain with a slightly dampened sponge.

## NOTICE

Please make sure that you have all parts indicated before you begin assembly of this item.

### Part List and Hardware List

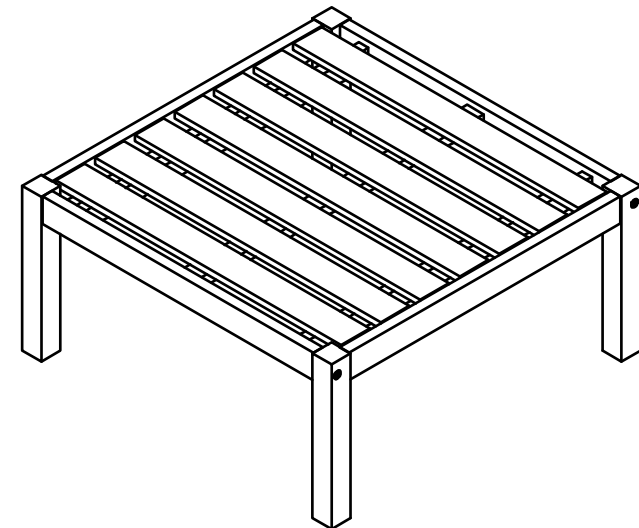
PIECE	DESCRIPTION	PICTURE	QUANTITY
A	Top		1x
B	Leg		2x
C	Allen nut	 M6x70	4x
D	Extra bolt	 M6x50	1x
E	Allen Key		1x

Product Dimension: 25.59"W x 25.59"D x 11.81"H

Weight capacity : 200 lbs

Warning : Do not stand on the chair

Warning : Do not torque bolts / screws



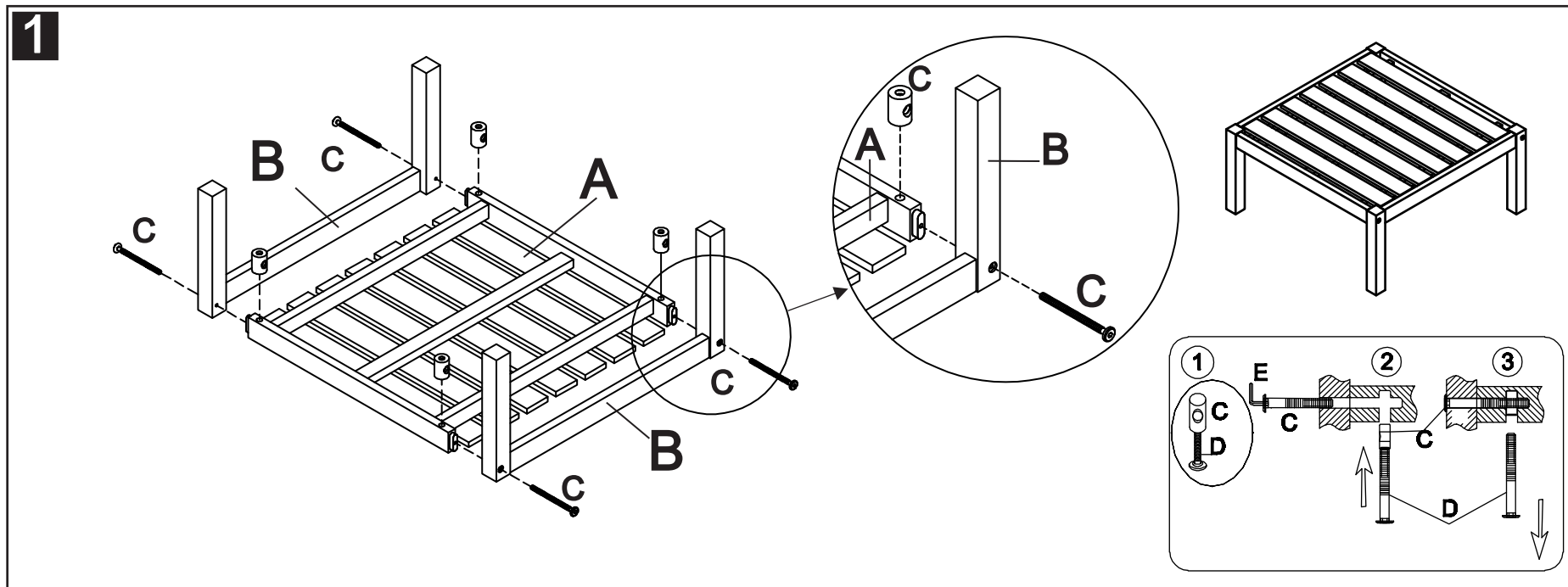
# PREPARATION

Before beginning the assembly of the product, make sure all parts are present.

Compare the parts with the package contents list and hardware contents list.

If any parts are missing or damaged, do not attempt to assemble the product.

Tool required for assembly (included): Allen Key.



Step 1: attach the legs (B) to the seat (A) by using the Allen bolt (C) and tighten it with the Allen key (E) as shown on the picture.