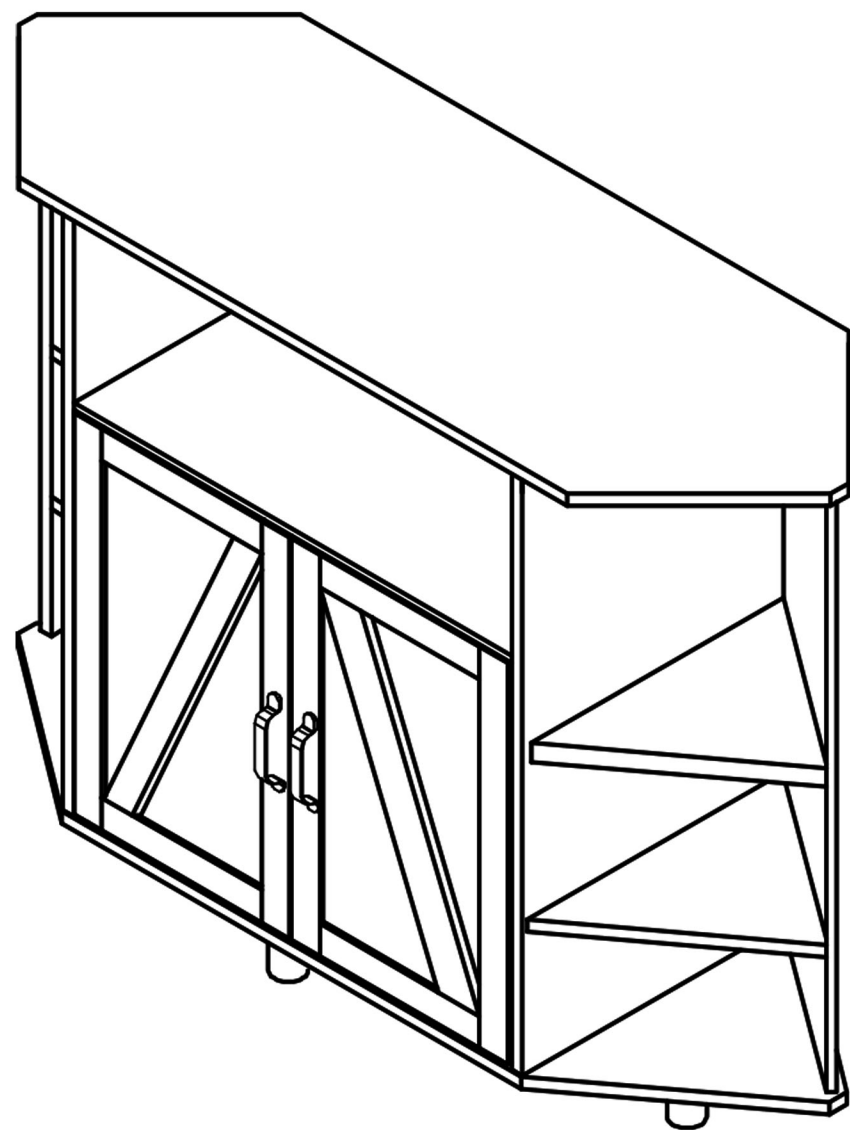
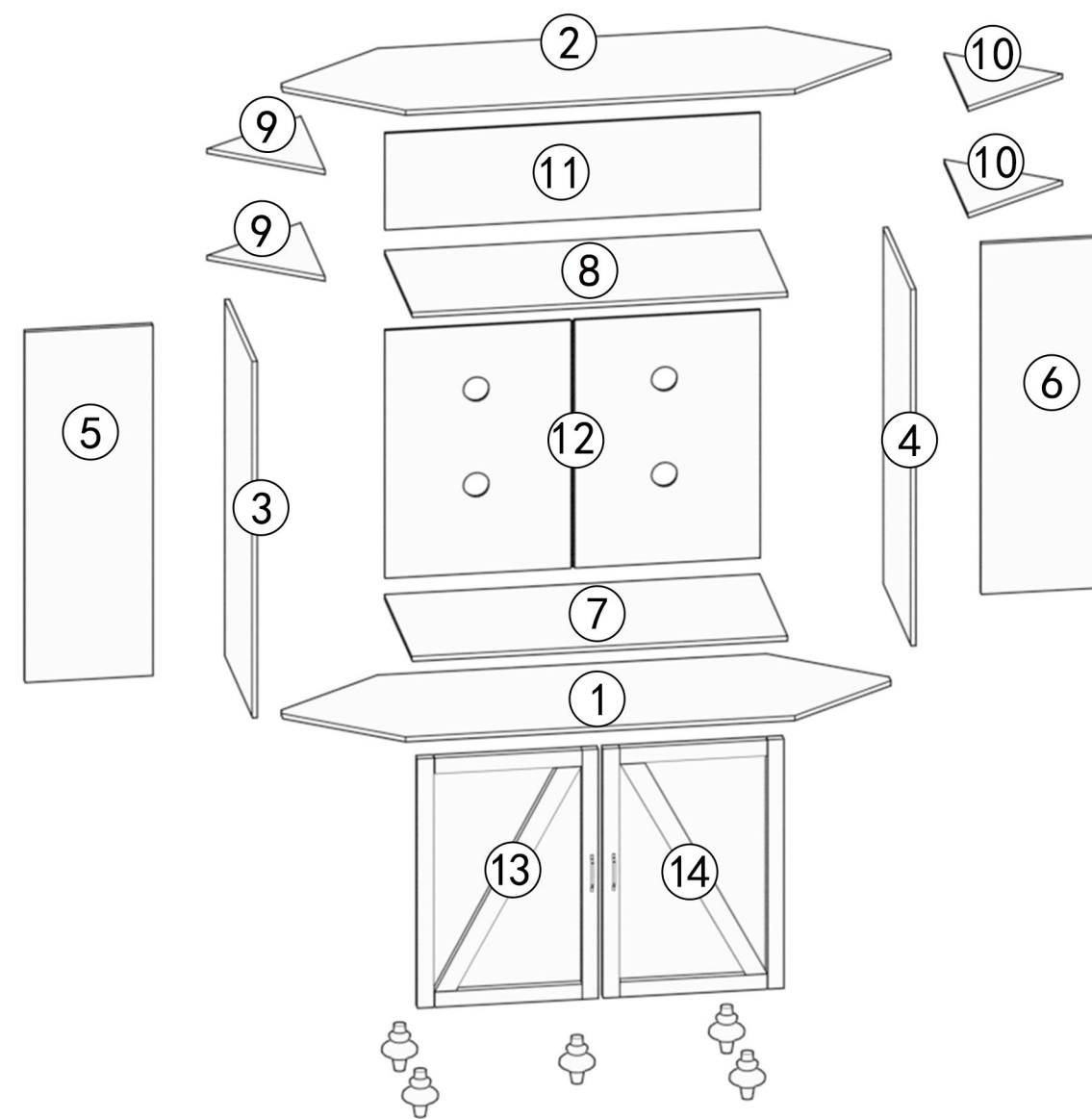


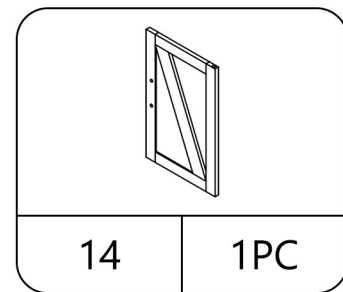
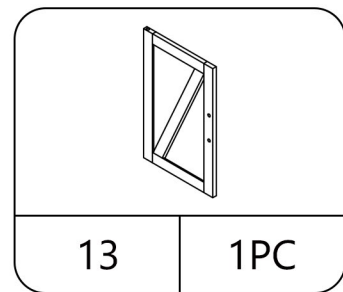
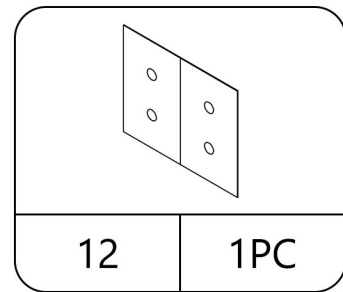
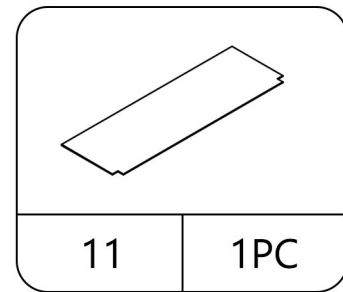
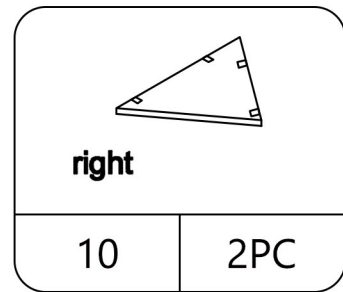
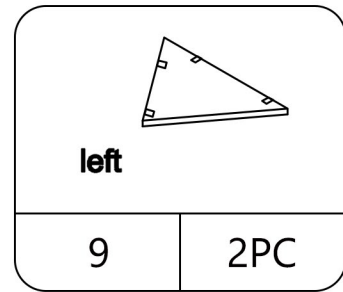
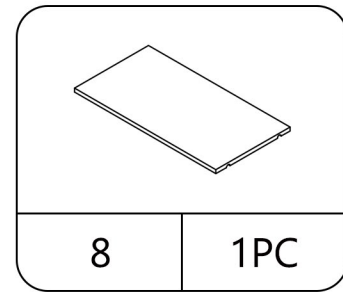
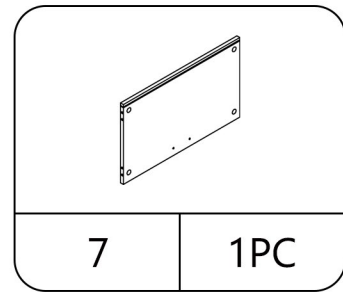
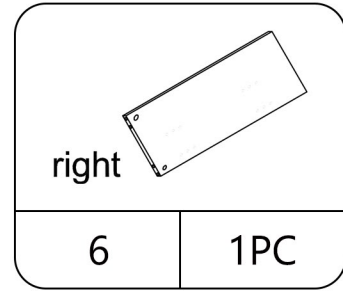
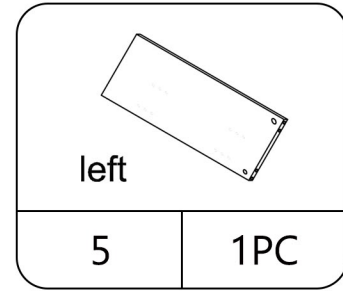
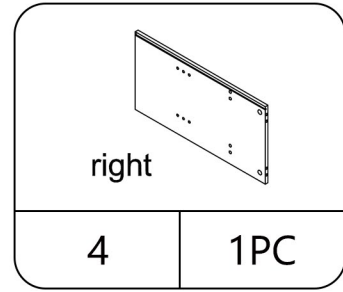
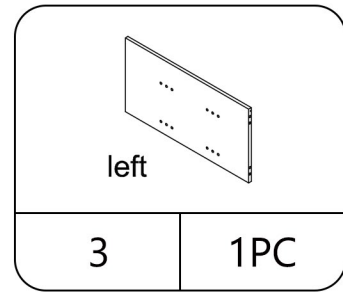
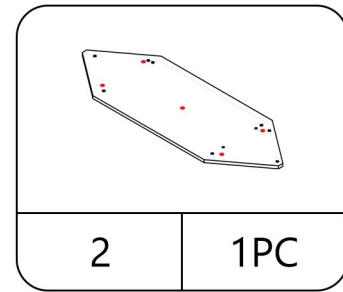
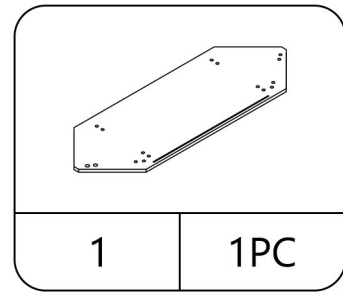
USER'S MANUAL
CORNER TV STAND
SKU: LI005901



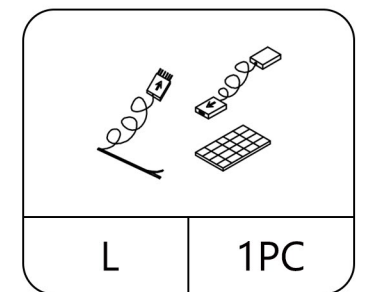
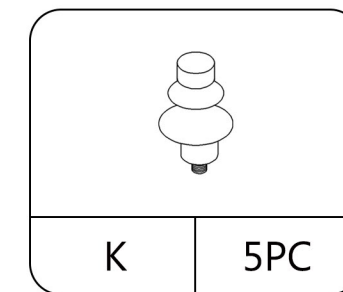
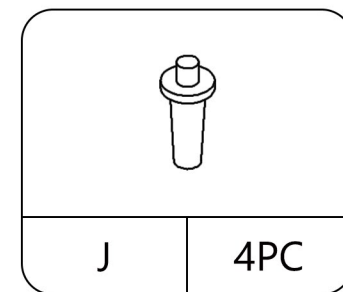
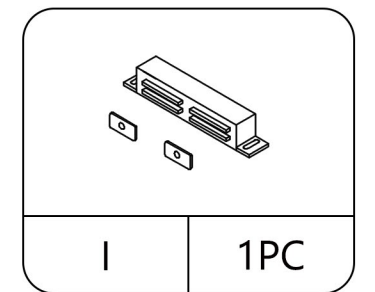
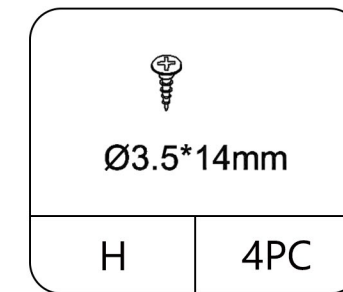
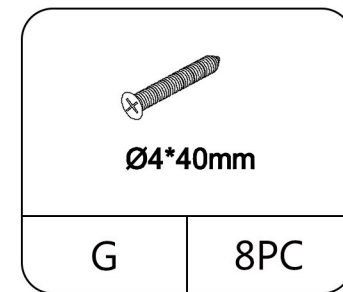
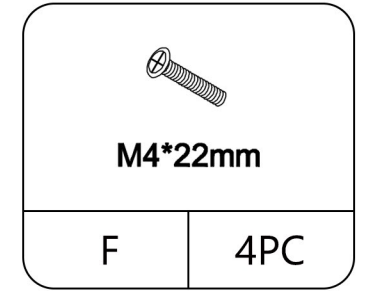
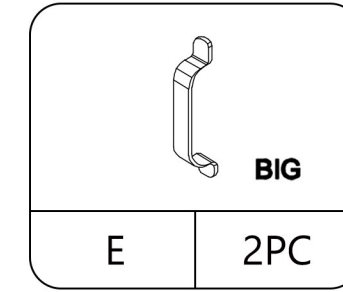
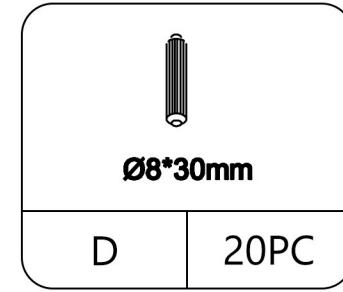
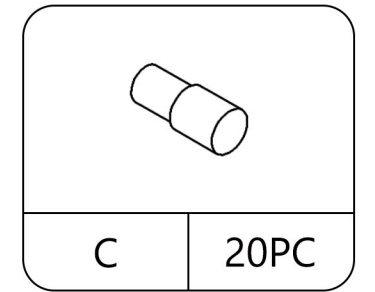
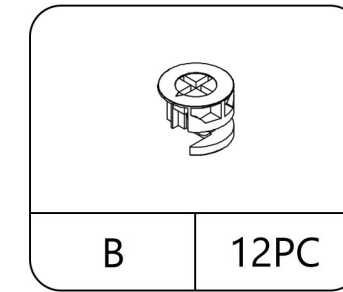
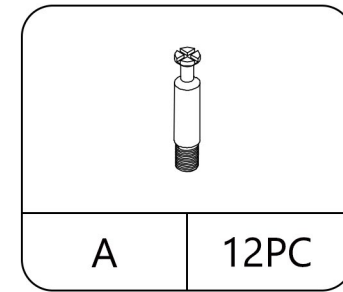
BOARD IDENTIFICATION



Part List



Hardware List



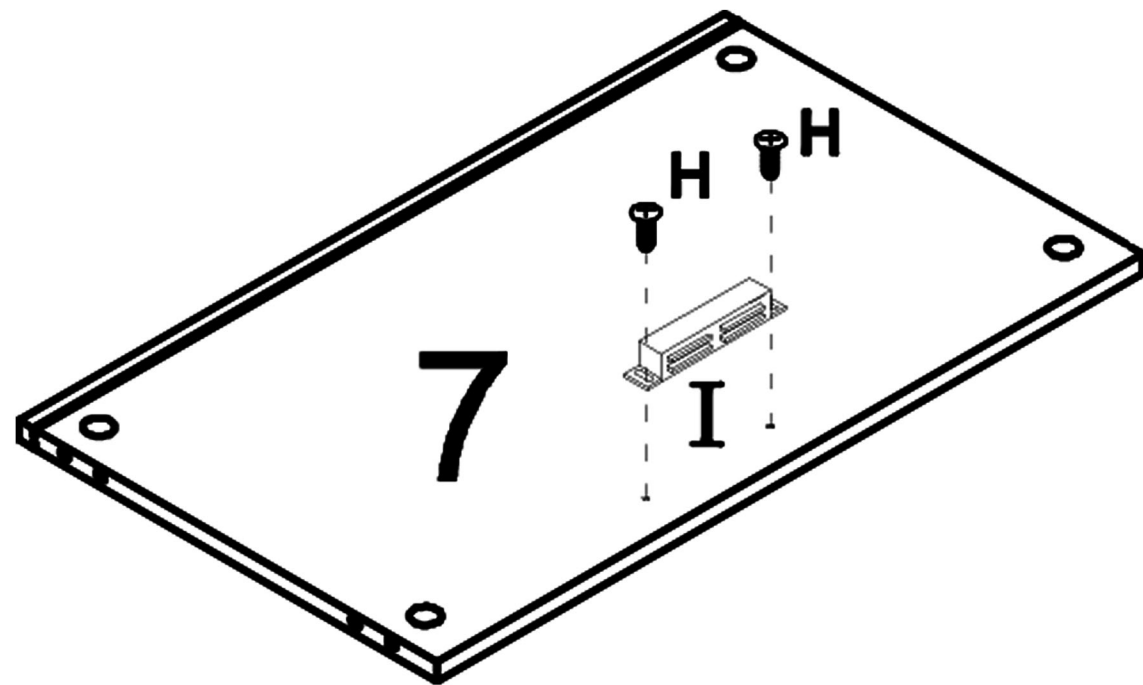
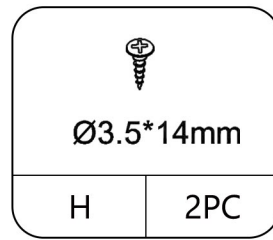
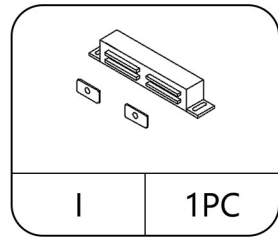
REPLACEMENT PARTS

We are devoted to provide the best products and services for customers.

Please contact us via the "Contact Seller" button in the detail page of your order for any concern and we'll response as soon as possible.

STEP 1

Attach door suck (I) to part (7) through screw (H) with screwdriver.



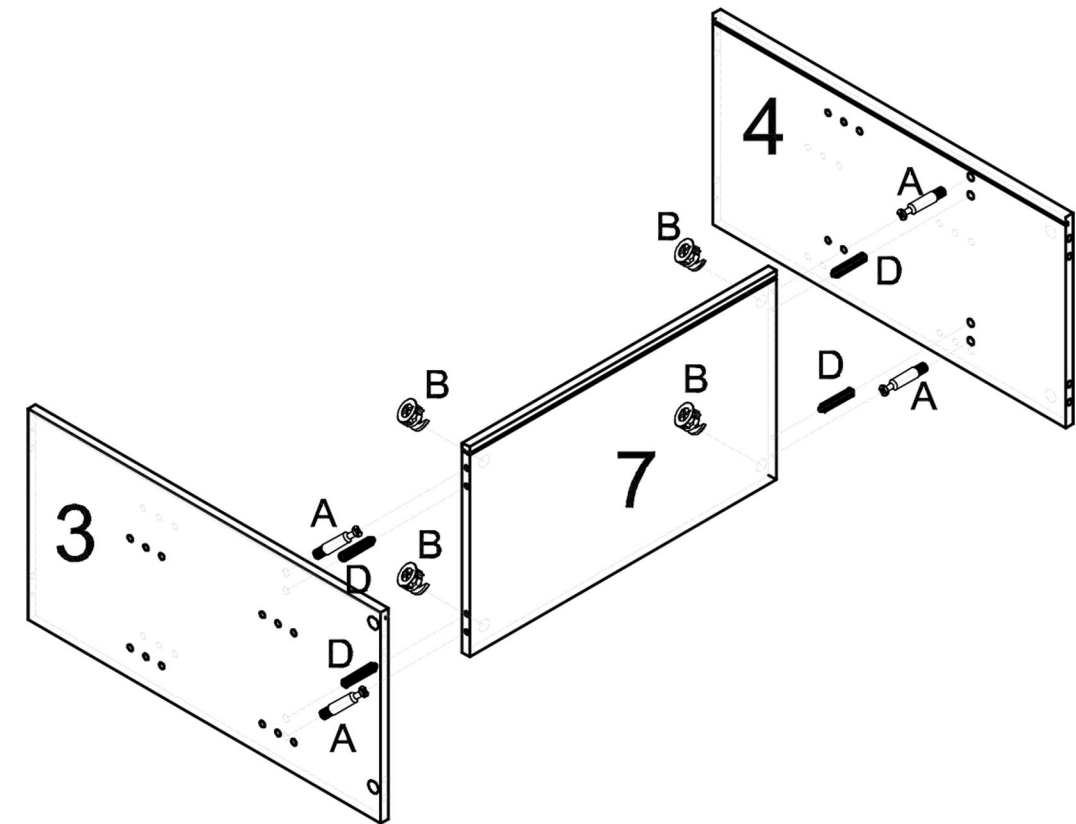
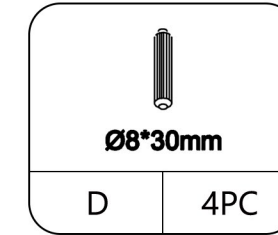
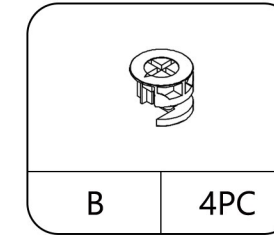
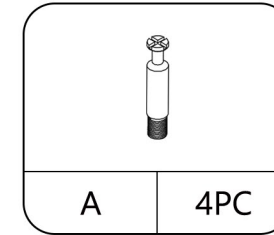
STEP 2

Insert cam bolt (A) into part (3,4) with screwdriver

Insert part (D) into part (7)

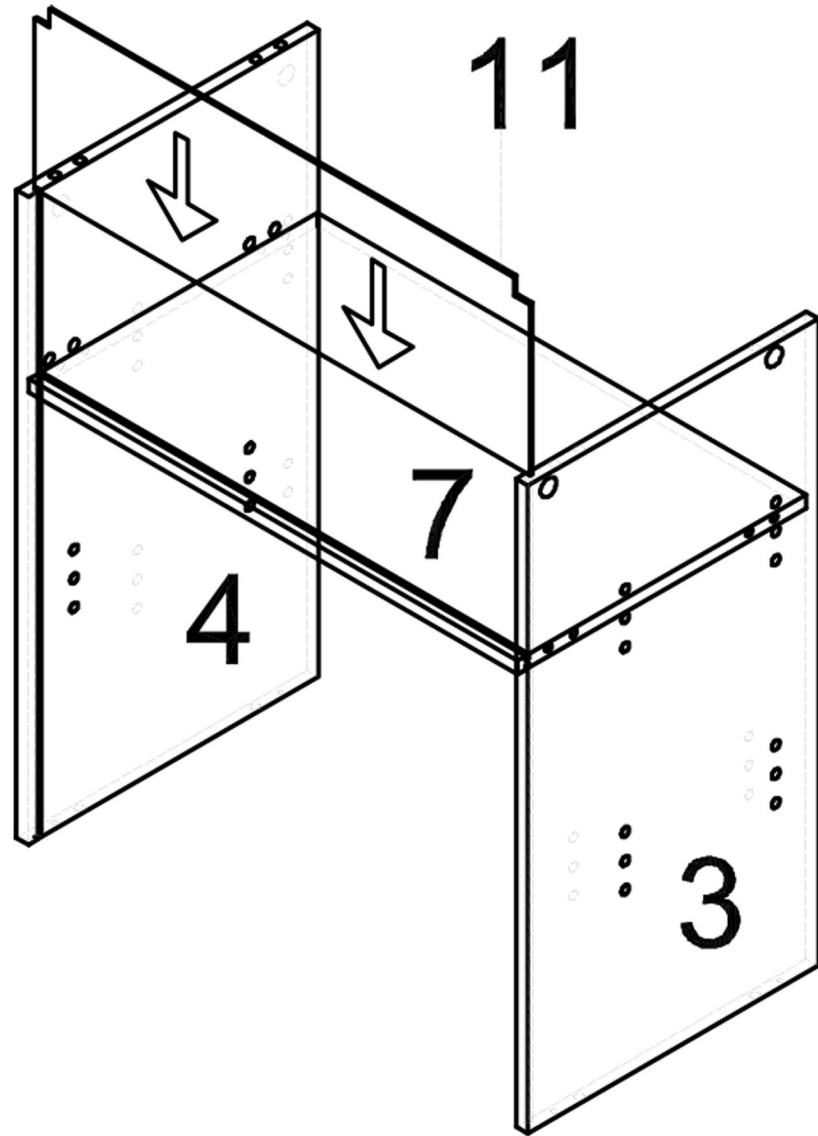
Attach Part (3,4) to part (7) through bolt (A, D)

Insert and secure cam lock (B) to part (7) to lock part (3,4)



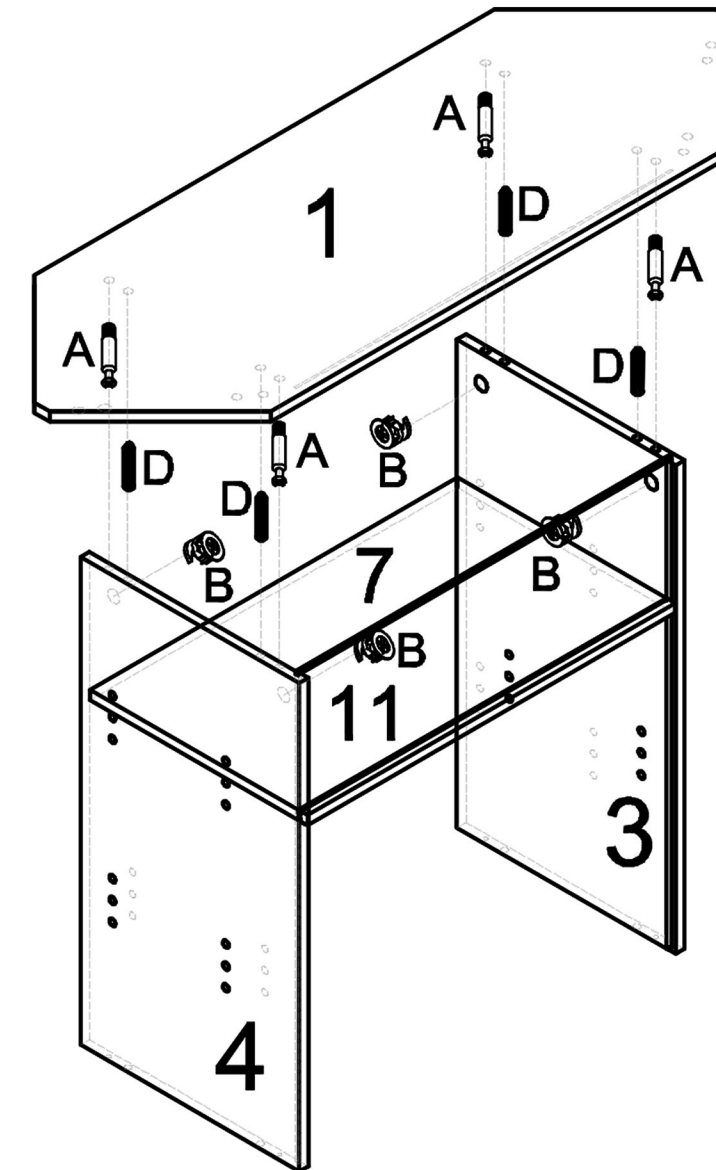
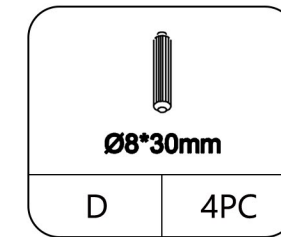
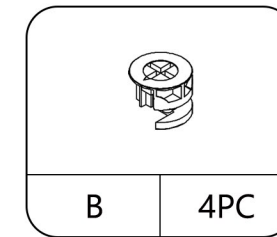
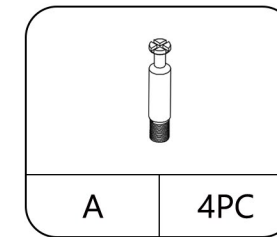
STEP 3

Stand up part (3, 4) and make part (7) parallel to the ground
Slide part (11) into grooves of part (4), part (3) and part (7) as per diagram.



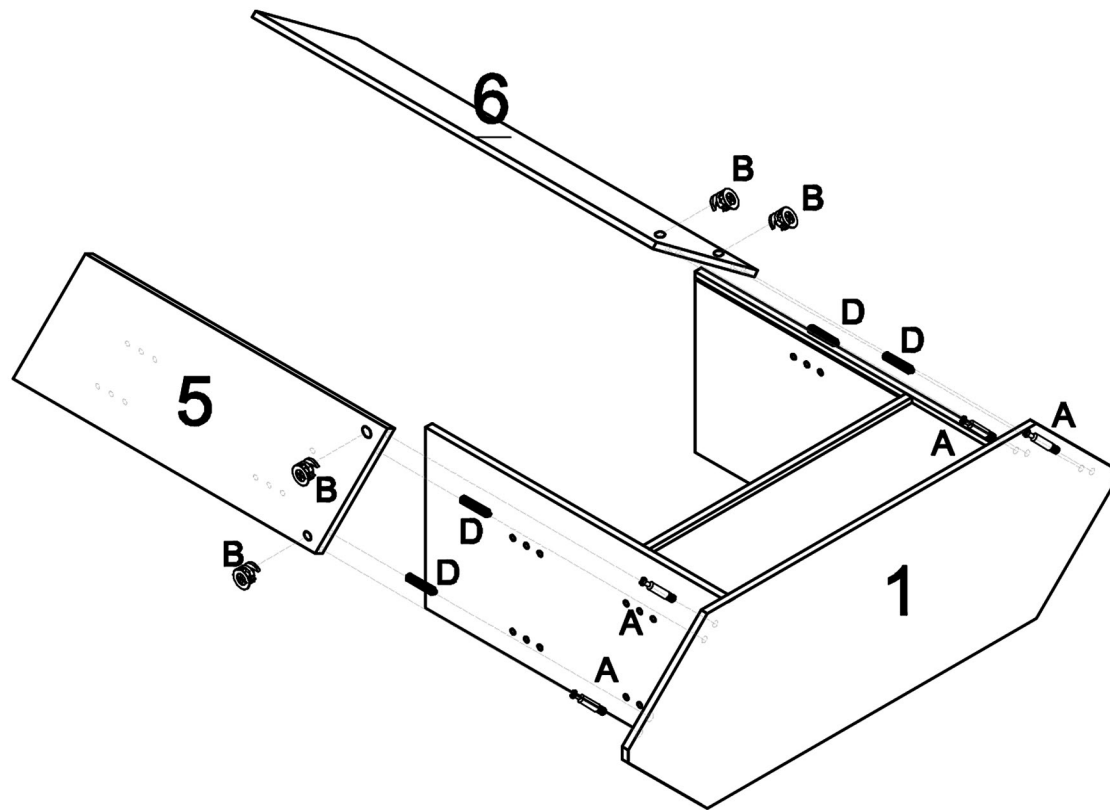
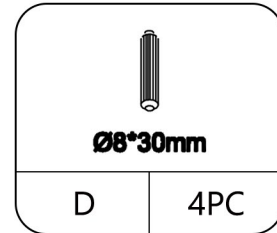
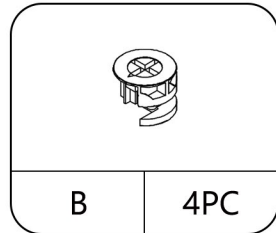
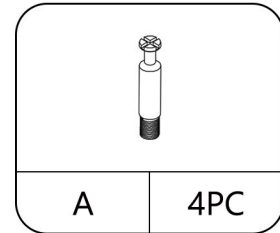
STEP 4

Insert cam bolt (A) into part (1) with screwdriver
Insert bolt (D) into part (3, 4)
Attach part (1) to part (3,4) through bolt (A, D)
Insert and secure cam lock (B) to part (3,4) to lock part (1)



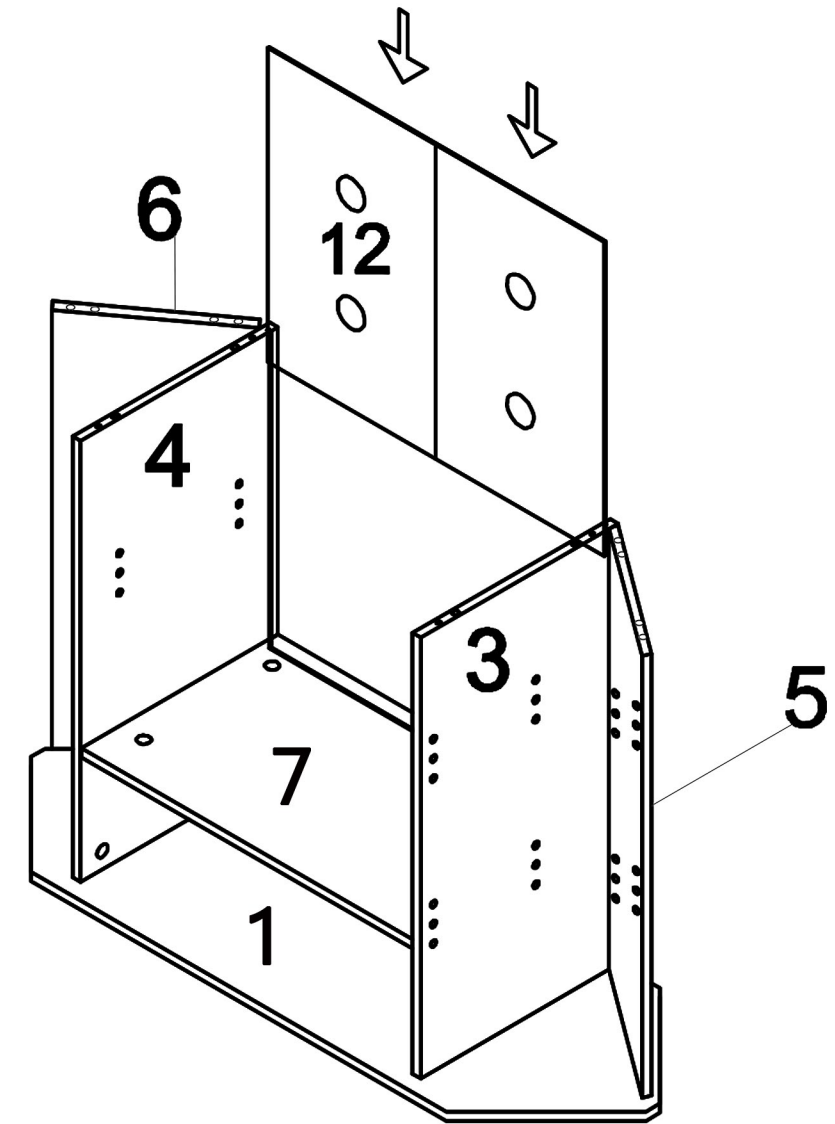
STEP 5

Insert cam bolt (A) into part (1) with screwdriver
Insert bolt (D) into part (5,6)
Attach part (5, 6) to part (1) through bolt (A,D)
Insert and secure cam lock (B) to part (5,6) to lock part (1)



STEP 6

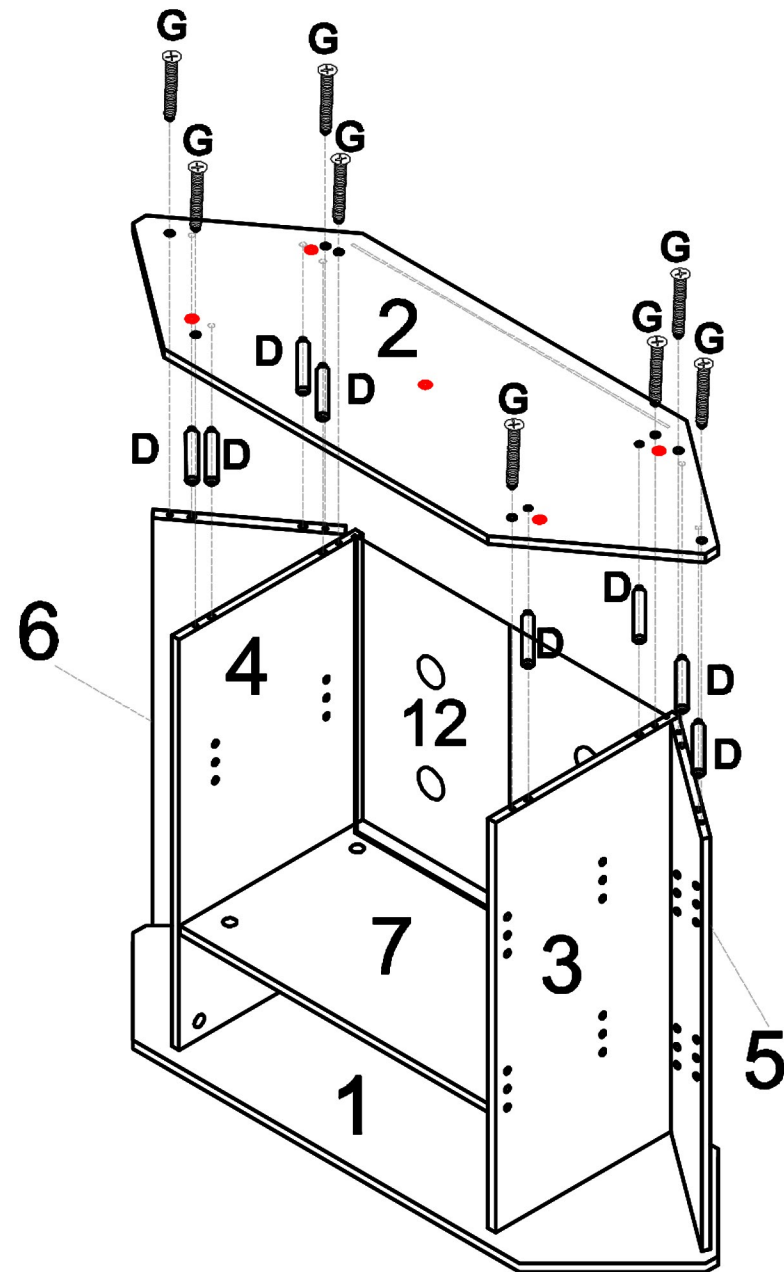
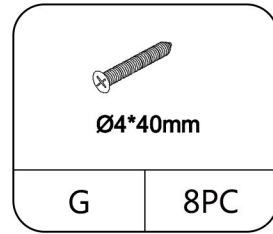
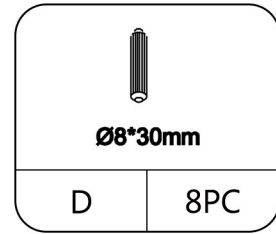
Stand up part (3, 4, 5, 6) and make part (1, 7) parallel to the ground
Slide part (12) into grooves of part (4), part (3) and part (7) as per diagram.



STEP 7

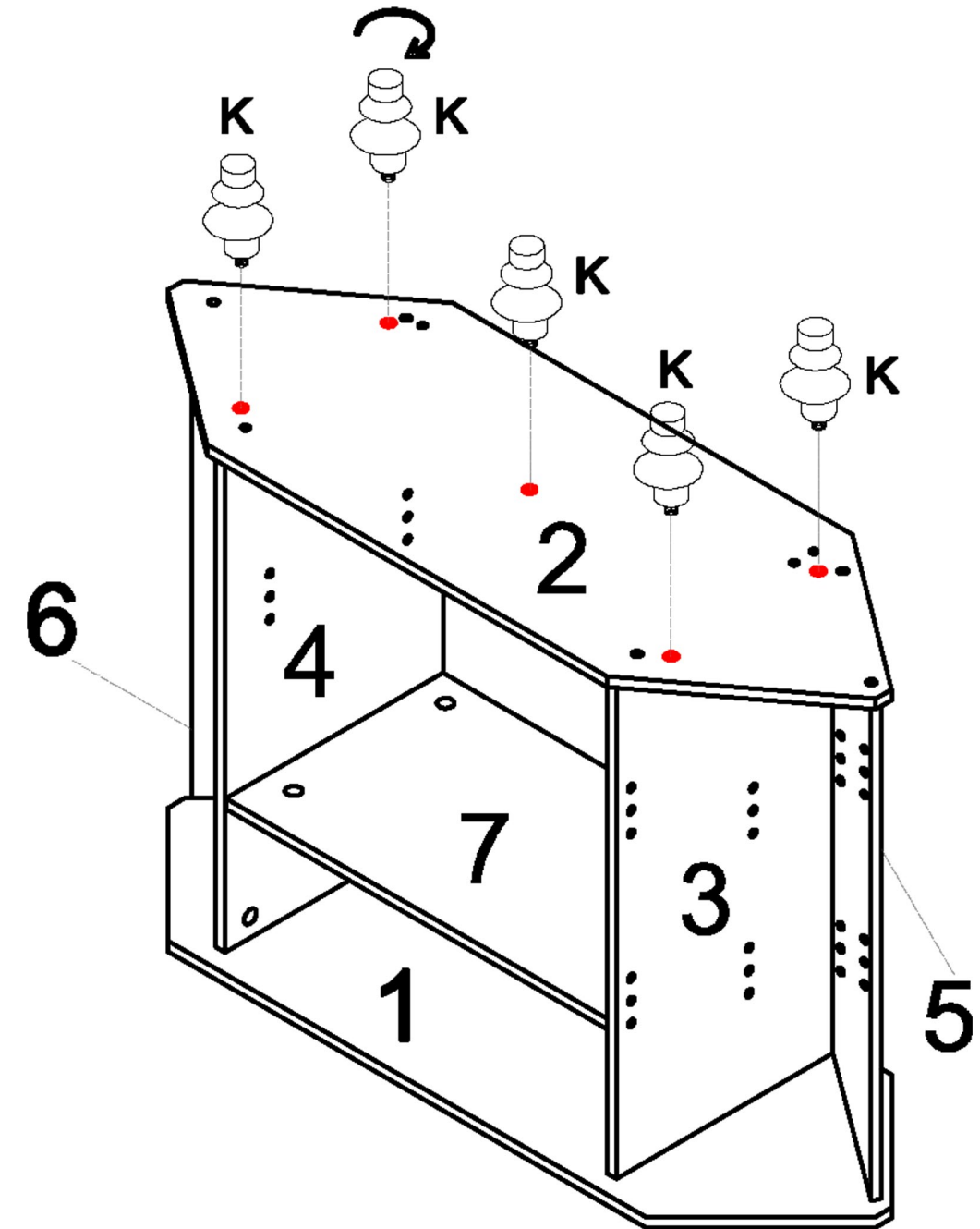
Insert bolt (D) into part (3, 4, 5, 6)

Attach part (2) to part (3, 4, 5, 6) through screw (G) with screwdriver.



STEP 8

Rotate the feet (K) into part (2).



STEP 9

Insert bolt (C) to part (3, 4, 5, 6)

Insert part (9) horizontally between part (3) and part (5)

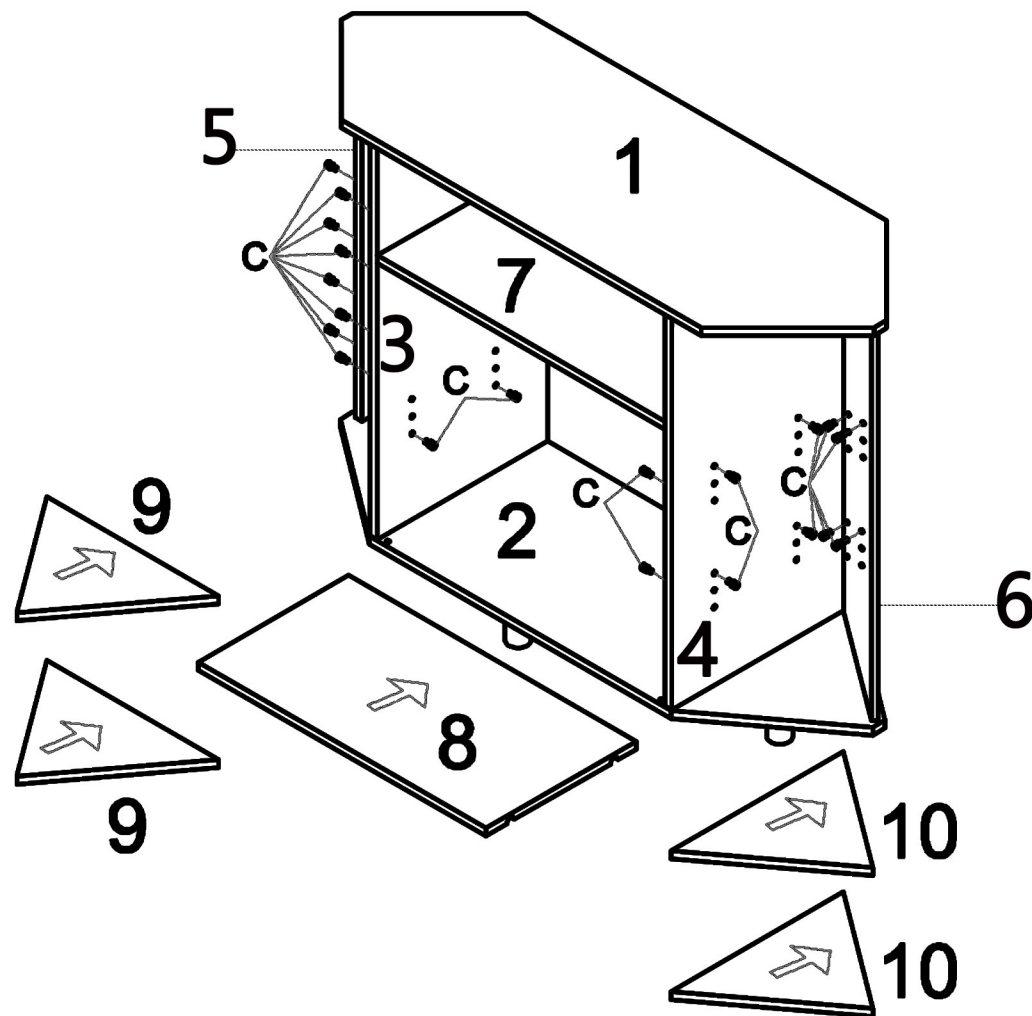
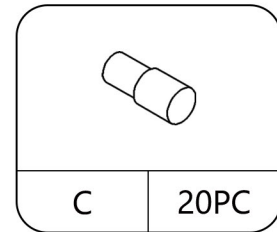
Put part (9) on top of bolt (C)

Insert part (10) horizontally between part (4) and part (6)

Put part (10) on top of bolt (C)

Insert part (8) horizontally between part (3) and part (4)

Put part (8) on top of bolt (C)

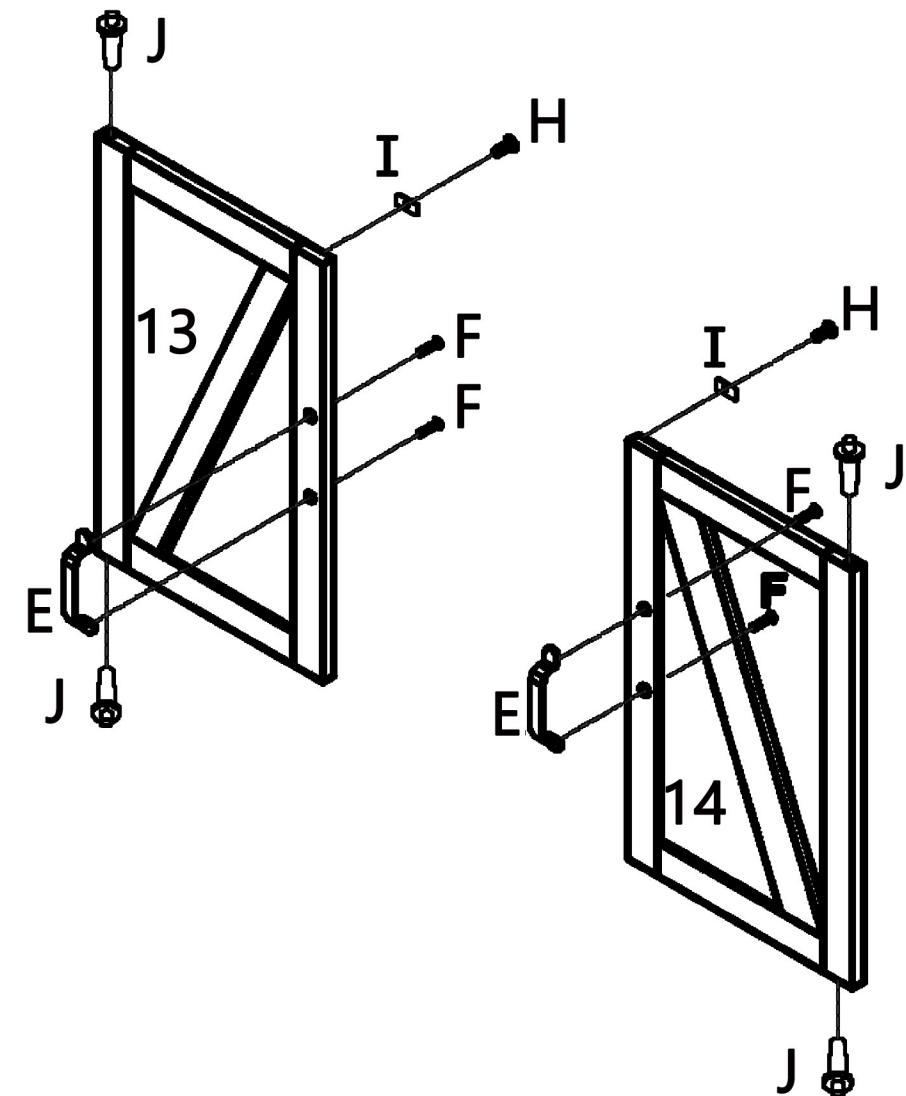
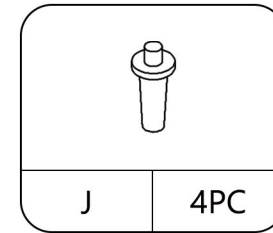
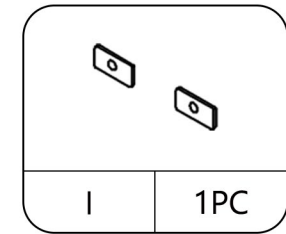
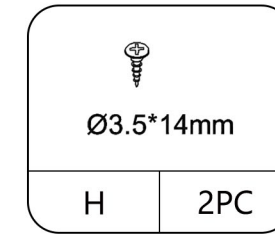
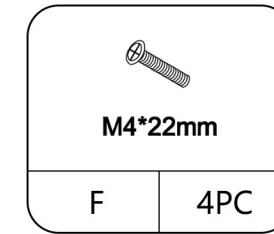
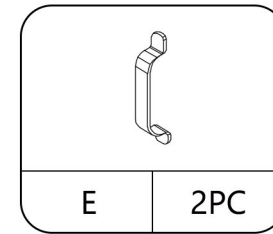


STEP 10

Insert button (J) into part (13,14)

Attach stuck (I) to part (13,14) through screw (H).

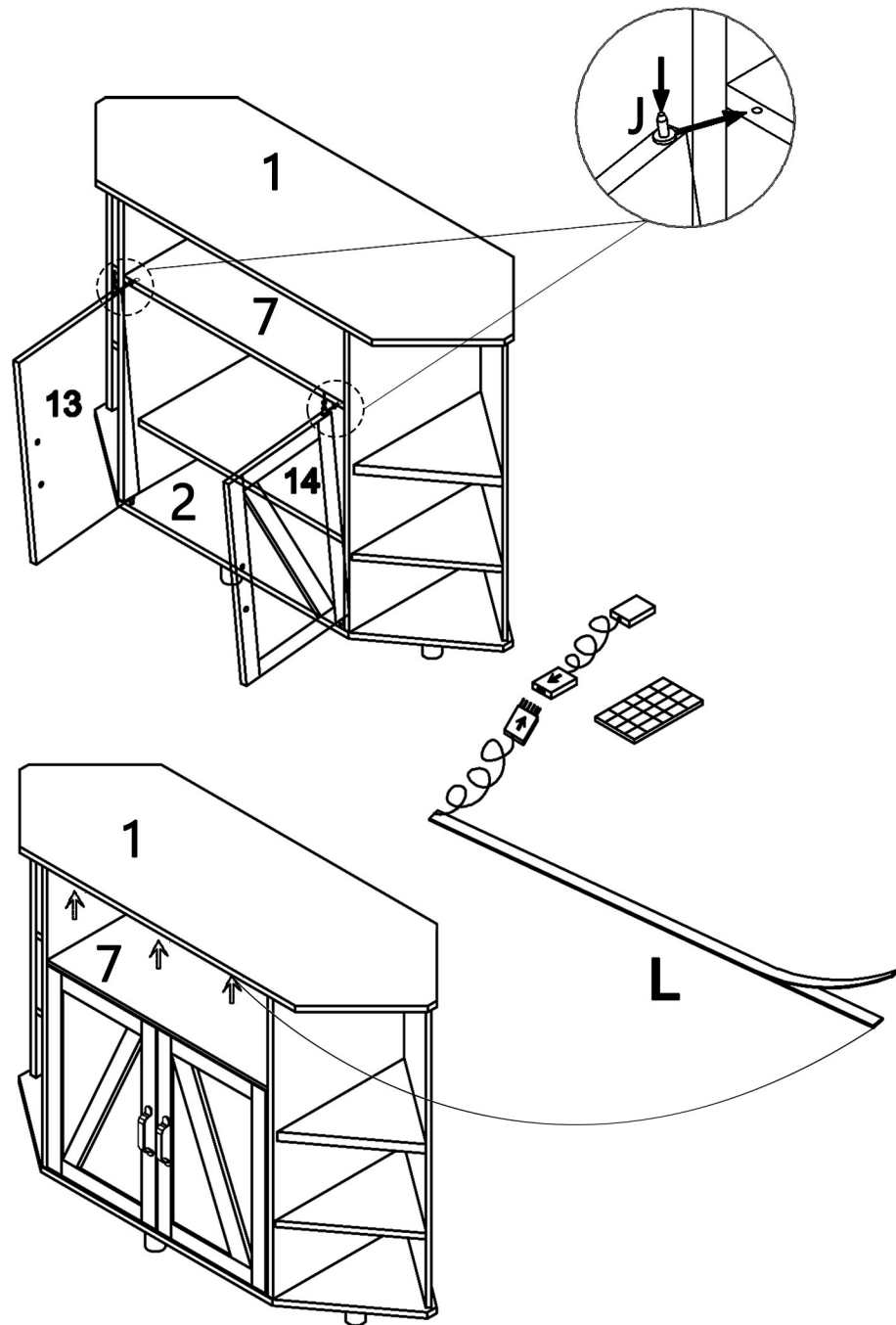
Attach handle (E) to part (13, 14) through screw (F).



STEP 11

Press and hold snaps (J) of part (13, 14) respectively to insert the part (2,7).

Tear off the double-sided tape on the light strip (L) and paste it on part (1).



Congratulations on successfully completing your own TV stand!