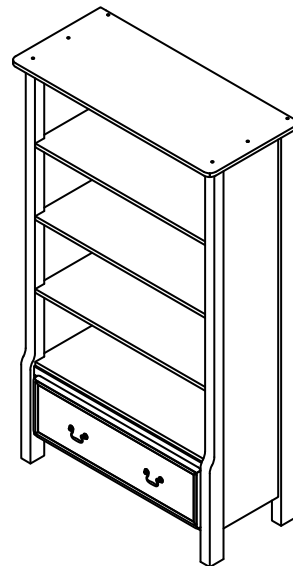


MOE'S
home collection

ASSEMBLY INSTRUCTIONS.

CAROLINE BOOKCASE WARM BROWN

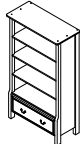
QO-1017-03





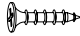
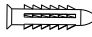
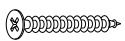

THANK YOU FOR YOUR PURCHASE !

PARTS AND HARDWARE.

PARTS LIST

No.	DESCRIPTION	IMAGE	Q'TY
P1	BOOKCASE		1

HARDWARE LIST

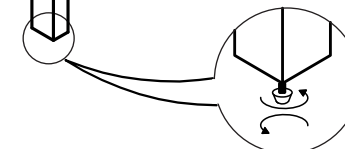
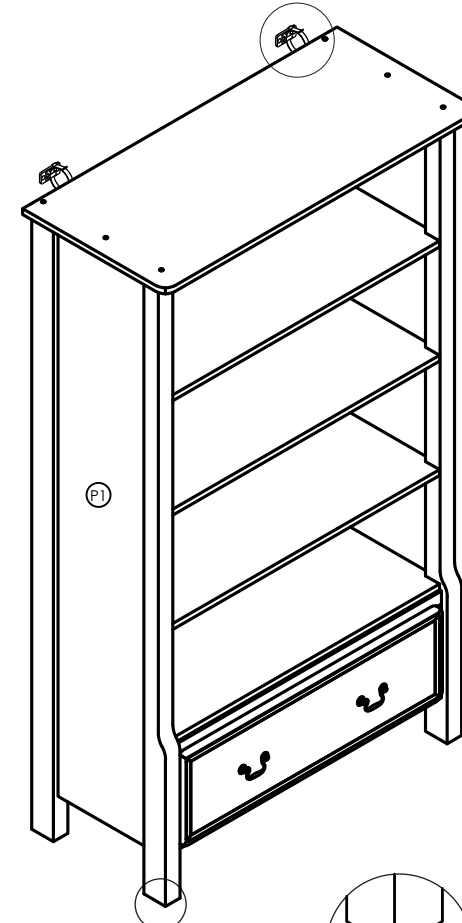
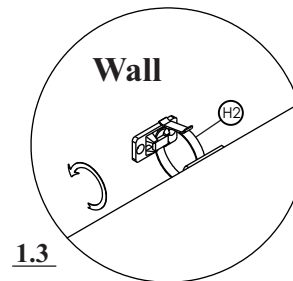
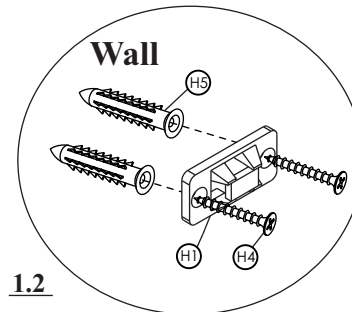
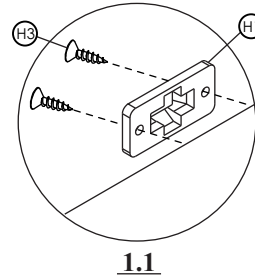
No.	DESCRIPTION	IMAGE	Q'TY
H1	BRACKETS		4
H2	RESTRAINT STRAPS		2
H3	SCREW (M4X20)		4
H4	PLASTIC ANCHOR (M4X30)		4
H5	SCREW (M4X40)		4
H6	SCREW DRIVER		Not provided

NOTES.

Thank you for purchasing this quality product! Be sure to check all packing material carefully for small part that may have come loose inside the carton during shipping.

CAUTION: The item is heavy, assembly should be performed by two people.

STEP 1.



ADJUST LEVELER
FOR BALANCE