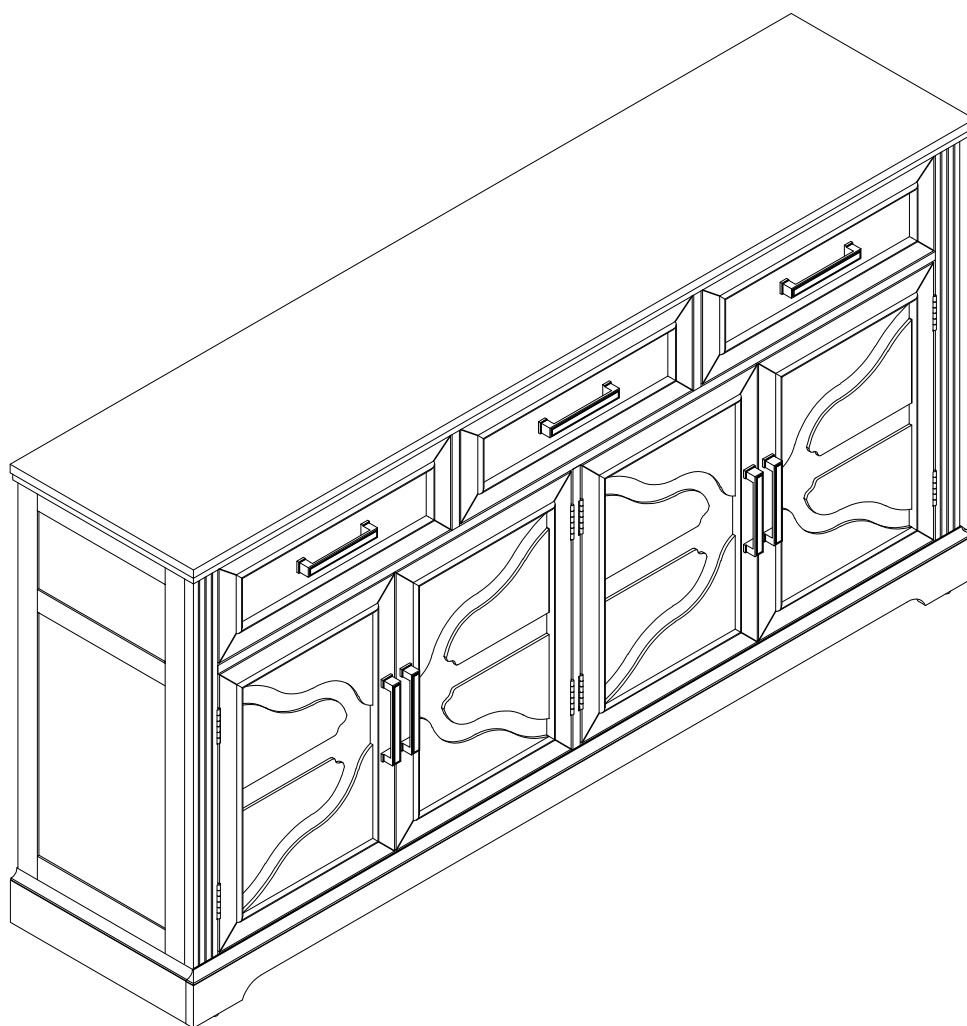


# Cabinet

Assembly Instructions - Please keep for future reference



## Dimensions

Width - 63inch  
Depth - 14.8inch  
Height - 32inch

Any question please feel free to contact us:  
[support@amer-life.com](mailto:support@amer-life.com) TEL:(901) 347-2181  
We will provide further assistance within 24 hours.

Important – Please read these instructions fully before starting assembly



# Safety and Care Advice

## Important – Please read these instructions fully before starting assembly

- Check you have all the components and tools listed on the following pages.

- Remove all fittings from the plastic bags and separate them into their groups.

- Keep children and animals away from the work area, small parts could choke if swallowed.

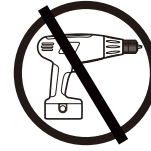
- Make sure you have enough space to layout the parts before starting.

- During assembly do not stand or put weight on the product, this could cause damage.

- Assemble the item as close to its final position (in the same room) as possible.

- Assemble on a soft level surface to avoid damaging the unit or your floor.

- Parts of the assembly will be easier with 2 people.



power drill is set on a low torque setting.

- To reduce the likelihood of damaging your product please ensure that your

## Care and maintenance

- Only clean using a damp cloth and mild detergent, do not use bleach or abrasive cleaners.

- From time to time check that there are no loose screws on this unit.

- This product should not be discarded with household waste. Take to your local authority waste disposal centre.

## Handy Hints

- Assemble all parts and bolts loosely during assembly, only once the product is complete should you fully tighten the bolts

- Regularly check and ensure that all bolts and fittings are tightened properly.

## WARNING

### In order to help prevent overturning please follow these instructions

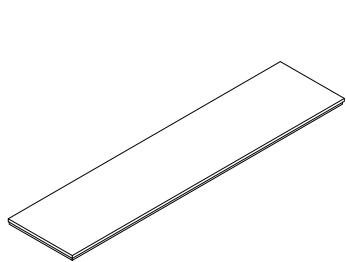
To help prevent product toppling over please follow the steps below:

- Must use the anti tip strap or wall fixing method provided (whichever applies).
- Do not allow children to climb or hang on the furniture.
- Do not place heavy items on top of the furniture, unless the furniture has been designed for this purpose
- Installation shall be carried out exactly according to the instructions- otherwise a safety risk can occur
- In order to prevent falling down this product must be used with the wall attachment device provided.

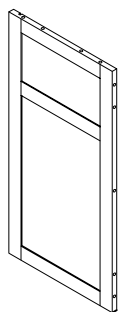
Please note that only the wall attachment device is provided. You will need to supply wall plugs and screws applicable for your wall type.

# Components - Panels

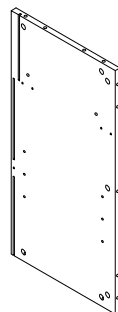
Please check you have all the fittings listed below



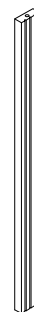
1 (160\*37.5\*3cm)x1



2 (69.3\*34.2\*1.5cm)x1



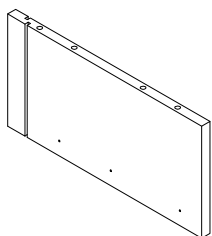
3 (69.3\*34.2\*1.5cm)x1



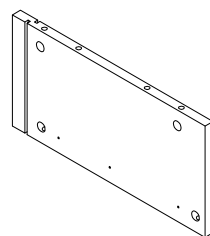
4 (69.3\*5\*1.8cm)x1



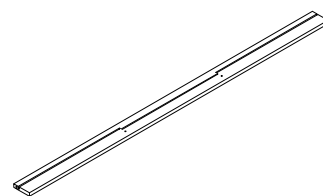
5 (69.3\*5\*1.8cm)x1



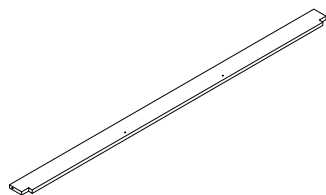
6 (18\*35.9\*1.8cm)x1



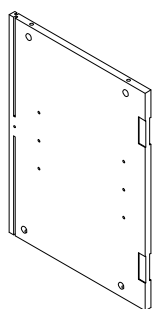
7 (18\*35.9\*1.8cm)x1



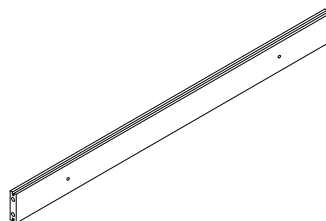
8 (153.9\*7.9\*1.5cm)x1



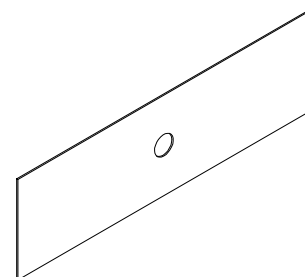
9 (153.9\*7.9\*1.5cm)x1



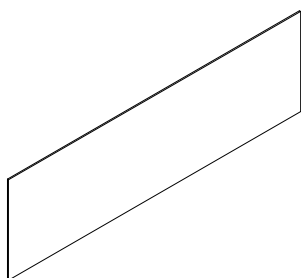
10 (49.75\*35.9\*1.5cm)x1



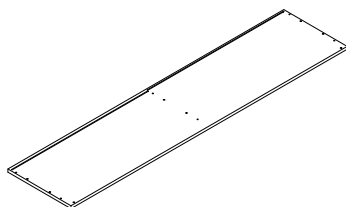
11 76.2\*6\*1.5cm)x2



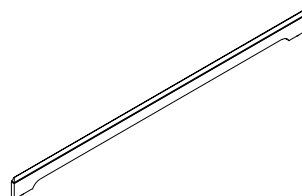
12 (77.3\*23\*0.27cm)x2



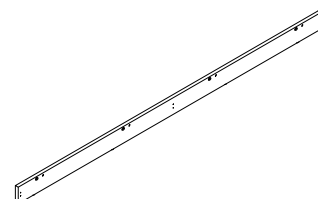
13 (77.3\*23\*0.27cm)x2



14 (156.9\*35.95\*1.5cm)x1



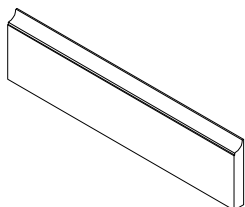
15 (160\*9\*1.5cm)x1



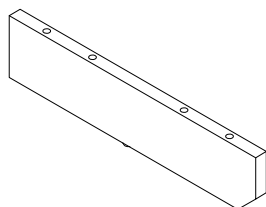
16 (156.9\*7.5\*1.5cm)x1

# Components - Panels

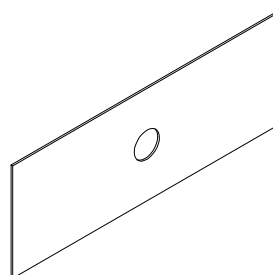
Please check you have all the fittings listed below



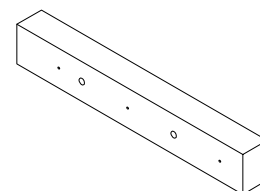
17 (36\*9\*1.5cm)x2



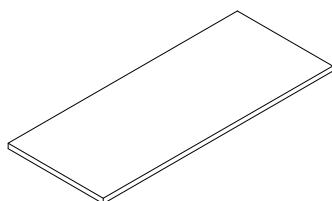
18 (34.5\*7.5\*1.5cm)x1



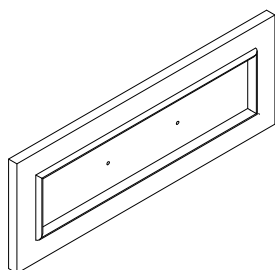
19 (52.5\*19.1\*0.27cm)x2



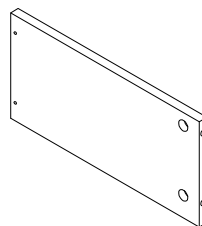
20 (31.4\*4.8\*3.4cm)x2



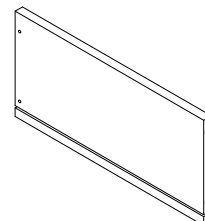
21 (75.4\*31.3\*1.5cm)x2



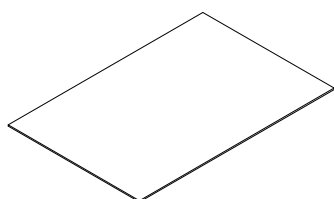
22 (47.4\*17.4\*2.1cm)x3



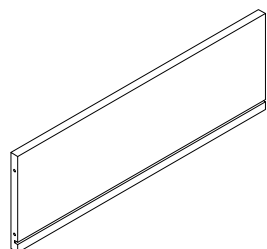
23 (29.95\*14.3\*1.2cm)x3



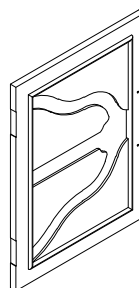
24 (29.95\*14.3\*1.2cm)x3



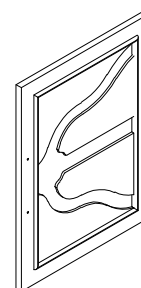
25 (44.2\*29.8\*0.27cm)x3



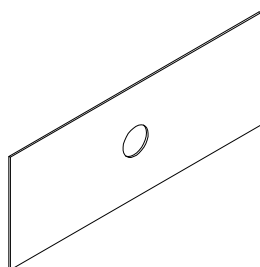
26 (43.1\*14.3\*1.2cm)x3



27 (49.2\*35.85\*2.1cm)x2



28 (49.2\*35.85\*2.1cm)x2



29 (49.1\*19.1\*0.27cm)x1

# Components - Fittings

Please check you have all the fittings listed below

**Note:** The quantities below are the correct amount to complete the assembly. In some cases more fittings may be supplied than are required.



Cam Bolt 54X+4X



Ø8x30mm Wooden Dowel 28X+2X



Ø15\*9 Cam Lock 54X+4X



Handle 7X



Ø5/32"x10mm Screw 6X



Ø5/32"x20mm Screw 8X



Ø3.5x30mm Screw 16X+1X



Ø2.9x8mm Screw 56X+4X



Ø3.5x16mm Screw 2X



Ø3.9x15mm Screw 32X+3X



Ø3.5x12mm Screw 36X+3X



Ø2.9x18mm Screw 42X



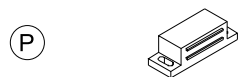
Ø1/4"x12mm Screw 24X+2X



Shelf Pin 12X



Sheet iron 4X



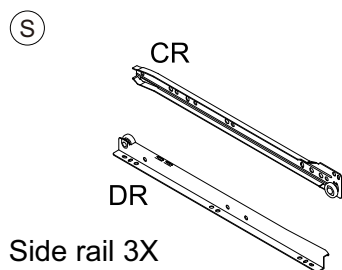
Magnet 4X



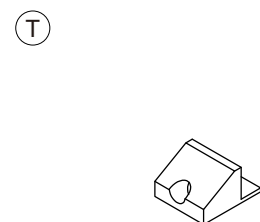
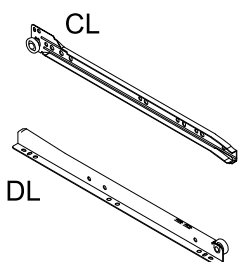
Beauty patch 54X



Hinge 8X



Side rail 3X

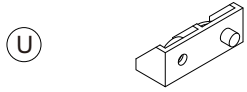


Plastic Connector 42X

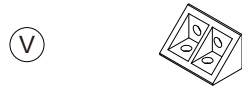
# Components - Fittings

Please check you have all the fittings listed below

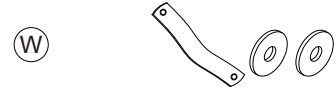
**Note:** The quantities below are the correct amount to complete the assembly. In some cases more fittings may be supplied than are required.



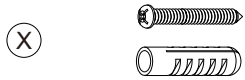
Plastic Connector 12X



Plastic Connector 6X



2X

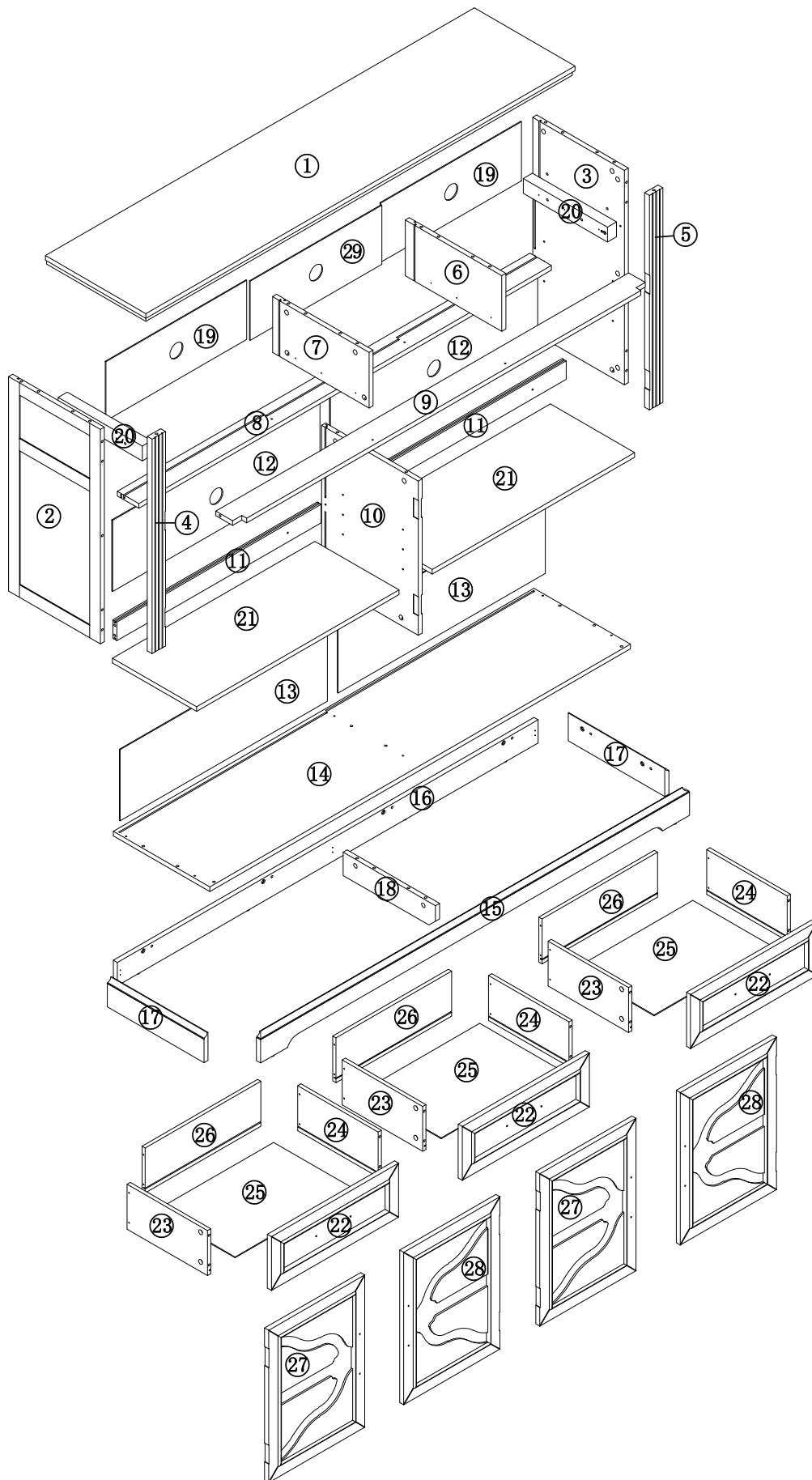


2X



Ø3.5x15mm Screw 8X

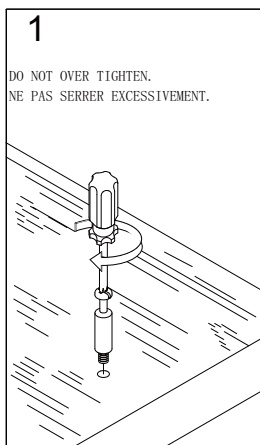
# Assembly Instructions



# Using Camlocks

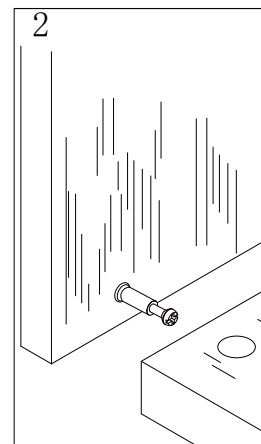
## Step 1

Connect the male camlock as directed in the assembly instructions using a screwdriver.



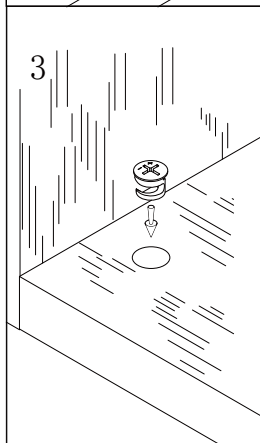
## Step 2

Push the male camlock into the entry hole.



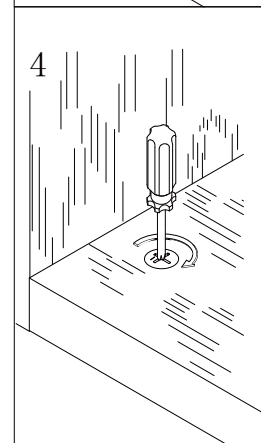
## Step 3

Insert the female camlock as shown in the instructions.  
Note: ensure that the arrow on the top of the camlock points towards the entry hole for the male camlock.



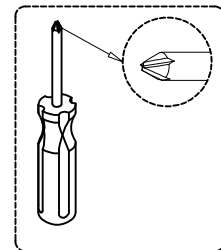
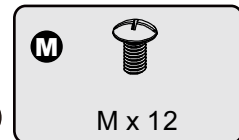
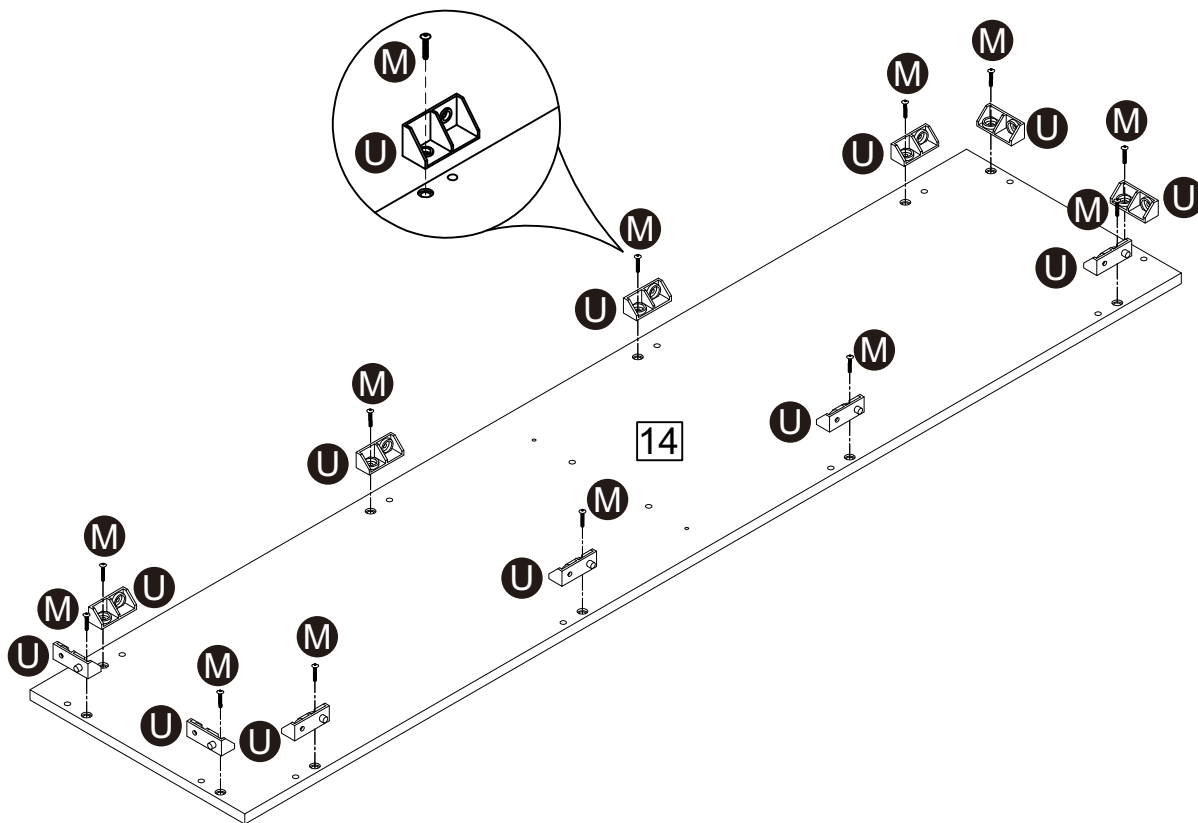
## Step 4

Turn the female camlock clockwise with a screwdriver.  
You should feel a click when the camlock is locked in place.  
The joint is now secure.

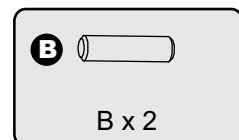
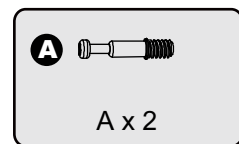
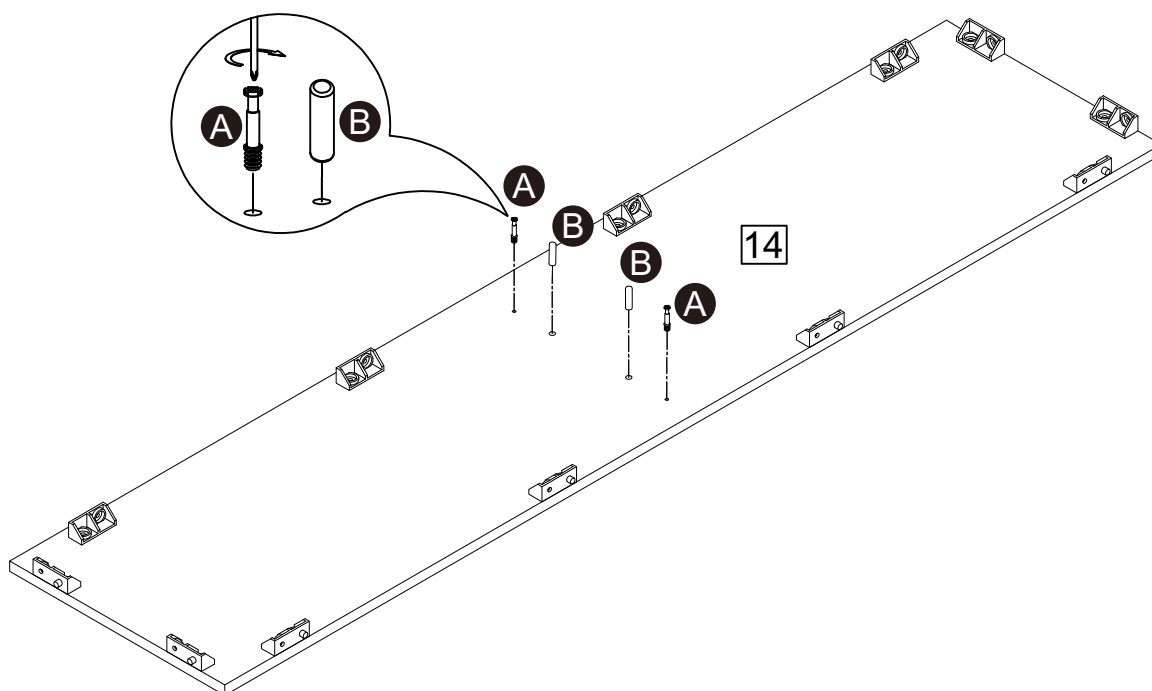


# Assembly Instructions

## Step 1

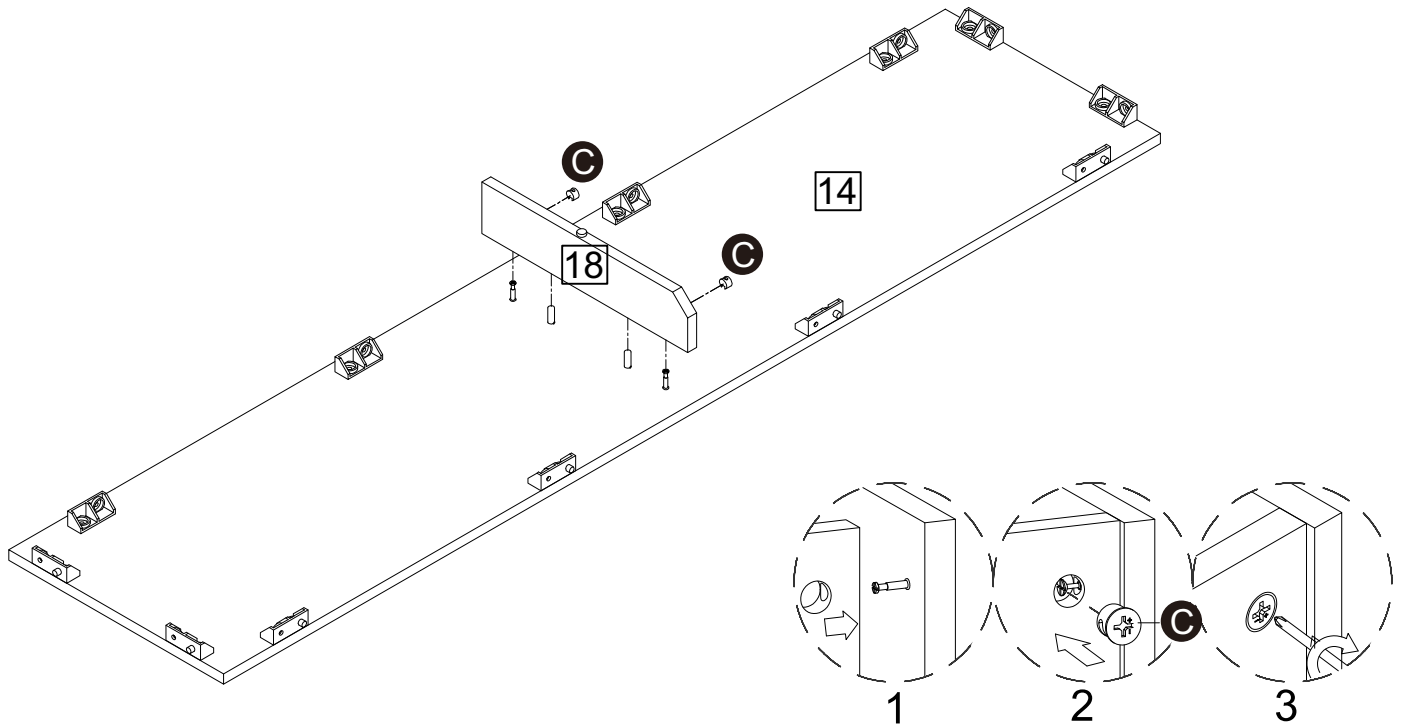
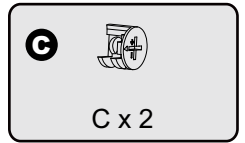


## Step 2

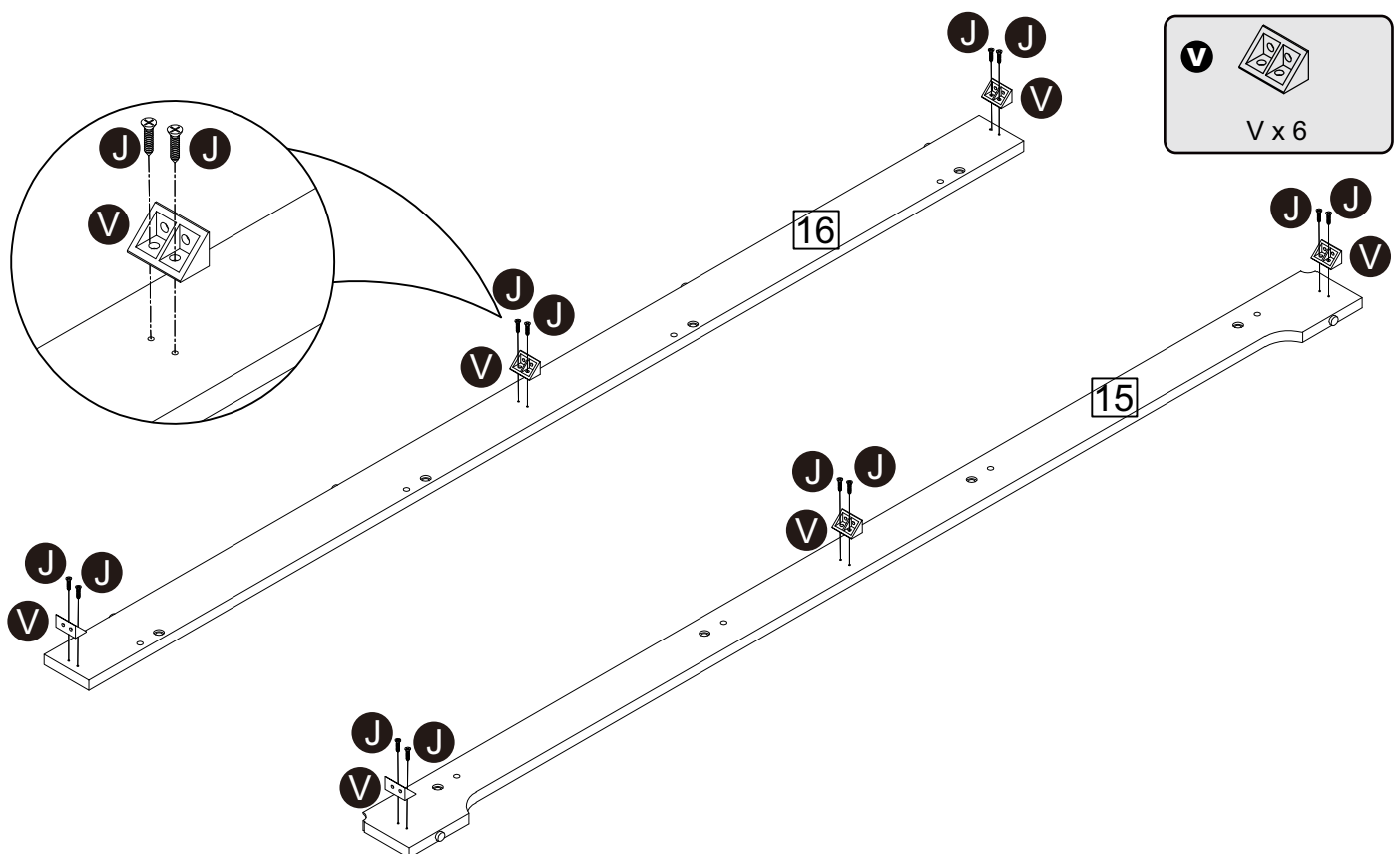
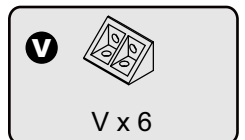
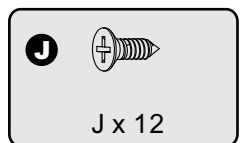


# Assembly Instructions

## Step 3

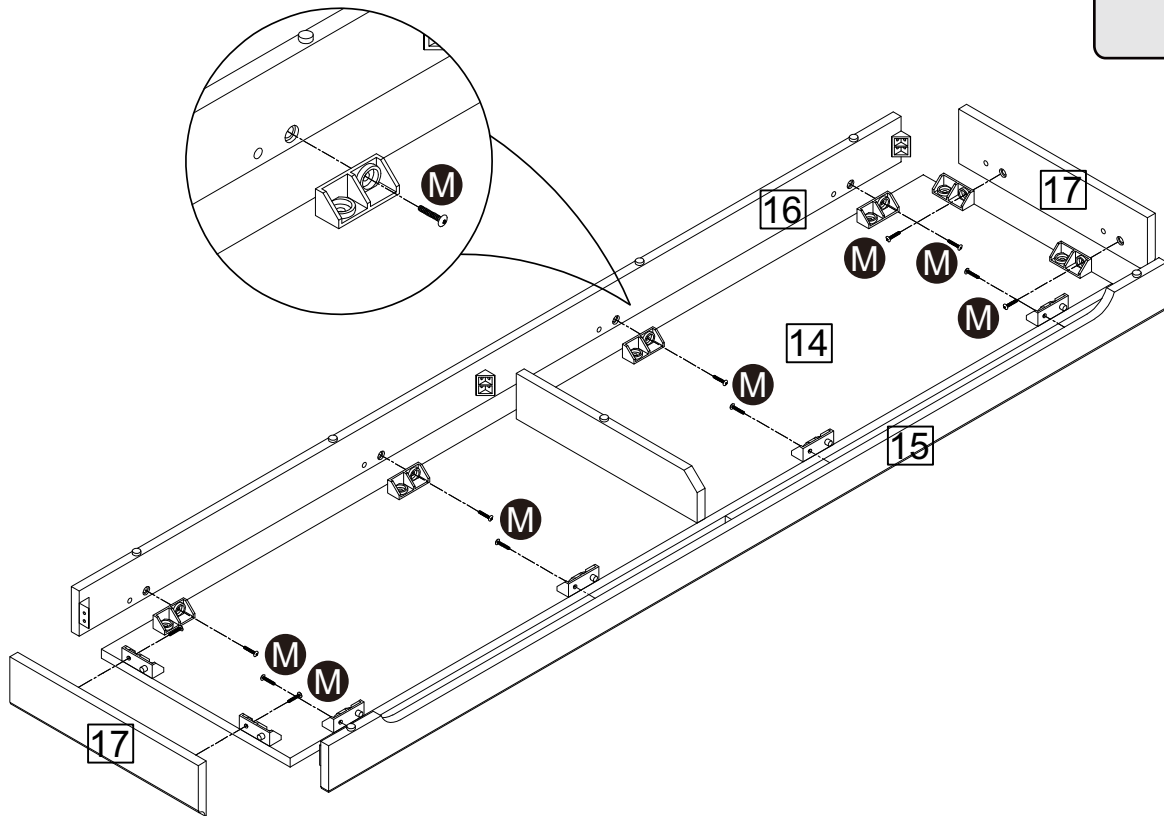


## Step 4

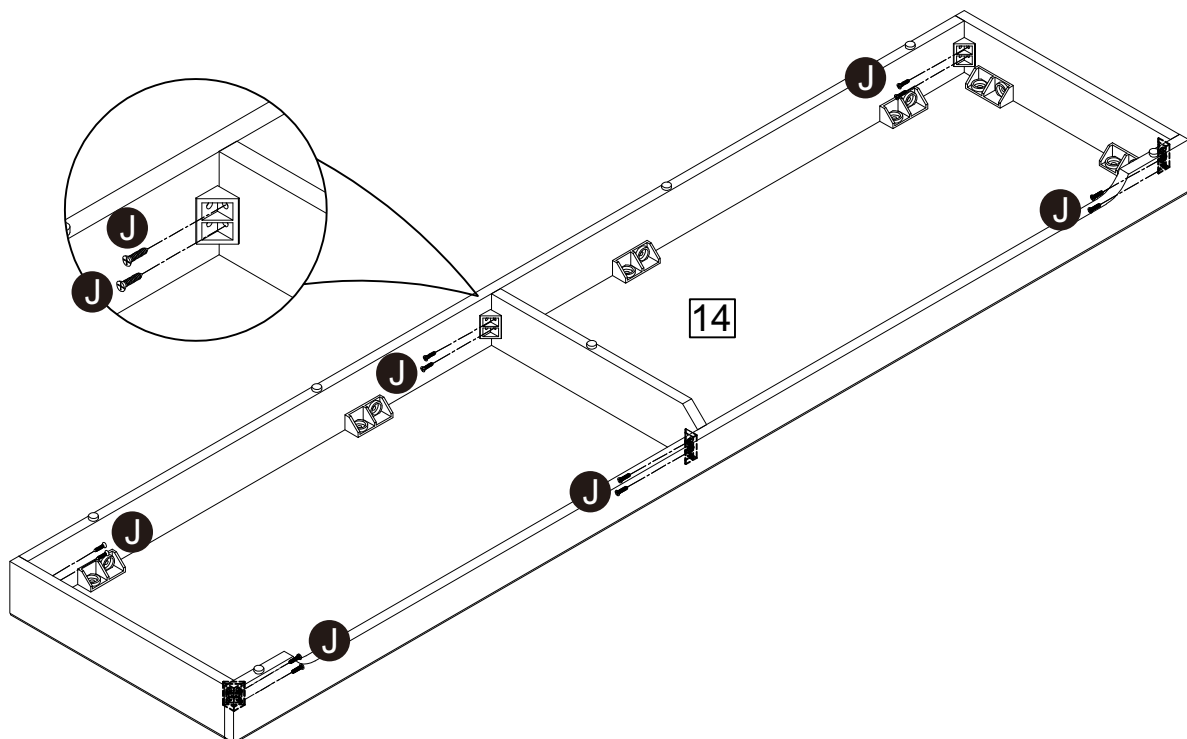
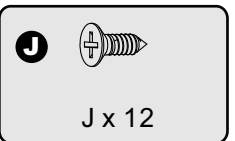


# Assembly Instructions

## Step 5

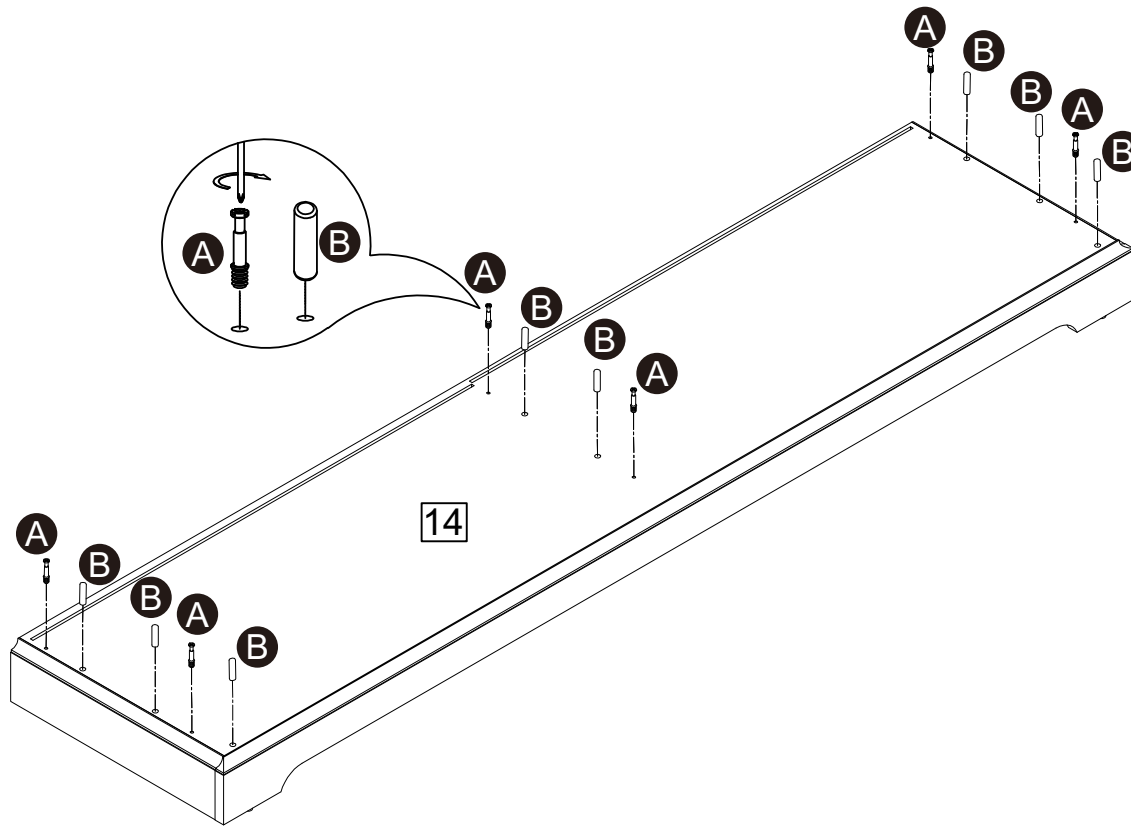


## Step 6

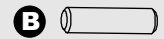


# Assembly Instructions

## Step 7

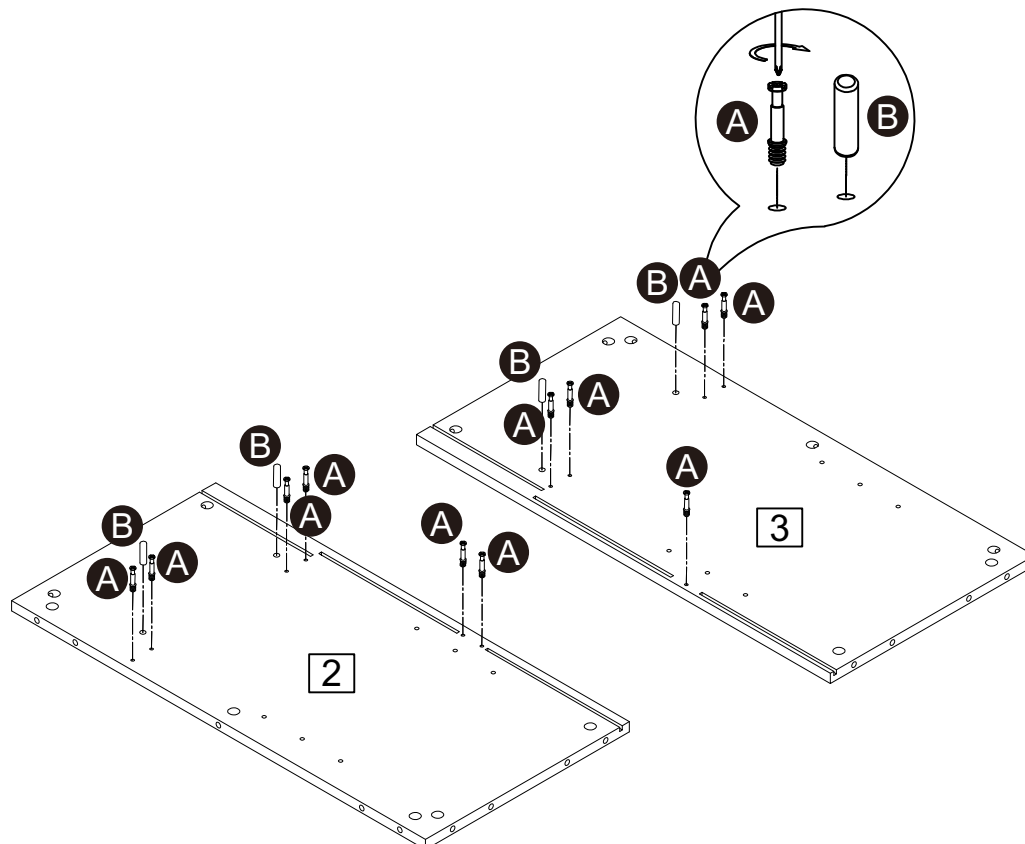


A x 6



B x 8

## Step 8



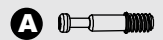
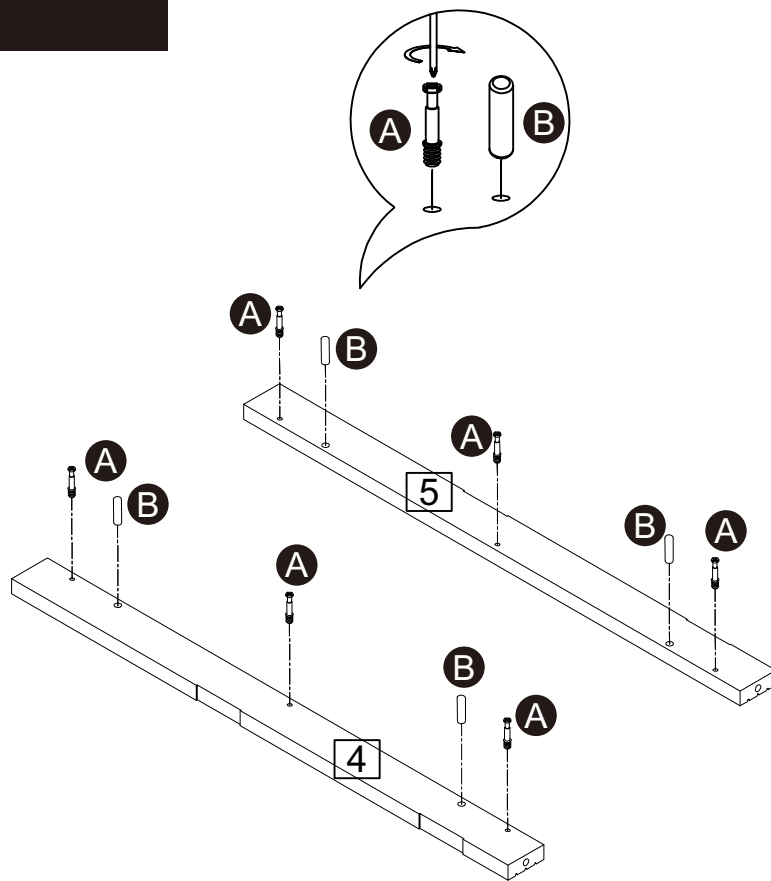
A x 11



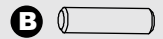
B x 4

# Assembly Instructions

## Step 9

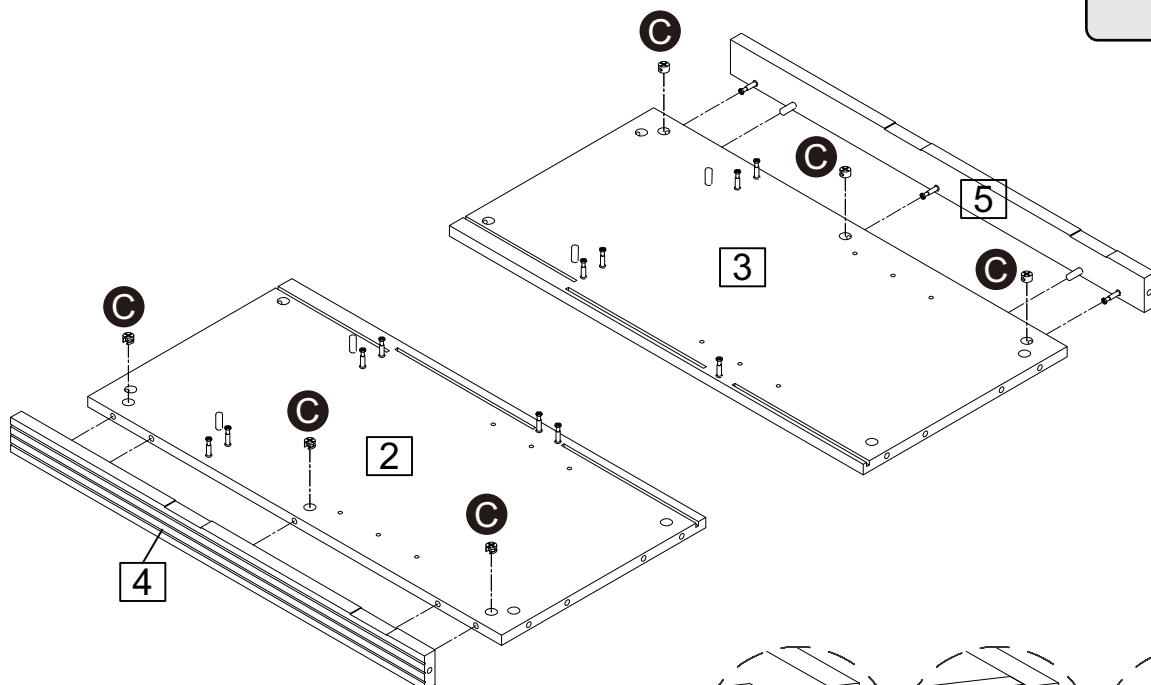


A x 6

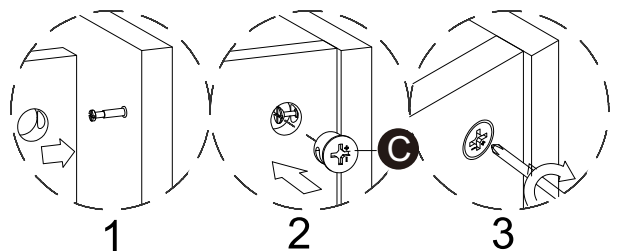


B x 4

## Step 10

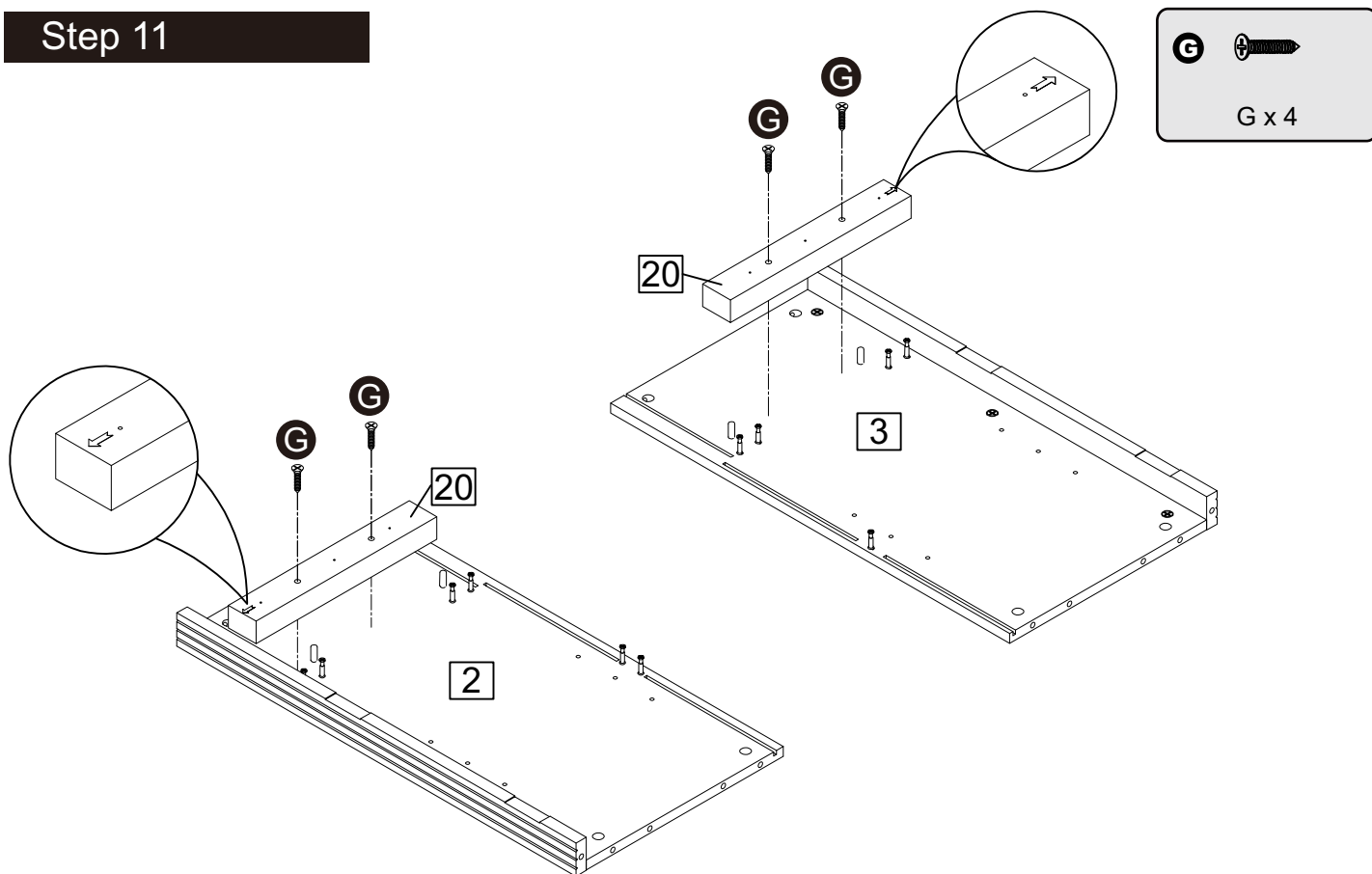


C x 6

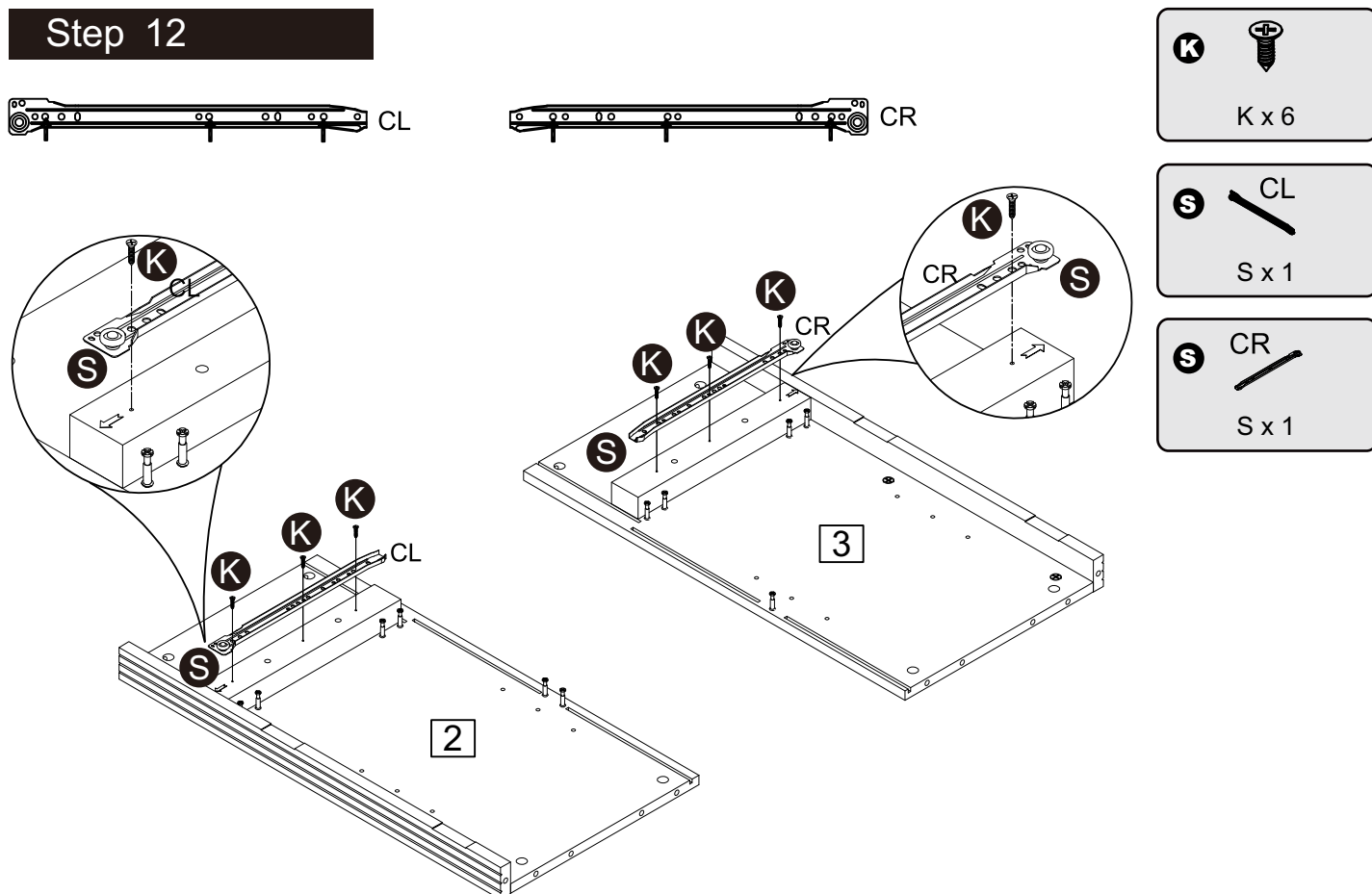


# Assembly Instructions

## Step 11

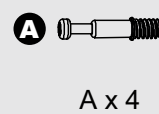
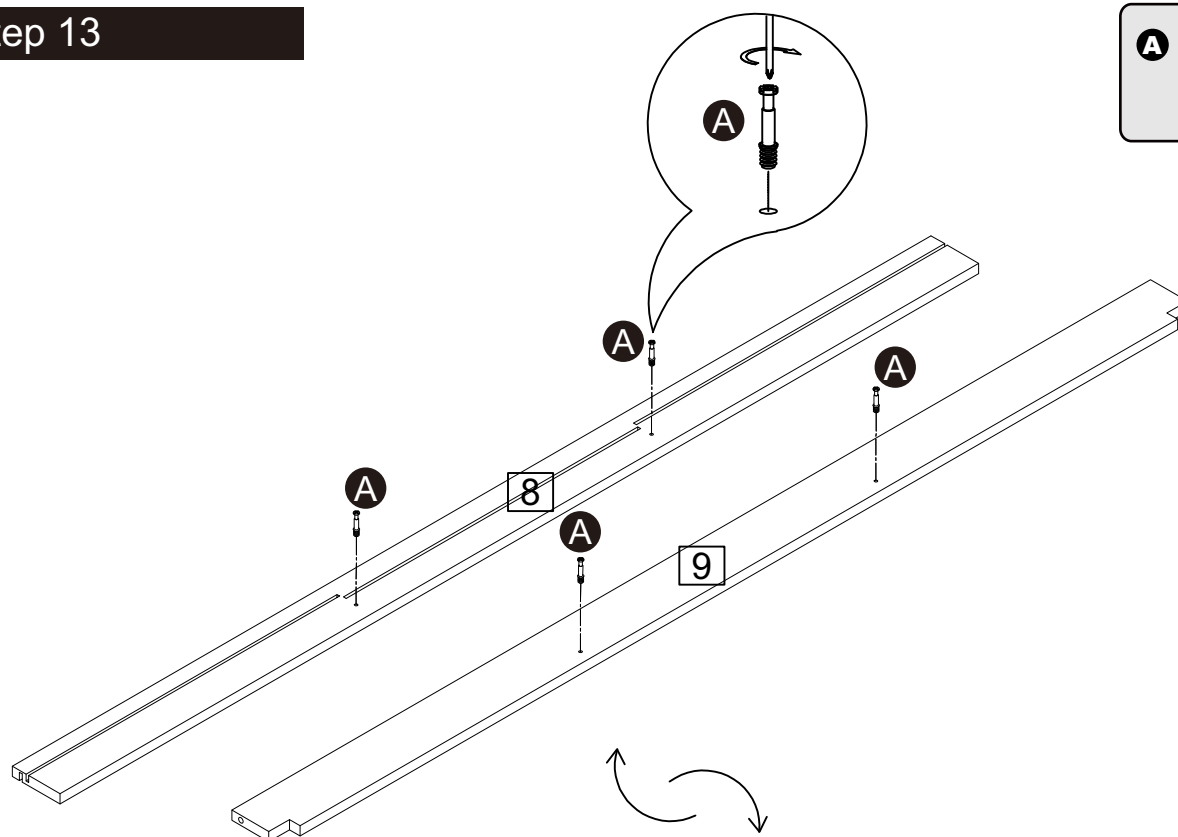


## Step 12

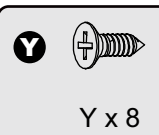
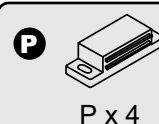
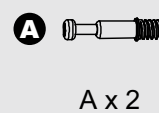
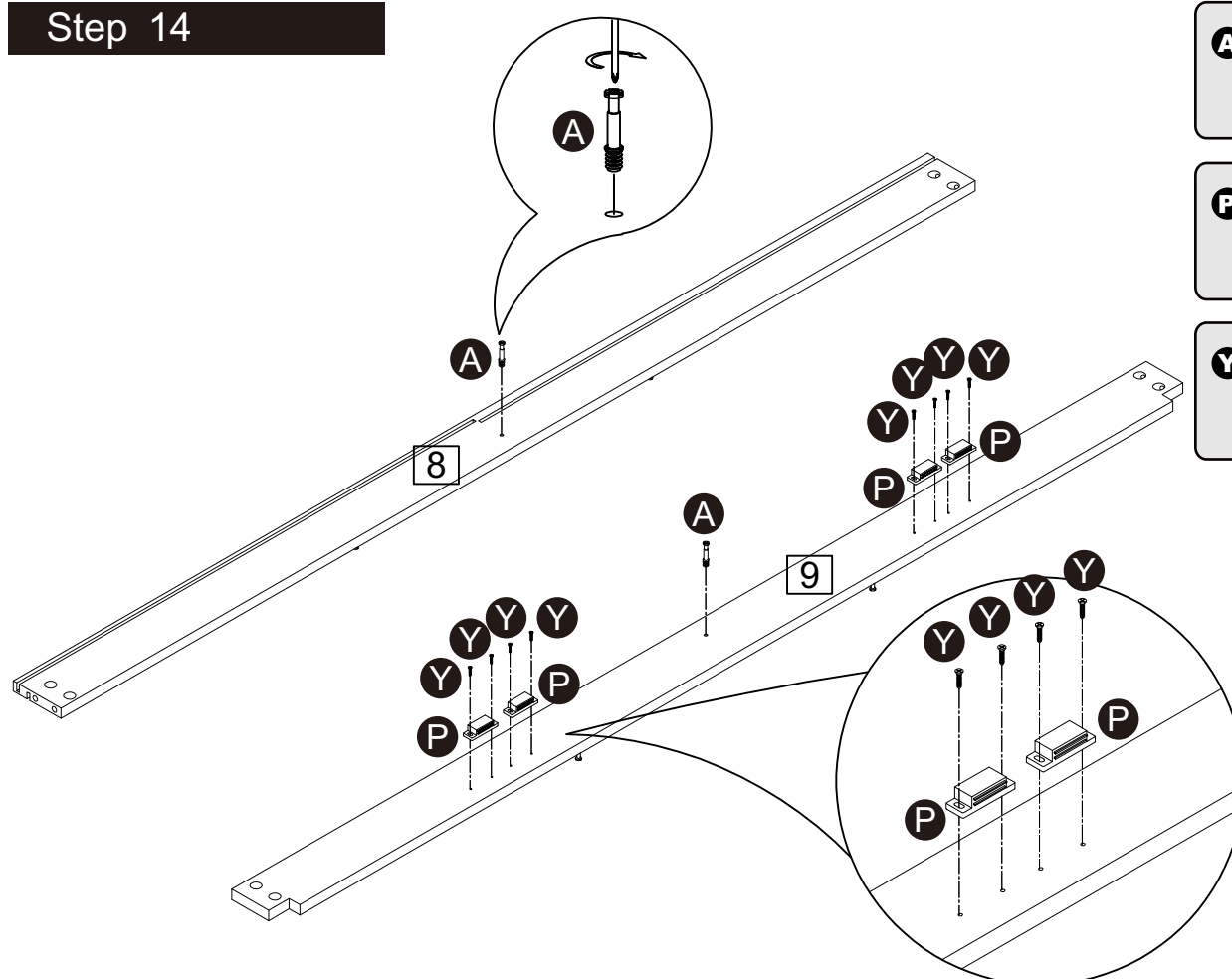


# Assembly Instructions

## Step 13

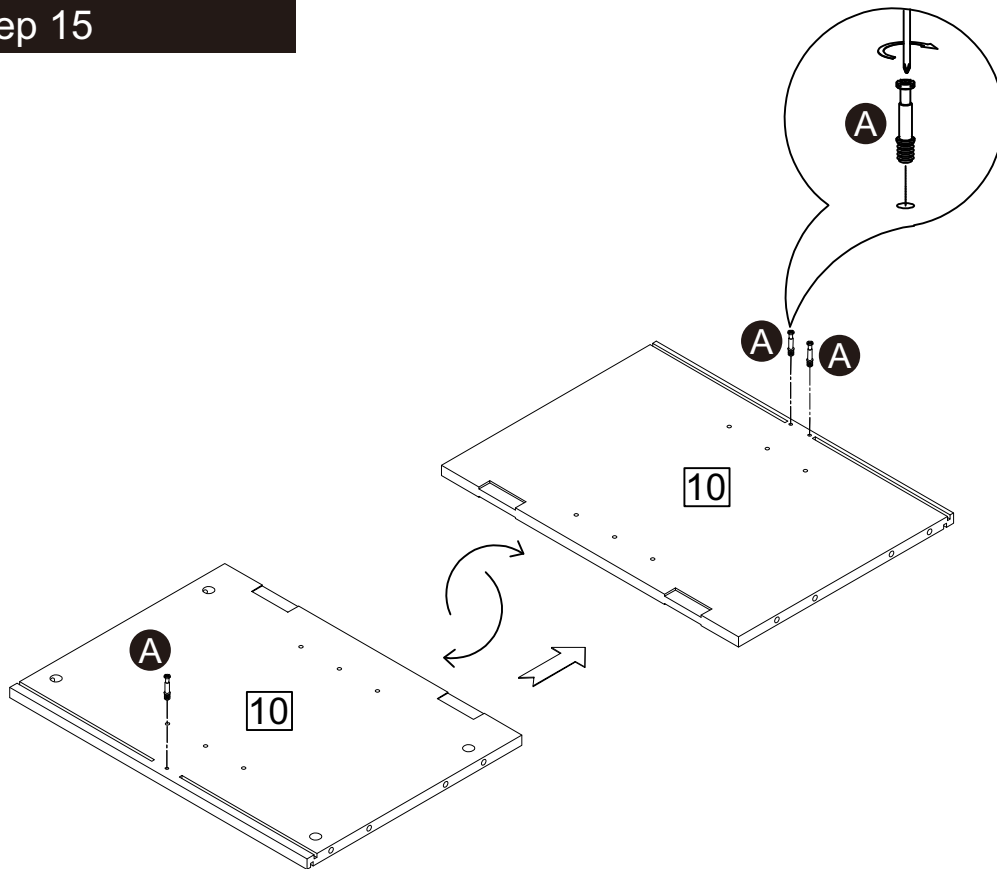


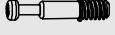
## Step 14



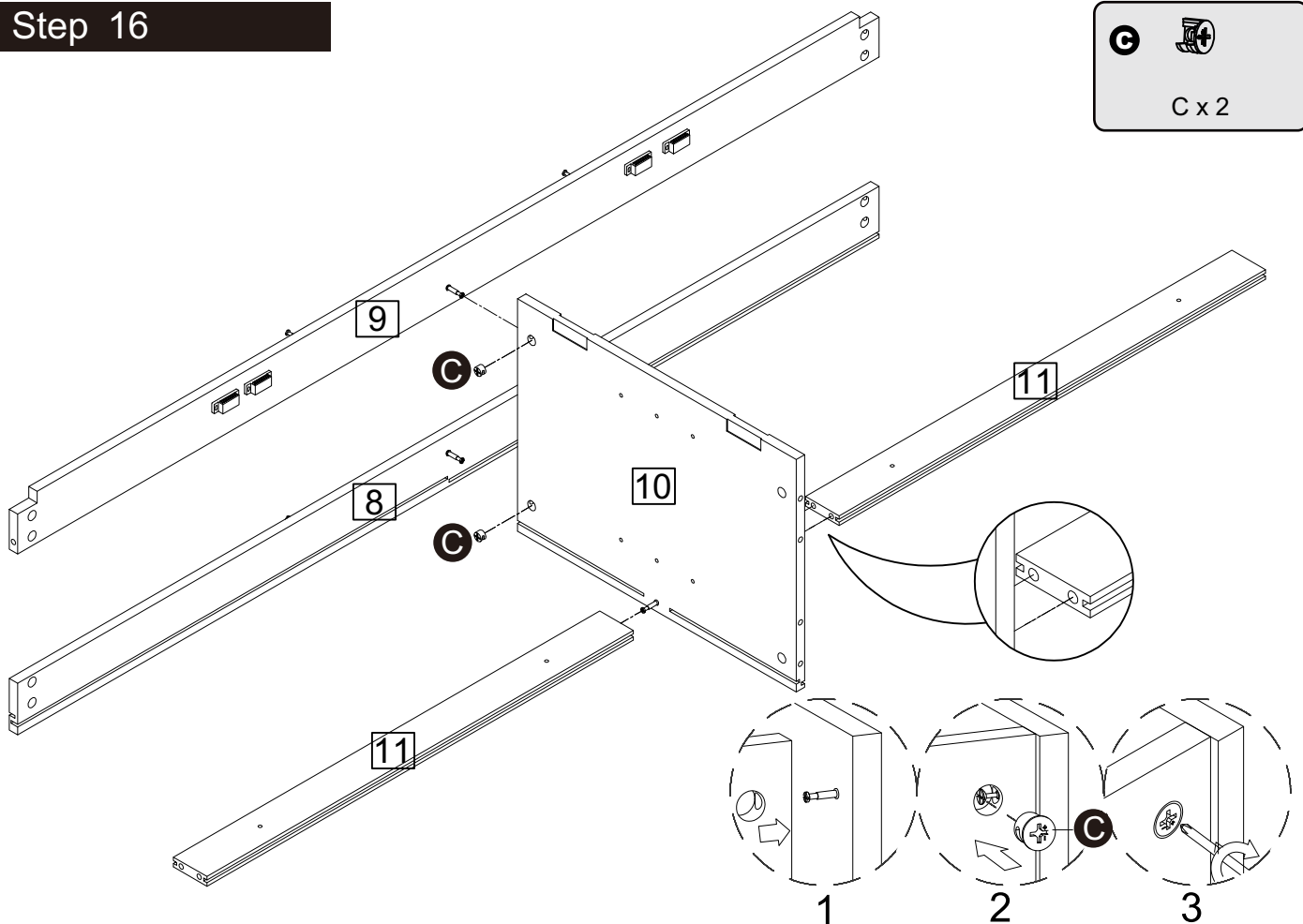
# Assembly Instructions

## Step 15



**A**   
A x 3

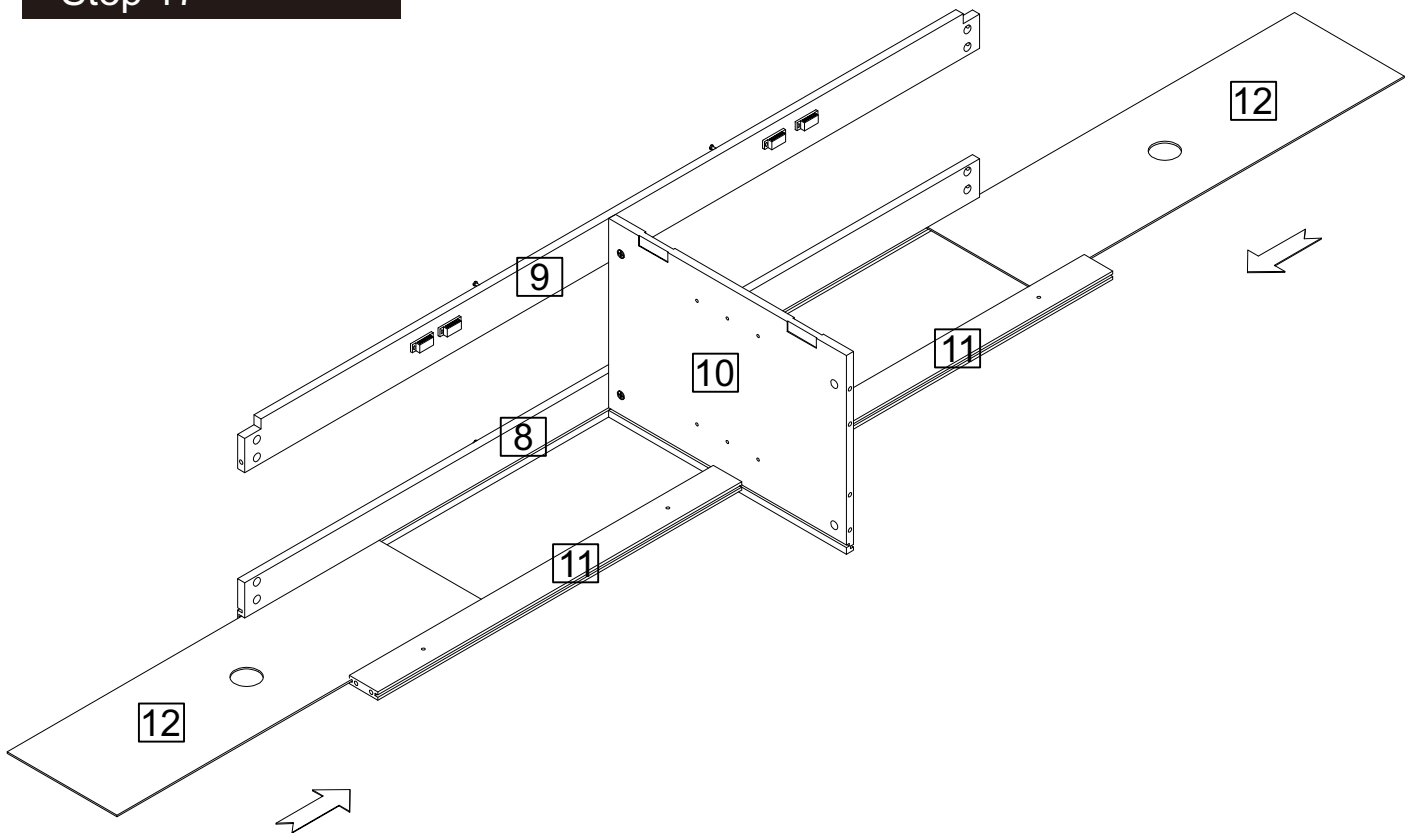
## Step 16



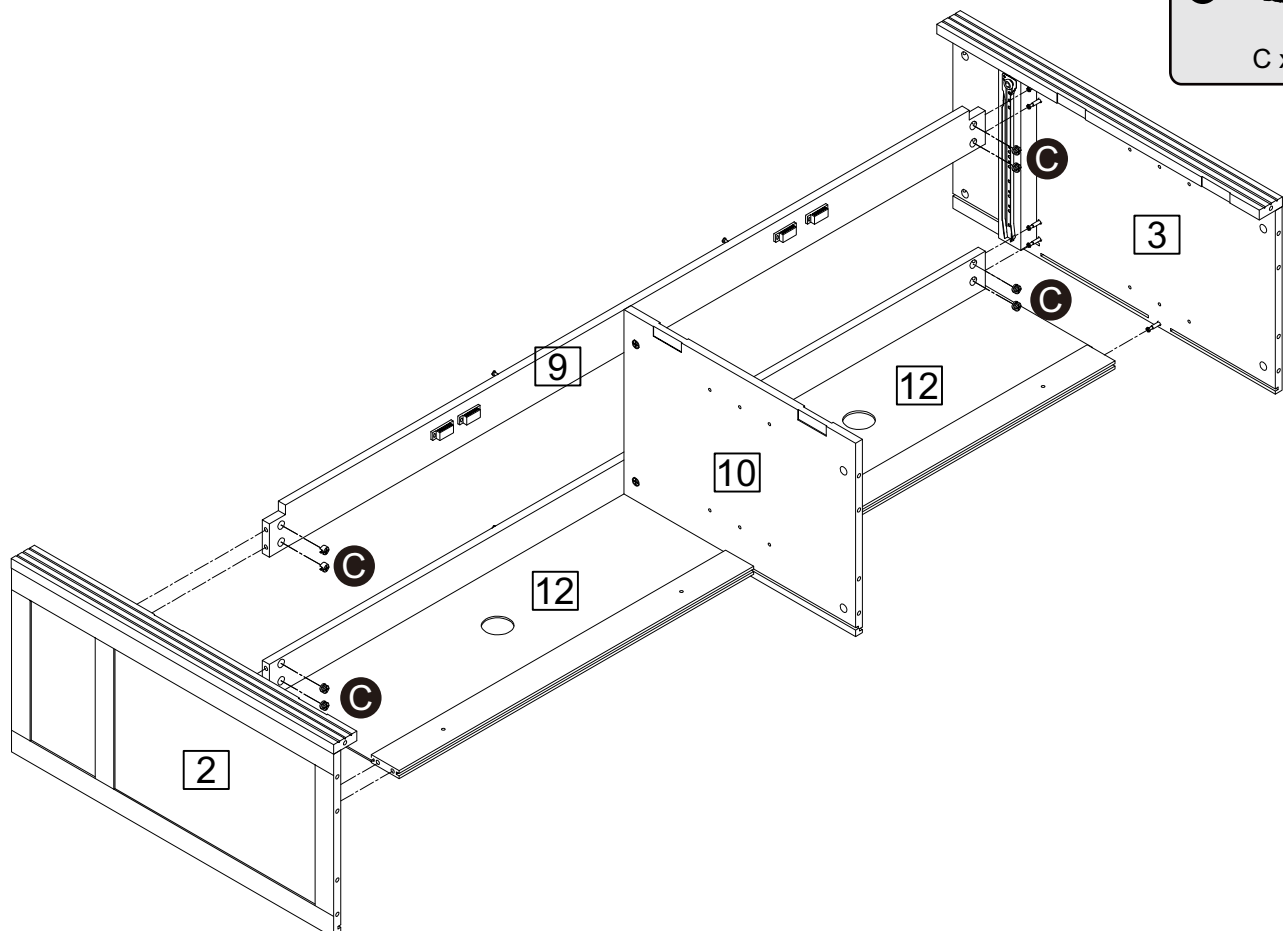
**C**   
C x 2

# Assembly Instructions

## Step 17

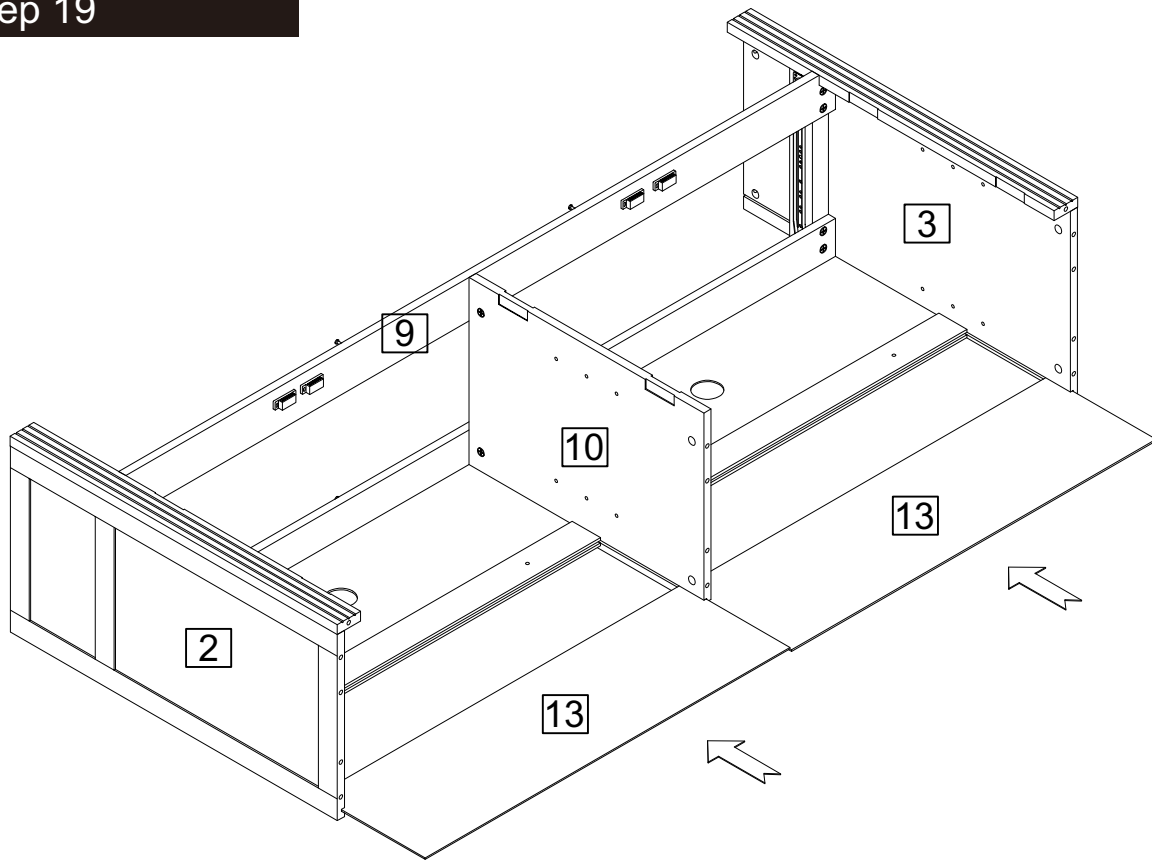


## Step 18

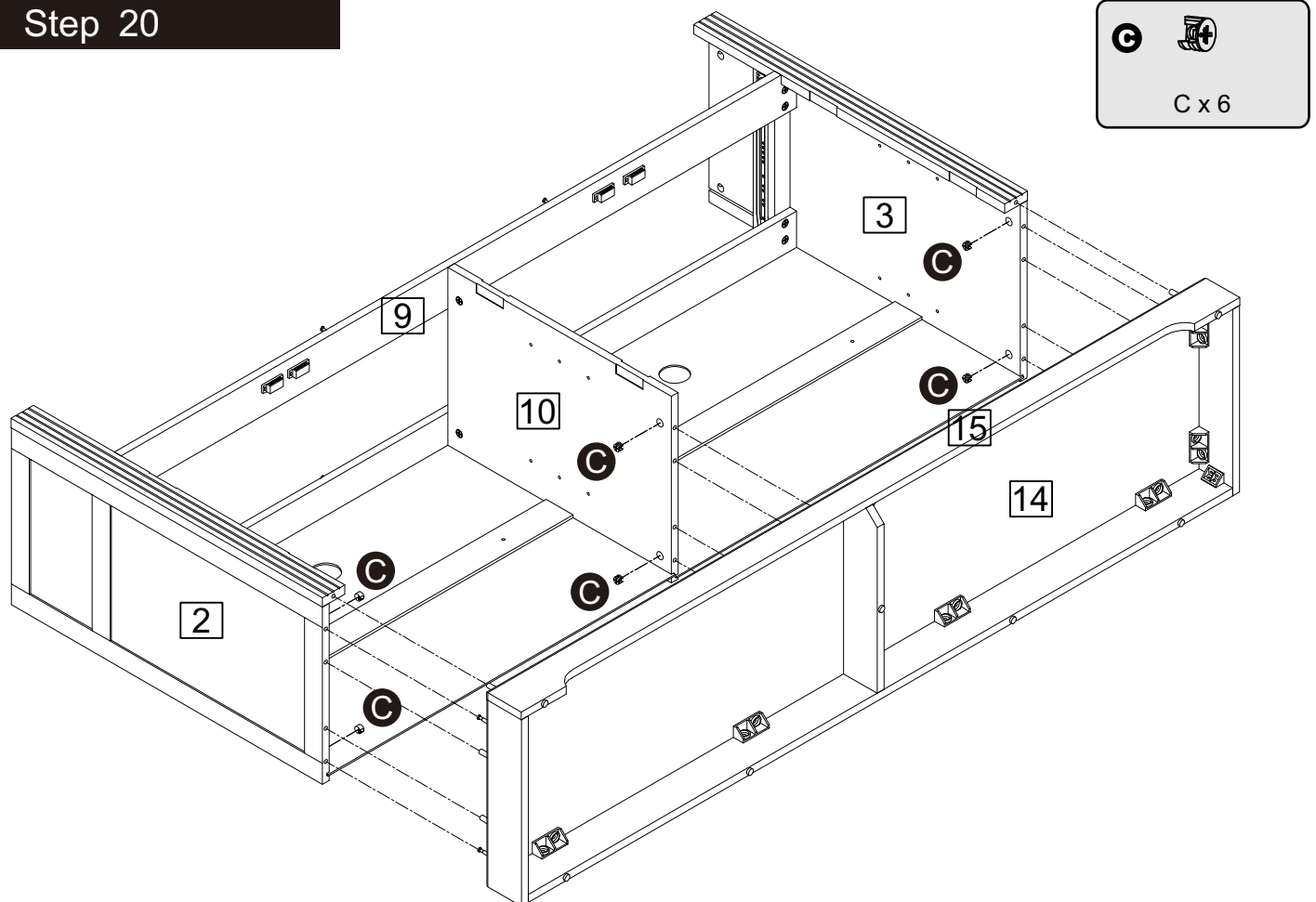


# Assembly Instructions

## Step 19

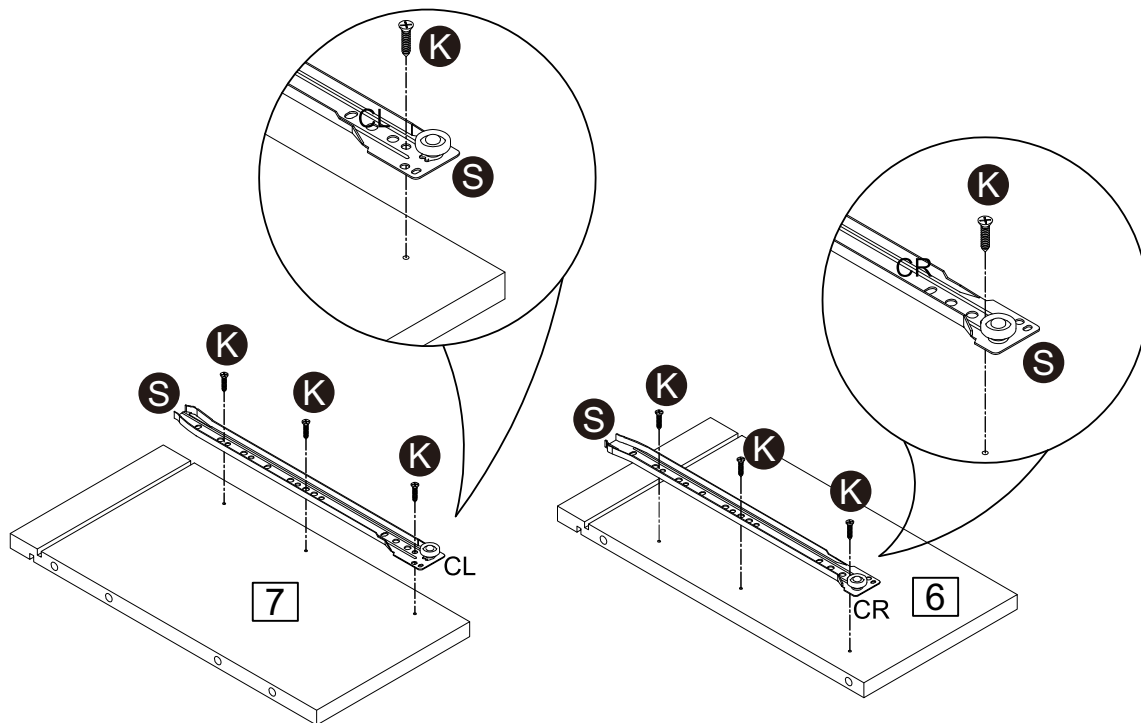
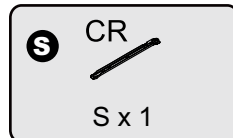
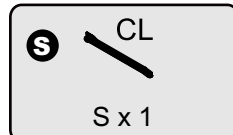


## Step 20

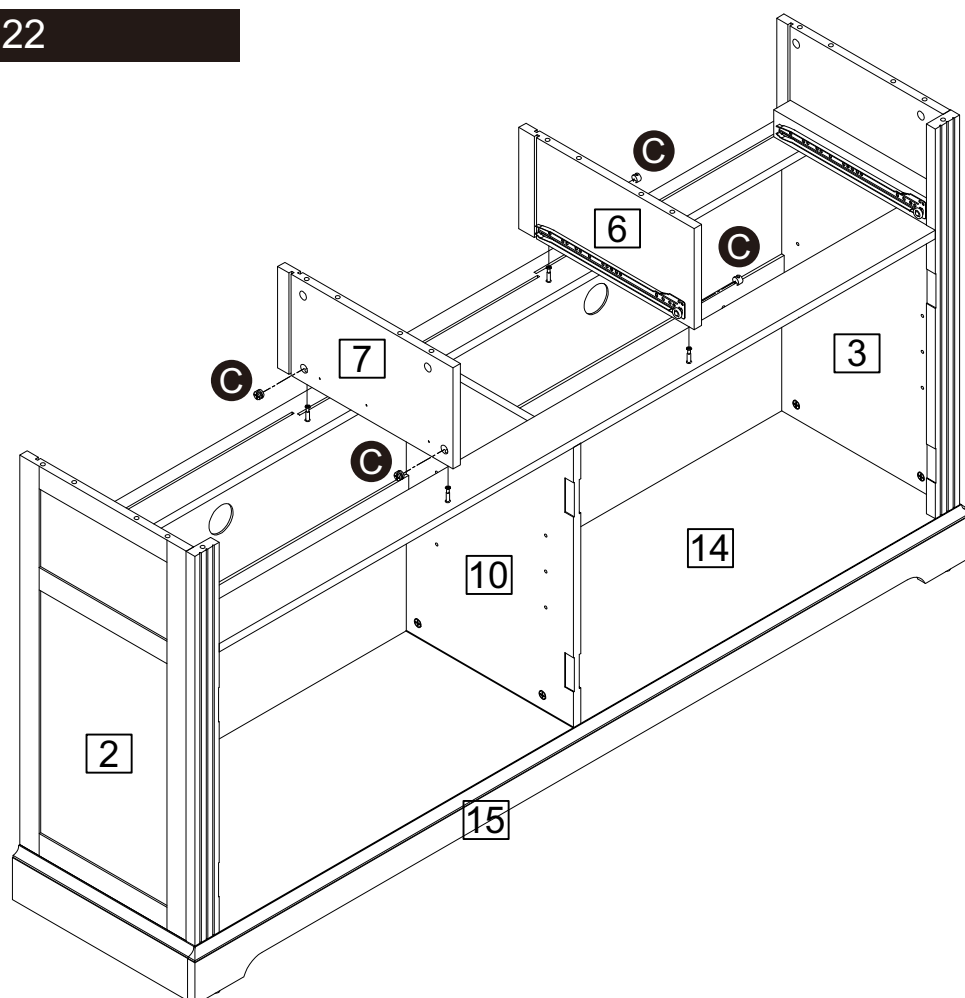
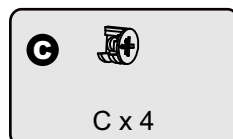


# Assembly Instructions

## Step 21

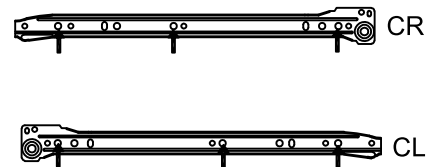
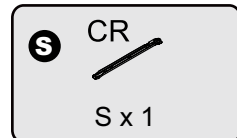
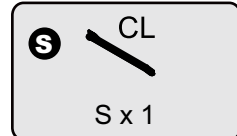
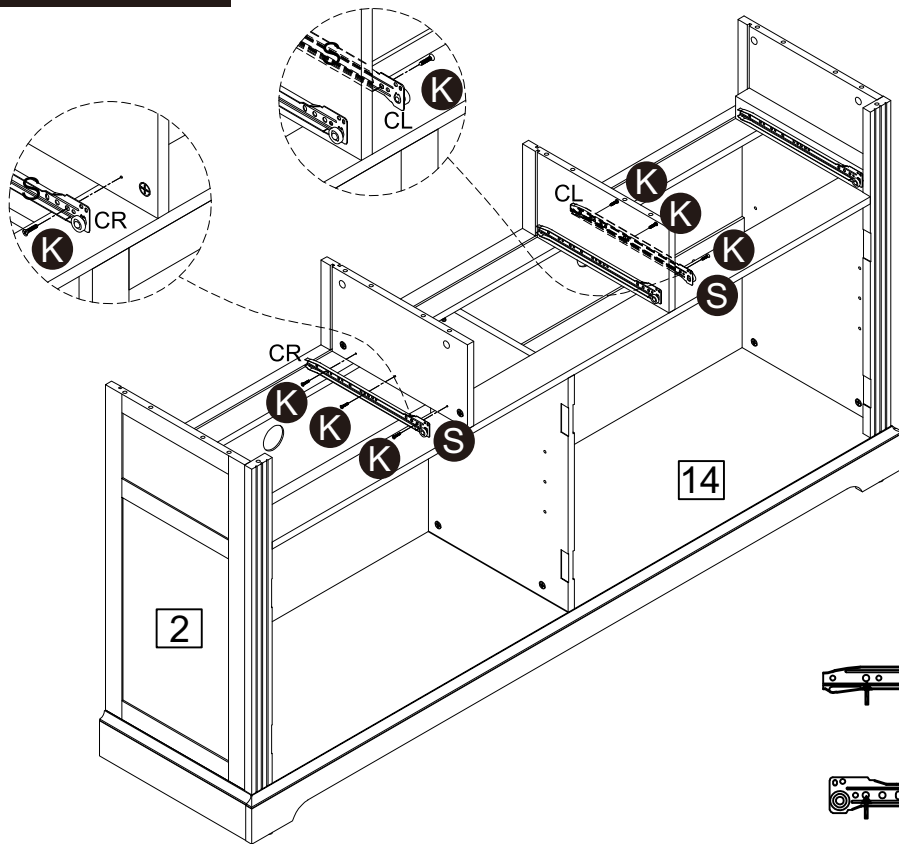


## Step 22

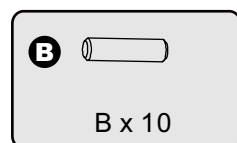
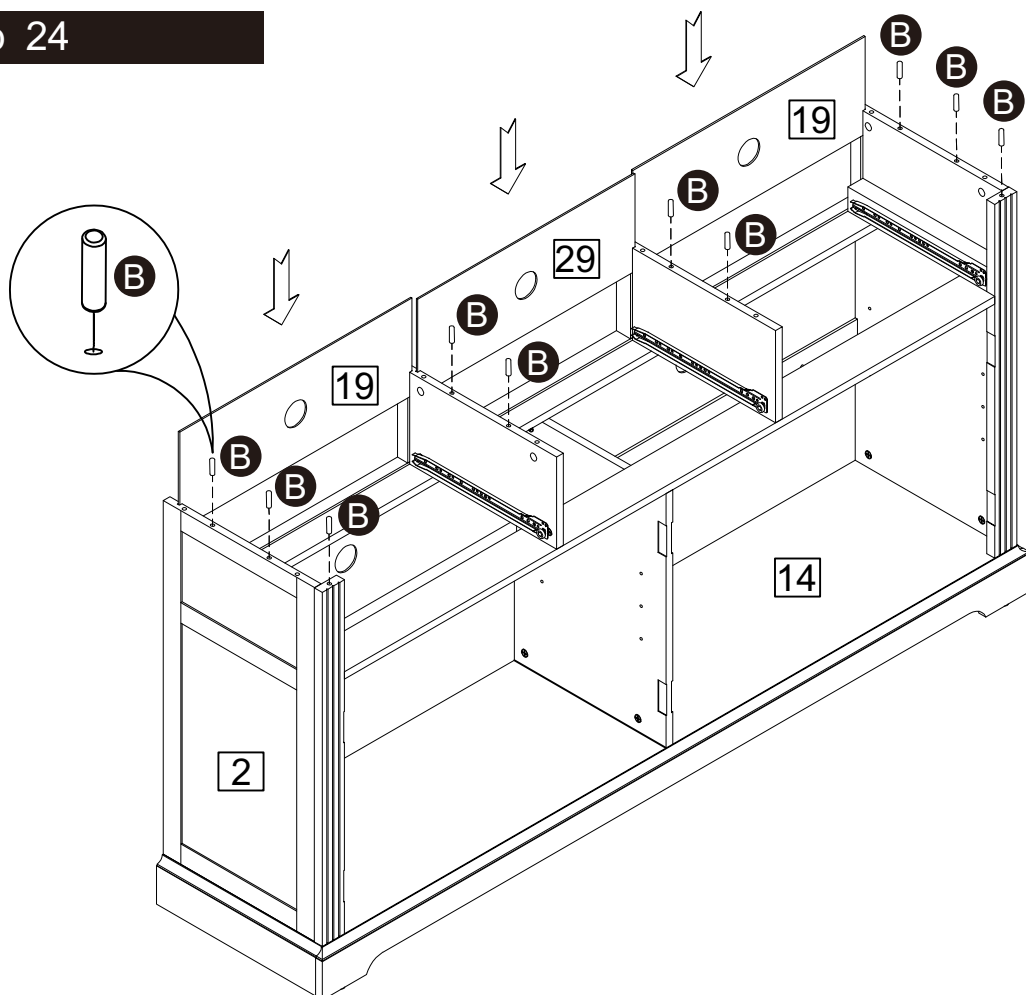


# Assembly Instructions

## Step 23

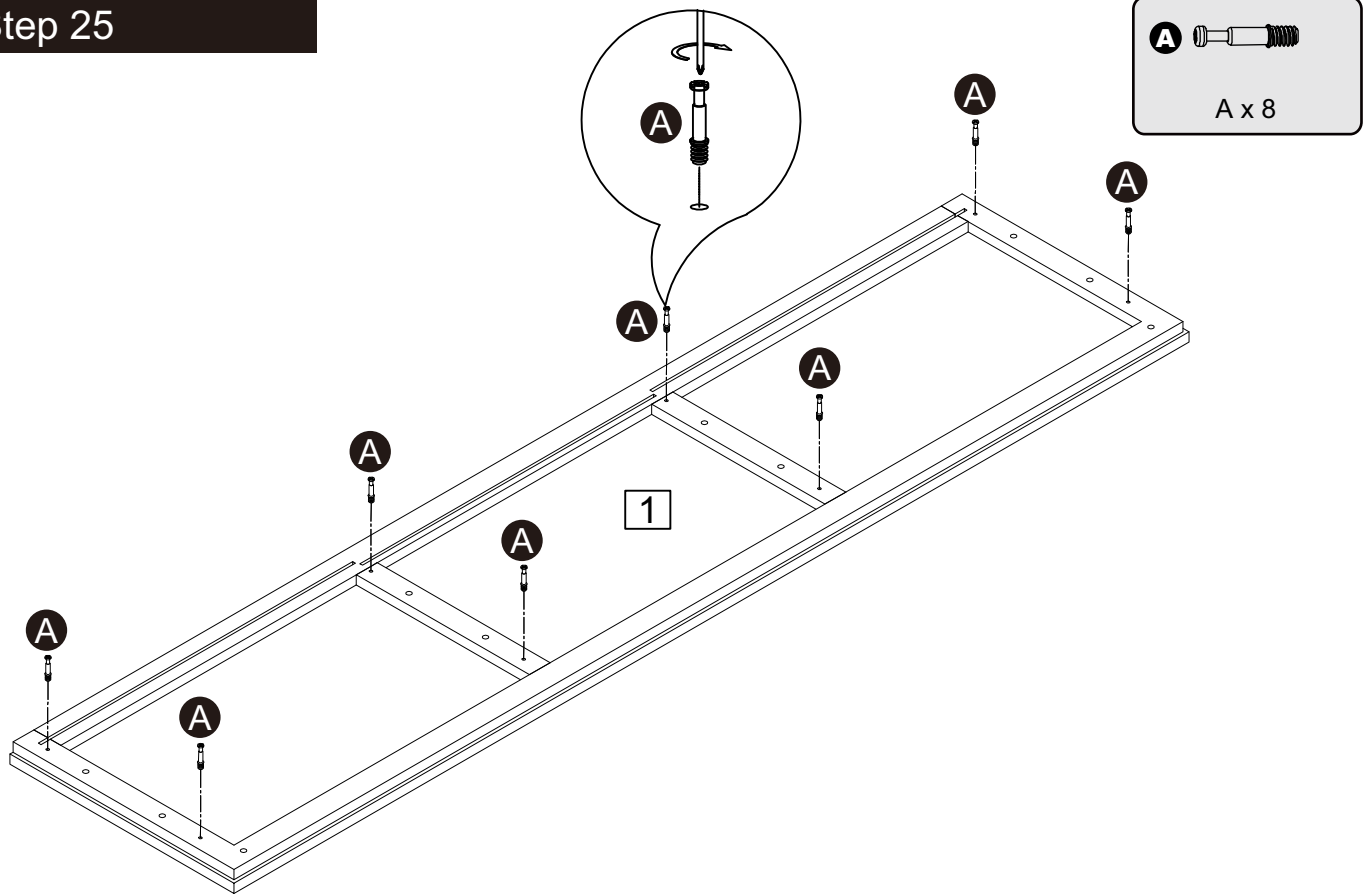


## Step 24

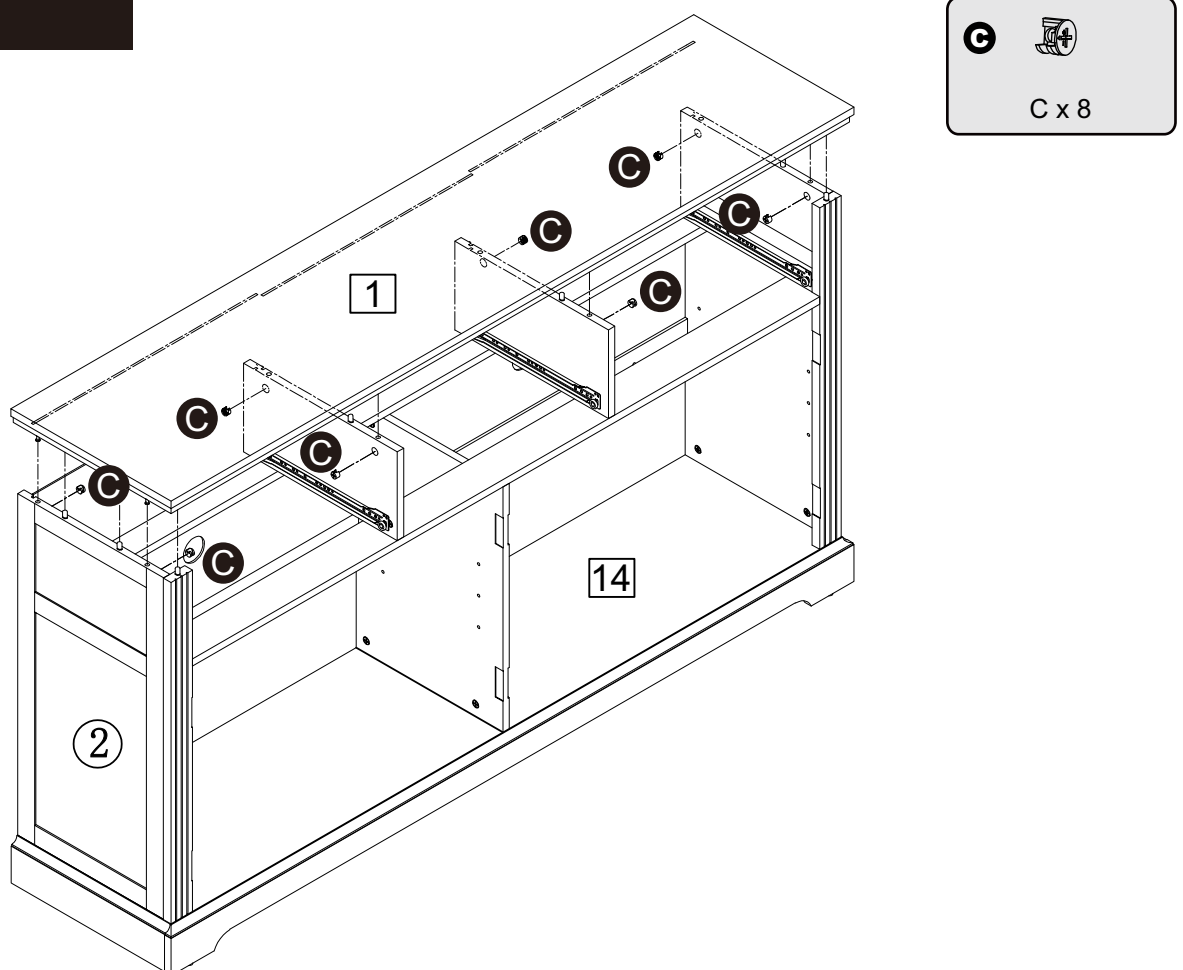


# Assembly Instructions

## Step 25

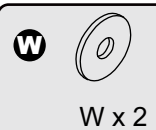
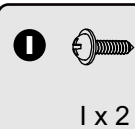
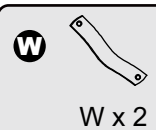
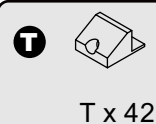
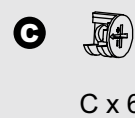
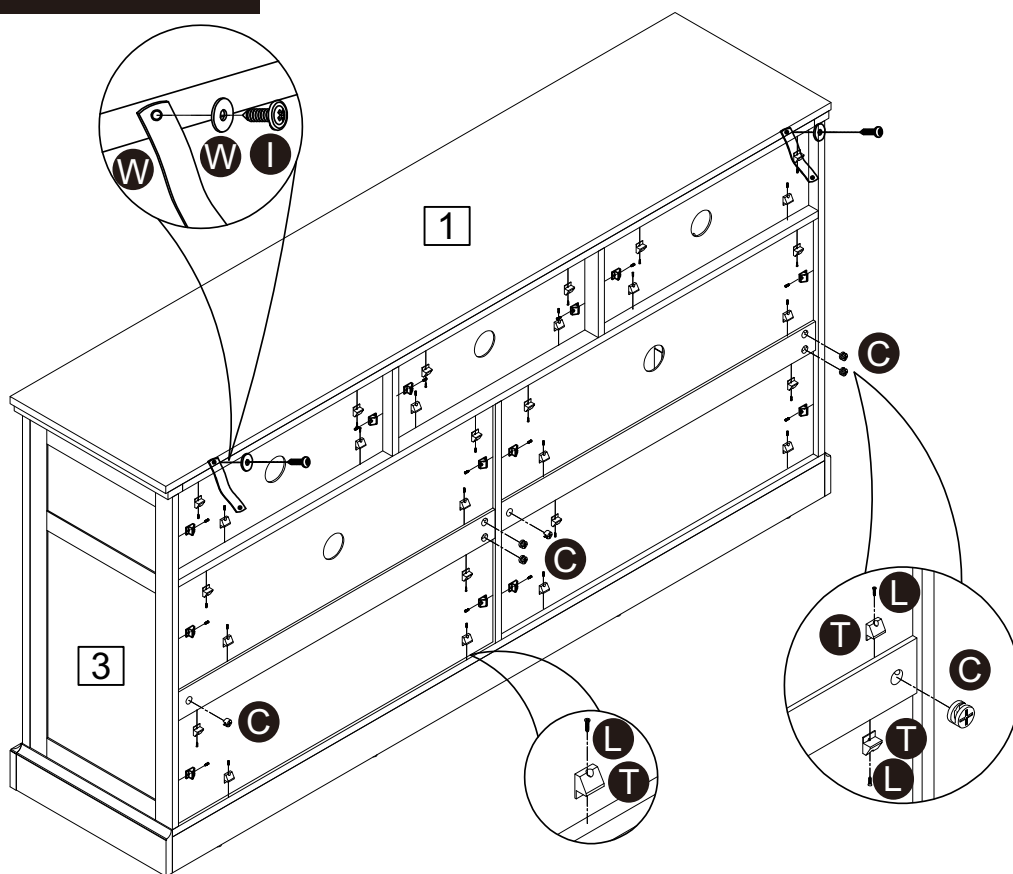


## Step 26

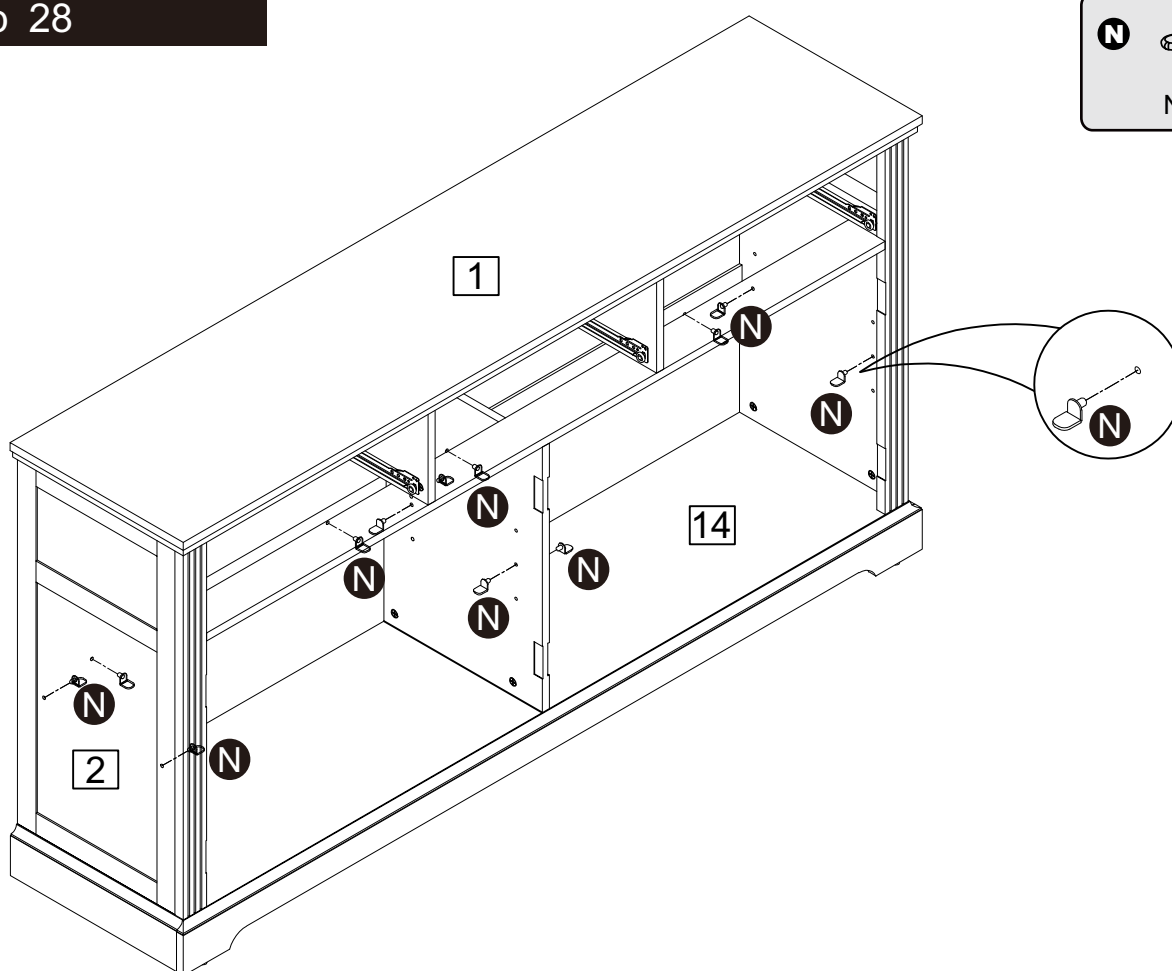


# Assembly Instructions

## Step 27

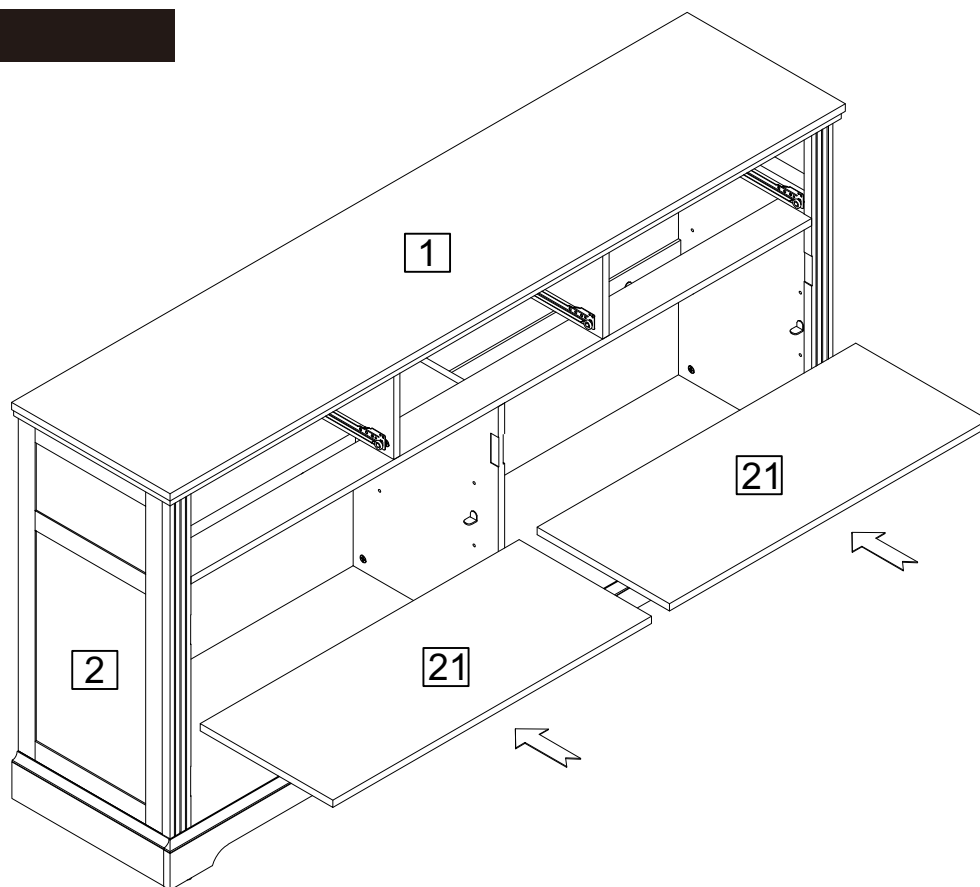


## Step 28

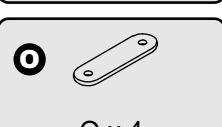
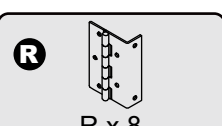
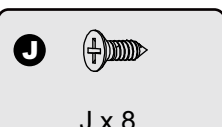
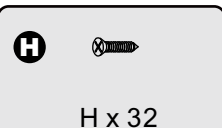
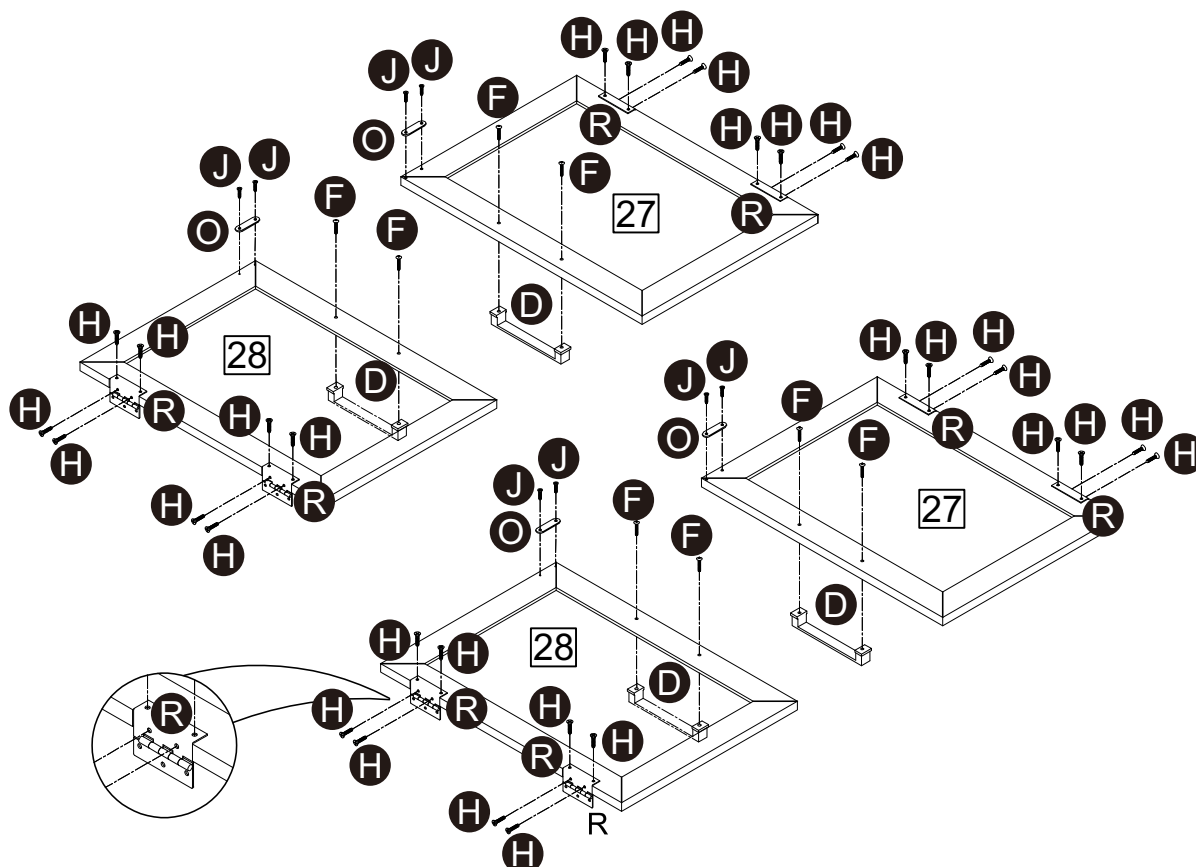


# Assembly Instructions

## Step 29

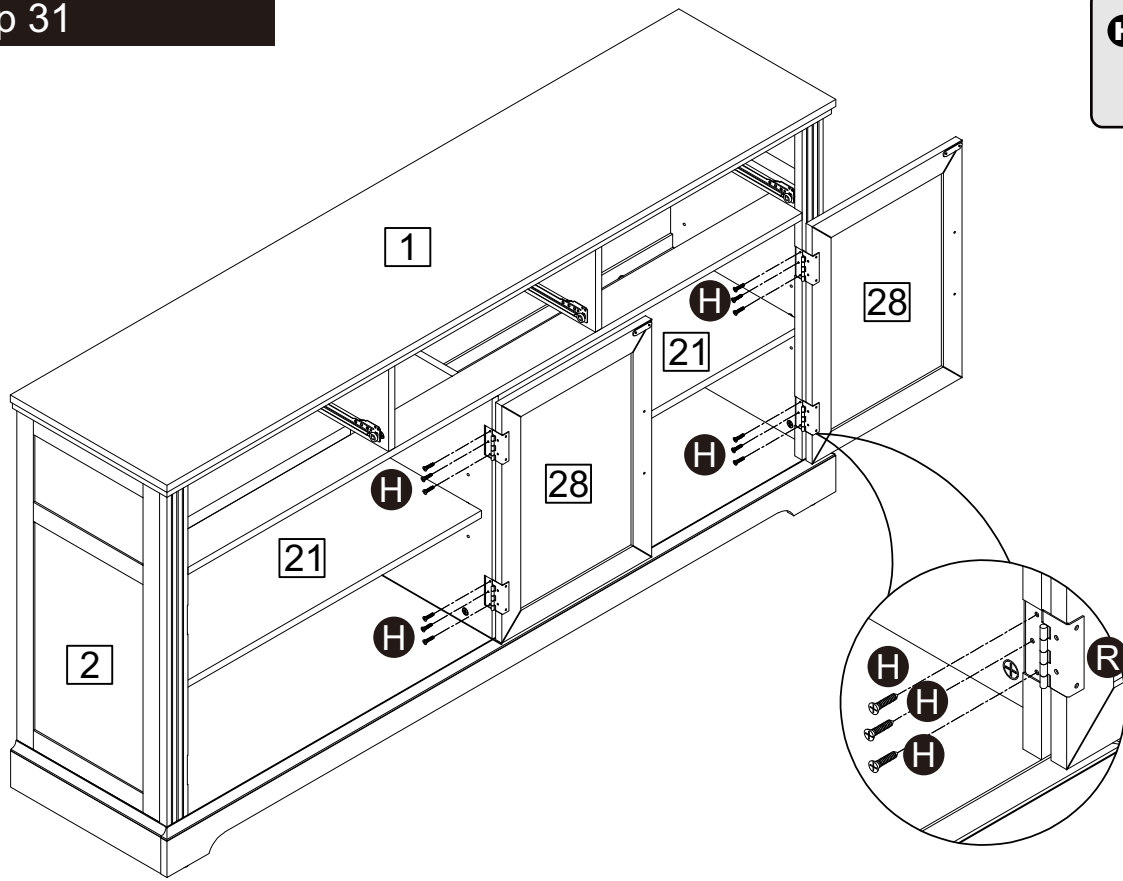


## Step 30



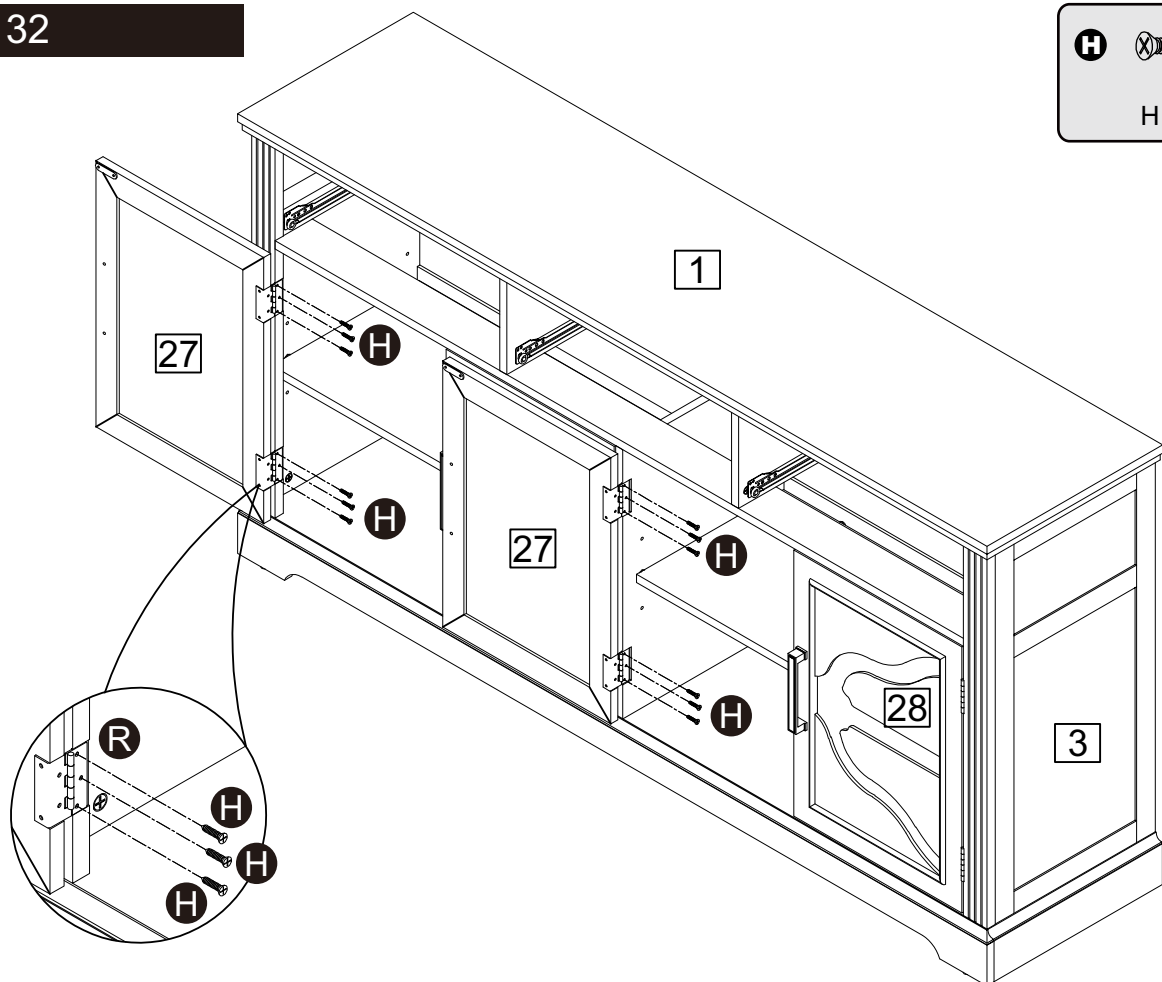
# Assembly Instructions

## Step 31



**H**   
H x 12

## Step 32



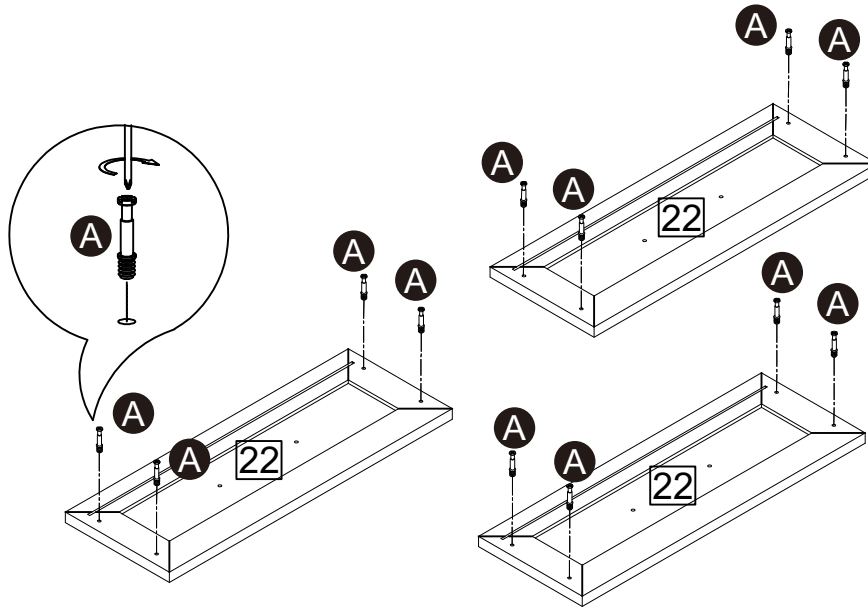
**H**   
H x 12

# Assembly Instructions

## Step 33



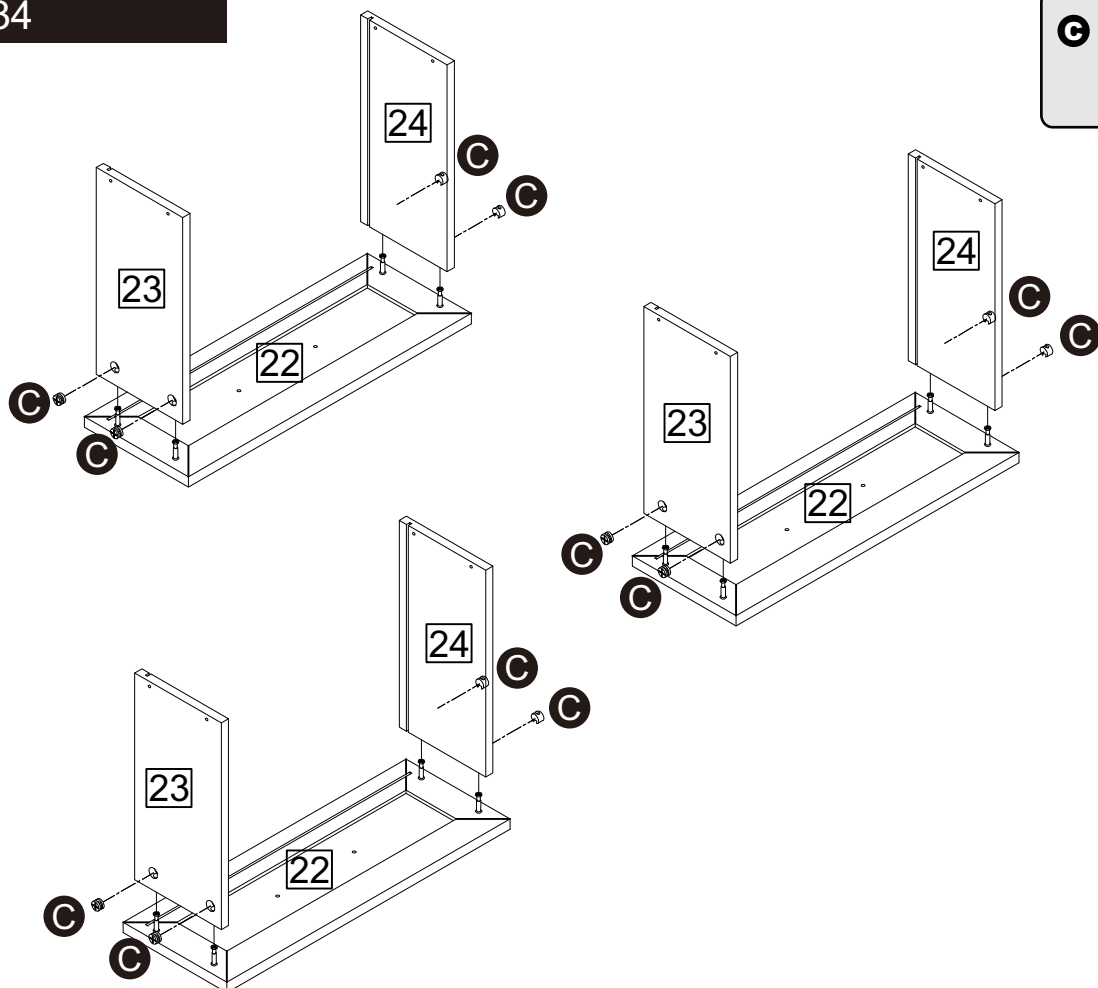
A x 12



## Step 34

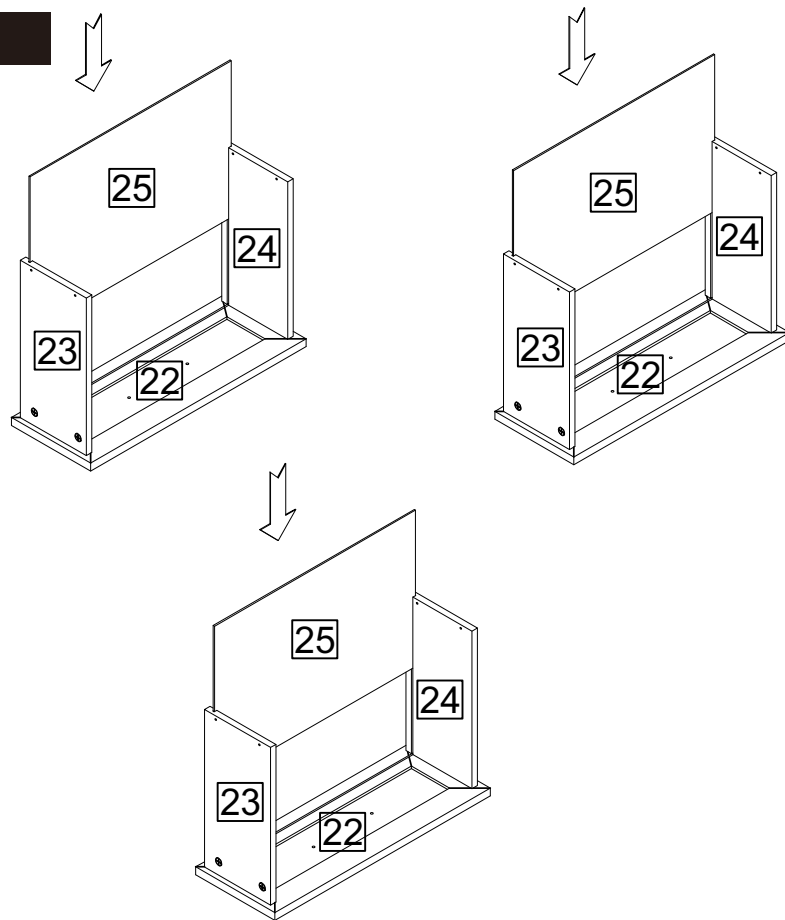


C x 12

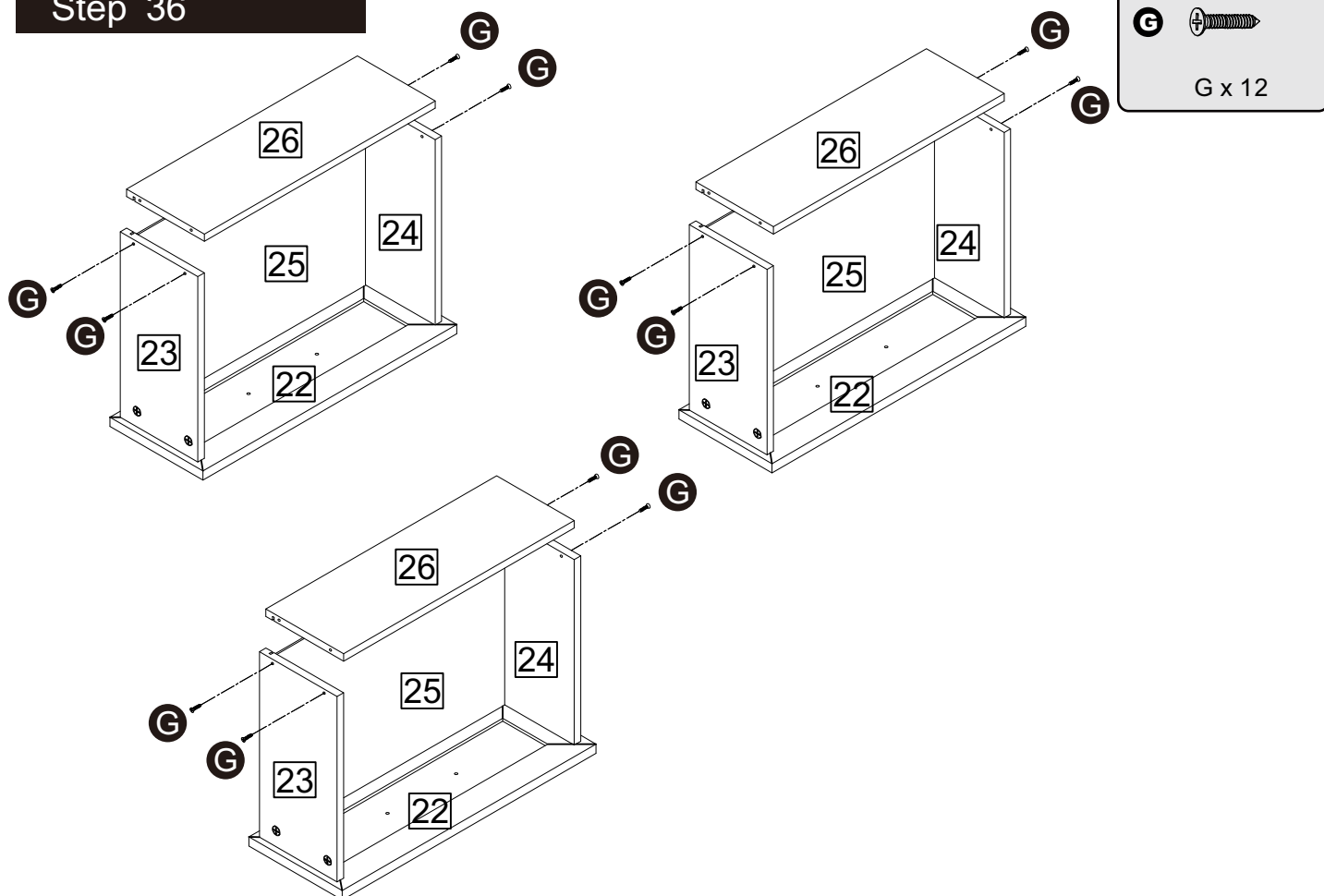


# Assembly Instructions

## Step 35

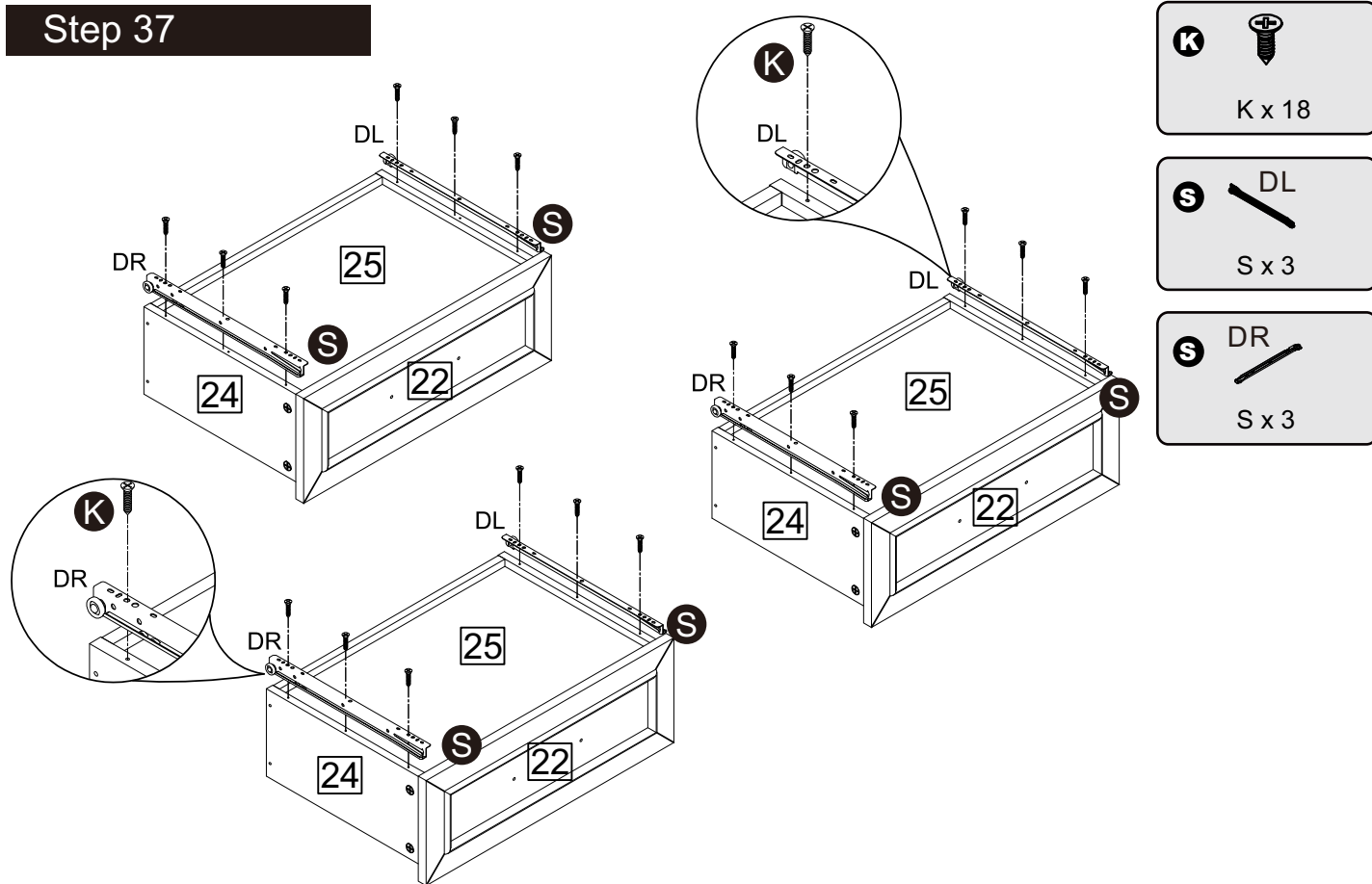


## Step 36

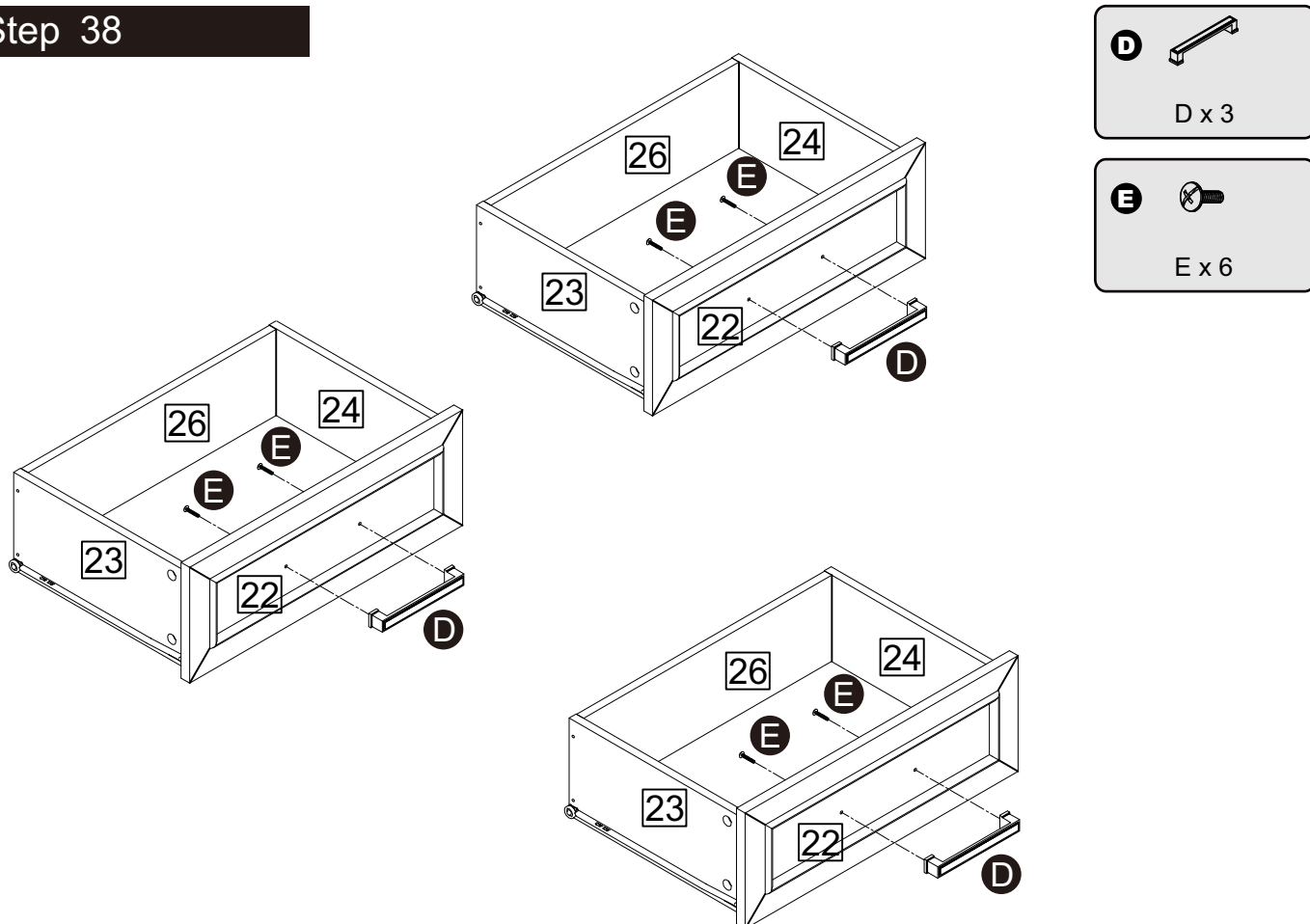


# Assembly Instructions

## Step 37



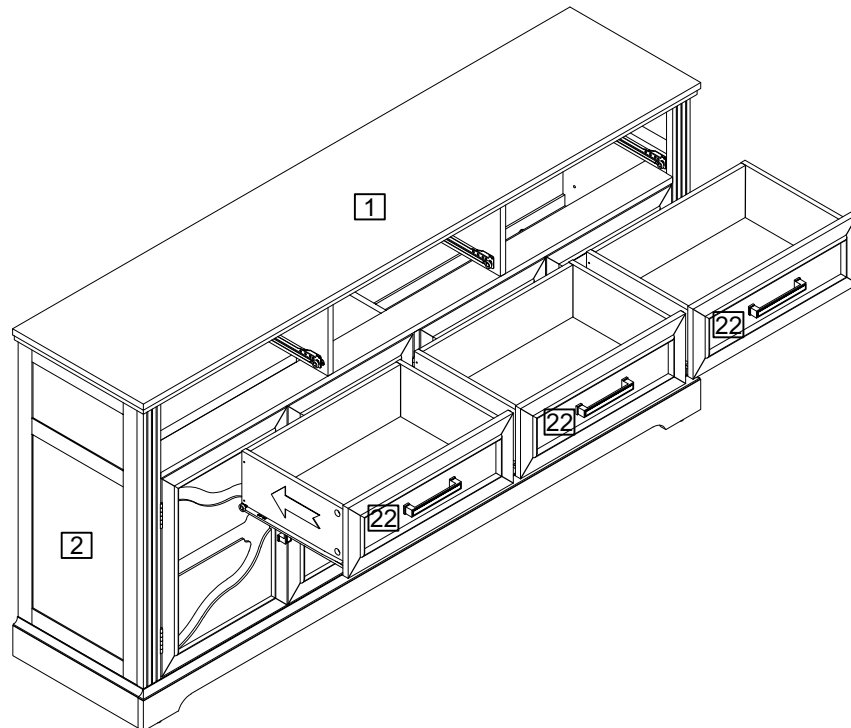
## Step 38



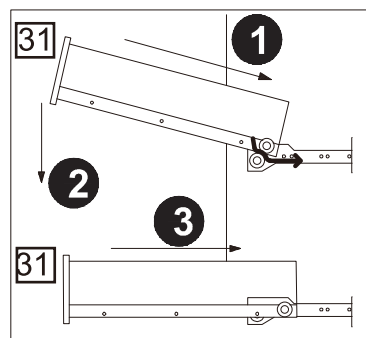
# Assembly Instructions

## Step 39

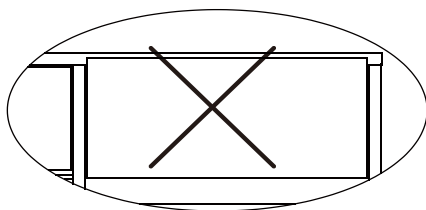
Congratulation! You've made to the last step! But don't be too thrilled yet, put on the drawer can be frustrating if you do it wrong. So, take your time and follow the steps below.



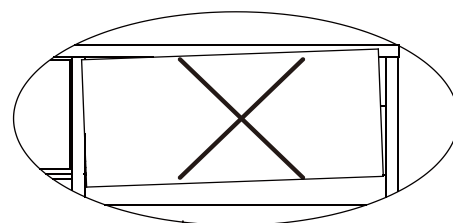
1. Please ensure that you have matched the wheels on BOTH sides of the drawer with the wheels on rails installed BEFORE push in the drawer.



2. If the following occurs, redo the first **two** step.



(both wheel are off the rails)



(one wheel is off the rail)

# Assembly Instructions

## Step 40

