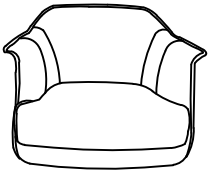
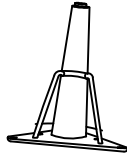


# ASSEMBLY INSTRUCTIONS



Ax1



Bx2  
FRONT LEG



Cx2  
BACK LEG

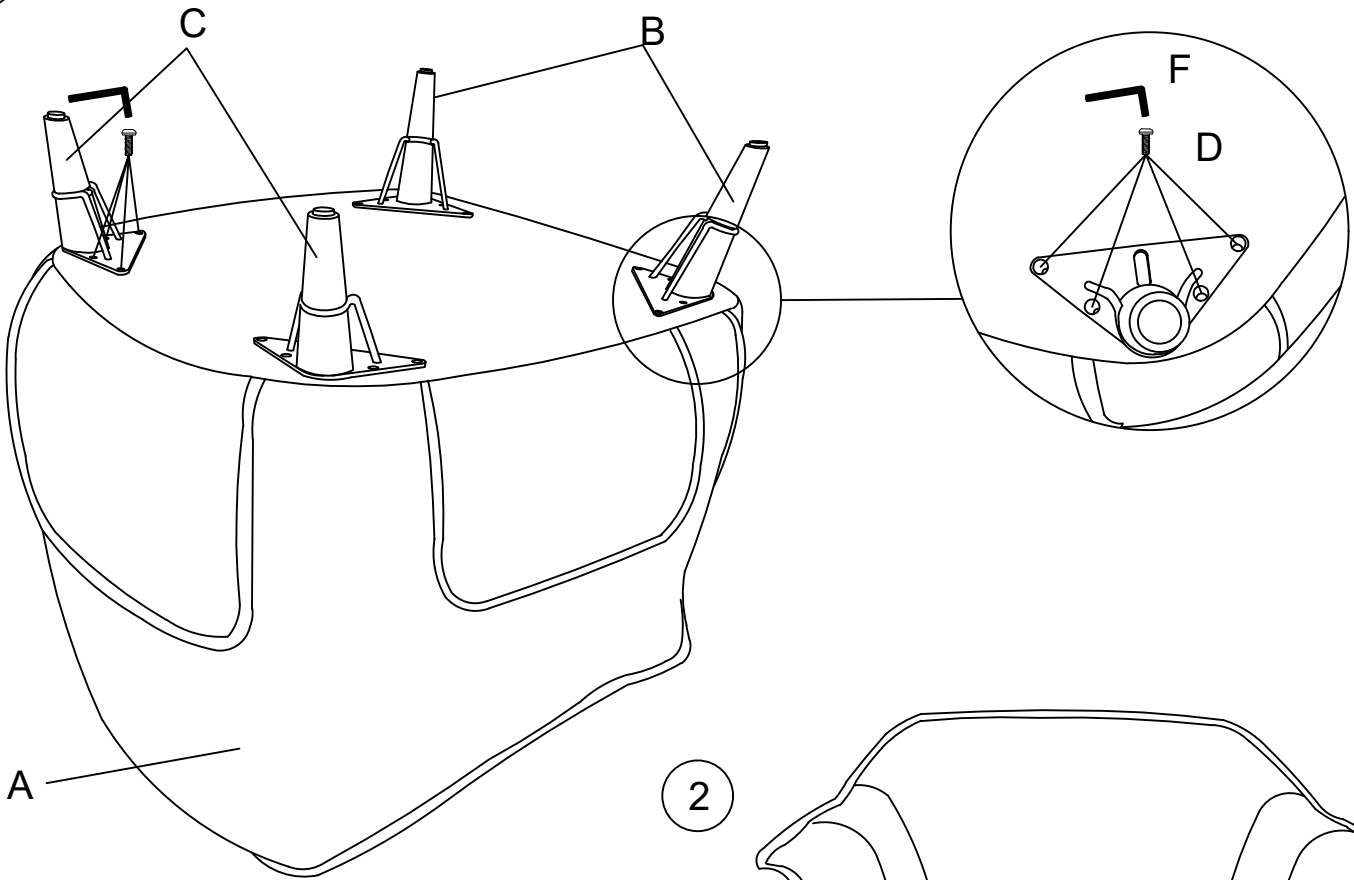


Dx16



Fx1

1



2

