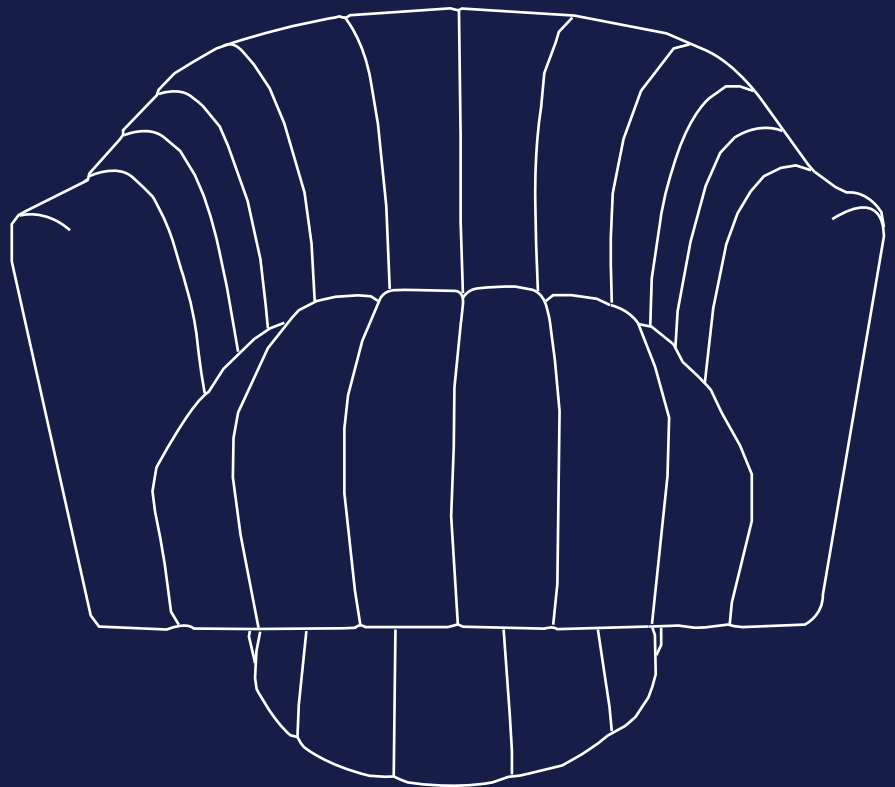

INSTRUCTION MANUAL



SWIVEL BARREL ACCENT SOFA

Customer Service Team

We are honored that when it comes to furnifure, you think of us. There are multiple choices out there but you singled us. We appreciate your choosing to do your shopping with us and want to be certain that you're satisfied with your transaction. We hope you enjoy our product as much as we enjoy creating the brand that you think of first.

If you have any questions, please contact us through Amazon. If you are satified with the product, after receiving the package, you can share your shopping experience with others. Thank you very much. Have a nice day.

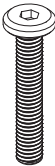
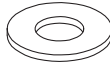
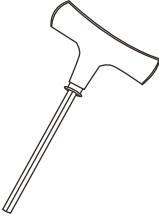
⚠ NOTICE

- Prior to first usage check to confirm all bolts, screws, and fasteners are tightened.
- We recommend periodically checking that all bolts, screws, and fasteners are securely tightened. We suggest doing this every 90 days.
- During assembly do not fully tighten screws until assembly complete.
- Do not store this product near an open flame or combustible or flammable chemicals.
- Carefully inspect all parts prior to assembly to avoid any component which might have a sharp or unfinished edge.
- During inspection should you notice any component which is damaged or worn, replace it before resuming use.
- Do not use this item in a way inconsistent with the manufacturer's instructions as this could void the product warranty.

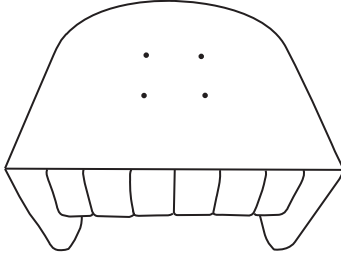
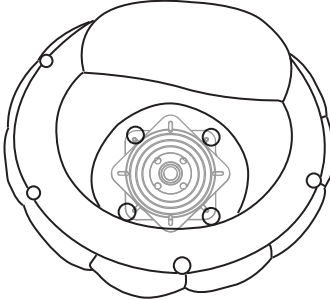
TOOLS PROVIDED



SCREW BAG

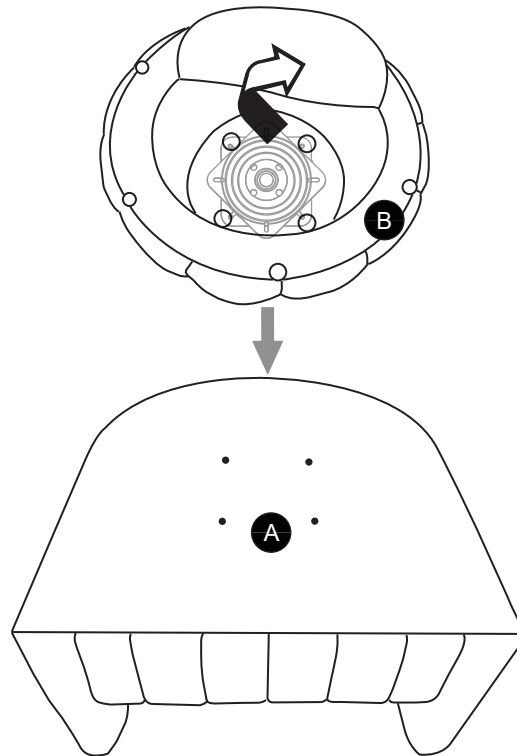
<p>D Screws</p>  <p>M6x35 4pcs</p>	<p>E Pads</p>  <p>M6 4pcs</p>	<p>F Wrench</p>  <p>1pc</p>
---	--	---

PARTS

<p>A Seat</p>  <p>1pc</p>	<p>B Base and Turnplate</p>  <p>1pc</p>
---	--

1

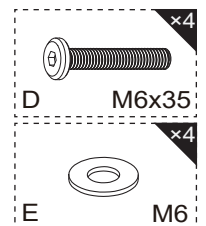
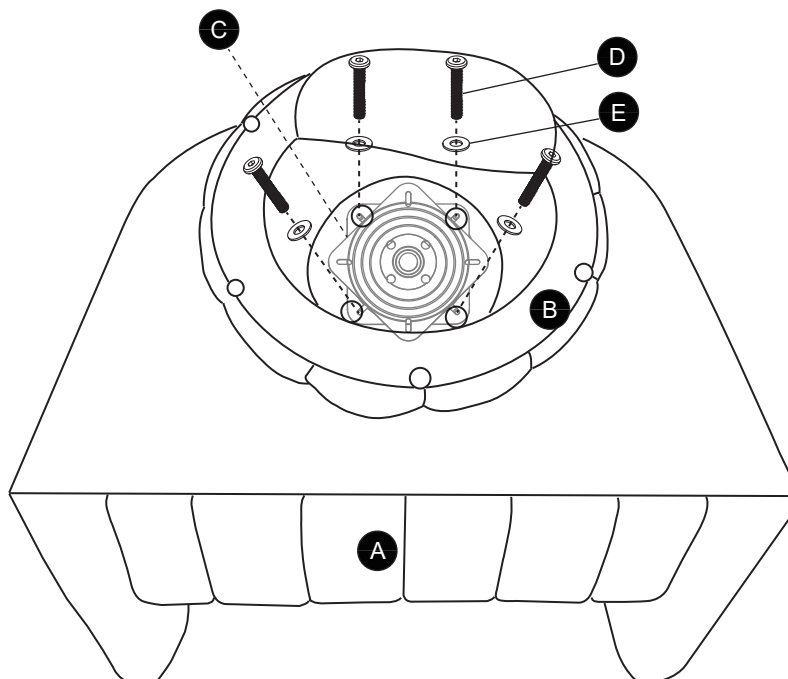
Unzip and then align the screw holes.



2

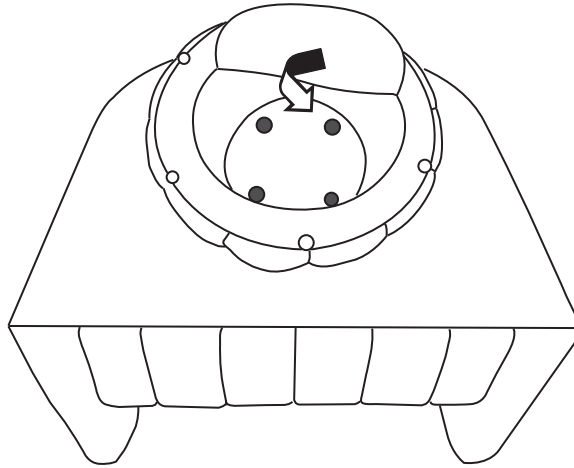
Using Wrench, attach Turnplate(C) to the Seat (A) with Screws (D)*4 and Pads (E)*4.

NOTE: Screws (D) are only tightened 60%.



3

Tighen all screws and then zip up.
You can enjoy the chair now.



4

