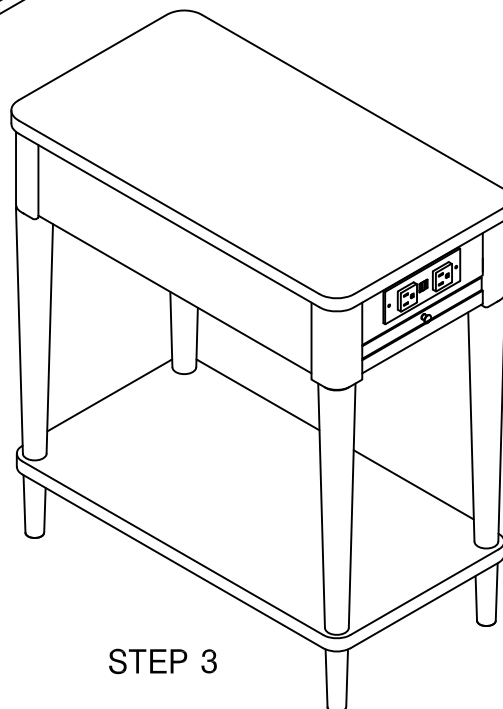
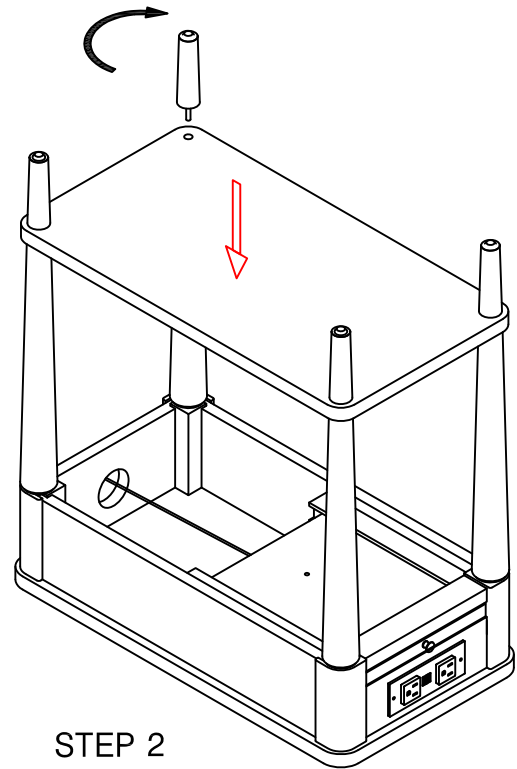
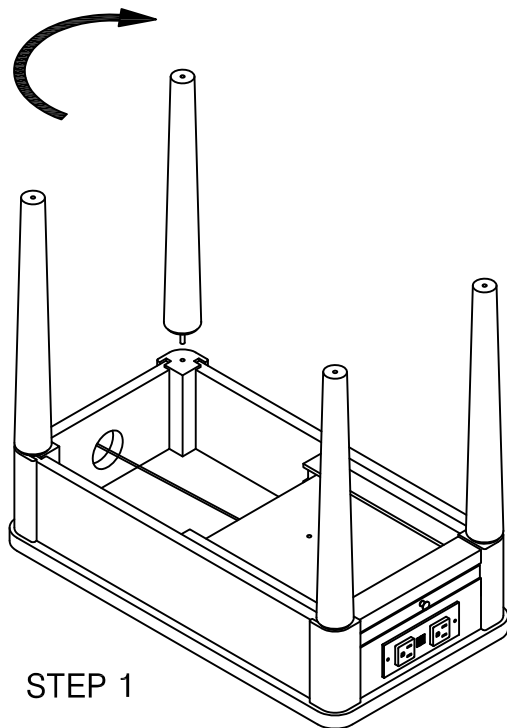


ASSEMBLY INSTRUCTION

CHARGING CHAIRSIDE



DO NOT TIGHTEN SCREWS
UNTIL COMPLETELY ASSEMBLED