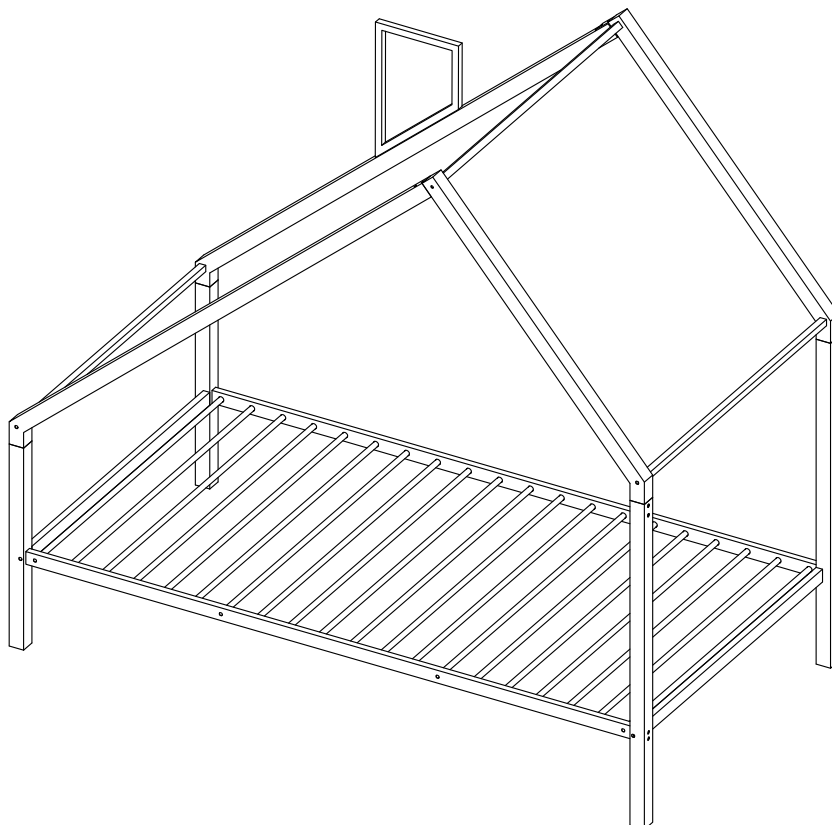
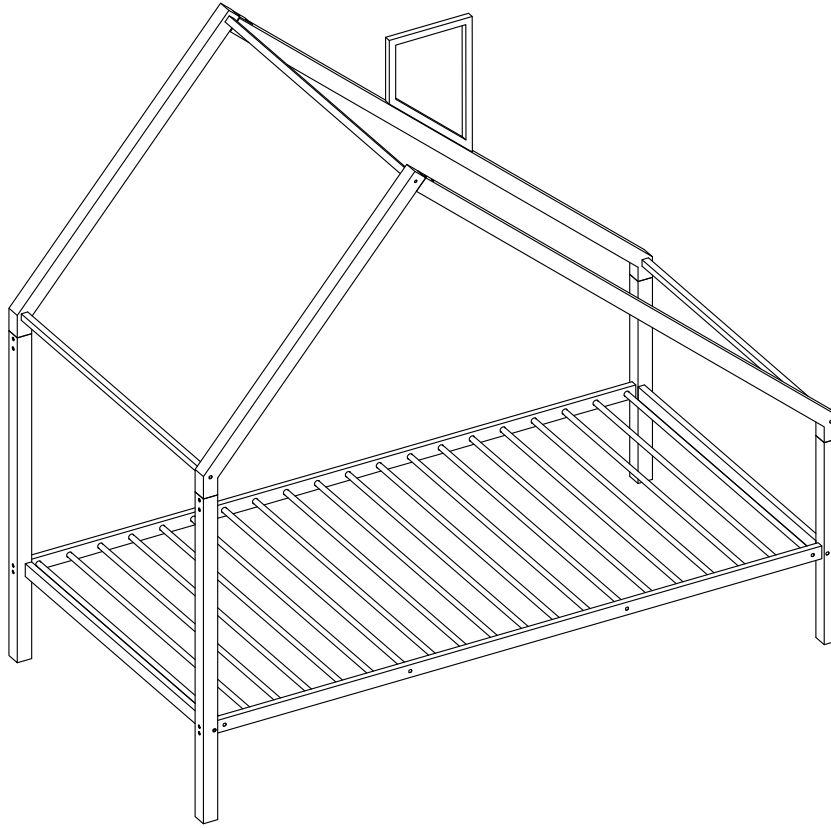
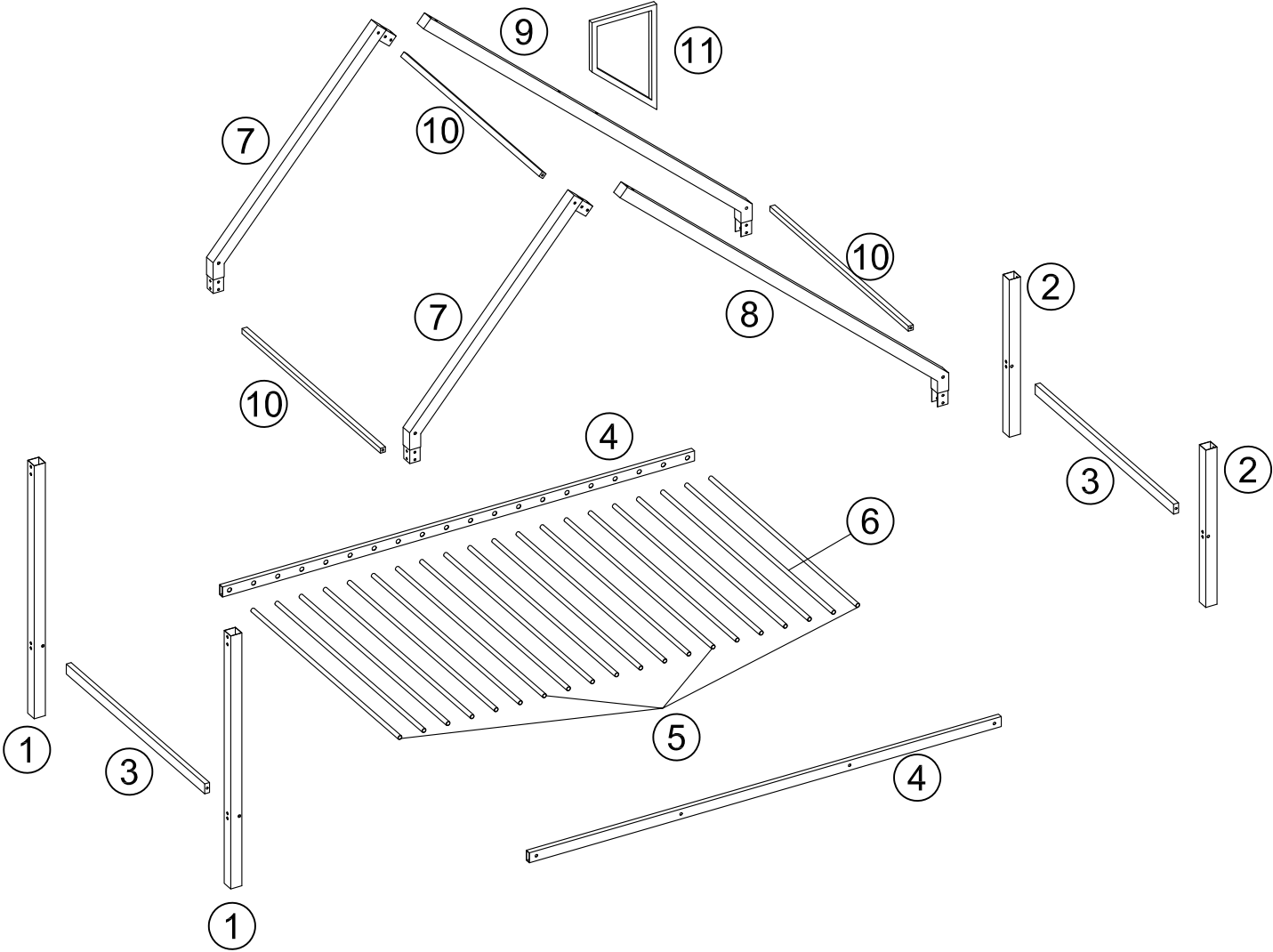


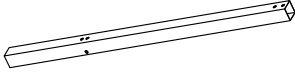
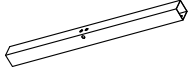
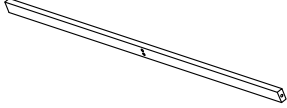
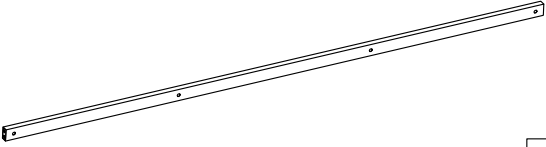
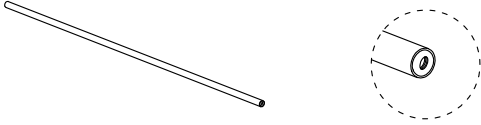
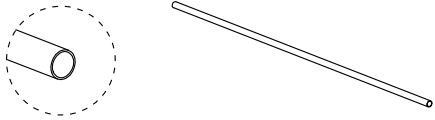
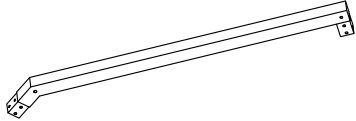
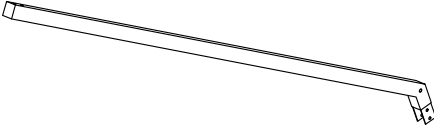
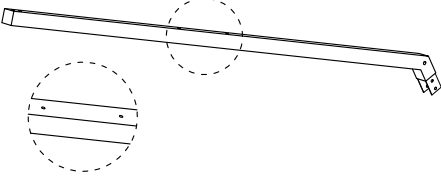

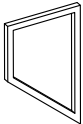
Assembly Instruction



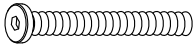
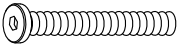




Parts List



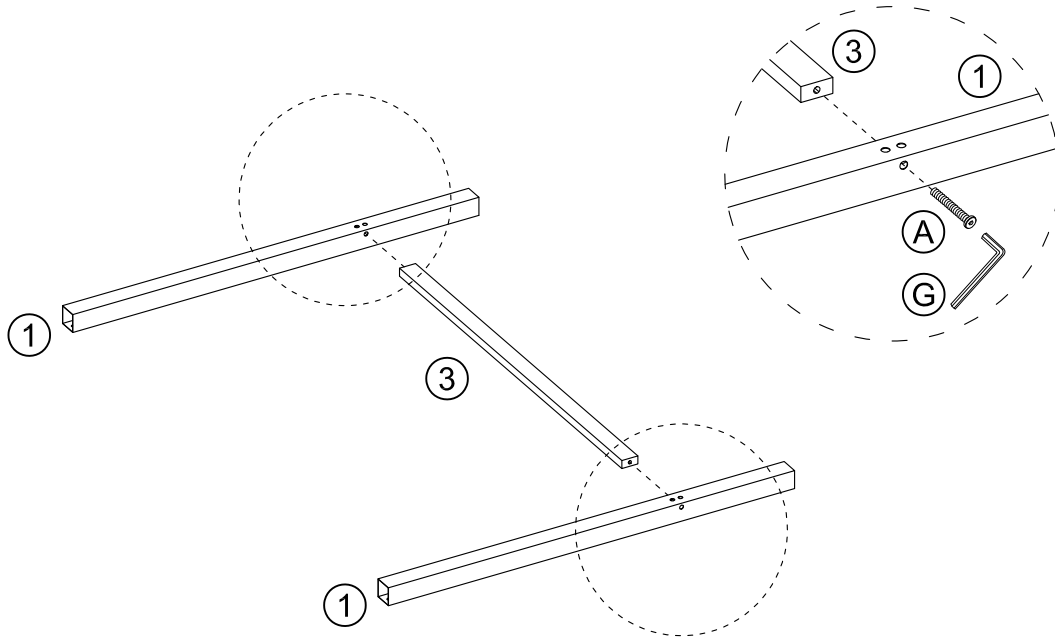
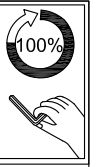
Parts List



<p>①</p>  <p>X2</p>	<p>②</p>  <p>X2</p>
<p>③</p>  <p>X2</p>	<p>④</p>  <p>X2</p>
<p>⑤</p>  <p>X4</p>	<p>⑥</p>  <p>X16</p>
<p>⑦</p>  <p>X2</p>	<p>⑧</p>  <p>X1</p>
<p>⑨</p>  <p>X1</p>	<p>⑩</p>  <p>X3</p>
<p>⑪</p>  <p>X1</p>	

Hardware

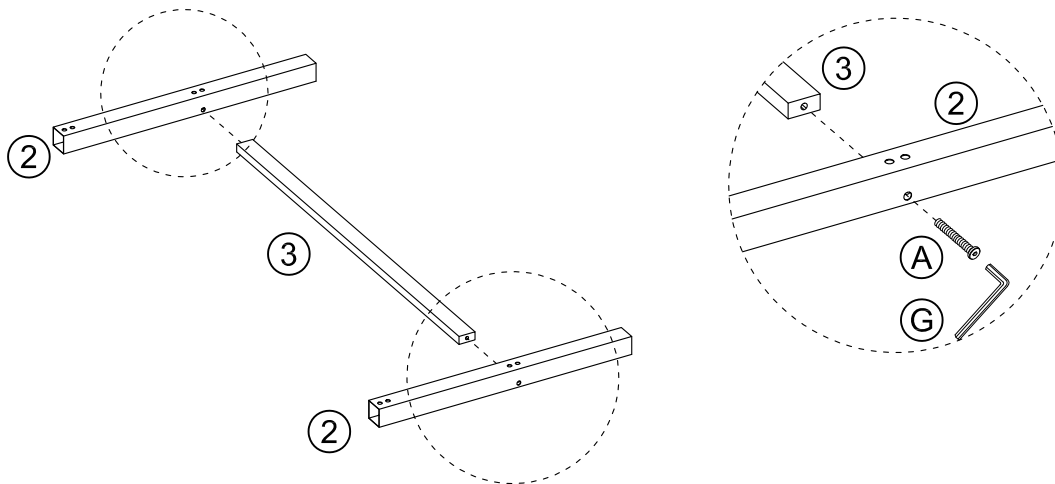
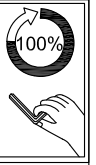
<p>A</p>  <p>M8×65mm</p> <p>X12</p>	<p>B</p>  <p>M8×60mm</p> <p>X8</p>	<p>C</p>  <p>M8×15mm</p> <p>X12</p>	<p>D</p>  <p>M6×15mm</p> <p>X8</p>
<p>F</p>  <p>M4</p> <p>X1</p>	<p>G</p>  <p>M5</p> <p>X1</p>		



1



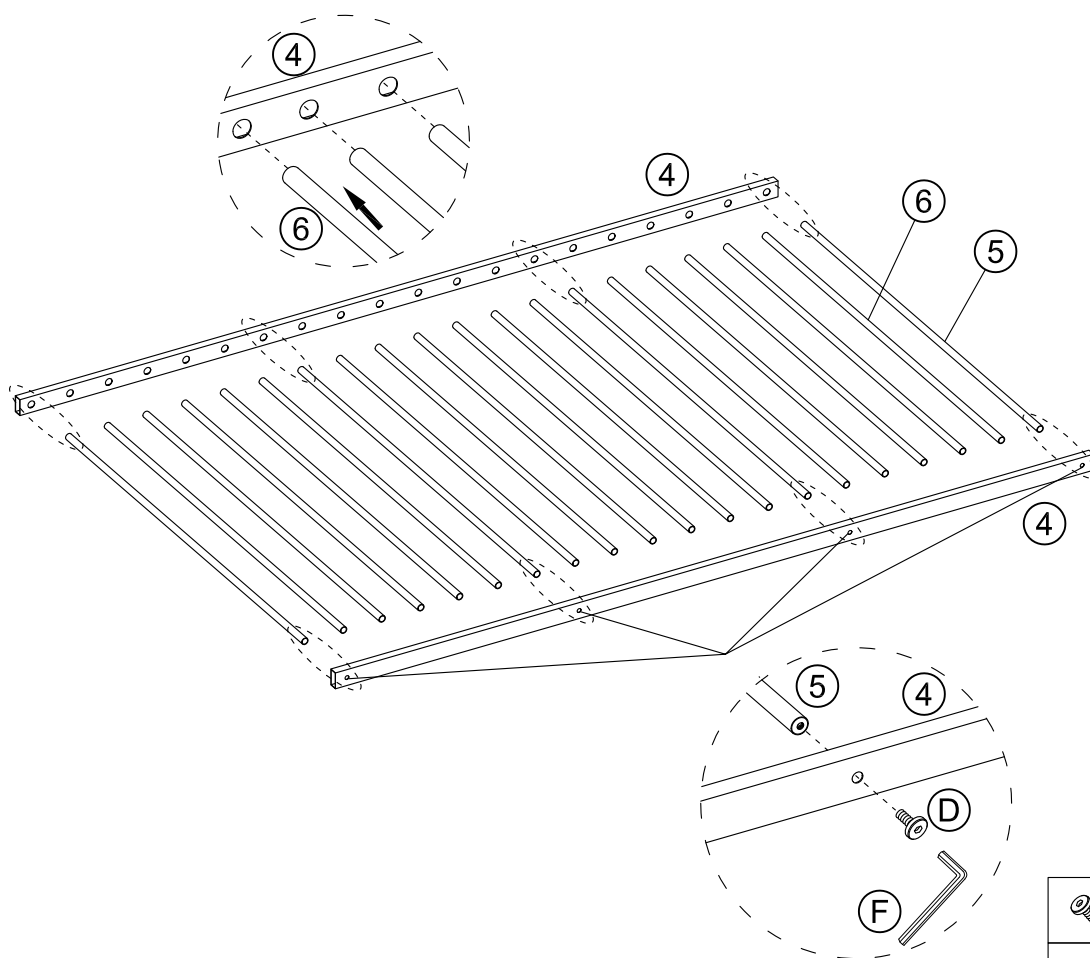
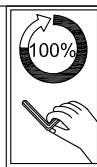
	(A) x2
	(G) x1

2



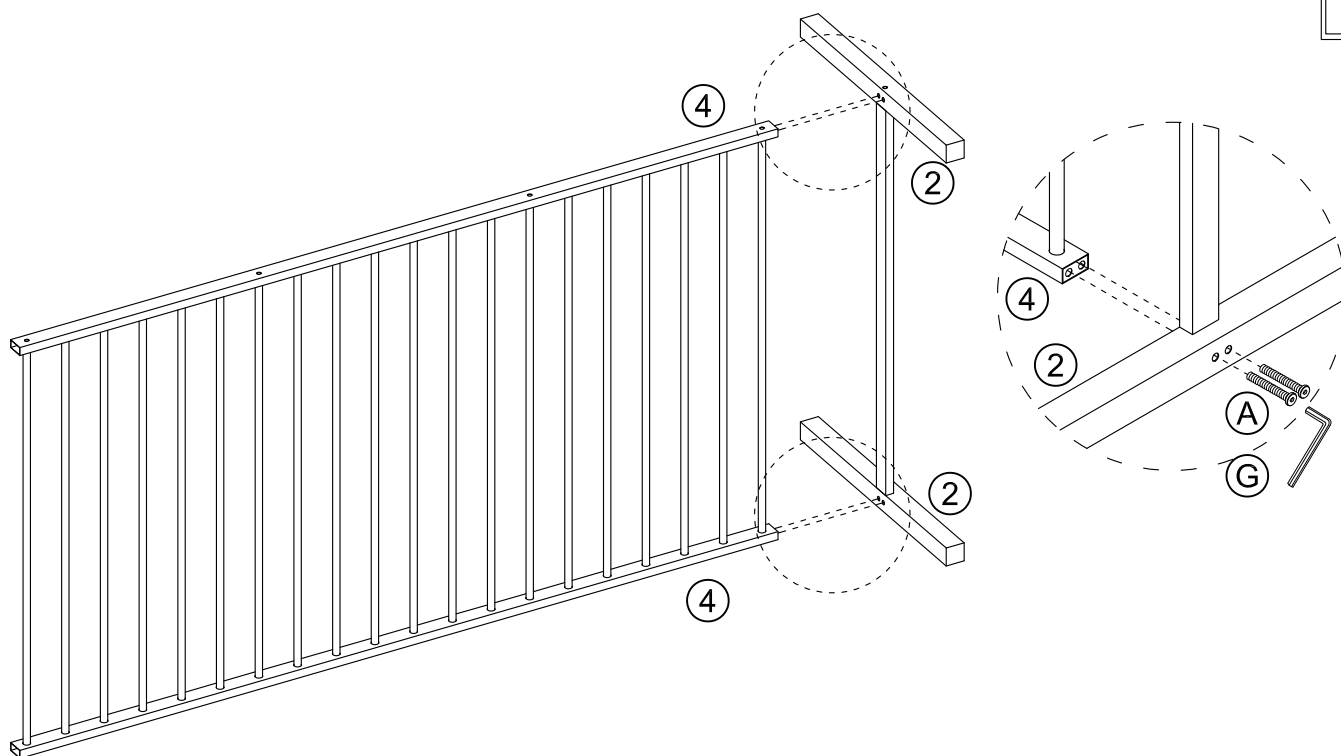
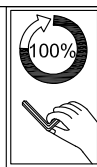
	(A) x2
	(G) x1

3



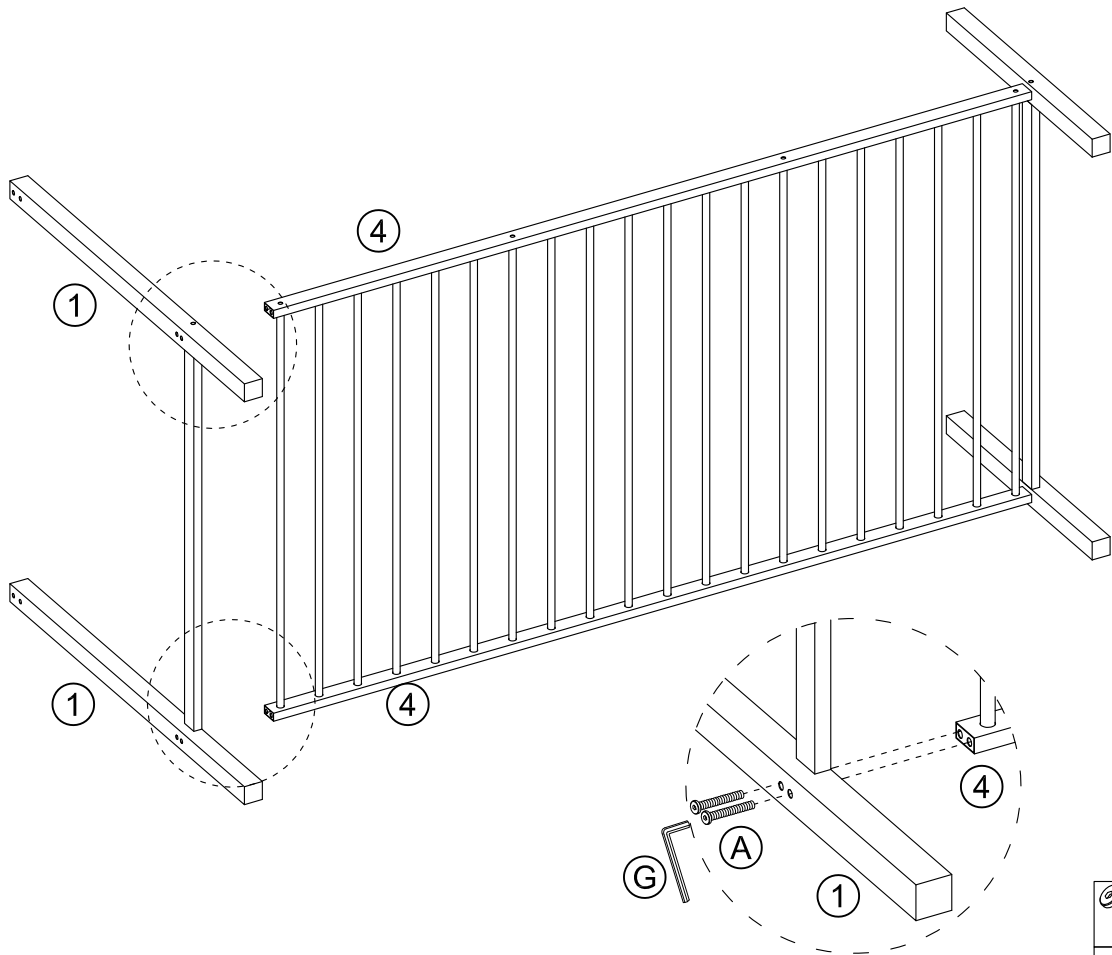
	(D) x 8
	(F) x 1

4



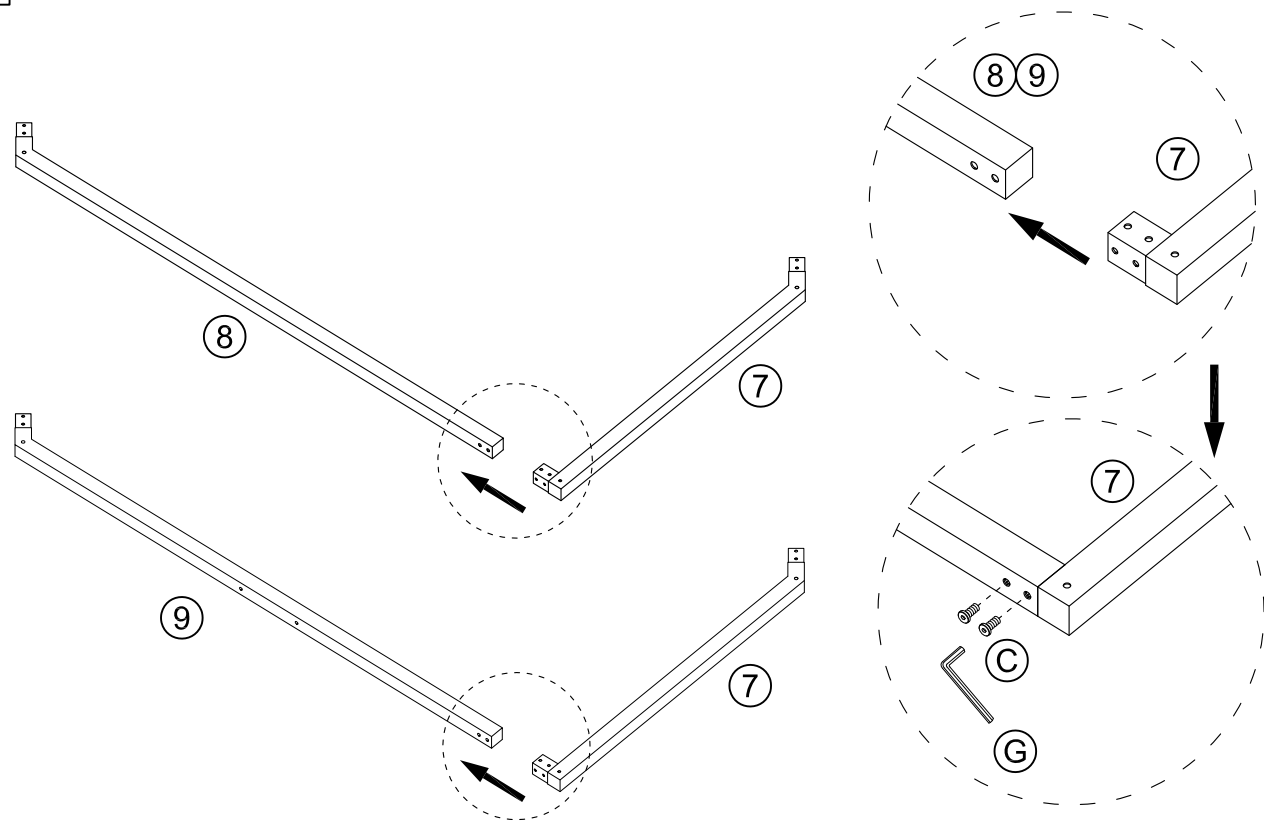
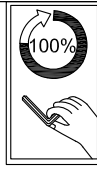
	(A) x 4
	(G) x 1

5



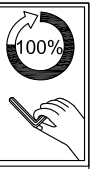
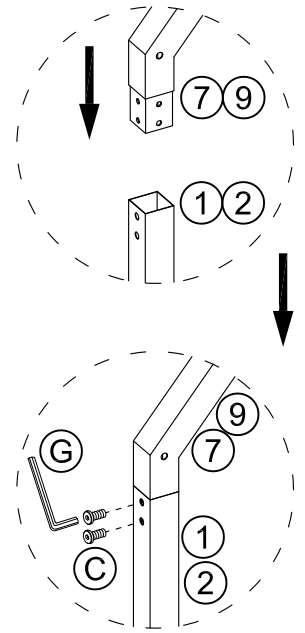
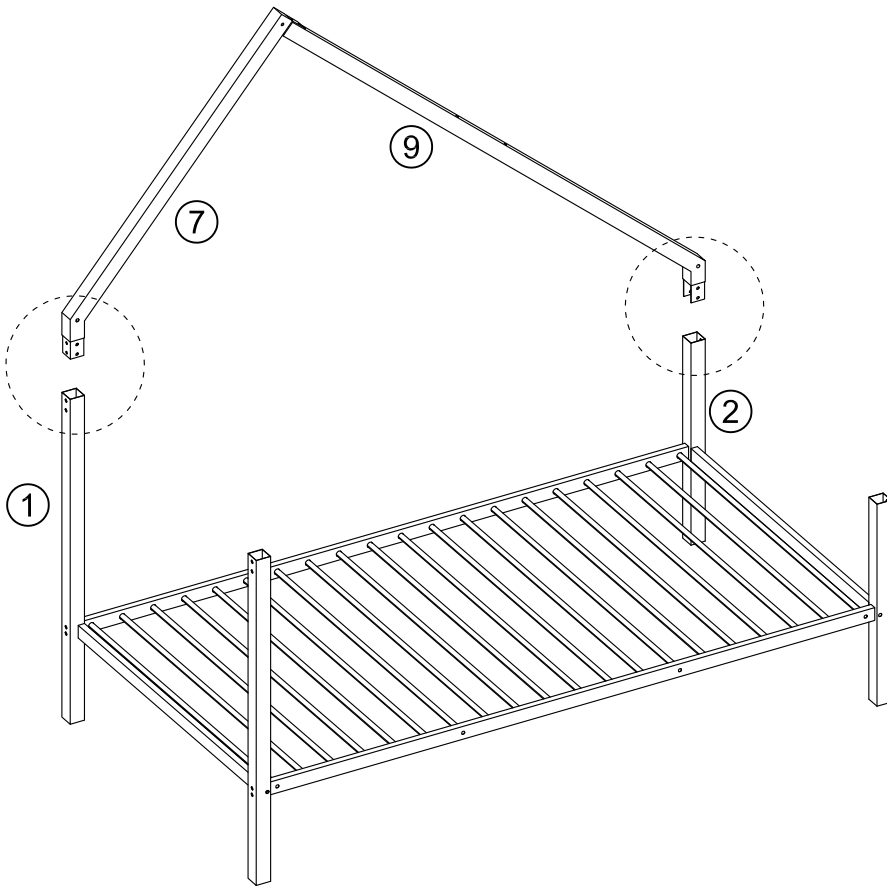
	(A) x4
	(G) x1

6



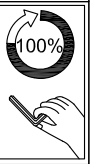
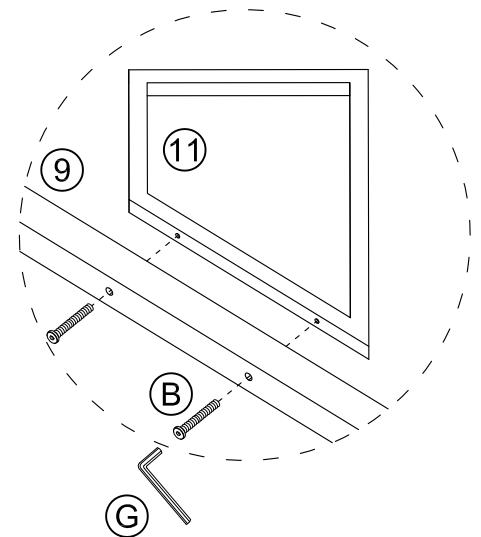
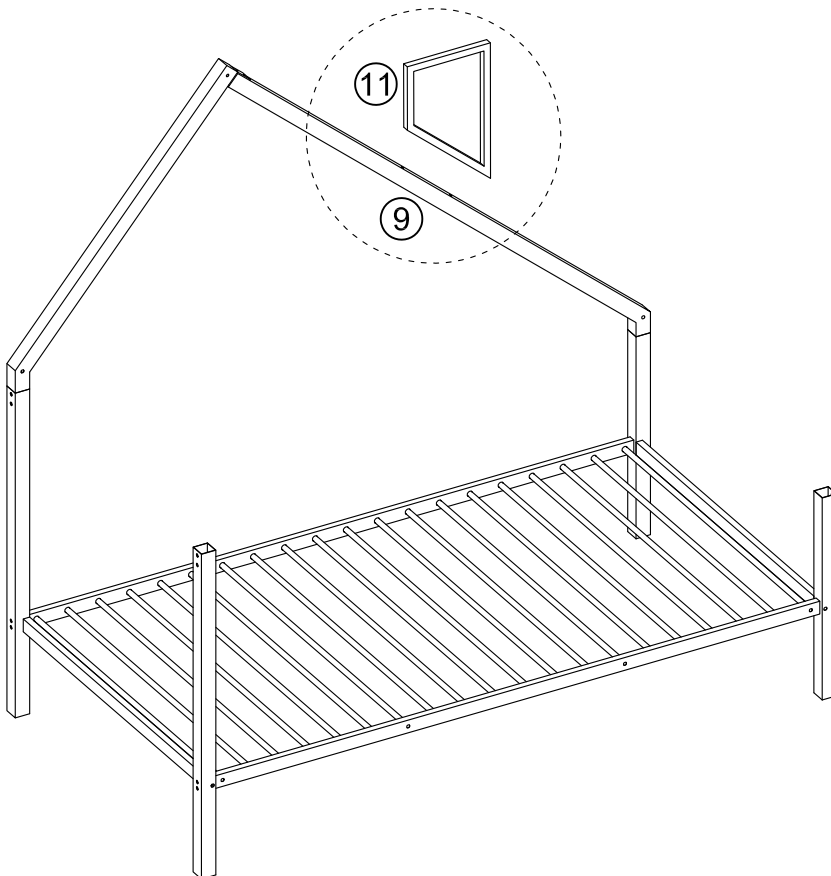
	(C) x4
	(G) x1

7



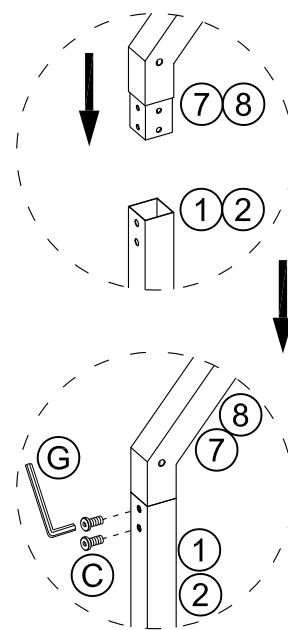
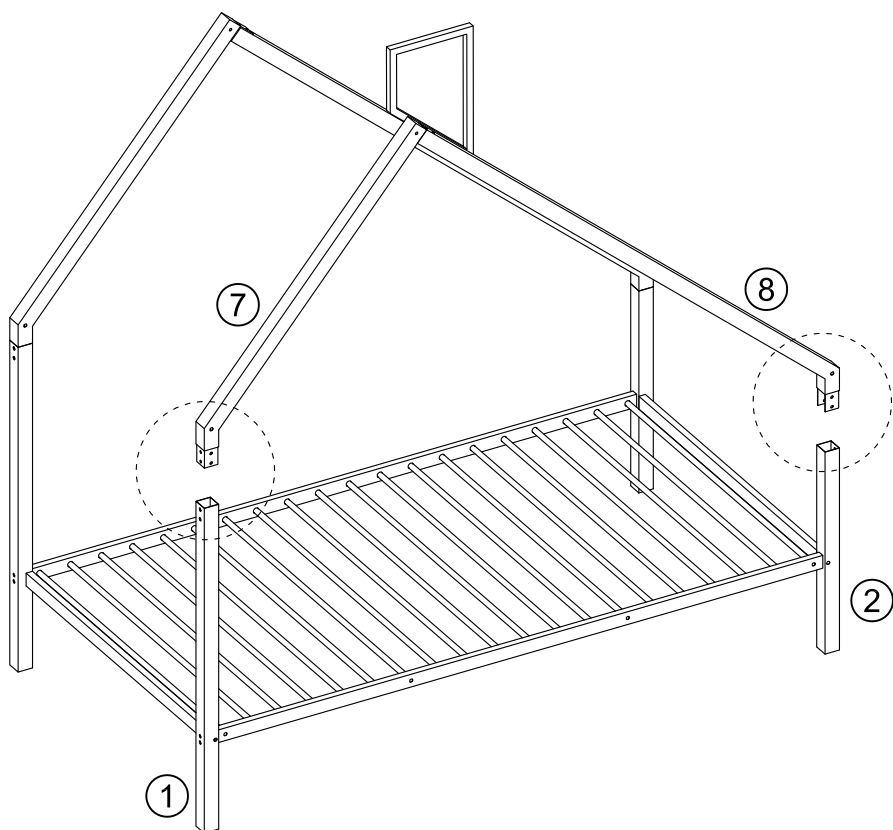
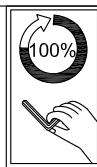
	C x4
	G x1

8



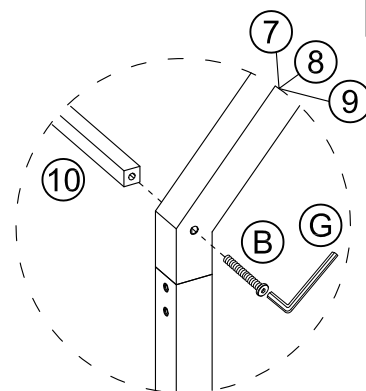
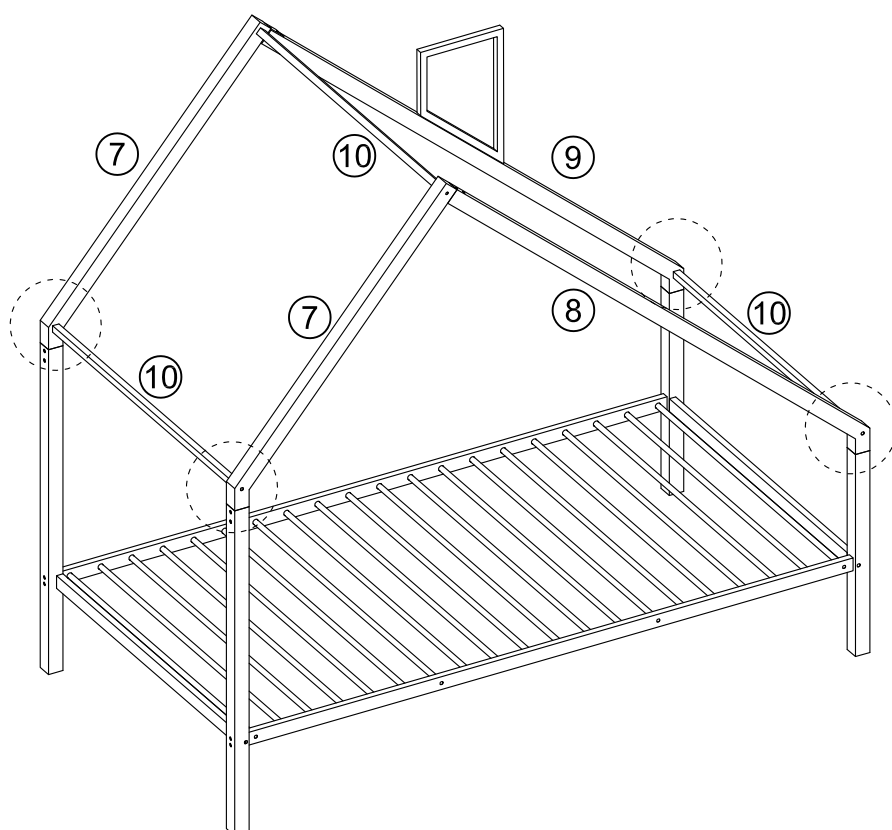
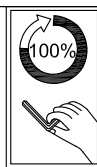
	B x2
	G x1

9



	C x4
	G x1

10



	B x6
	G x1