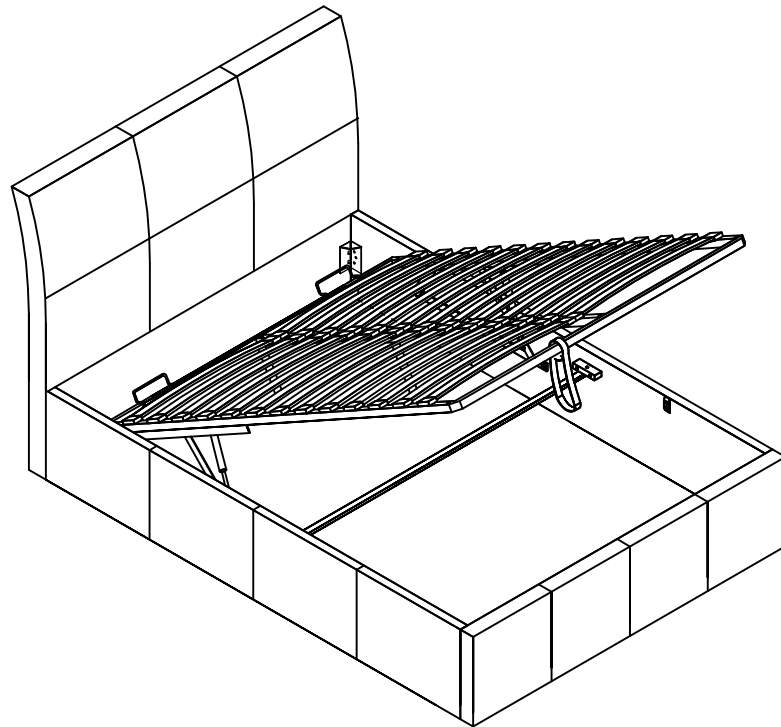


ASSEMBLY INSTRUCTIONS



SIZE: 4FT6 2070mm X 1460mm X 875mm

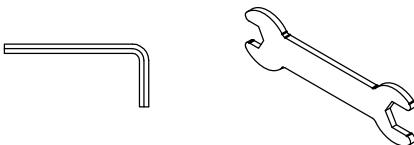
Colour: **BLACK, BROWN, SILVER, GREY, BRONZE**

PLEASE READ this sheet prior to assembly to familiarise yourself with the various stages of construction.

Carefully open the pack supplied and check the contents against the parts and fittings check list. Do not destroy any of the packaging until you are certain that you have all the necessary parts for the assembly.

CAUTION: There are small components used in the construction of this unit. These loose items should be kept away from young children whilst assembling your unit to avoid the danger of choking hazards.

Tools Required



OTTOMAN BEDSTEAD ASSEMBLY INSTRUCTIONS

IMPORTANT - READ CAREFULLY - RETAIN THESE INSTRUCTIONS FOR FUTURE REFERENCE.

INFORMATION

- This product is intended for a maximum person's weight of 130kg per side. Do not exceed this weight.
- Due to the size of this product we recommend that it is assembled in the room intended for use.
- When you are ready to start, make sure that you have the right tools, plenty of space and a clean, dry area for assembly.
- Unwrap all packaging materials and place the components on top of the carton box or on a clean floor to prevent it from scratching.
- Check the pack and make sure you have all the parts listed.
- Ensure that this product is fully assembled and secured as illustrated before use.
- Check all screws or bolts are tightened and inspect regularly.
- This product should only be used on firm, level ground.
- Please dismantle for transportation.
- Tools are included.

WARNINGS

- Only use the storage compartment when the frame is fully raised in the up position.
- DO make sure the legs remain in contact with the ground.
- DO keep small parts out of reach of children.
- DO use caution when operating, this bed uses a pressured mechanism.
- DO keep hands and fingers clear of the mechanism when opening and closing the bed for use.
- DO NOT use power tools to construct this product.
- DO NOT tighten screws until fully assembled.
- DO NOT over tighten screws or bolts.
- DO NOT use this product if parts are missing, damaged or worn.
- DO NOT stand on the product.
- DO NOT remain on the bed whilst the lifting mechanism is in use.
- DO NOT expose this product to dripping or splashing, rain or areas with heavy moisture.
- DO NOT place any objects filled with liquids, such as vases, on the product.
- DO NOT insert foreign objects into the product or attempt to repair this unit by yourself.
- DO NOT place the product in direct sunlight, open flames such as candles or heat, such as radiators. Keep away from temperatures over 35°C.

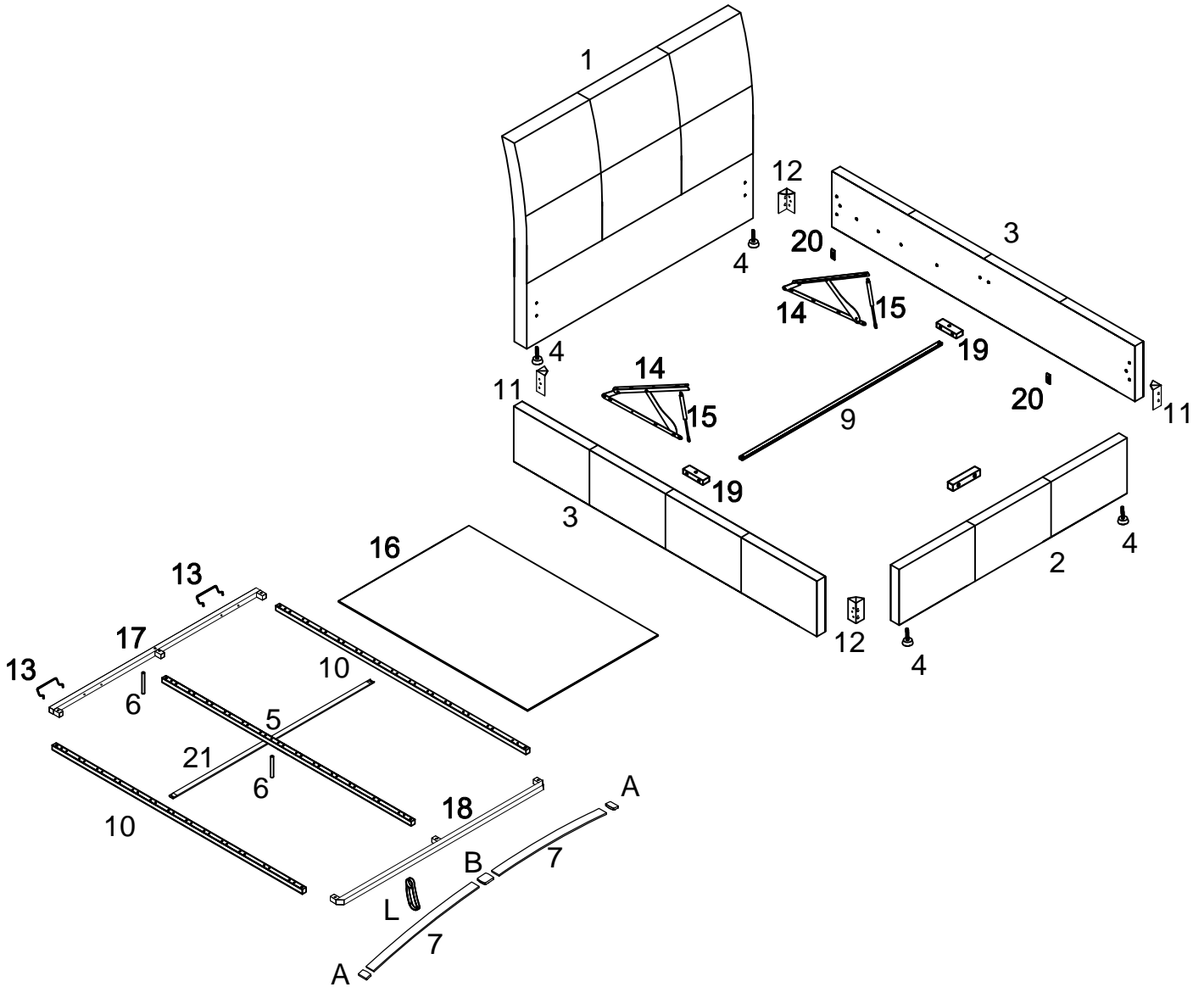
CARE INFORMATION

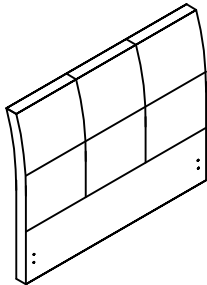
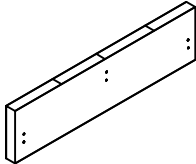
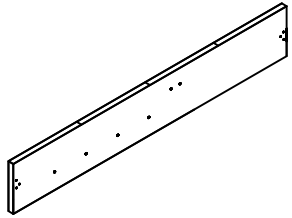
- Never use scourers, abrasives or chemical cleaners.
- To clean wipe with a sponge and warm soapy water.

OTTOMAN BEDSTEAD ASSEMBLY INSTRUCTIONS


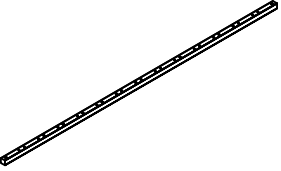


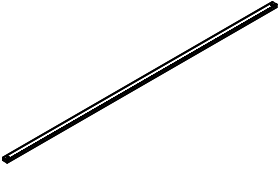
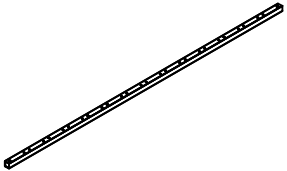
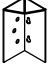

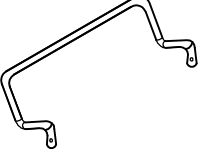
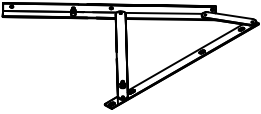
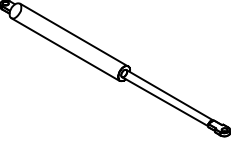
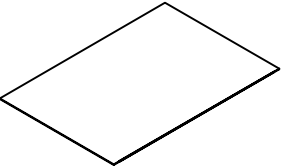
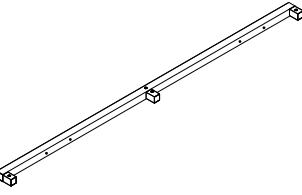
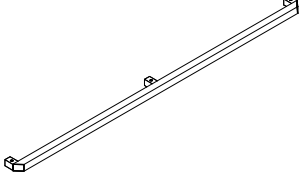
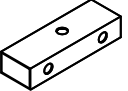
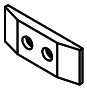
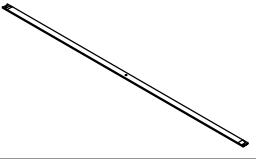
Parts

Please check the pack contents before assembling this product. If any components are missing, please contact your retailer. The fittings pack contains small items that should be kept away from small children.



<p>1</p> 	<p>2</p> 	<p>3</p> 
<p>HEADBOARD 1 PC Carton NO: 1</p>	<p>FOOTBOARD 1 PC Carton NO: 1</p>	<p>SIDE RAIL LEFT & RIGHT PANEL 2 PCS Carton NO: 2</p>

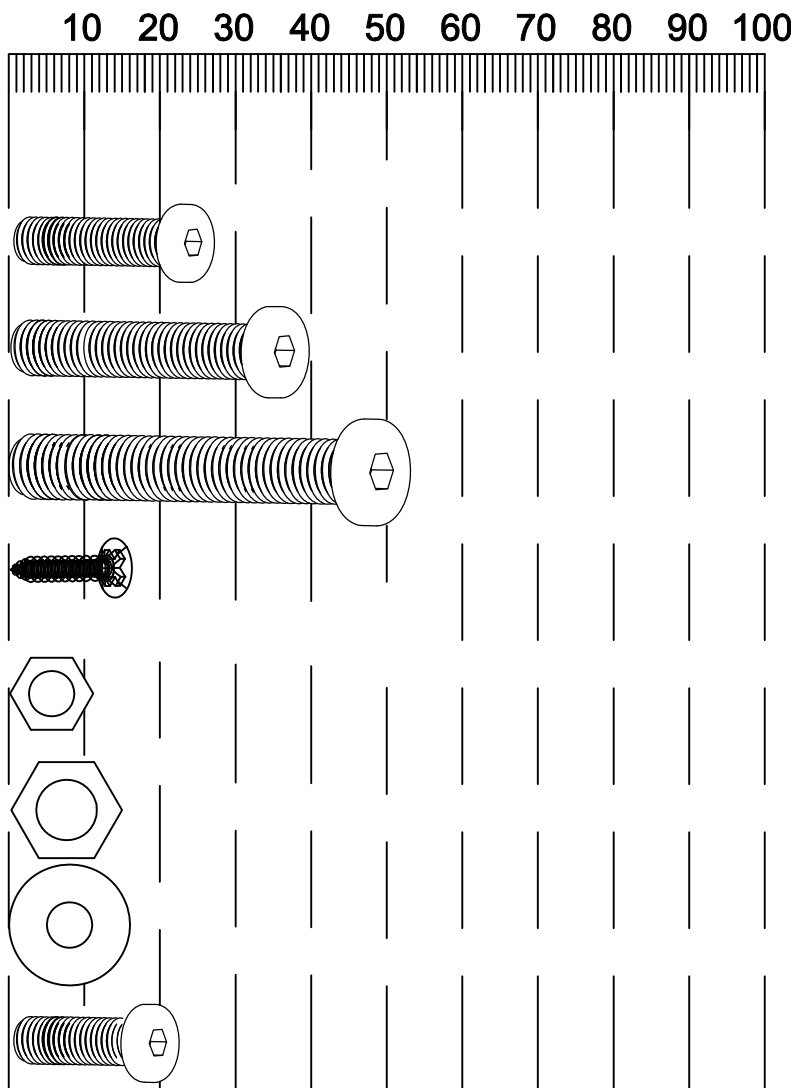
OTTOMAN BEDSTEAD ASSEMBLY INSTRUCTIONS

4 	5 	6 
ADJUSTABLE LEG 4 PCS Carton NO: 2	CENTRE RAIL 1 PC Carton NO: 2	LONG SUPPORT LEG 2 PCS Carton NO: 2
7 	9 	10 
WOODEN SLAT 26 PCS Carton NO: 2	CROSS RAIL 1 PC Carton NO: 2	SIDE TUBE 2 PCS Carton NO: 2
11 	12 	13 
BRACKET L 2 PCS Carton NO: 2	BRACKET R 2 PCS Carton NO: 2	MATTRESS SUPPORT 2 PCS Carton NO: 2
14 	15 	16 
HINGE LEFT & RIGHT 2 PCS Carton NO: 2	GAS LIFT 2 PCS Carton NO: 2	NON WOVEN BASE 1 PC Carton NO: 1
17 	18 	19 
BACK TUBE 1 PC Carton NO: 2	FRONT TUBE 1 PC Carton NO: 2	BASE SUPPORT 3 PCS Carton NO: 2
20 	21 	
FRAME STOPPER 4 PCS Carton NO: 2	CROSS RAIL 02 1 PC Carton NO: 2	

OTTOMAN BEDSTEAD ASSEMBLY INSTRUCTIONS

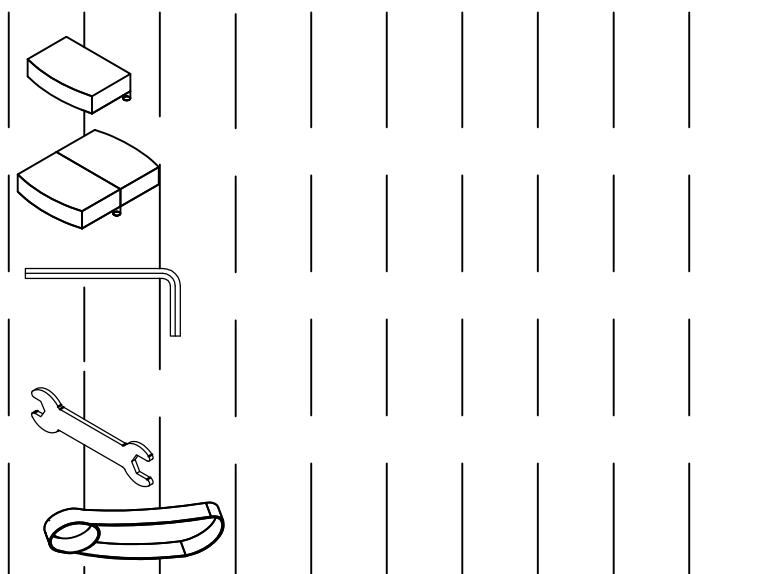
Fixings (to scale)

Ref	Dimensions	Qty
C	Bolt-M6x20	27
D	Bolt-M6x32	8
E	Bolt-M6x45	6
F	Screw-4.0x15	12
G	Nut-M6	8
H	Nut-M8	4
M	Flat Washer- Φ6x16	8
O	Bolt-M6x15	12



(Not to scale)

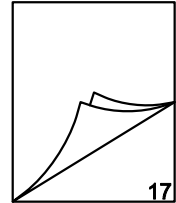
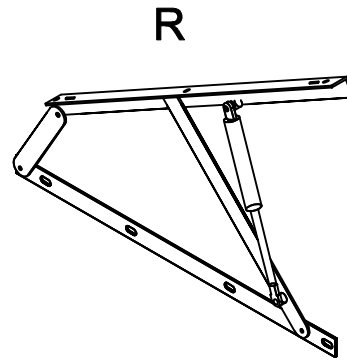
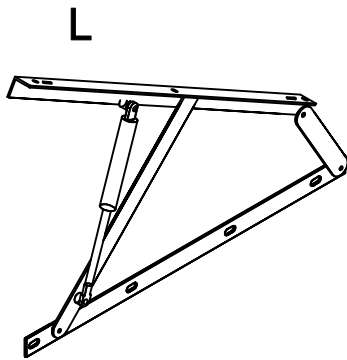
A	End Slat Cap	26
B	Centre Slat Cap	13
J	4mm Allen Key	1
K	Spanner	1
L	Base Lift Strap	1



CAUTION: There are many small components used in the construction of this product. Please keep these components away from young children whilst assembling this product.

If you keep the fittings in a bowl during assembly you will be less likely to lose them!

OTTOMAN BEDSTEAD ASSEMBLY INSTRUCTIONS



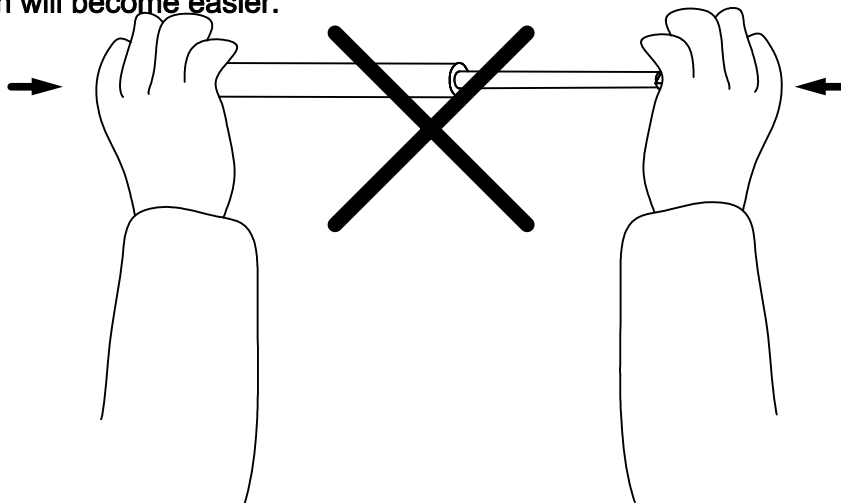
Turn to page 17 for fitting the hinges

IMPORTANT PISTON INFORMATION

The pistons used in the construction of this product are extremely strong and cannot be operated by hand when not fitted to the ottoman hinges. All pistons are tested in the factory for correct pressure and operation before use.

Initially it might appear that the pistons are very stiff when opening and closing the ottoman frame, THIS IS NORMAL.

After operating the ottoman a few times, the movement of the pistons and the opening and closing of the ottoman will become easier.

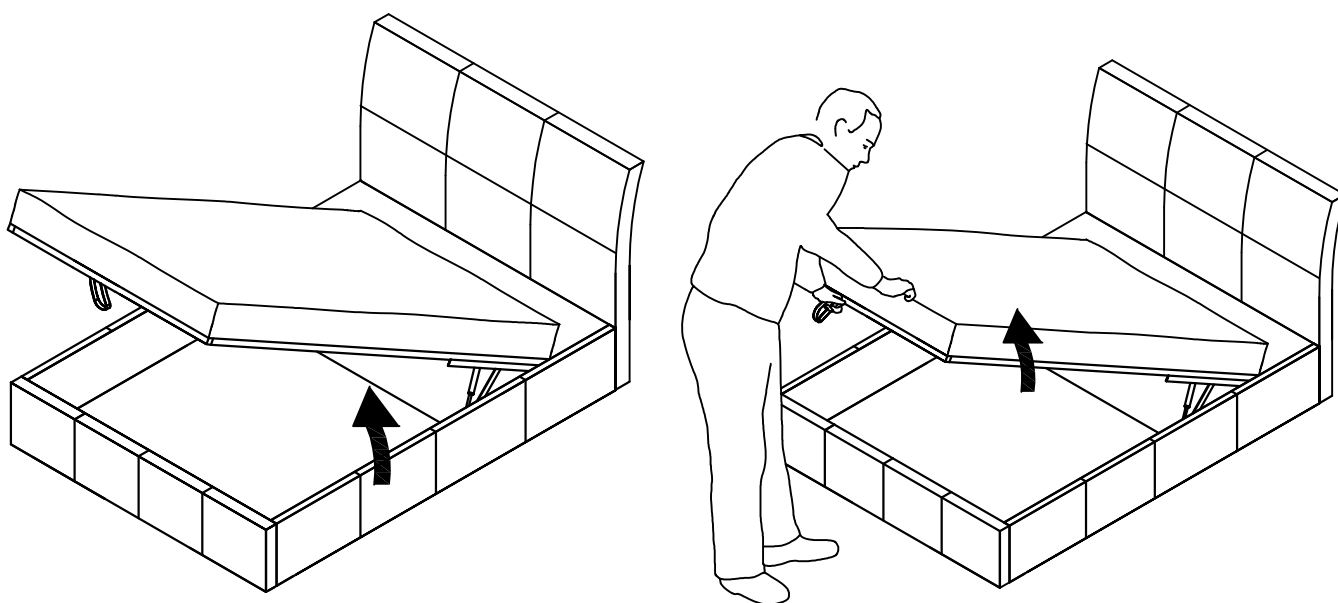


OTTOMAN BEDSTEAD ASSEMBLY INSTRUCTIONS

Hints and Tips

To operate the ottoman, always use 2 hands at arm's length and only where illustrated on this product. You must ensure the mattress is on the bed frame before lifting the mechanism. **Failure to do so may result in injury.**

To ensure your safety please do not stand too close in case the frame bounces up. The weight of the mattress loaded on the frame will keep the frame in a lower position until it is pulled upwards by the user.



If removing the mattress, make sure the frame is secured so it does not flip open. When lifting the bed frame, remove pillows and covers.

PLEASE NOTE - It takes a lot of force to make the initial movement of the ottoman - **THIS IS A DESIGN FEATURE OF THE PRODUCT SO THAT IT DOES NOT FALL SHUT** - and the nearer to being closed the ottoman is, the easier it is to move. When the ottoman is almost shut, it will close completely under its own weight.

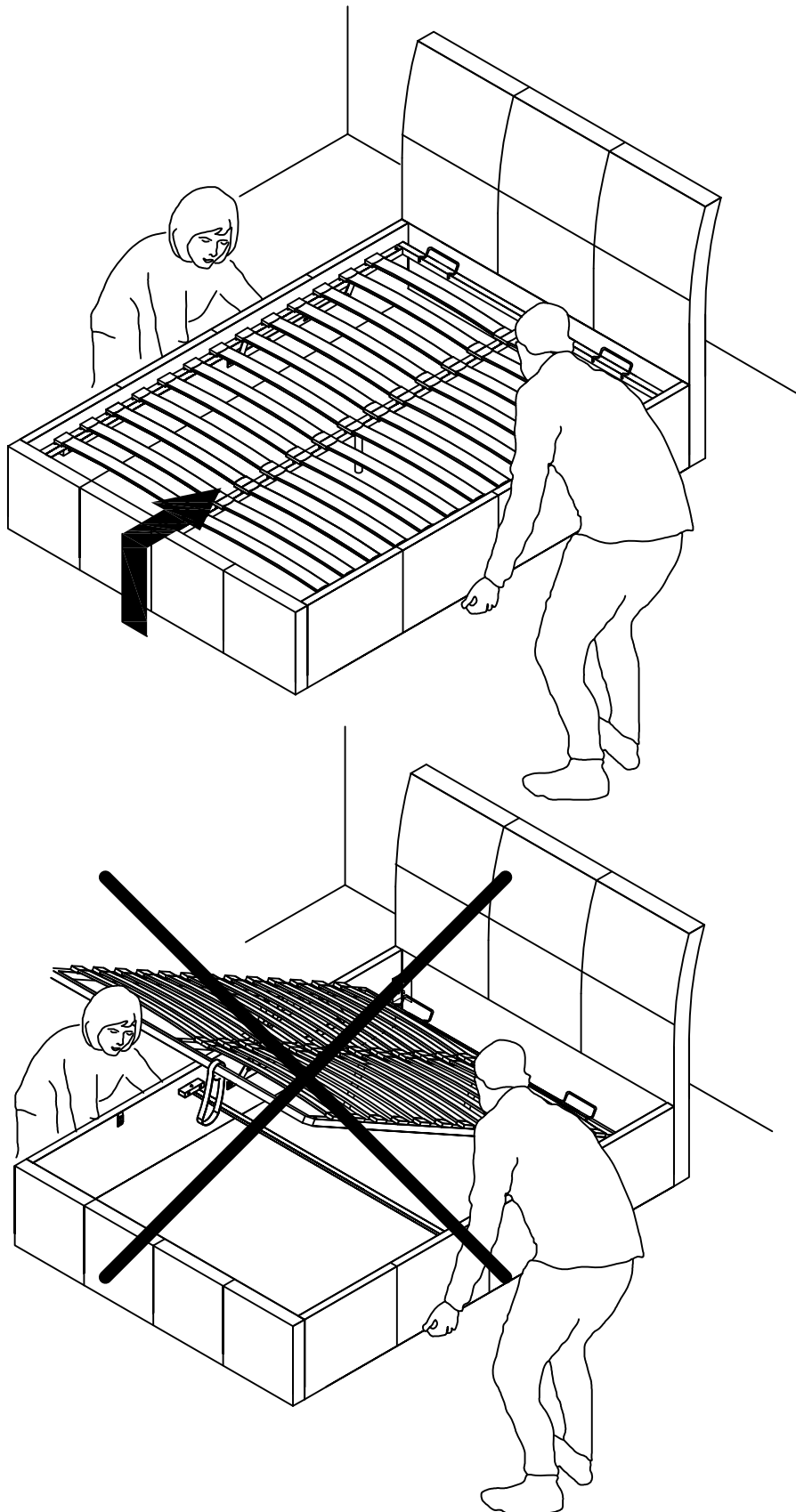
When lowering the slat unit for the first time, take care to make sure it does not rub unevenly on the inside face of the Side Rail. If it does, the bed has been assembled slightly out of square. This can be rectified by moving the Footboard of the bed slightly to the left or right whilst leaving the headboard of the bed frame stationary.

Tip for difficulty with compression:

If you are experiencing difficulty with the initial compression try fitting one piston at a time (following the Assembly Instructions) then press down on the side of the frame with the piston fitted - this acts like a big lever (The weight of the mattress can be used to supplement the load exerted). Effectively you are doubling the amount of force applied, because you have halved the resistance offered by the pistons. It can take slightly more effort than you might feel comfortable applying to the bed frame at first.

OTTOMAN BEDSTEAD ASSEMBLY INSTRUCTIONS

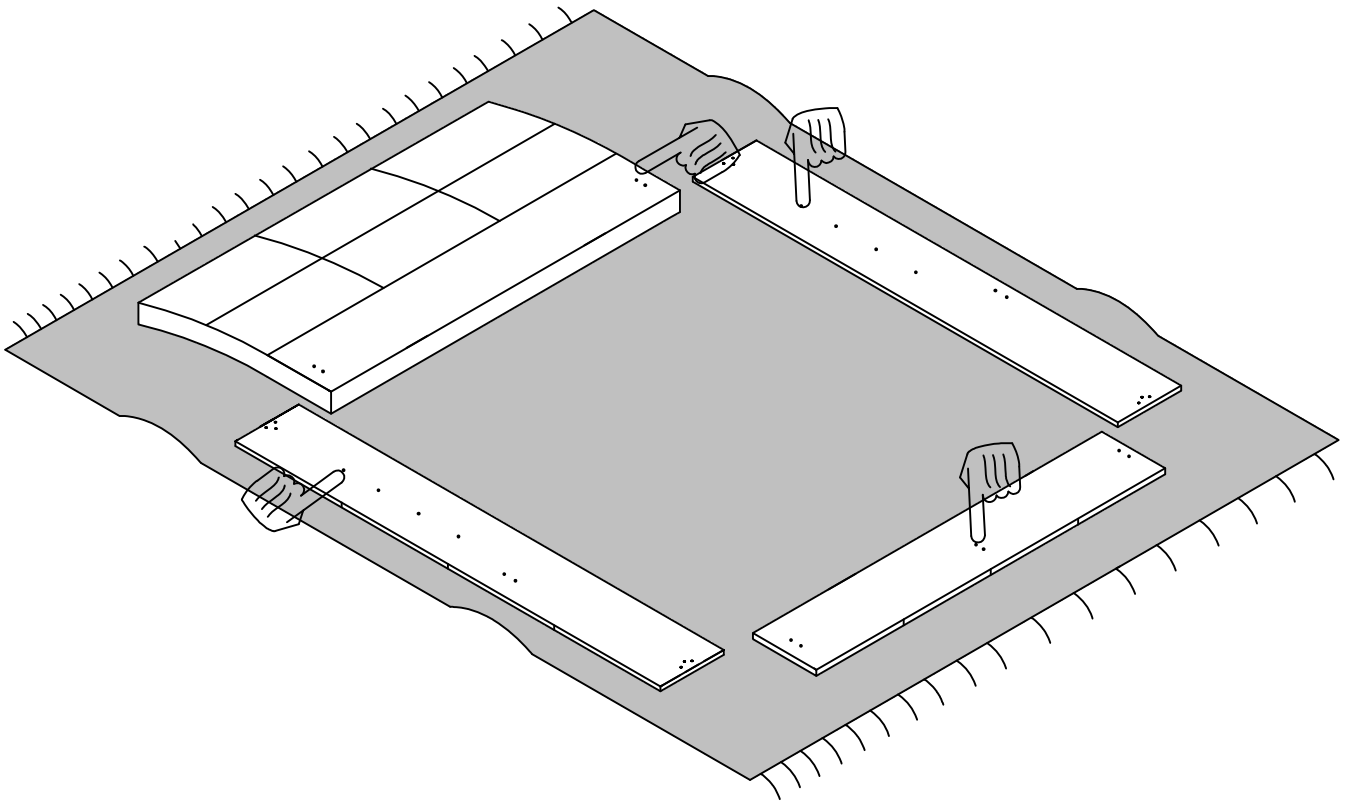
Do not attempt to move the bed whilst the frame is in the upright position.



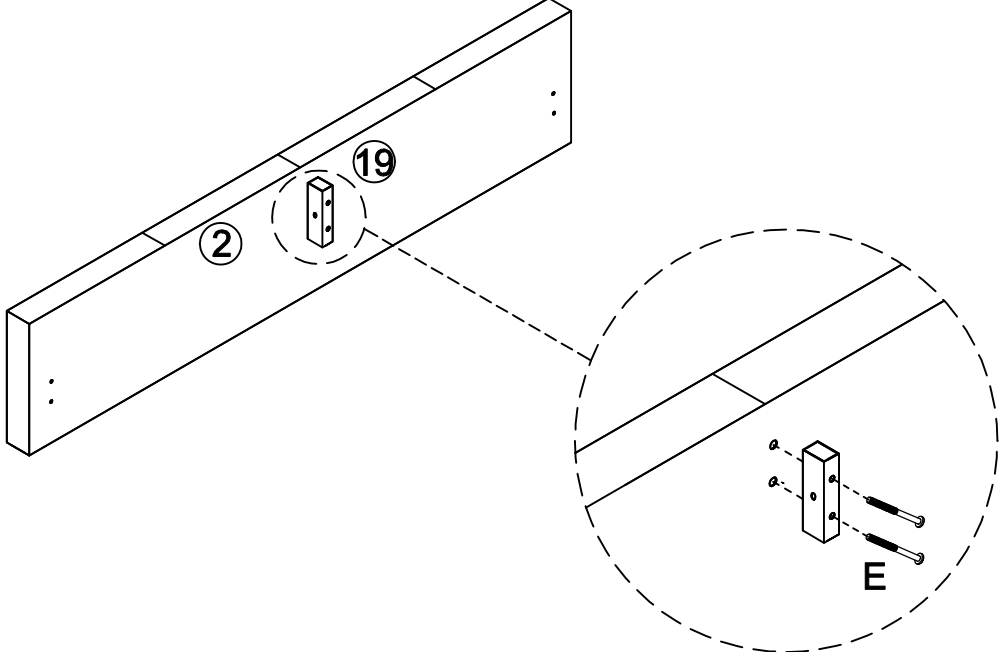
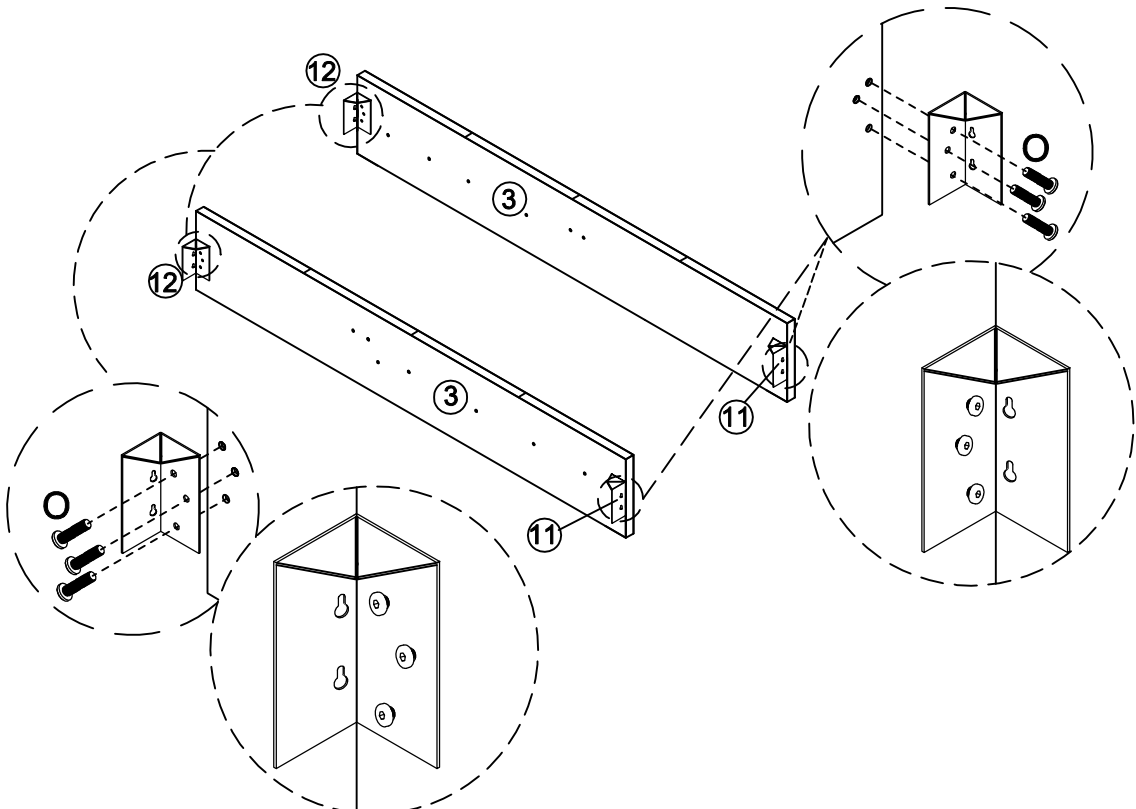
OTTOMAN BEDSTEAD ASSEMBLY INSTRUCTIONS

Layout Parts on Soft Surface

Lay out all 4 sides on a soft surface i.e. Rug, Carpet or Packaging Carton



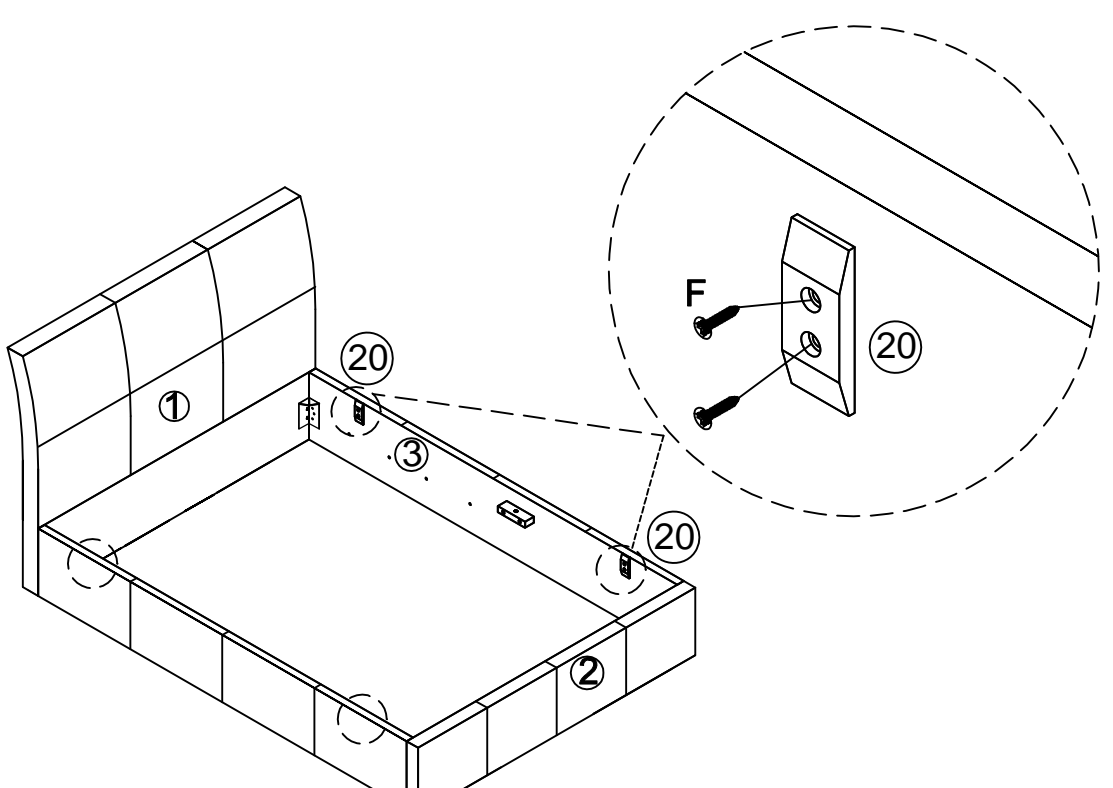
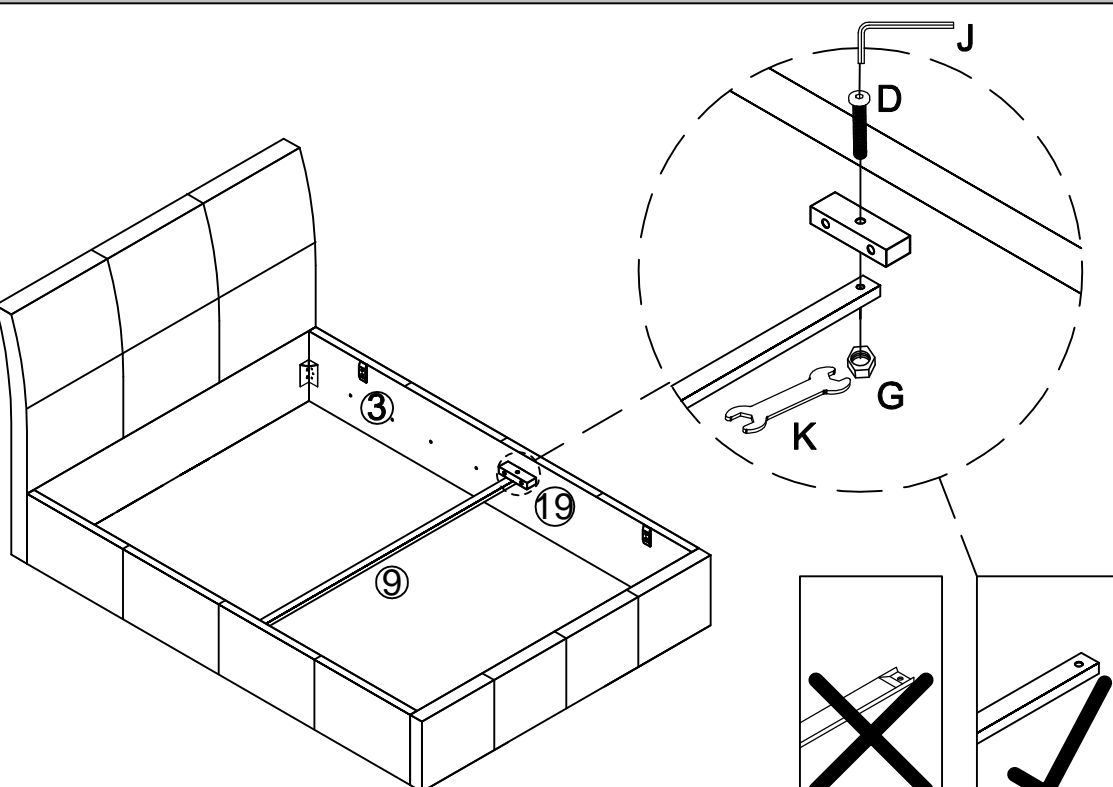
OTTOMAN BEDSTEAD ASSEMBLY INSTRUCTIONS

STEP 1	Parts Required
	<p>2.FOOTBOARD x 1 19.BASE SUPPORT x1</p> <p>E x 2 J x 1</p>
STEP 2	Parts Required
	<p>3.SIDE RAIL LEFT & RIGHT PANEL x 2 11.BRACKET L x 2 12.BRACKET R x 2</p> <p>O x 12 J x 1</p>

OTTOMAN BEDSTEAD ASSEMBLY INSTRUCTIONS

STEP 3	Parts Required
	<p>19.BASE SUPPORT x2</p> <p>E x 4 J x 1</p>
STEP 4	Parts Required
<p style="margin-top: 10px;">Make sure the bed is square. Note: THEN tighten all bolts 100% using allen key</p>	<p>1.HEADBOARD x1</p> <p>C x 8 J x 1</p>

OTTOMAN BEDSTEAD ASSEMBLY INSTRUCTIONS

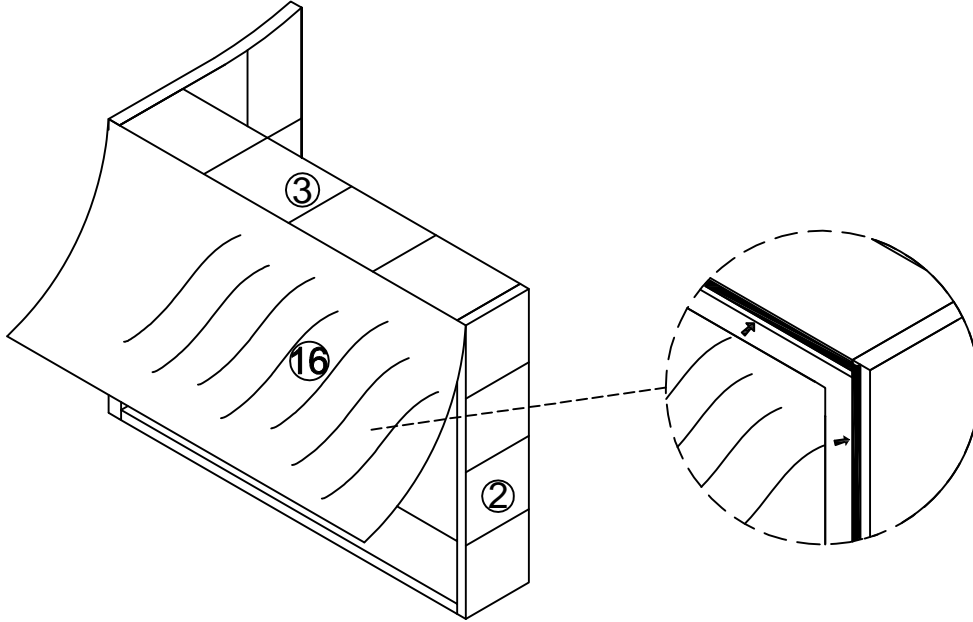
STEP 5	Parts Required
	<p>20.FRAME STOPPER x4</p> <p>F x 8</p>
STEP 6	Parts Required
	<p>9.CROSS RAIL x1</p> <p>D x 2 G x 2 J x 1 K x 1</p>

OTTOMAN BEDSTEAD ASSEMBLY INSTRUCTIONS

STEP 7

Parts Required

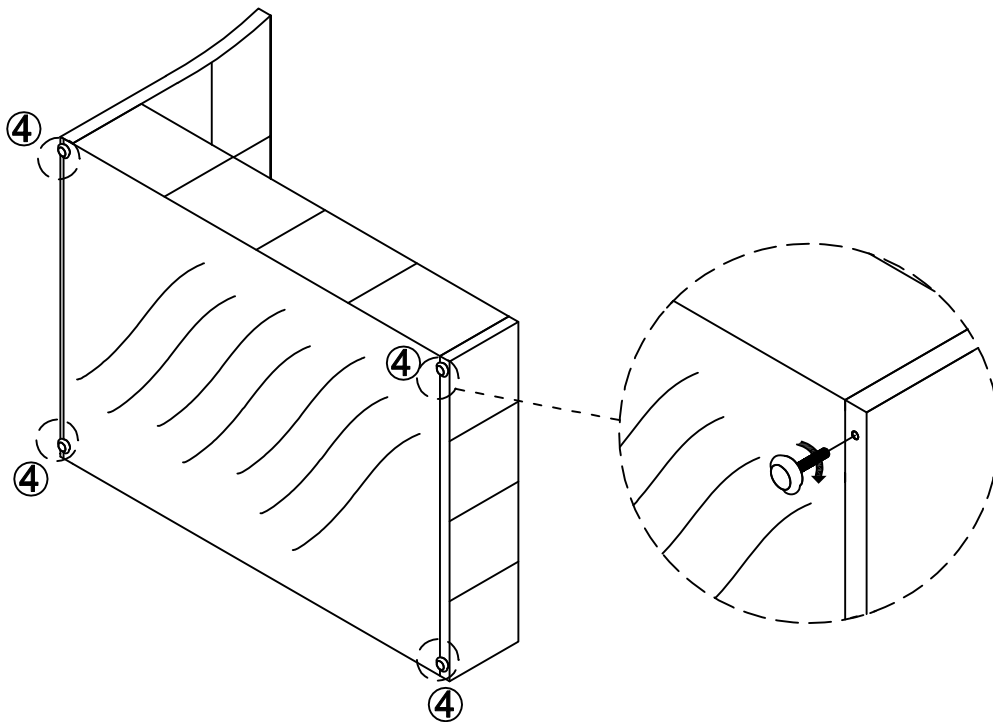
16.NON WOVEN BASE x1



STEP 8

Parts Required

4.ADJUSTABLE LEG x 4

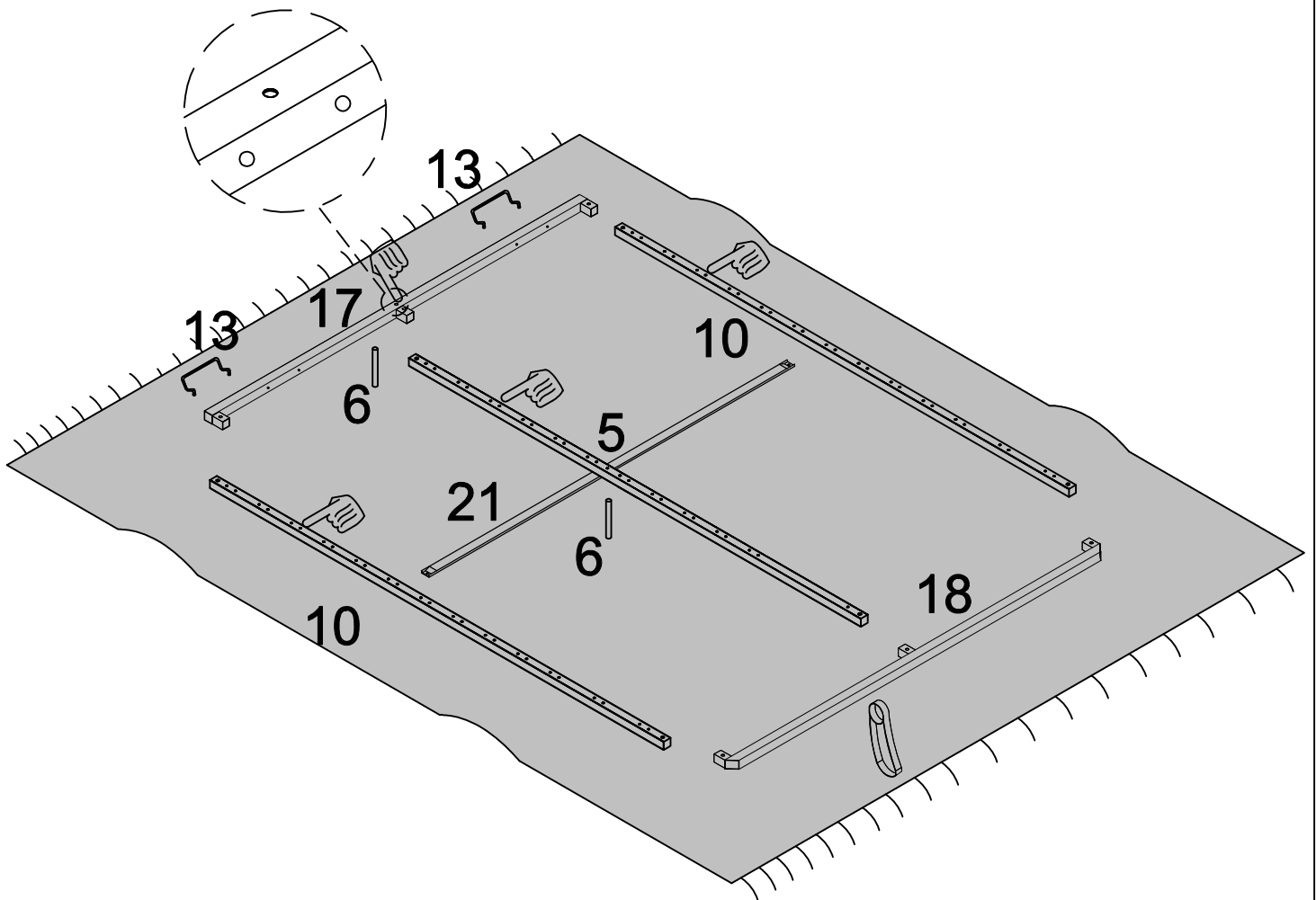


OTTOMAN BEDSTEAD ASSEMBLY INSTRUCTIONS

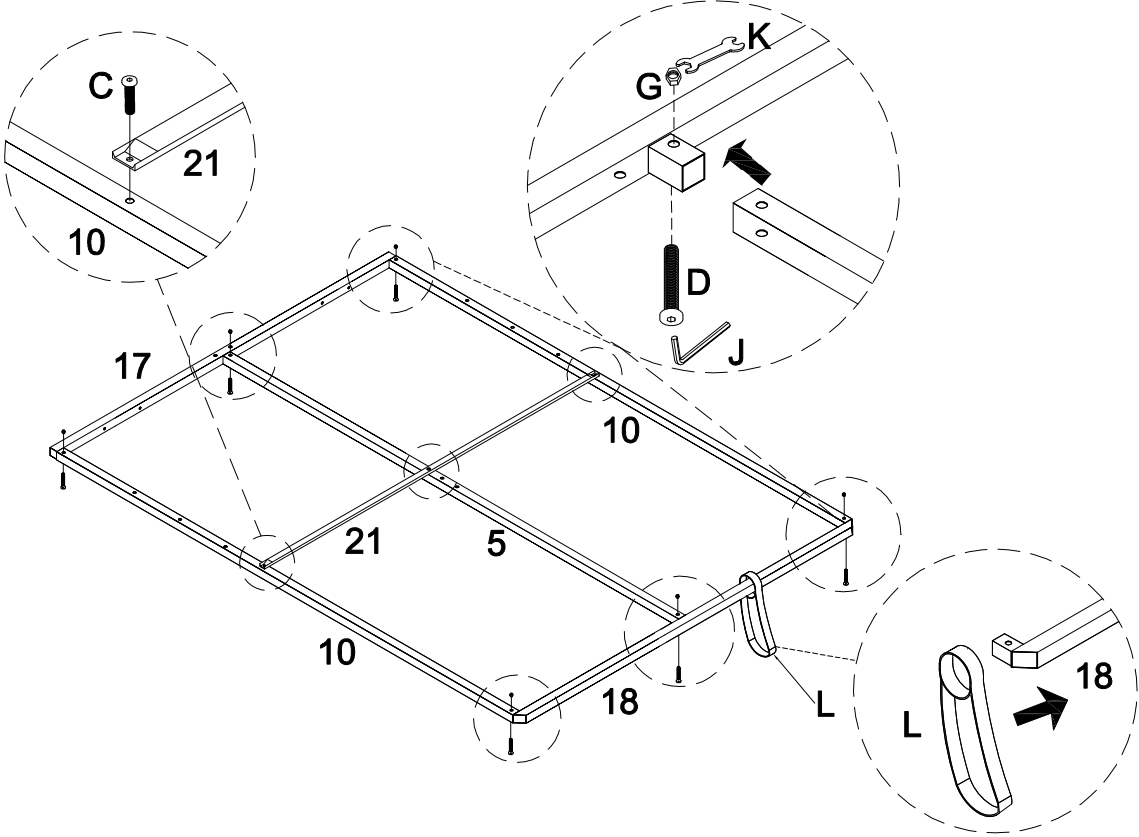
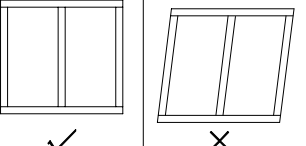
Layout of Metal Frame

! IMPORTANT - Please ensure the frame poles are fitted according to the illustration exactly. If assembled without following this illustration, the frame will not fit to the bed correctly.

IMPORTANT Attach the Base Lift Strap (L) to Front Tube (18) before securing the frame together.



OTTOMAN BEDSTEAD ASSEMBLY INSTRUCTIONS

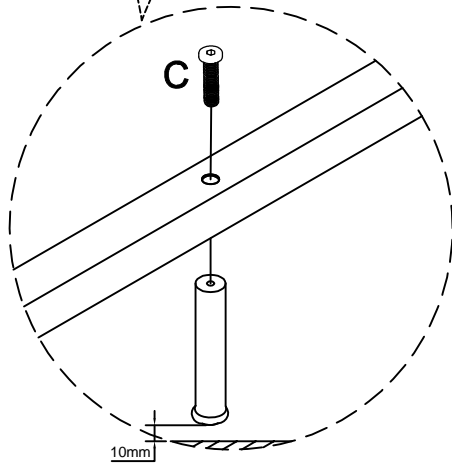
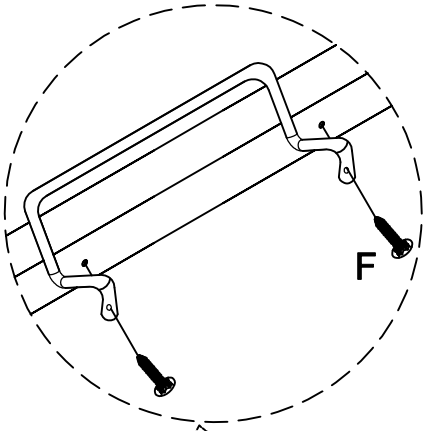
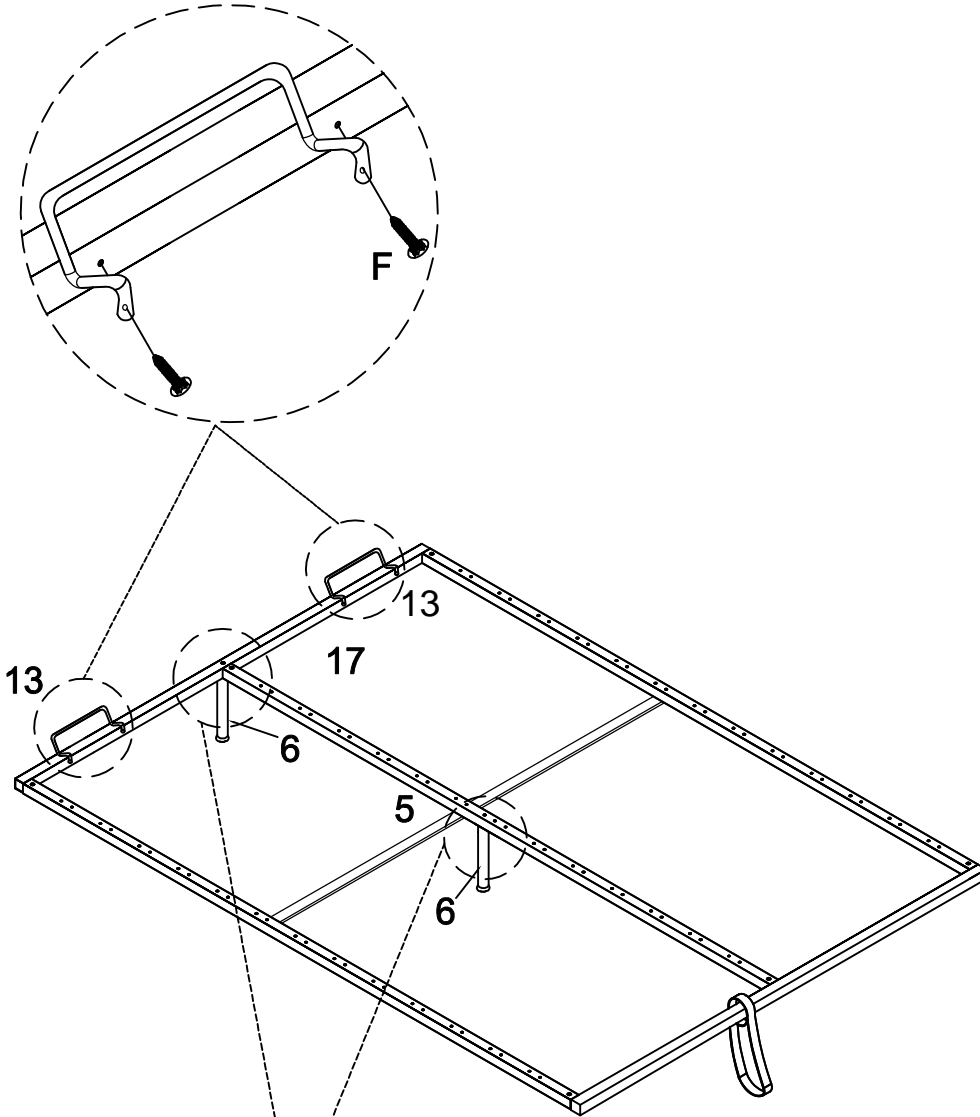
STEP 9	Parts Required
 <p>The diagram illustrates the assembly of the bedstead frame. It shows a perspective view of the frame with callouts for various parts and their installation:</p> <ul style="list-style-type: none"> Part 17 (Back Frame Tube): Shown being attached to the side tubes (10) using bolts (C) and washers (D). Part 18 (Front Frame Tube): Shown being attached to the side tubes (10) using bolts (G) and washers (D). Part 21 (Cross Rail): Shown being attached to the side tubes (10) using bolts (C) and washers (D). Part 5 (Centre Rail): Shown being attached to the side tubes (10) using bolts (D) and washers (J). Part L (Bracket): Shown being attached to the side tubes (10) using bolts (D) and washers (J). Part 18 (Front Frame Tube): Shown being attached to the side tubes (10) using bolts (G) and washers (D). 	<p>17.BACK FRAME TUBE x1 18.FRONT FRAME TUBE x1 10.SIDE TUBE x 2 5.CENTRE RAIL x 2 21.CROSS RAIL x 1</p> <p>C x 3 D x 6 G x 6 L x 1 K x 1 J x 1</p>
 <p>Ensure the frame is square before tightening fixings.</p>	

OTTOMAN BEDSTEAD ASSEMBLY INSTRUCTIONS

STEP 10

Parts Required

6.LONG SUPPORT
LEG x 2
13.MATTRESS SUPPORT
x 2
C x 2
F x 4
J x 1



Adjust the foot height here, 10mm off the ground.

OTTOMAN BEDSTEAD ASSEMBLY INSTRUCTIONS

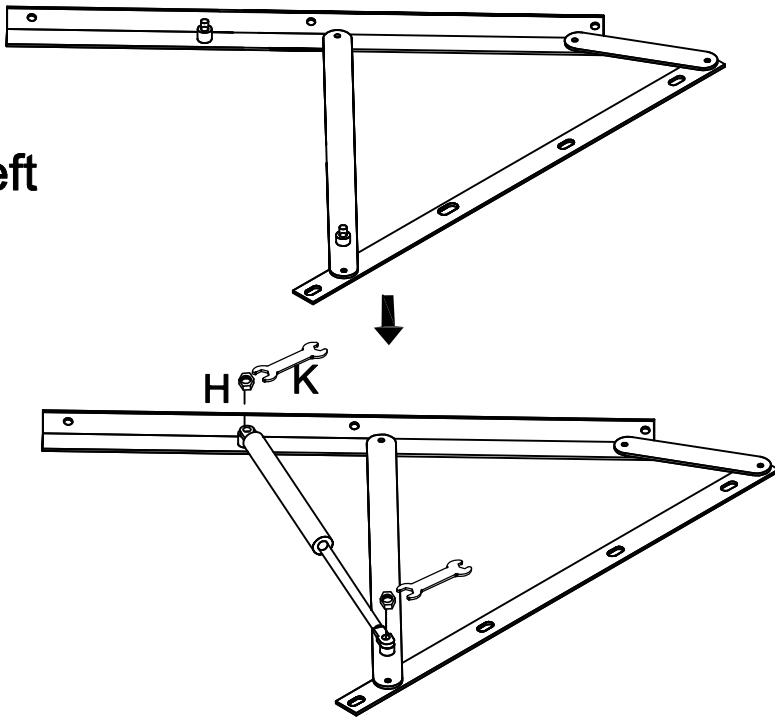
STEP 11

Parts Required

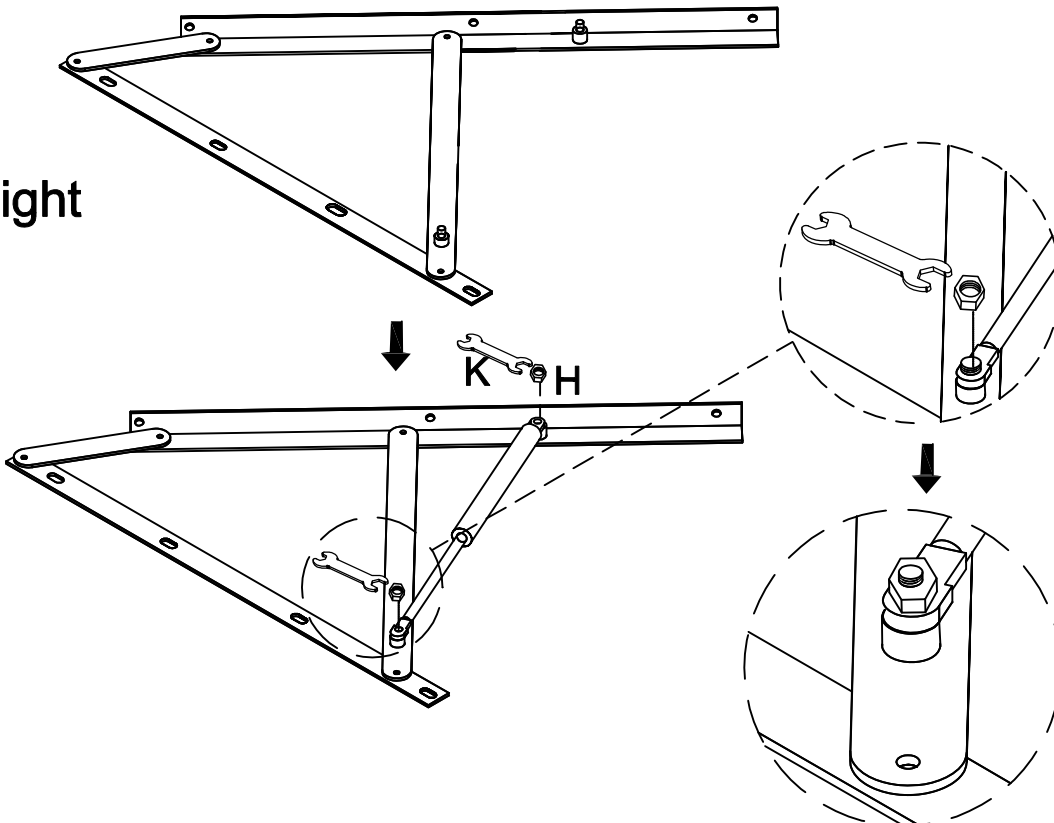
14.HINGE LEFT &
RIGHT x 2
15.GAS LIFT x 2

H x 4
K x 1

Left



Right

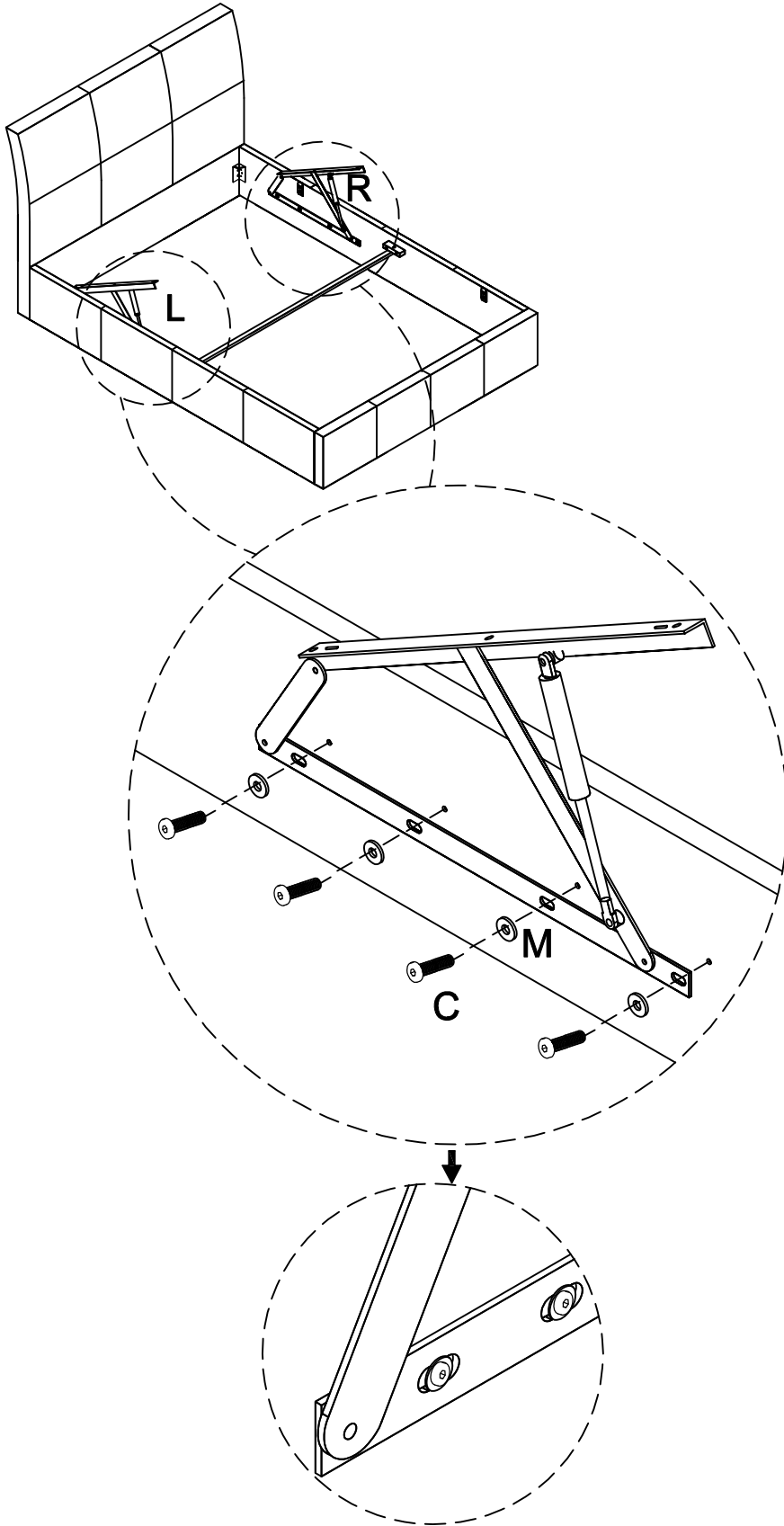


OTTOMAN BEDSTEAD ASSEMBLY INSTRUCTIONS

STEP 12

Parts Required

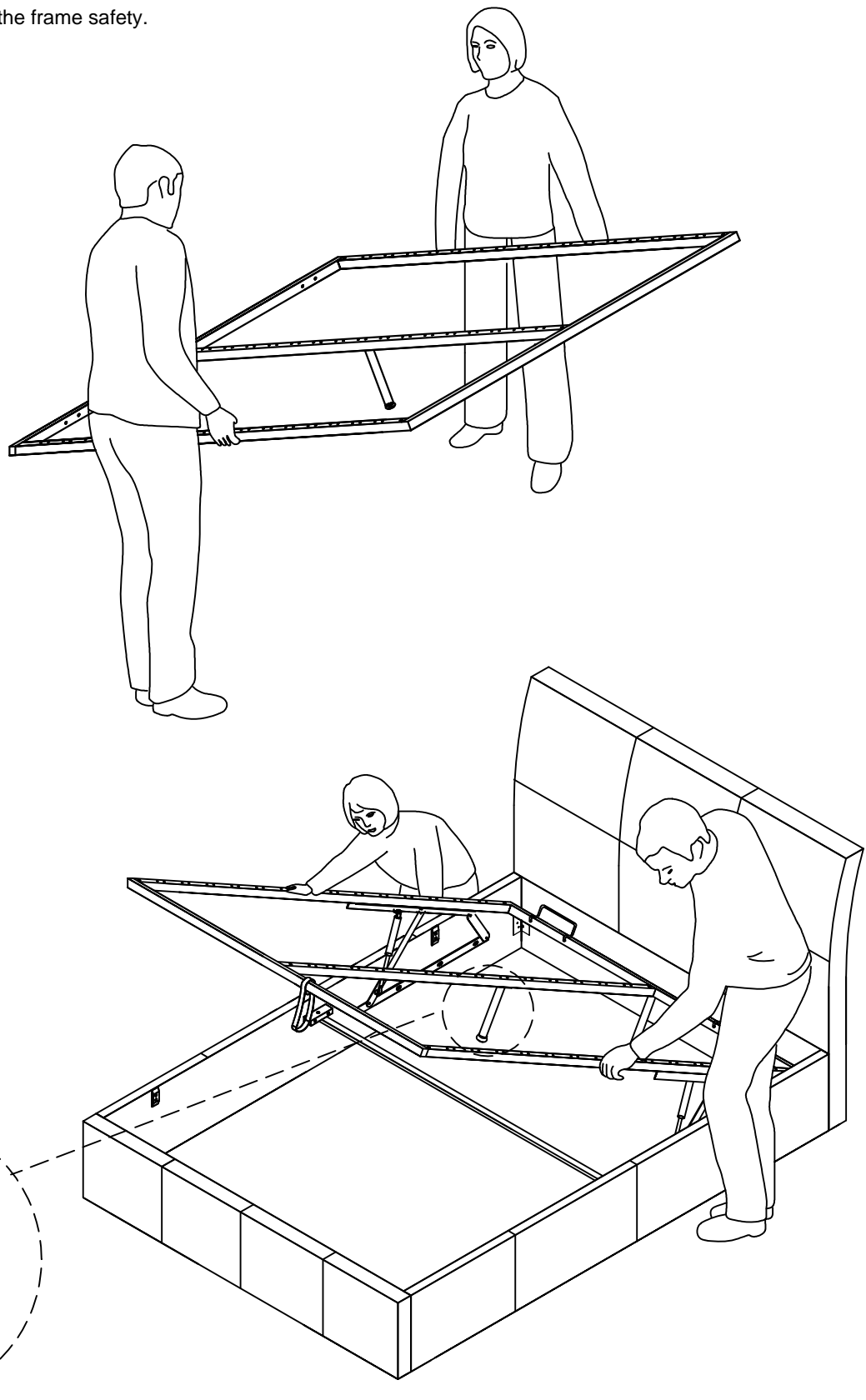
C x 8
M x 8
J x 1



OTTOMAN BEDSTEAD ASSEMBLY INSTRUCTIONS

STEP 13

2 people are required to fit the frame safety.

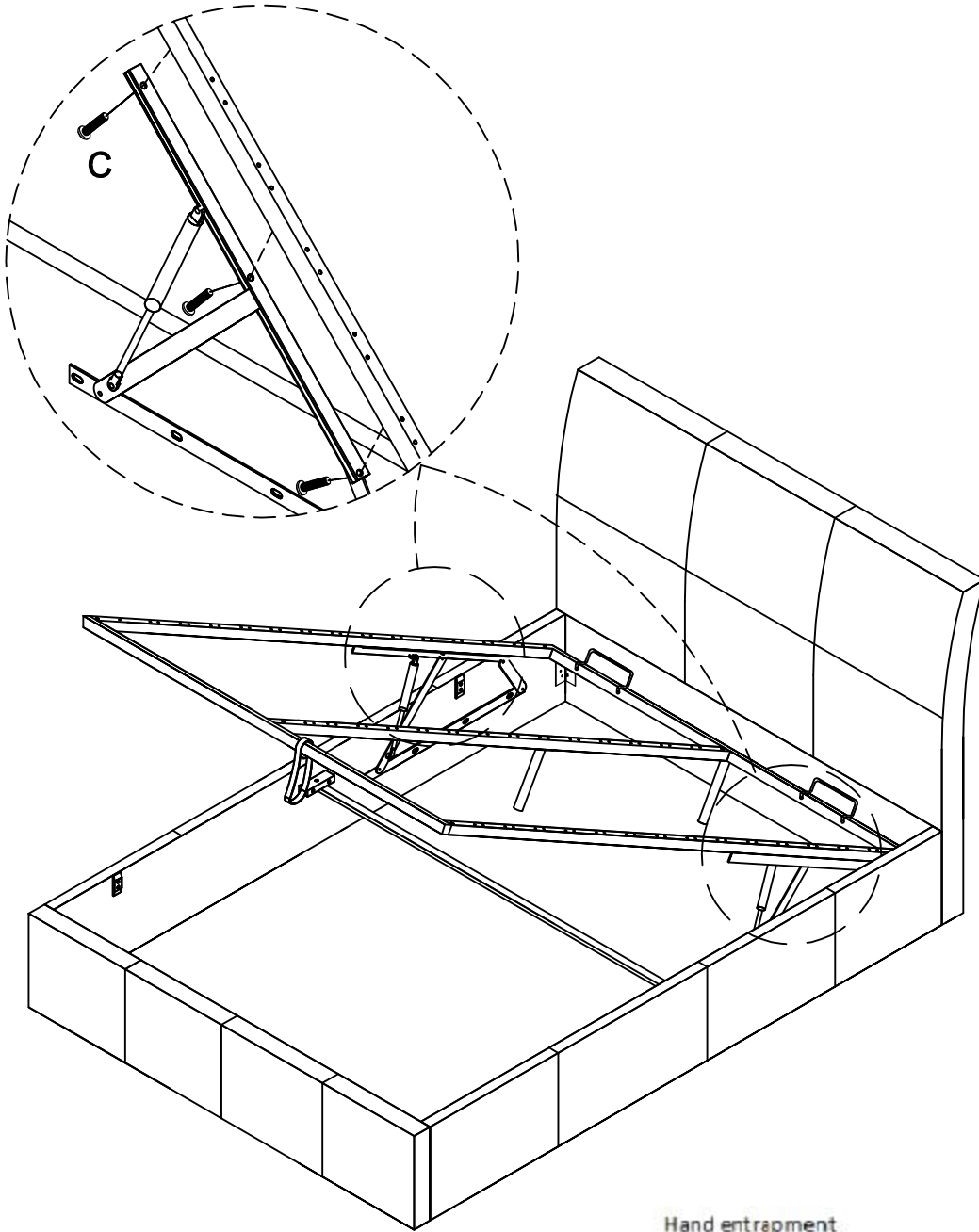


OTTOMAN BEDSTEAD ASSEMBLY INSTRUCTIONS

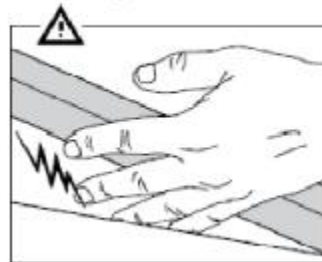
STEP 14

Parts Required

C x 6
J x 1



Hand entrapment



ATTACH THE BED BASE SIDE TUBES TO HINGES (14) USING BOLT (C), ONCE BASE IS ATTACHED PLEASE ENSURE THE SUPPORT LEG IS AT LEAST 10MM AWAY FROM THE STORAGE BASE.

OTTOMAN BEDSTEAD ASSEMBLY INSTRUCTIONS

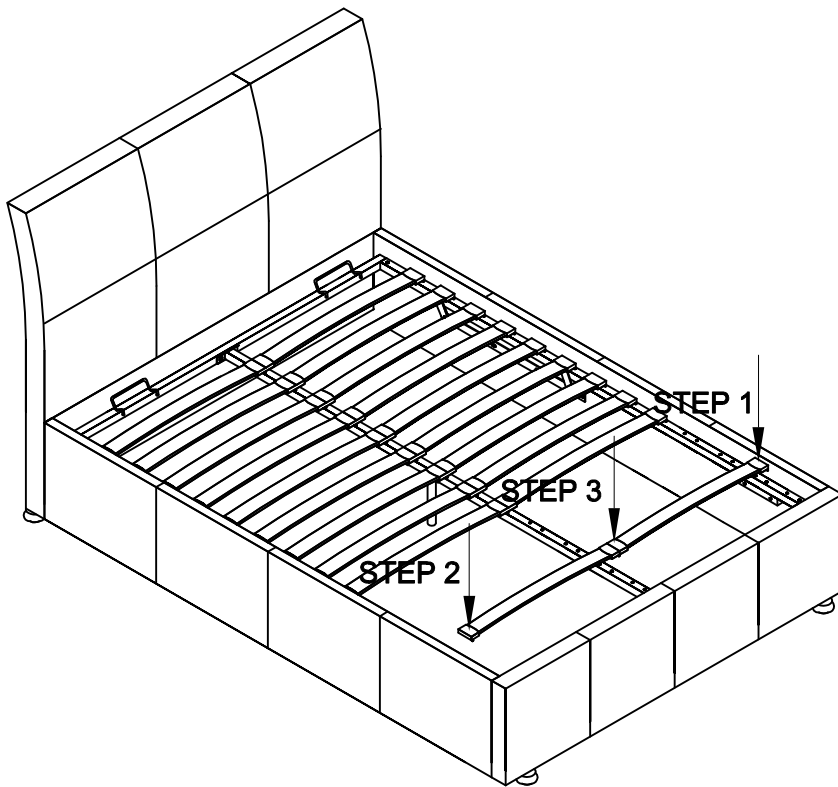
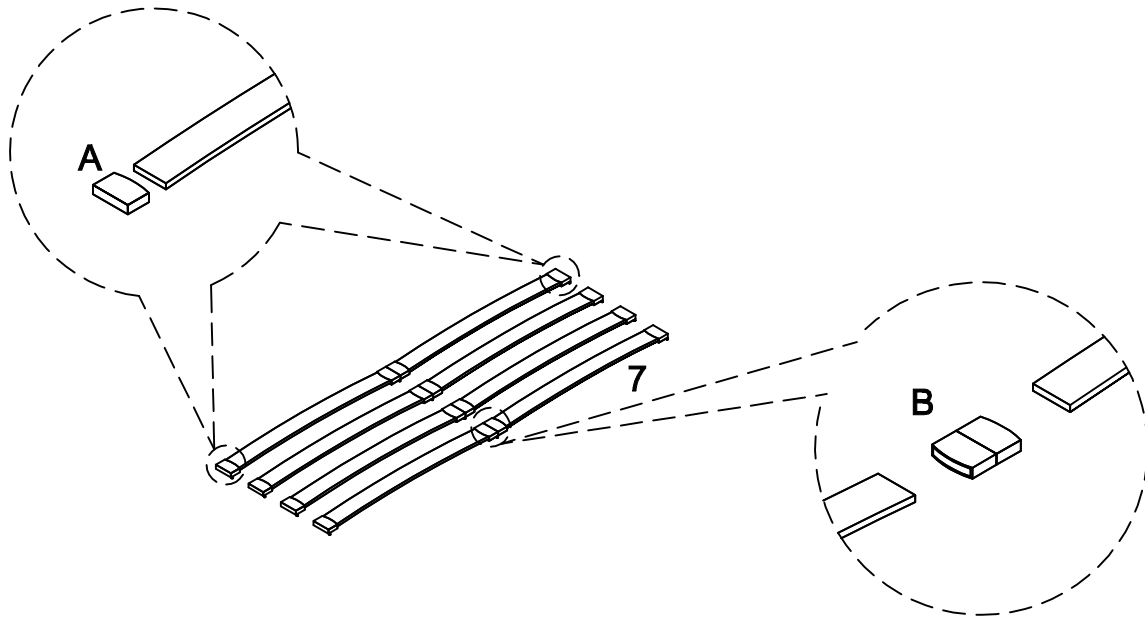
STEP 15

Parts Required

7. WOODEN SLAT x 26

A x 26

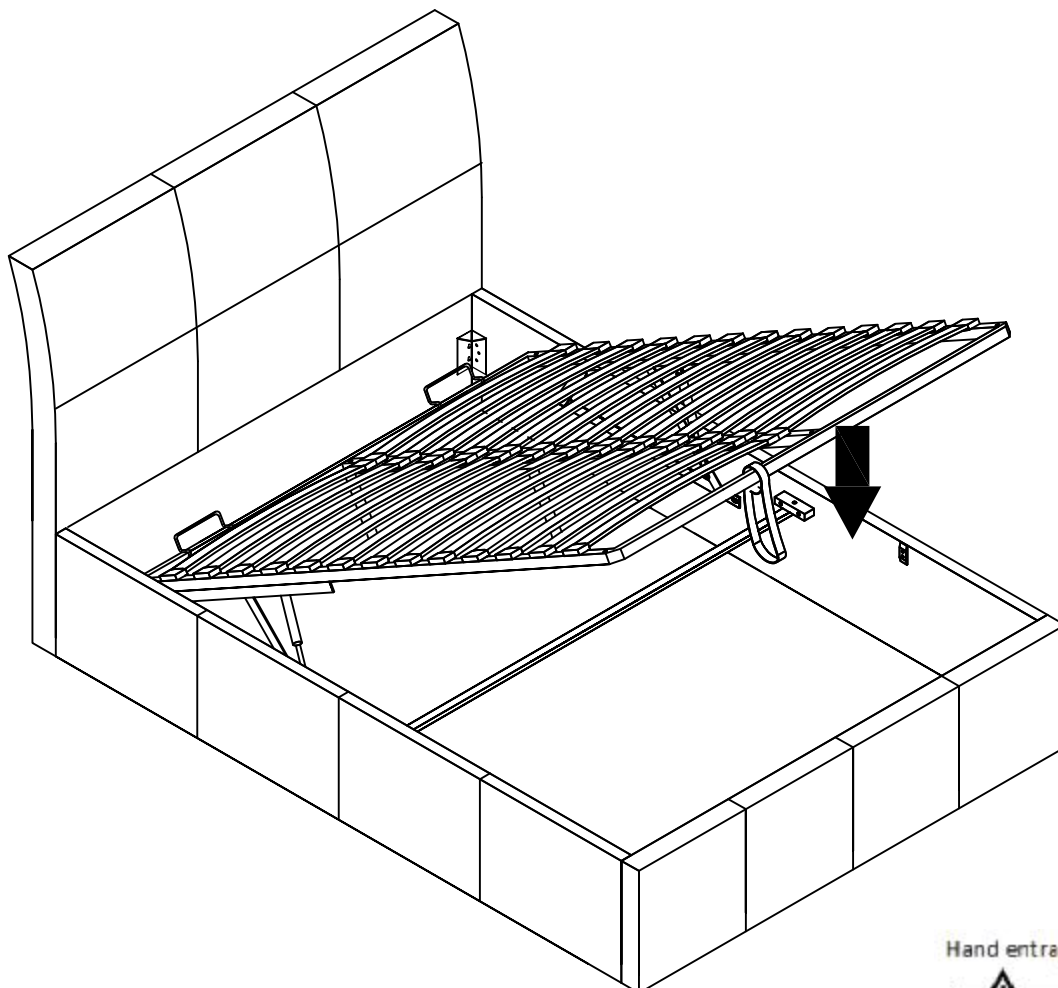
B x 13



OTTOMAN BEDSTEAD ASSEMBLY INSTRUCTIONS

Complete Assembly

Your bed frame is now completely assembled but the ottoman will not operate correctly unless a mattress is placed on the slat frame and will not stay shut unless the mattress remains in position. To position the mattress on the slat frame, simply place the mattress on top of the slat frame whilst it is in the up (open) position.



Hand entrapment



Lift with the strap (L) and close with the strap. The strap should always be accessible. Take care not to lean over the bed when lifting, if the mattress is thin and light, the frame may rise quickly. The speed of closing will also depend on the weight of the mattress; so always keep fingers well clear of the metal frame.

PLEASE NOTE - It takes a lot of force to make the initial movement of the ottoman - **THIS IS A DESIGN FEATURE OF THE PRODUCT SO THAT IT DOES NOT FALL SHUT** - and the nearer to being closed the ottoman is, the easier it is to move. When the ottoman is almost shut, it will close completely under its own weight.

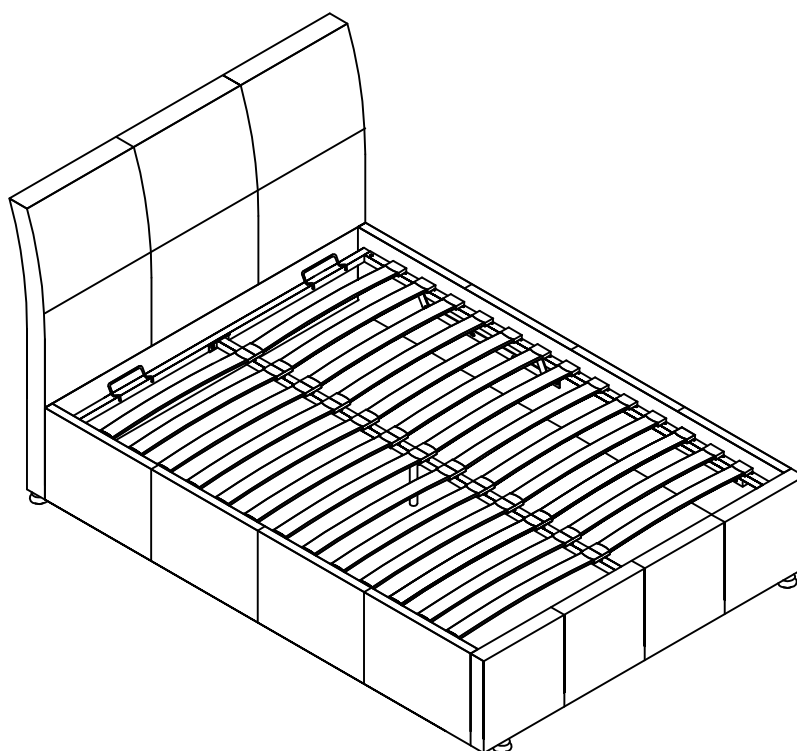
When lowering the slat unit for the first time, take care to make sure it does not rub unevenly on the inside face of the Side Rail. If it does, the bed has been assembled slightly out of square. This can be rectified by moving the Footboard of the bed slightly to the left or right whilst leaving the headboard of the bed frame stationary.

OTTOMAN BEDSTEAD ASSEMBLY INSTRUCTIONS

Complete Assembly

Your bed frame is now completely assembled.

Periodically check to ensure that the components are in their proper position, free from damage. Also, make sure the connectors are tight and secure.



Keep instructions for future reference