









# Assembly Instructions

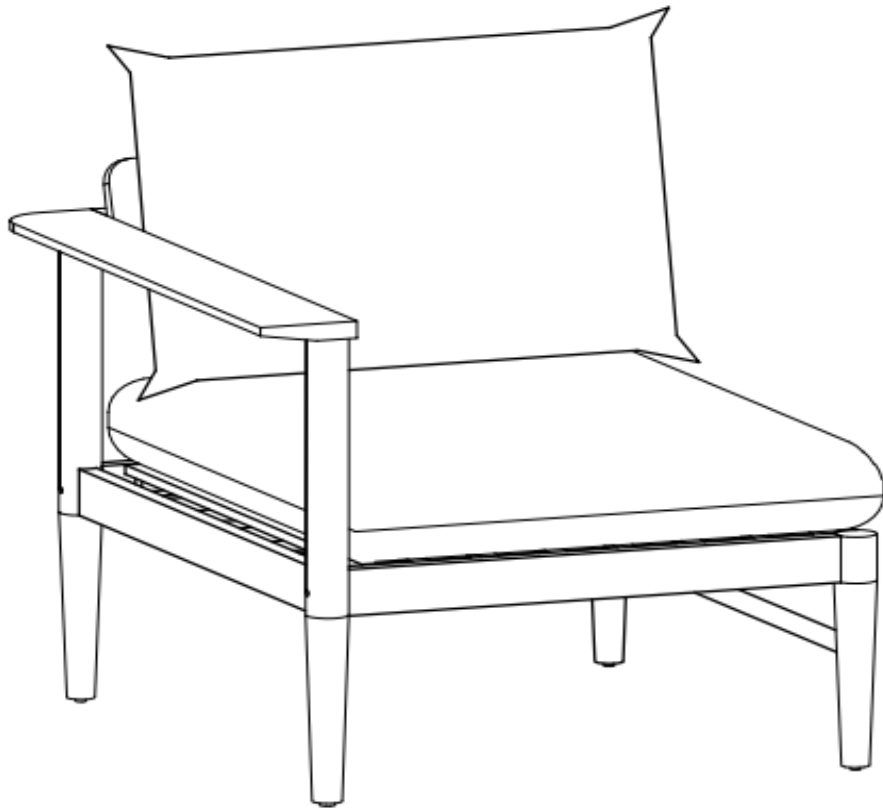
**CAUTION: You must read these Assembly Instructions before you proceed.**

## Care & Maintenance

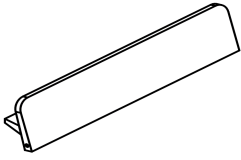
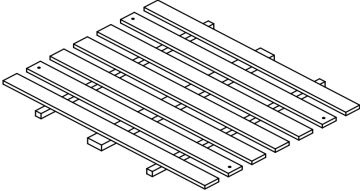
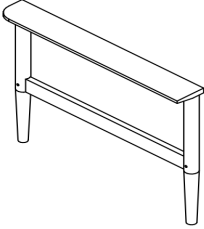
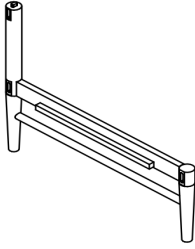
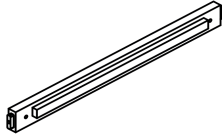
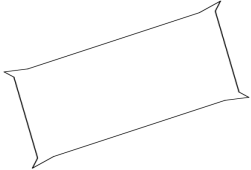
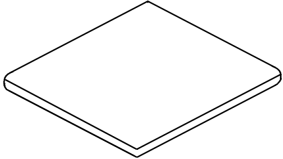
-  • Not for commercial use. For residential use only.
-  • Do not put hot items directly on furniture surface.
-  • Do not clean furniture with harsh cleansers or polish.
-  • To obtain the longest lifespan of your outdoor product minimizing exposure to direct sunlight is recommended.
-  • Children should not climb or jump on the furniture.
-  • Do not write on furniture without a padded barrier to protect the surface.
-  • To obtain the longest lifespan of your outdoor products, avoid extended and lengthy exposure to rain, snow, and direct sunshine. Whenever possible cover the product and /or place under patio or awnings.
-  • Stains may be removed with mild soap solution and damp cloth.
-  • Dust and pick-up spills using a clean, non-colored, lint-free cloth.

Please look in the Leg Panel for Hardware packs



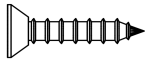

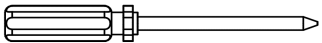
# LEFT CHAIR



## Parts List:

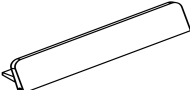
Label	Picture	Description	QTY
A		Backrest Panel	1
B		Seat Panel	1
C		Left Leg Panel	1
D		Right Leg Panel	1
E		Support Bar	2
F		Back Cushion	1
G		Seat Cushion	1

## Hardware:

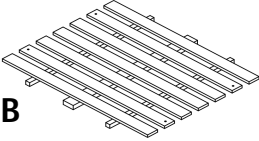
No	Picture	Description	QTY
①		Bolt (M6x80mm)	7
②		Nut (6x13mm)	7
③		Screw (M4x25mm)	5
④		Allen Wrench	2
⑤		Screwdriver	Not provided

## Assembly Preparation:

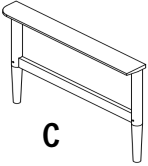
### Before Beginning Assembly:



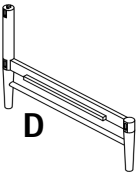
**A**




**B**



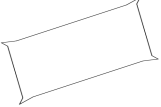
**C**



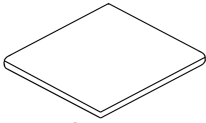
**D**





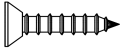
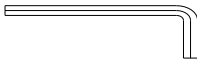

**Ex2**








**F**



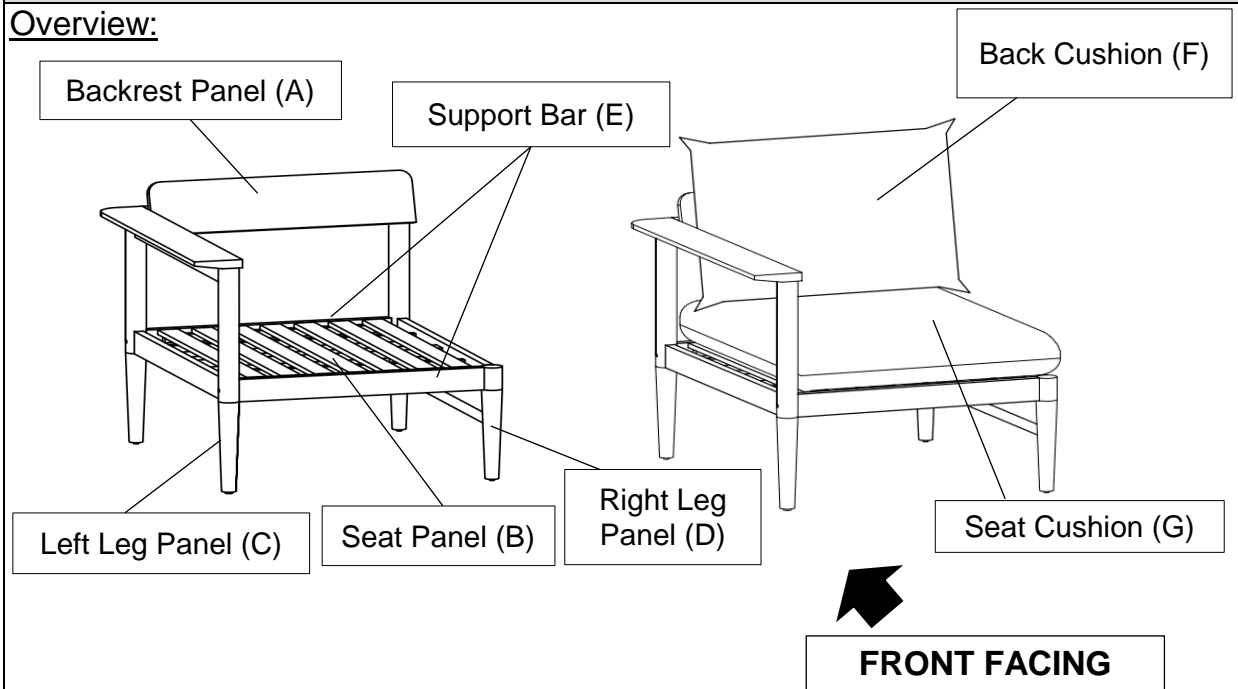
**G**

①		<b>x7</b>
②		<b>x7</b>
③		<b>x5</b>
④		<b>x2</b>
⑤		<b>x1</b>

-  • Read instructions, cover to cover-
-  • Have 2 adults on hand for assembly-
-  • Do not assemble on flooring or carpet-
-  • Assemble on a clean non-marring surface (packing foam)-
-  • Save all packaging until finished-

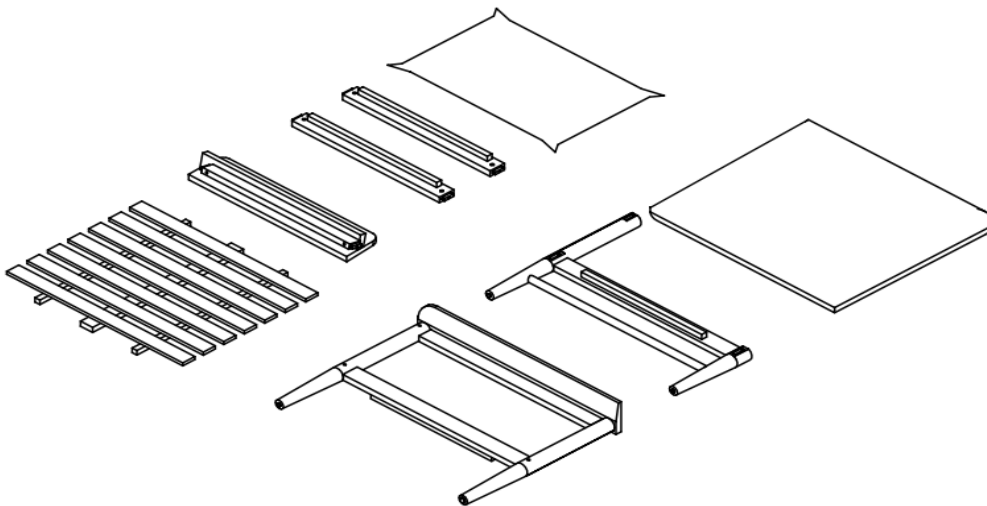
## Assembly Steps:

### Overview:



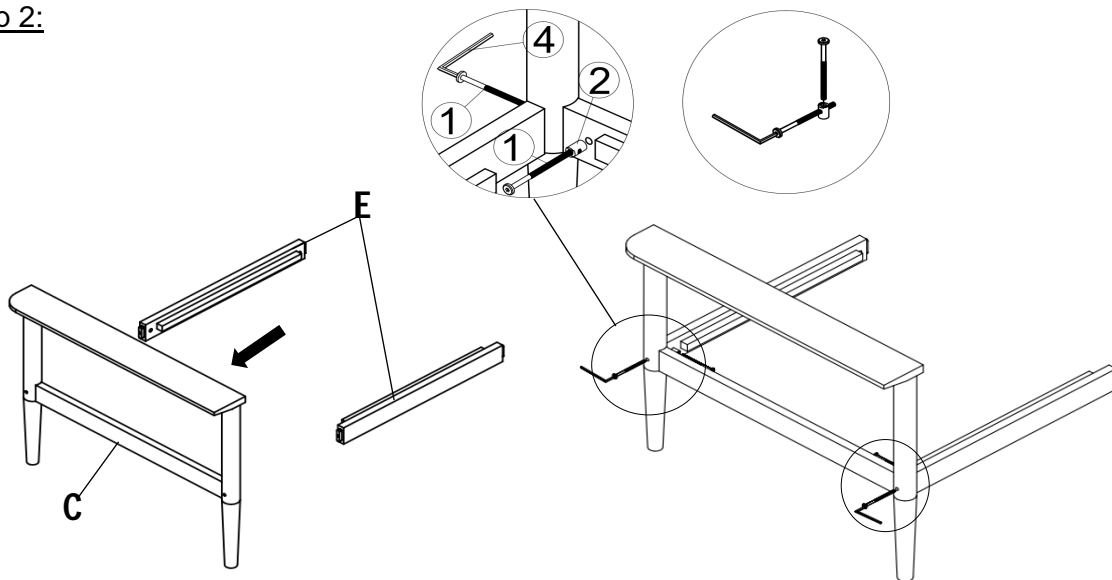
This Chair has multiple parts and may require up to 30 minutes to assemble. To give you an overview of the Chair parts, the above picture is to help you put the various parts into perspective. Please read through the instructions below to familiarise yourself with the parts and steps before assembly.

### Step 1:



Unpack and place all parts on a clean, non-marring surface.

**Step 2:**

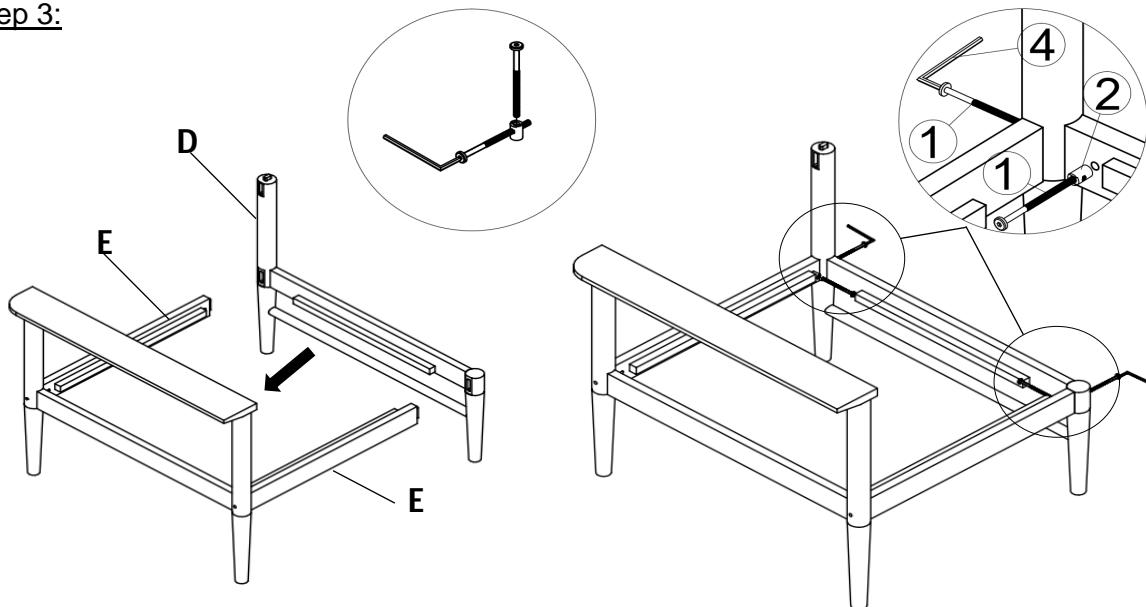


With the help of your adult partner, put the tenons of 2 Support Bars (E) to the mortises of Left Leg Panel (C) and then secure by using Bolts (①), Nuts (②), Bolt (①) and Allen Wrench (④) as shown in the picture above.

**Note:** Affix the Bolt (①) into the Nut (②) inside the Left Leg Panel (C) then remove Bolt (①) from the Nut (②).

**DO NOT** fully tighten the Bolts.

**Step 3:**

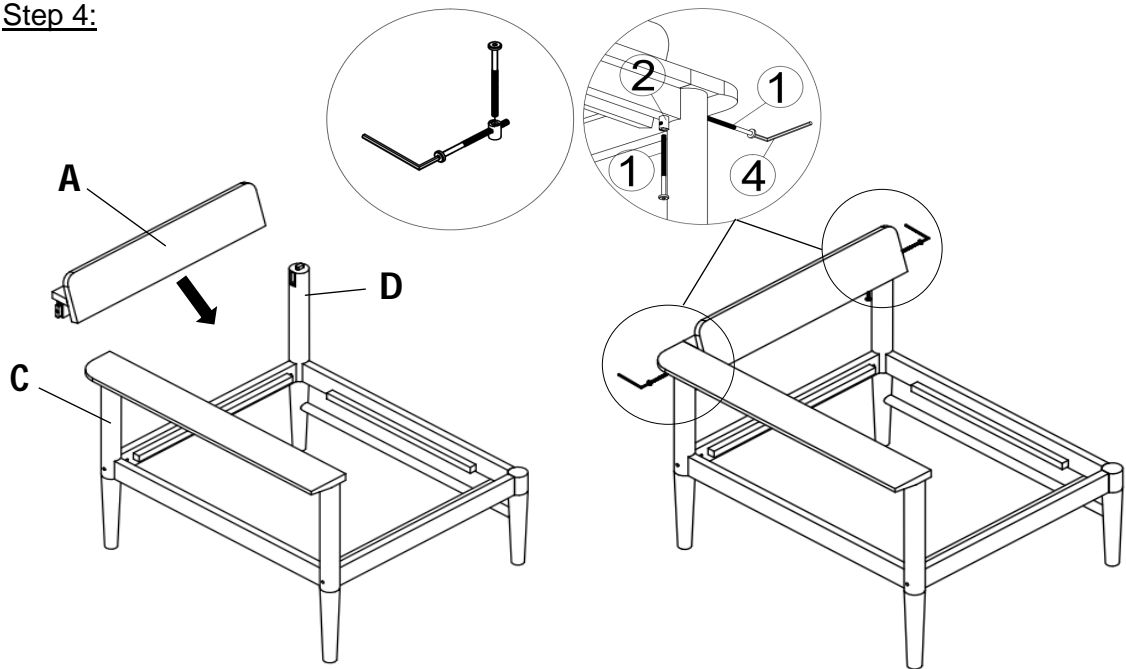


With the help of your adult partner, put the mortises of Right Leg Panel (D) to the tenons of 2 Support Bars (E) in the assembled part in Step 2 and then secure by using Bolts (①), Nuts (②), Bolt (①) and Allen Wrench (④) as shown in the picture above.

**Note:** Affix the Bolt (①) into the Nut (②) inside the Right Leg Panel (D) then remove Bolt (①) from the Nut (②).

**DO NOT** fully tighten the Bolts.

**Step 4:**

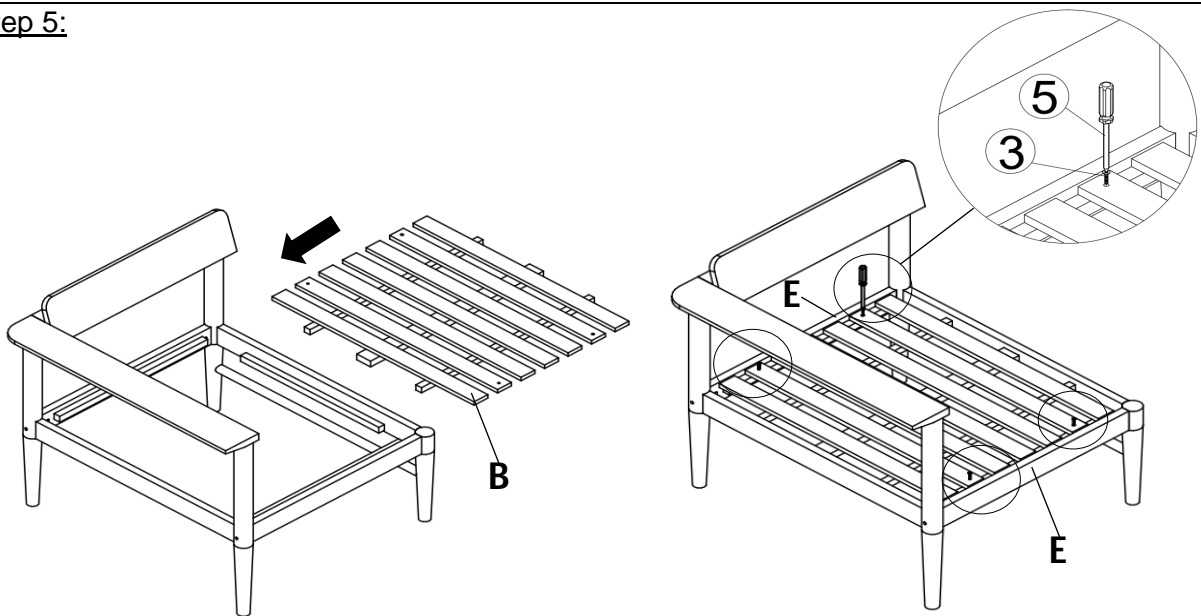


Attach the Backrest Panel (A) to the assembled part in Step 3 as shown above then secure the Backrest Panel (A) to the Leg Panels (C, D) by using Bolts (①), Nuts (②), Bolt (①) and Allen Wrench (④).

**Note:** Affix the Bolt (①) into the Nut (②) inside the Right Leg Panel (D) then remove Bolt (①) from the Nut (②).

**DO NOT** fully tighten the Bolts.

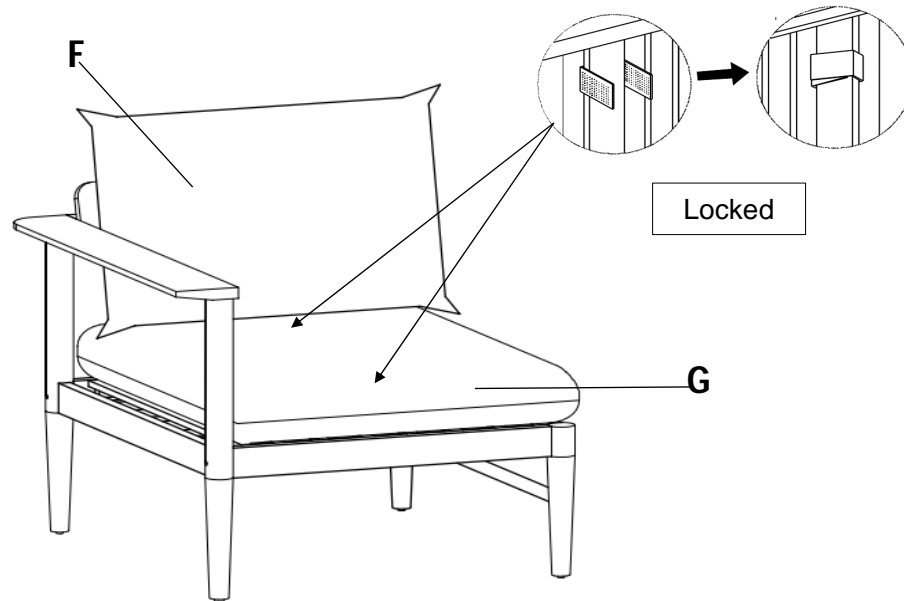
**Step 5:**



Place the Seat Panel (B) to the assembled part in Step 4 and then secure the Seat Panel (B) to the Support Bars (E) by using Screws (③) and Screwdriver (⑤) as shown in the picture above.

**DO NOT** fully tighten the Screws.

**Step 6:**



Inspect it and make sure all parts are adequately connected.

Gently and gracefully, sit onto the Chair.

This will help to align all the parts at all joint areas.

Then get off the Chair and in a sequential manner, gradually tighten all Bolts, Screws at all joints until evenly connected.

If there are still wobbles, loosen the Bolts, Screws and execute this same process.

Place the Seat Cushion (G) by affix the Magic Tape Straps on the Seat Panel (B) then place the Back Cushion (F) onto the Seat Cushion (G) as shown above.

**WARNING!! IF CHAIR IS NOT STABLE, IT COULD LEAD TO DAMAGING THE PRODUCT.**

**Your Chair is ready for use.**

**This Chair can only be used on a flat, level surface.**