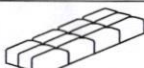
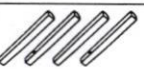


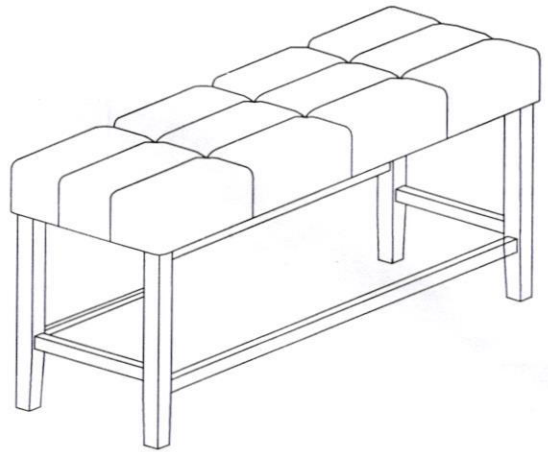


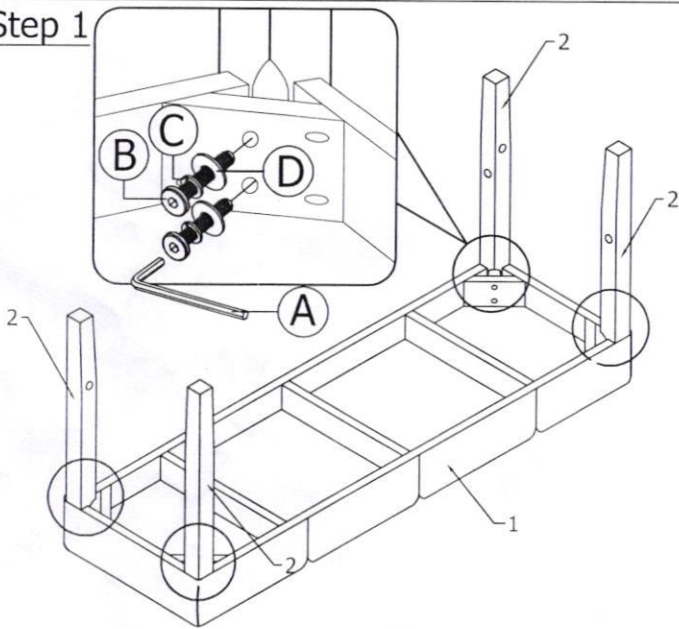
ASSEMBLY INSTRUCTIONS

Part List		
1	Cushion Seat 	1 pc
2	Leg L & R 	4 pcs
3	Stretcher -Long 	2 pcs
4	Stretcher -Short 	2 pcs

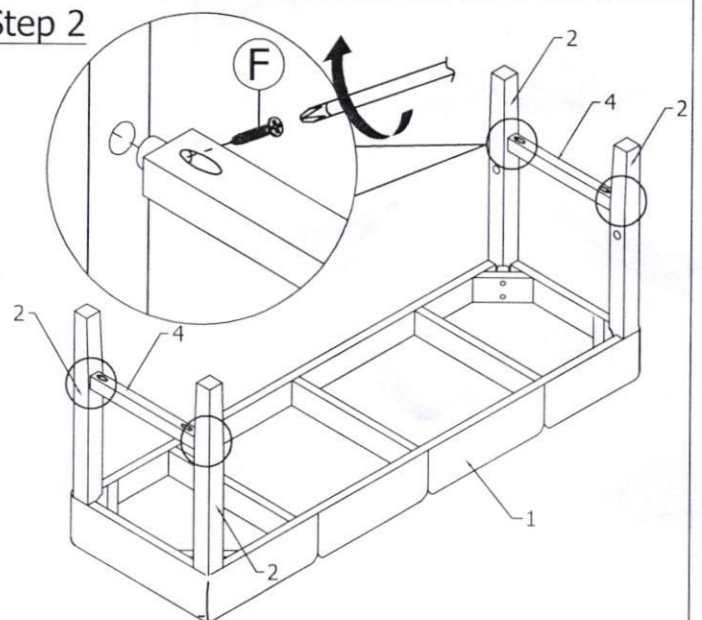
Hardware List		
A	Allen Key 	1 pc
B	JCBC Screw M6 x 50mm 	8 pcs
C	Spring Washer 	8 pcs
D	Flat Washer 	8 pcs
E	PVC Nail 	4 pcs
F	CSK SCREW M4 x 38mm 	8 pcs



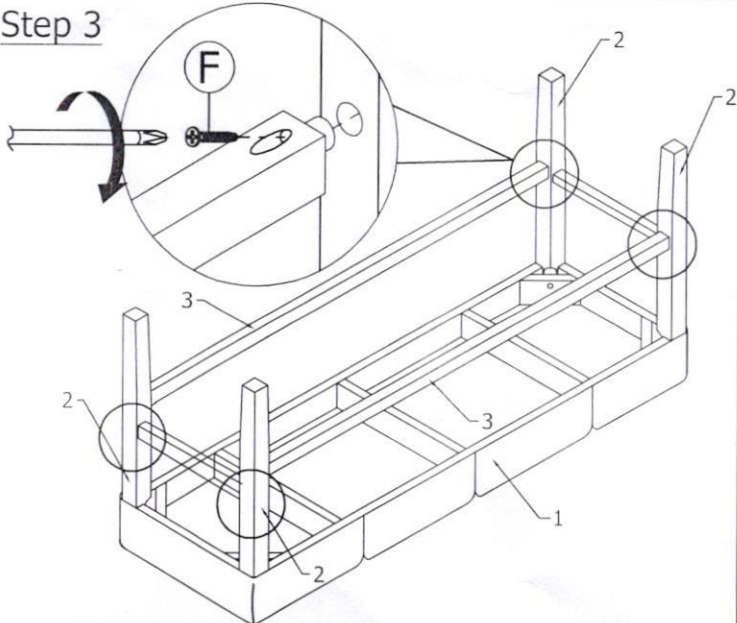
Step 1



Step 2



Step 3



Step 4

