

ASSEMBLY INSTRUCTIONS

30044 TABLE

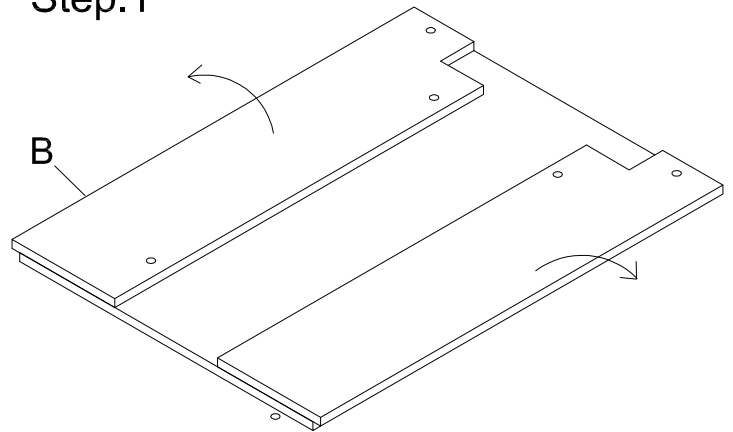
PARST LIST

No.	DESCRIPTION	SKETCH	Q'TY
A	TOP		1PC
B	SIDE PANEL+BACK PANEL		1SET
C	LEFT BACK LEG		1PC
D	RIGHT BACK LEG		1PC
E	LEFT FRONT LEG		1PC
F	RIGHT FRONT LEG		1PC
G	CENTER STRETCHER		1PC
H	BACK STRETCHER		1PC
I	SHELF		2PC
J	BOTTOM PANEL		1PC

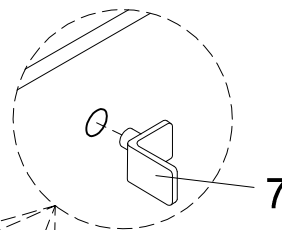
HARDWARE LIST

NO.	DESCRIPTION	SKETCH	Q'TY
1	ALLEN KEY 4MM		1PC
2	BOLT Ø1/4"*57MM		8PCS
3	BOLT Ø1/4"*35MM		11PCS
4	SPRING WASHER Ø1/4"		19PCS
5	FLAT WASHER Ø1/4"X19MM		19PCS
6	SCREW 45MM		3PCS
7	SHELF PIN		8PCS

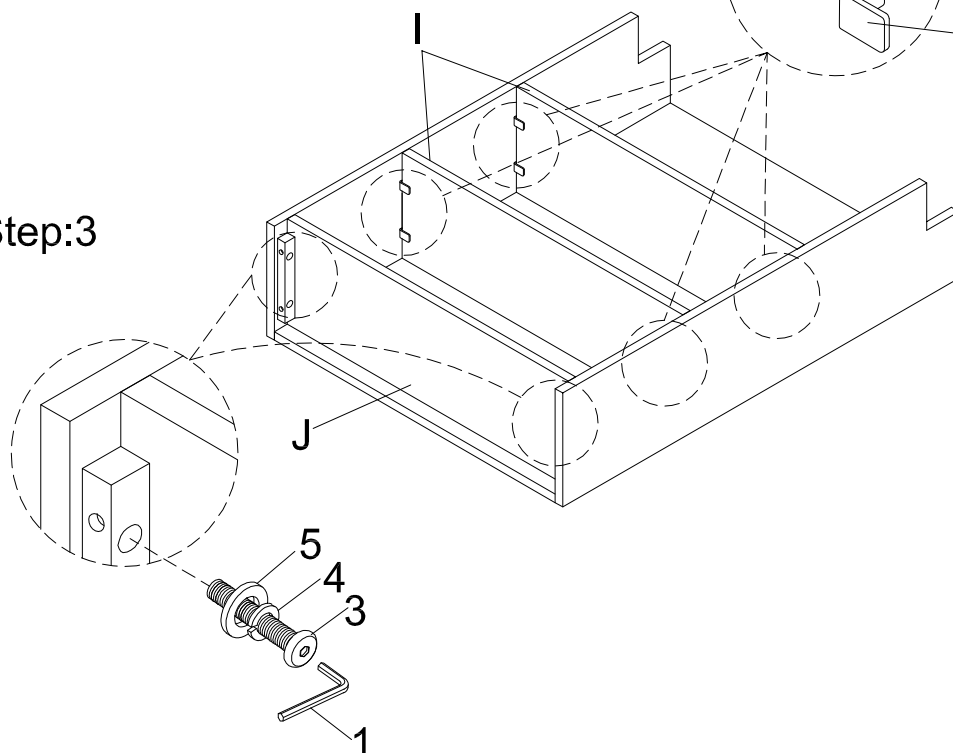
Step:1



Step:2



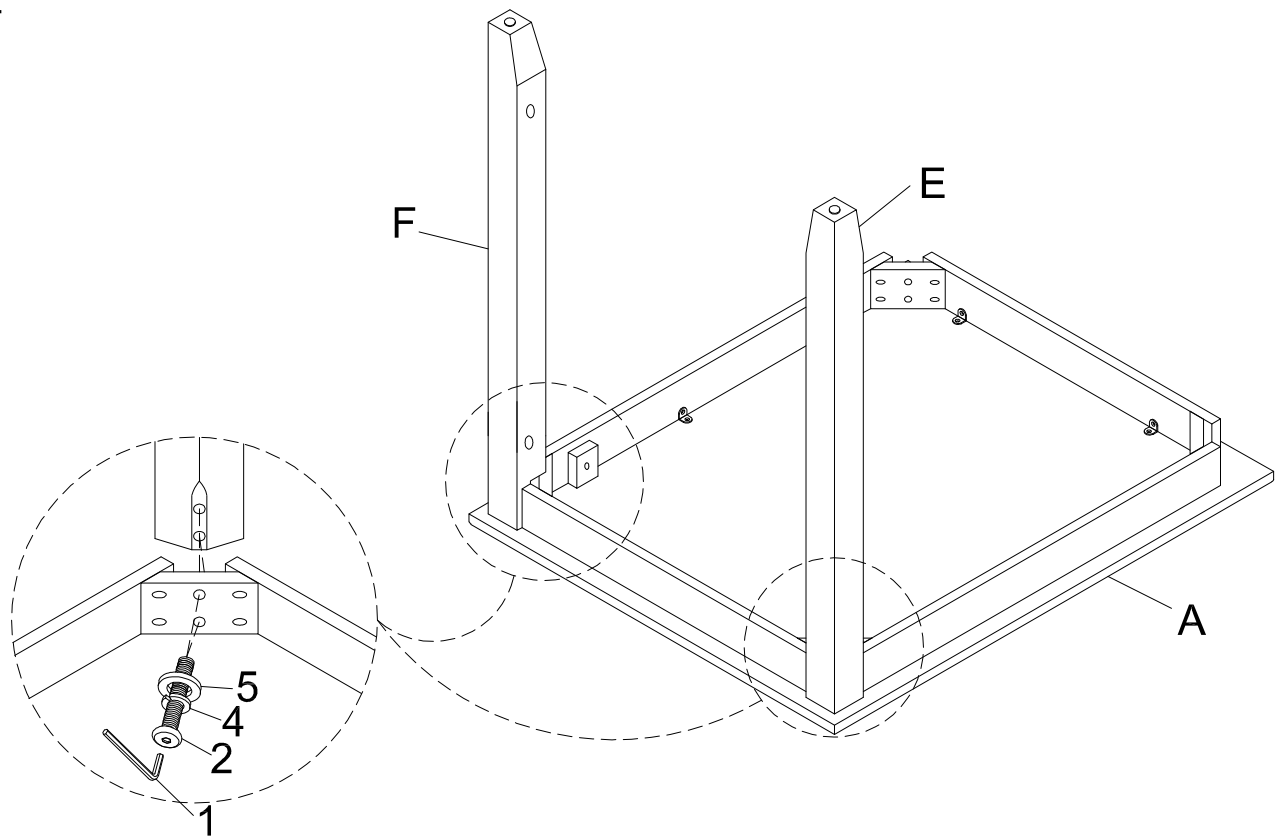
Step:3



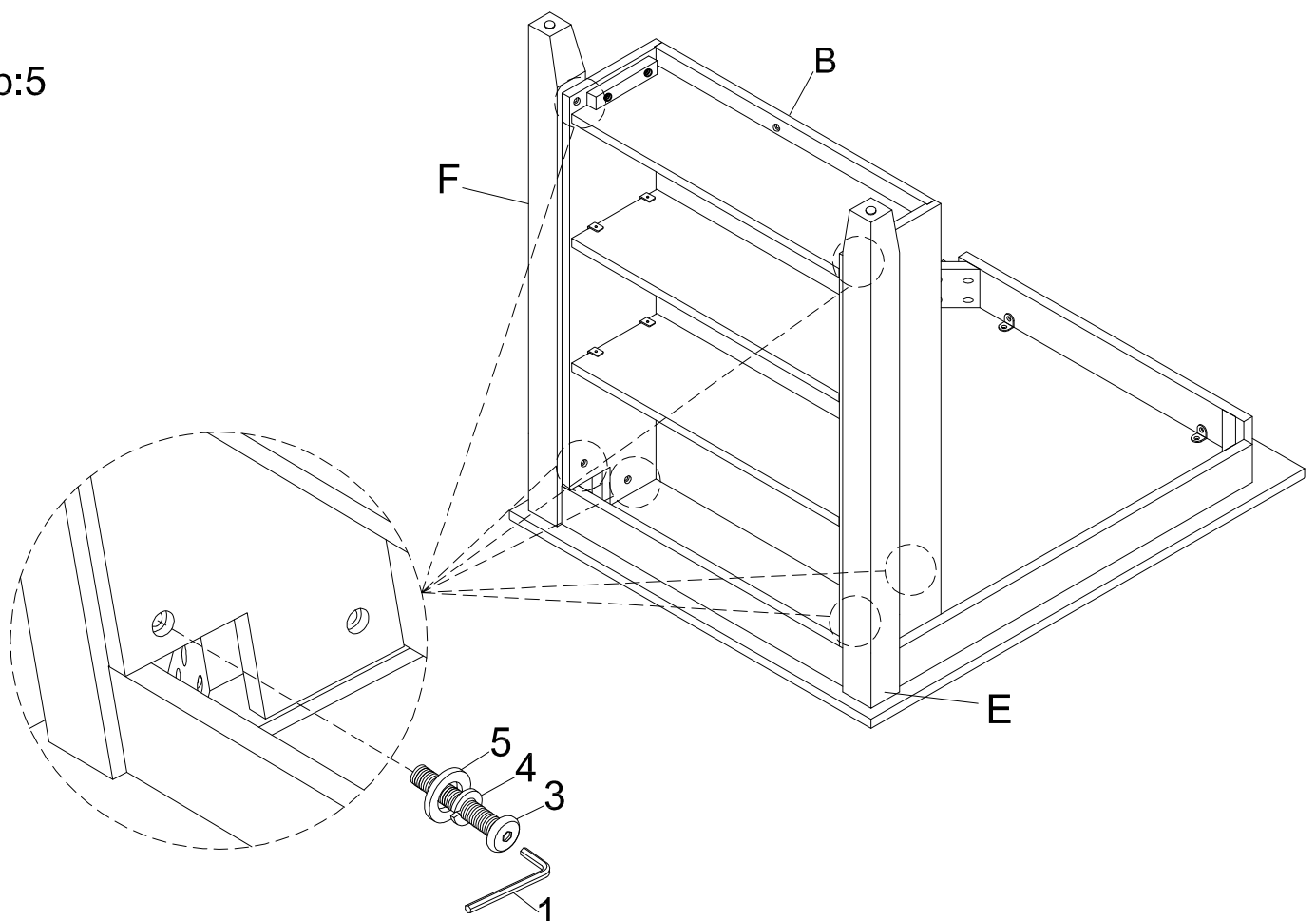
ASSEMBLY INSTRUCTIONS

30044 TABLE

Step:4



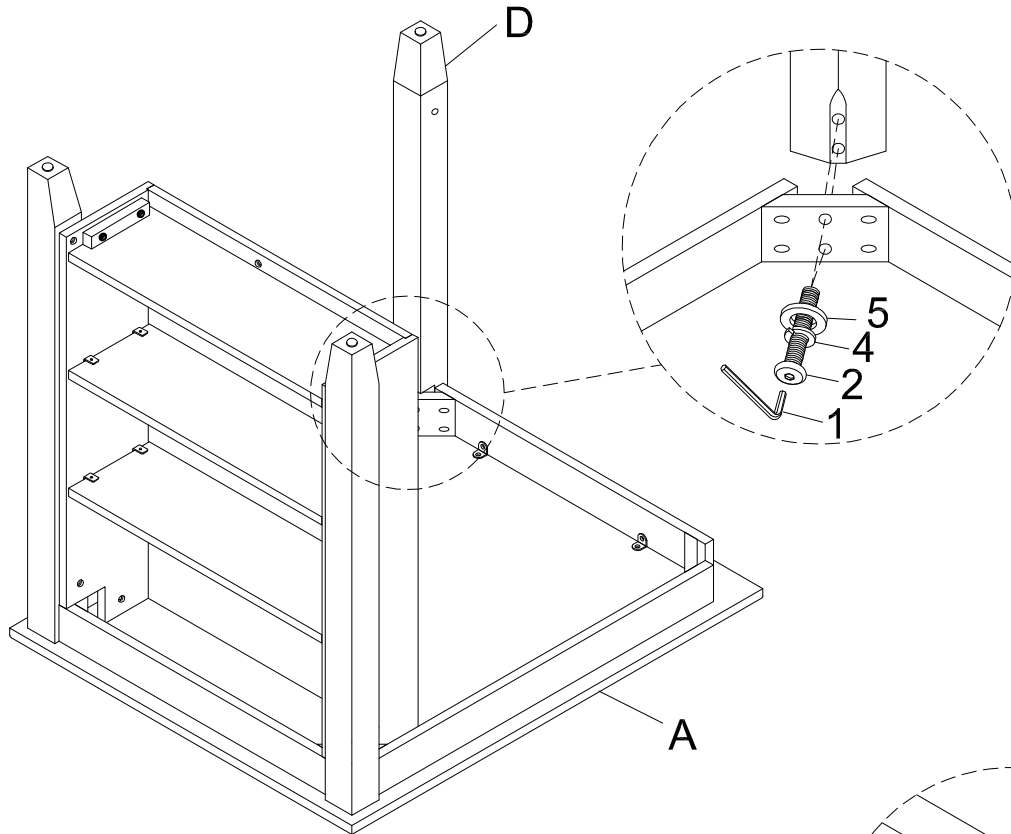
Step:5



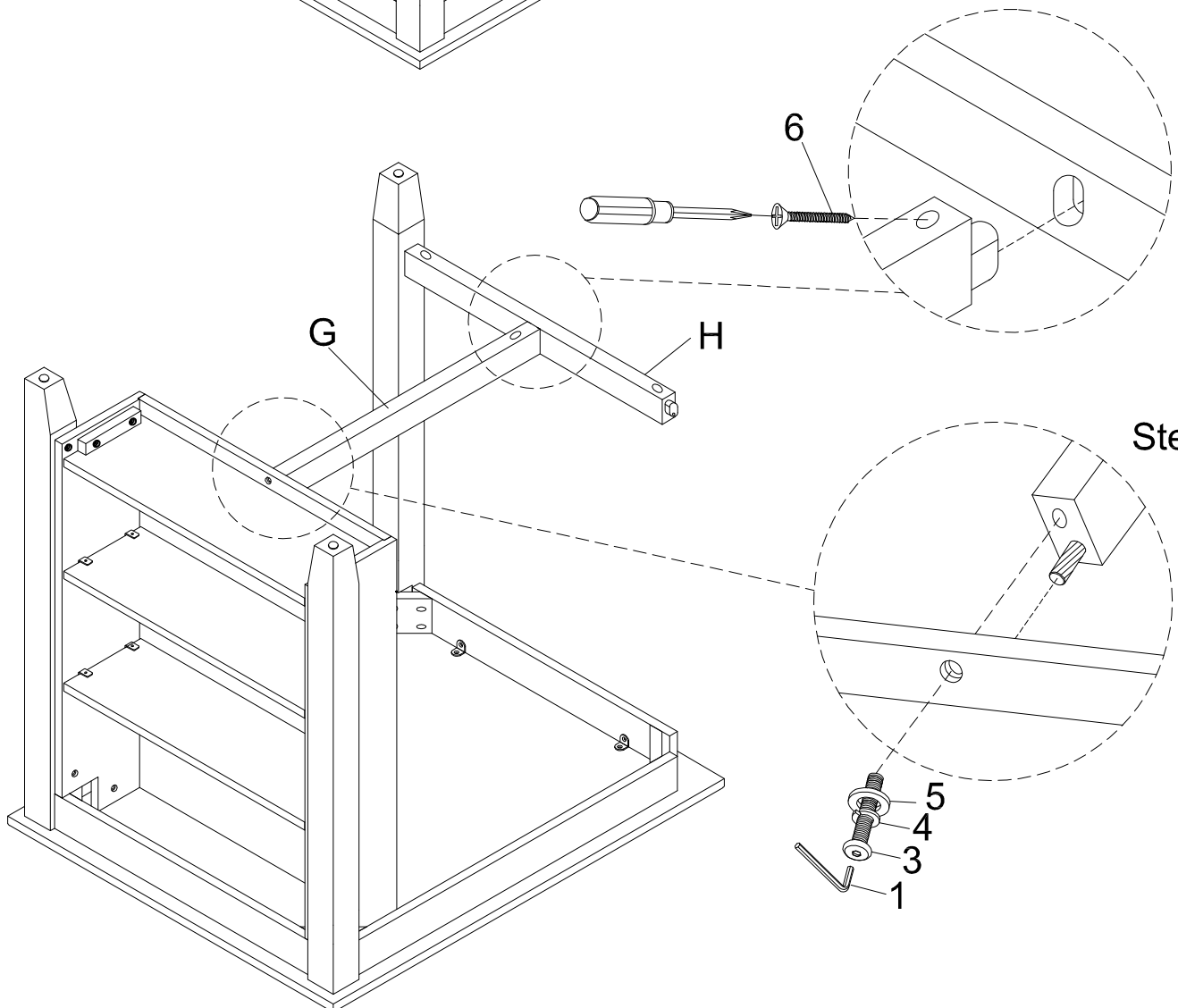
ASSEMBLY INSTRUCTIONS

30044 TABLE

Step:6



Step:6



Step:7

ASSEMBLY INSTRUCTIONS

30044 TABLE

