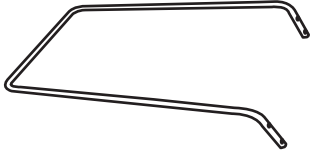
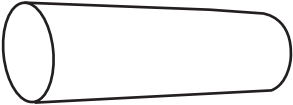
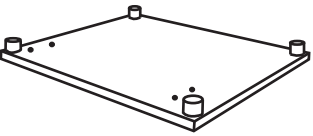
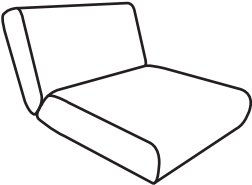
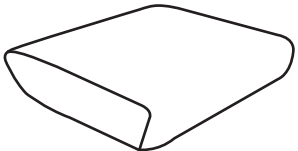
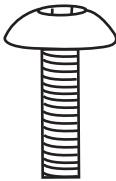



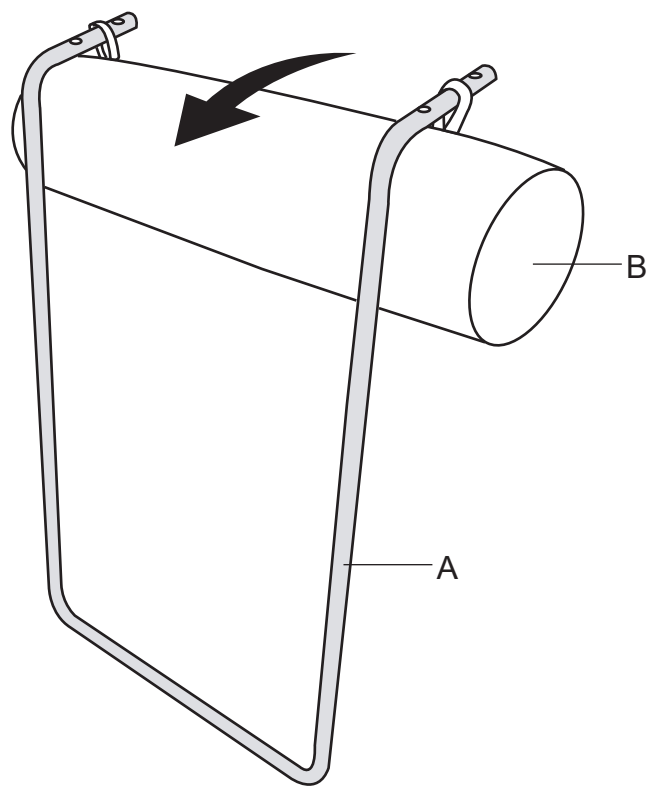
PARTS:

<p>A*1</p> 	<p>B*1</p> 
<p>C*1</p> 	<p>D*1</p> 
<p>E*1</p> 	

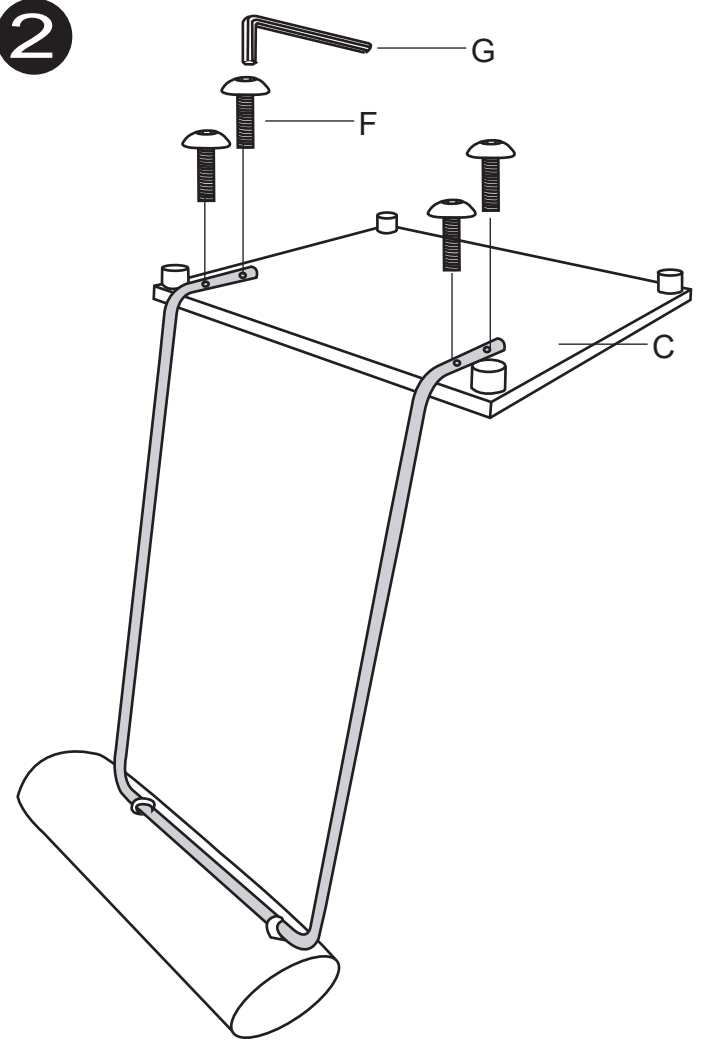
HARDWARE:

<p>F*4</p>  <p>M6*35MM</p>	<p>G*1</p>  <p>M6</p>
--	--

1

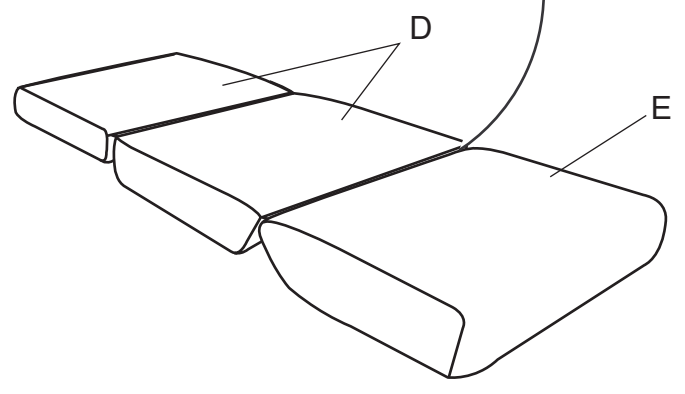
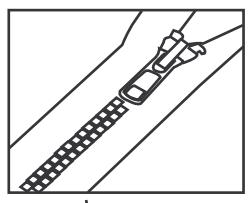


2



3

Connect D and E together with a zipper as below



4

Take out the backpack and seat bag, and pat all four corners with your hand.

