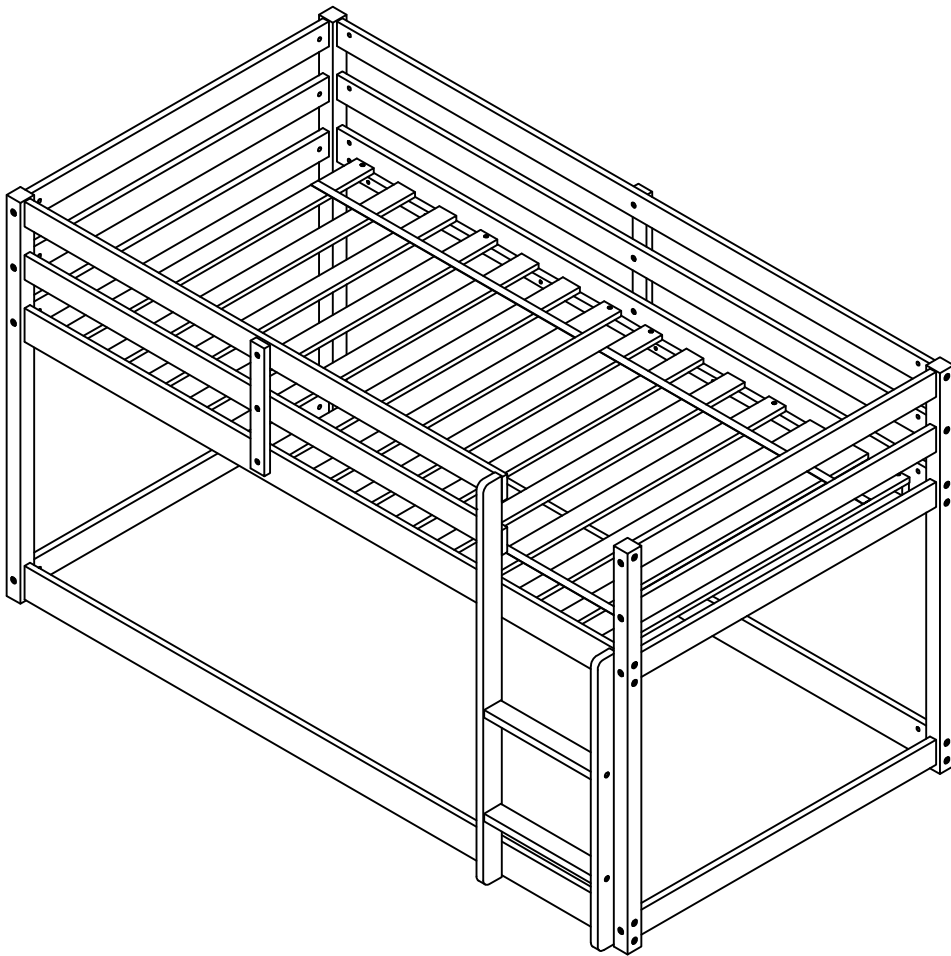


ASSEMBLY INSTRUCTIONS

LOFT TWIN BED



DN11728



SAFETY WARNING



1. This bed is designed for use only mattress (es) meeting the following specifications on the upper bunk, and lower bunk:

Down bed

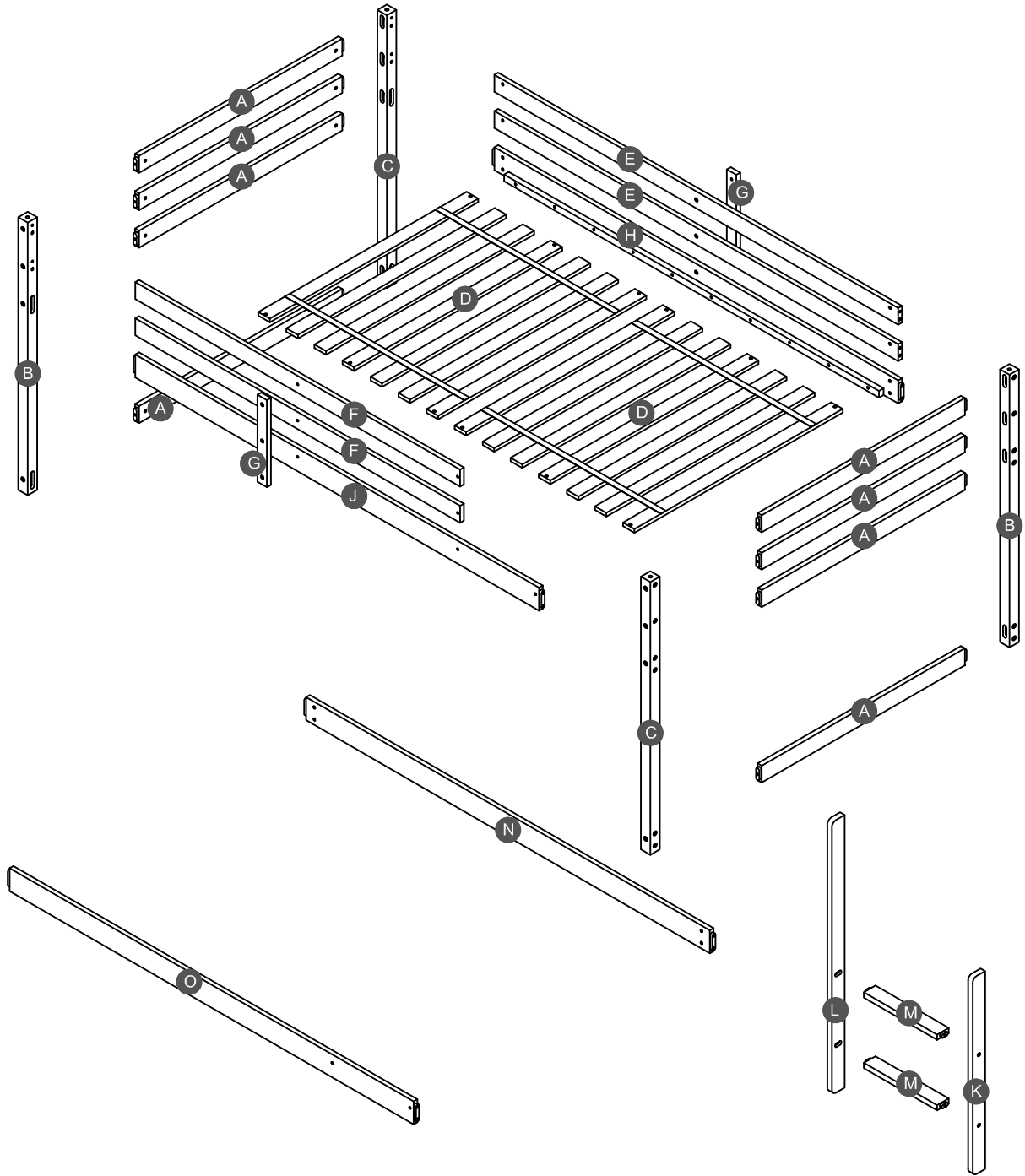
Bed type	Length	With	Thickness
Twin Standard	74"-75"	38 1/2"	6" max

Up bed (Bunk bed and tribed included)

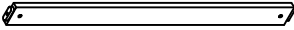
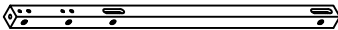
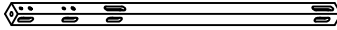
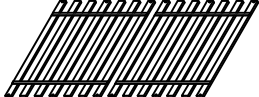
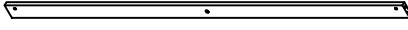



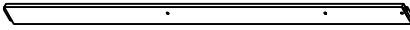
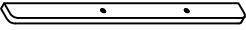
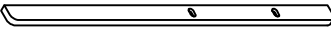
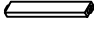


Bed type	Length	With	Thickness
Twin Standard	74"-75"	38 1/2"	6" max

2. Replacement parts, including additional guardrails, maybe obtained from any of our FREIGHTMAN EC CO.,LTD.
3. Follow the information on the warnings appearing on the upper bunk bed end structure and on the carton. Do not remove warning label from bed.
4. Always use the recommended size mattresses or mattress supports, or both, to help prevent the likelihood of entrapment or falls.
5. Surface of mattress must be at least 5" (127mm) below the upper edge of guardrails.
6. Do not allow children under 6 years of age to use the upper bunk.
7. Periodically check and ensure that the guardrail, ladder, and other components are in their proper position, free from damage, and that all connectors are tight.
8. Do not allow horseplay on or under the bed and prohibit jumping on the bed.
9. Always use the ladder for entering and leaving the upper bunk.
10. Do not use substitute part. Contact the manufacture or dealer for replacement part.
11. Use of a night light may provide added safety precaution for a child using the upper bunk.
12. Always use guardrails on both long sides of the upper bunk. If the bunk bed will be placed next to the wall, the guardrail that runs the full length of the bed should be placed against the wall to prevent entrapment between the bed and wall.
13. The use of water or sleep flotation mattresses is prohibited.
14. STRANGULATION HAZARD - Never attach or hang items to any part of the bunk bed that are not designed for use with the bed; for example, but not limited to, hook, belts and jump ropes.
15. Keep these instruction for future reference.

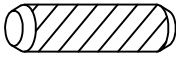


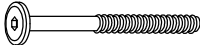
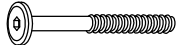




Detail View



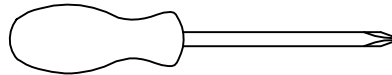
Part List

A  Horizontal bar HB/FB - 8pcs	B  Leg (Left Front /Right Back)- 2pcs	C  Leg (Left Back/Right Front)- 2pcs
D  Slats - 2sets (7pcs/set)	E  Long guard rail (Back) - 2pcs	F  Short guard rail (Front) - 2pcs
G  Vertical guard rail - 2pcs	H  Upper side rail (Back)- 1pc	J  Upper side rail (Front)- 1pc
K  Right side ladder - 1pc	L  Left side ladder - 1pc	M  Step ladder - 2pcs
N  Lower side rail (Back)- 1pc	O  Lower side rail (Front)- 1pc	

Hardware List



1  Ø10*40mm	2  (1/4")4.5*58mm	3  (Ø15)1/4"*100mm
Wood dowel (6pcs)	Allen key (1pc)	Hex-Head bolts (22pcs)
4  (Ø15)1/4"*80mm	5  (Ø12)1/4"*60mm	6  (Ø12)1/4"*30mm
Hex-Head bolts (16pcs)	Hex-Head bolts (4pcs)	Hex-Head bolts (6pcs)
7  1/4"*15 (9.5mm)	8  (Ø12)1/4"*40mm	9  Ø4*30mm
Horizontal-Hole bolts(42pcs)	Hex-Head bolts (6pcs)	Wood screws (12pcs)

ASSEMBLY TOOLS REQUIRED (NOT INCLUDED)




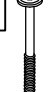


PLEASE BE CAREFUL DO NOT DAMAGE THE HOLE POSITION WHEN YOU USE POWER TOOLS !

STEP 1:



4		7	
16PCS		16PCS	

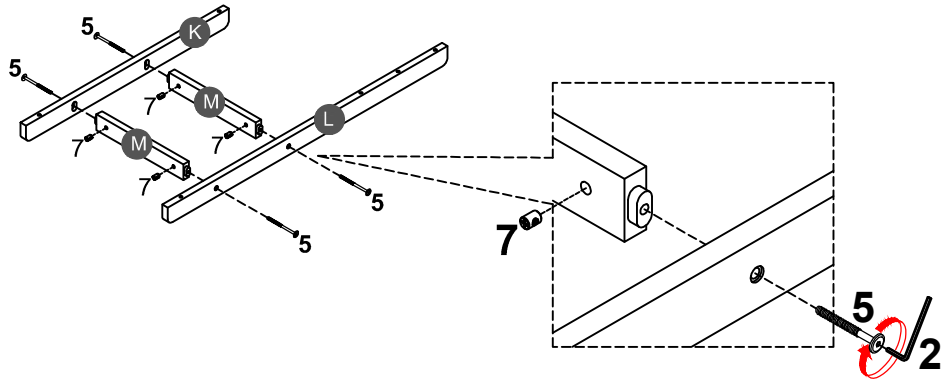
Note: Part 7 will face up with the "x" mark on it, otherwise it cannot be tightened

STEP 2:


1		3		6		7	
6PCS		22PCS		6PCS		22PCS	

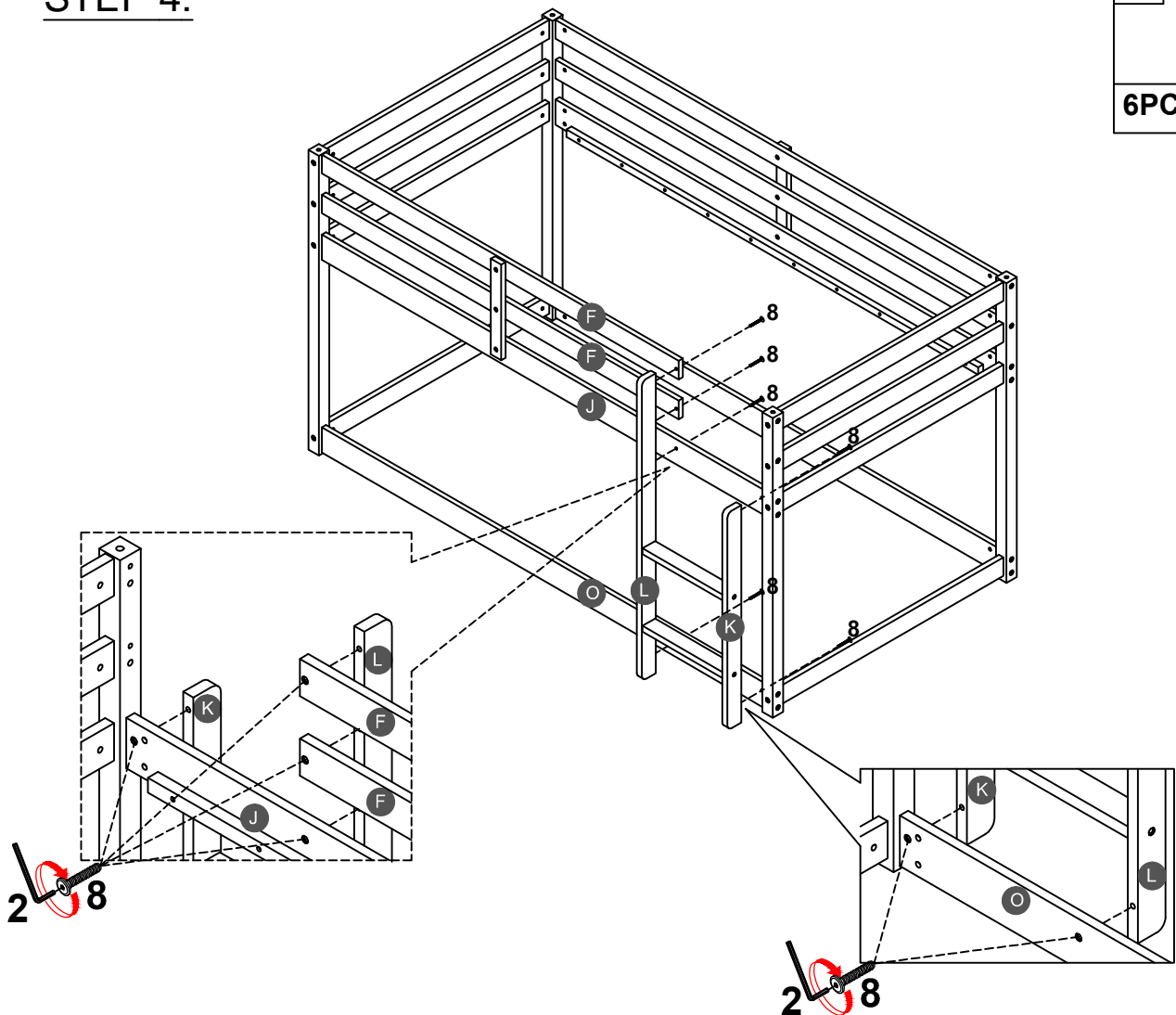
STEP 3:

5		7	
4PCS		4PCS	



STEP 4:

8	
6PCS	

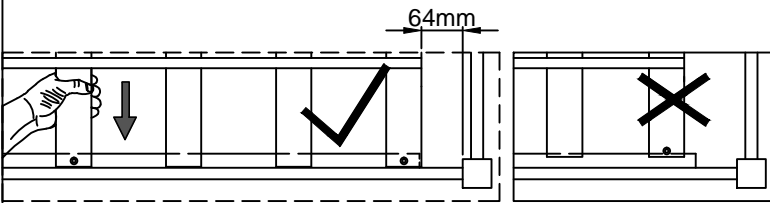
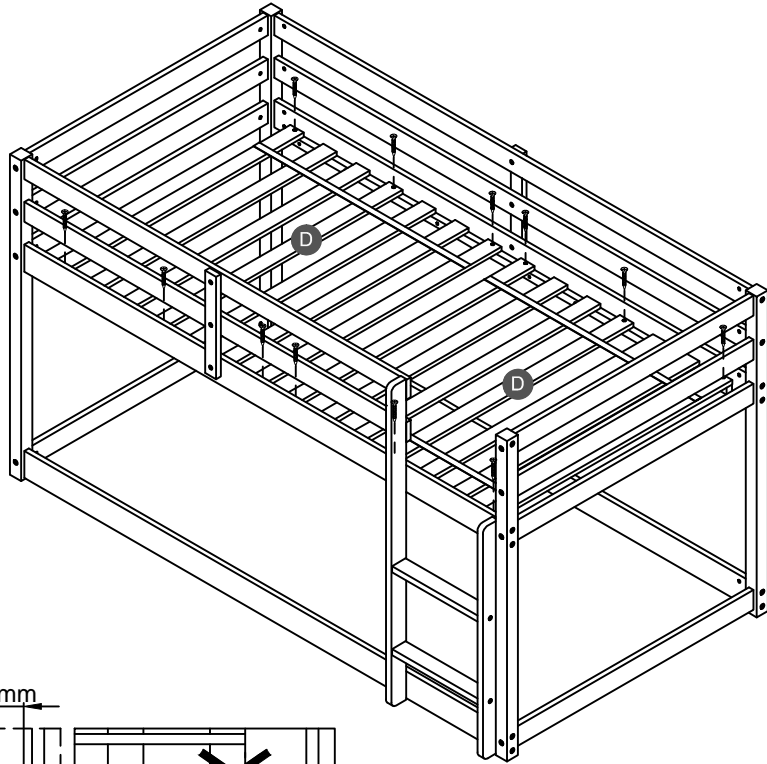
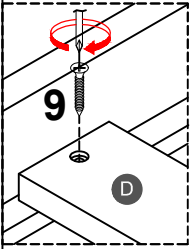


STEP 5:

9



12PCS



Note: Do not lock the screws of the bed slats to the outermost edge of the bed slats, you need to leave a certain space at the edges, otherwise it will cause the board to break. Do not lock the bed slats on the edge of the wood, please hold firmly before screwing, hold it in place with one hand, then lock the screw.

