



**Undertone®**  
Undermount kitchen sink  
**K-3166**

**Features**

- 45" (1143 mm) minimum base cabinet width.
- 9-1/2" depth left bowl, 5-1/2" depth center bowl, and 7-1/2" depth right bowl.
- Rounded bowls.
- Sink drain with strainer sold separately.

**Material**

- Premium 18-gauge stainless steel.

**Installation**

- Undermount.

**Recommended Products/Accessories**

- K-6539 Drainboard with Sink Rack
- K-8801 Sink drain and strainer with tailpiece
- K-8799 Sink drain and strainer basket
- K-23726 Drain treatment
- K-23729 Stainless steel cleaner

**Optional Products/Accessories**

- K-3278 Hardwood cutting board for Undertone® kitchen sinks
- K-6139 Sponge Caddy
- K-11352 Disposal Flange with Stopper

**Included Components**

Product consists of:

- 91915 Hardware Kit

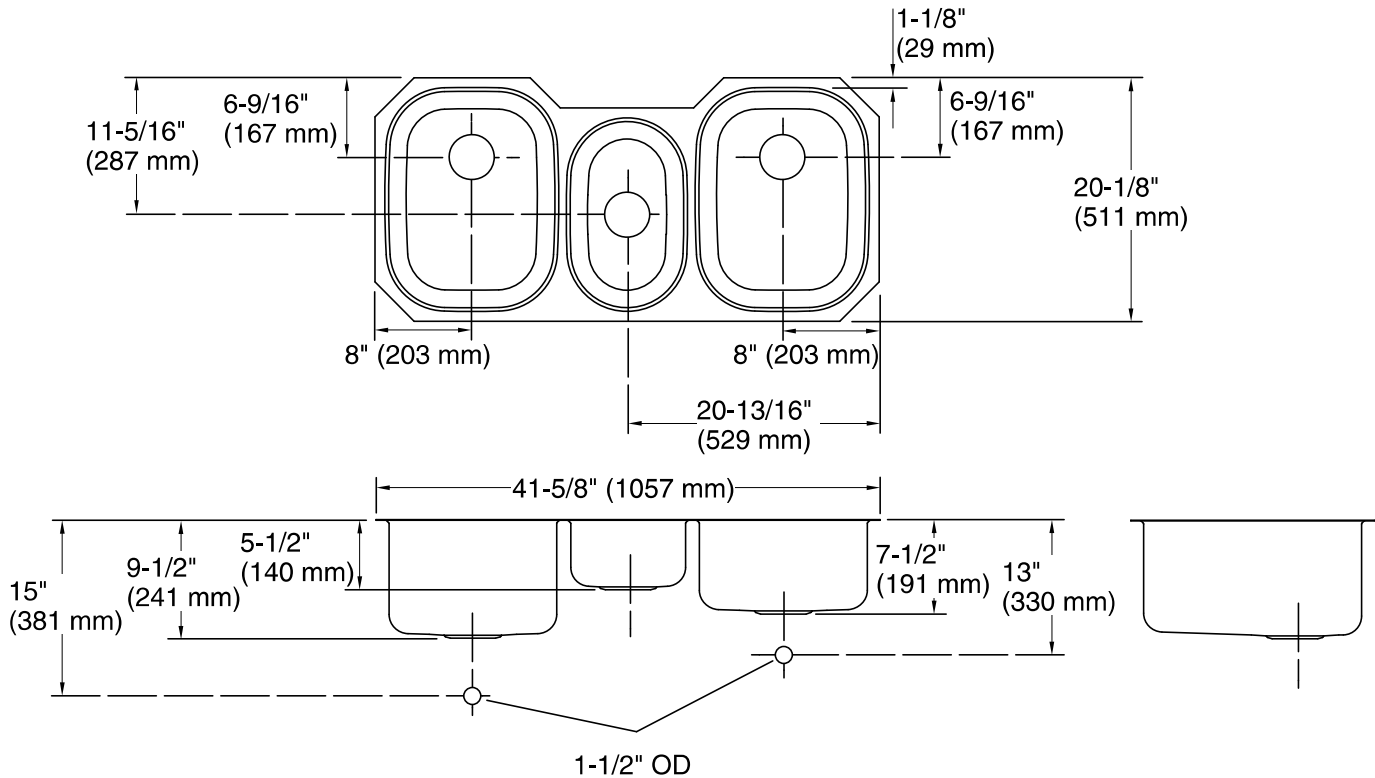


**Codes/Standards**

ASME A112.19.3/CSA B45.4

**KOHLER® Stainless Steel Sinks  
Lifetime Limited Warranty**

See website for detailed warranty information.



## Technical Information

All product dimensions are nominal.

Bowl configuration: Two equal bowls and center bowl

Installation: Undermount

Min. base cabinet width: 45" (1143 mm)

Bowl area (Left): Length: 14" (356 mm)  
Width: 18" (457 mm)  
Bowl depth: 9-1/2" (241 mm)

Bowl area (Center): Length: 9" (229 mm)  
Width: 15" (381 mm)  
Bowl depth: 5-1/2" (140 mm)

Bowl area (Right): Length: 14" (356 mm)  
Width: 18" (457 mm)  
Bowl depth: 7-1/2" (191 mm)

Drain hole: 3-5/8" (92 mm)

Template: 1047579-7, required, included

## Notes

Install this product according to the installation instructions.