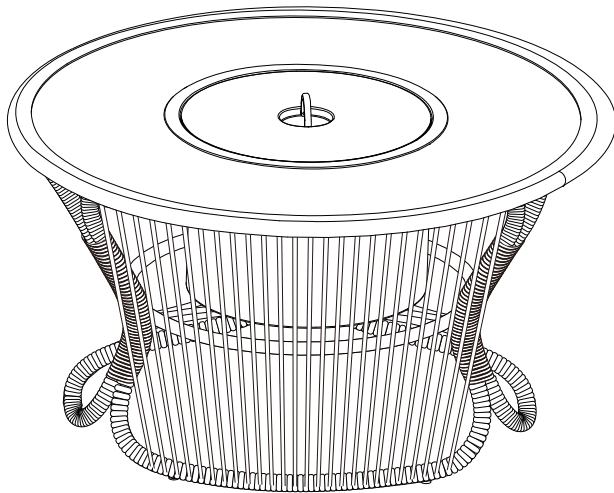
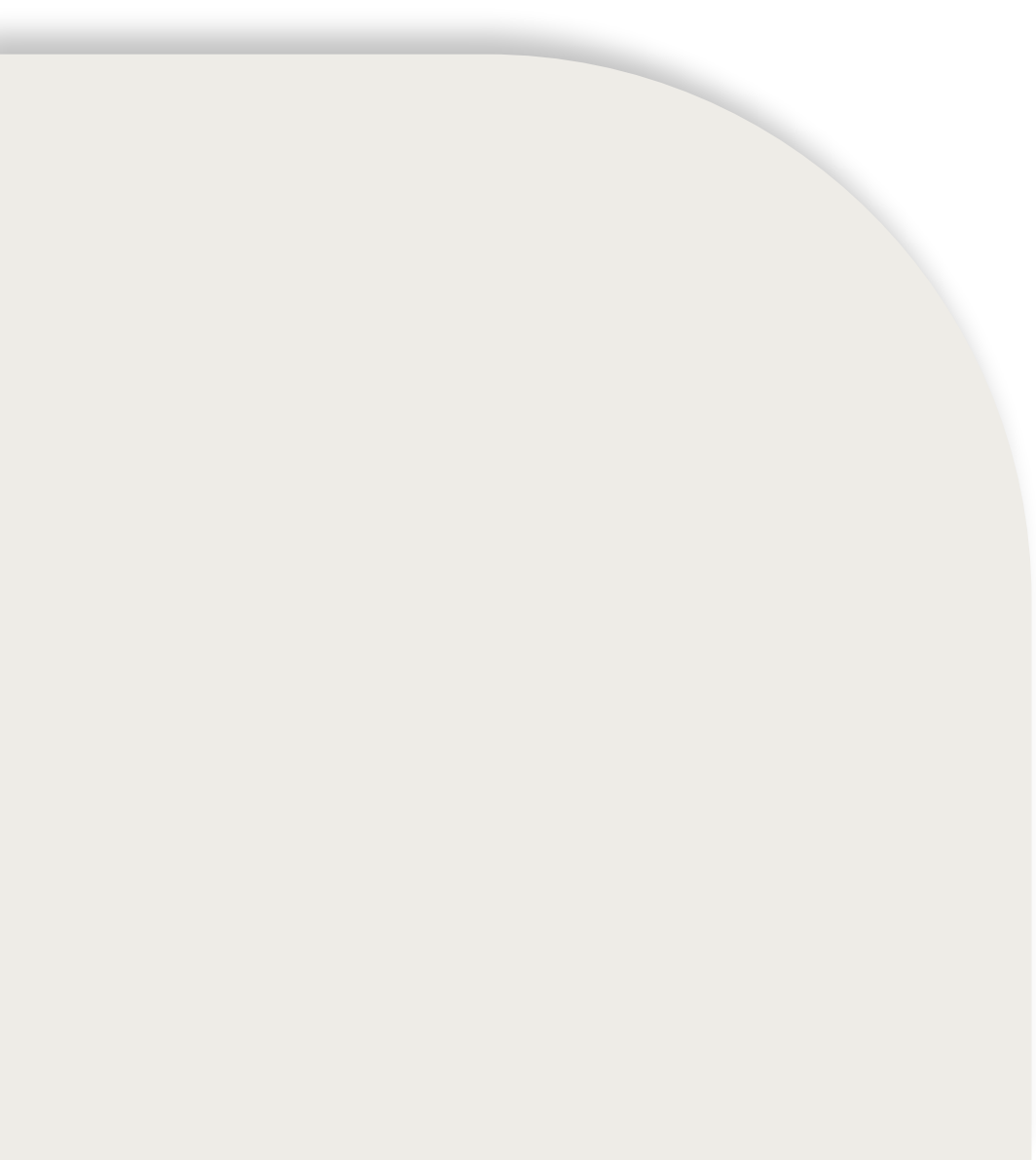


Healing Chic Collection





ATTENTION

Thank you for purchasing our product. We have created these easy-to-follow instructions to ensure that you can enjoy this product. If you need more information

WARRANTY

1-YEAR FRAME LIMITED WARRANTY.

WHAT IS COVERED

We warrant the frames to be free of manufacturing defects to the original purchaser for one year.

WHAT IS NOT COVERED

- This warranty does not cover commercial use, hardware, acts of nature, freezing and abusive use. In addition, purchased parts are not covered under this warranty. We reserve the right to make substitutions with similar merchandise, if the model in question is no longer in production.
- For your own safety, and to reduce the risk of serious personal injury, the user must read and understand this Use and Care Guide, and assemble each piece only in accordance with these instructions and with the parts and hardware included with the original packaging.
- Failure to follow these instructions and / or use of tools or hardware not included in the original packaging may lead to improper assembly and/or risk of serious personal injury.

CALIFORNIA PROPOSITION 65

WARNING:

Products of combustion of fuel used in wood burning appliances can expose you to chemicals including soot which is known to the State of California to cause cancer, and carbon monoxide which is known to the State of California to cause birth defects or other reproductive harm.

For more information go to www.P65Warnings.ca.gov.





WARNING:

- Keep plastic bags and small parts away from Children.
- Do not use power tools.
- Do not over tighten hardware.
- Periodically check hardware and re-tighten as necessary.
- Do not use product if any component becomes damage.
- Do not sit or stand on product. Use only for intended purpose.
- FOR OUTDOOR USE ONLY!
Burning wood indoors can kill you. It gives off carbon monoxide, which has no odor.
- Never burn in vehicles, tents or indoors. Otherwise there will be CARBON MONOXIDE HAZARD!
- Never leave fire unattended!
- Do not touch the surface of the fire pit.
- Do not allow children or pets near the fire pit without supervision.
- Never place a storage cover on fire pit when in use. Ensure the fire pit has cooled before placing a storage cover over the fire pit.
- Always keep a fire extinguisher close by when having an open flame.
- Use heat-resistant gloves to handle hot tools.
- Burn only 8.7lb/3.94 kg of wood or fire logs in the fire pit.
- Do not use gasoline or kerosene to start the fire in your fire pit.
- Do not use this unit on a wood deck, long or dry grass and/or leaves, or on combustible surfaces.
- Place the fire pit no closer than 10 ft / 3.0 meters from walls or combustibles during use.
- Do not place or use the fire pit under a canopy of trees, overhang, balcony, or power lines. Do not attempt to move the fire pit while it is hot or in use.

CARE AND CLEANING

FRAME: WIPE CLEAN WITH A MILD SOAP AND WATER SOLUTION, RINSE WITH CLEAN WATER, AND DRY THOROUGHLY.

IN ORDER TO PROLONG THE LIFE OF YOUR FIRE PIT, PLEASE STORE IN DRY SHELTERED PLACE WHEN NOT IN USE OR DURING INCLEMENT WEATHER.



Parts

