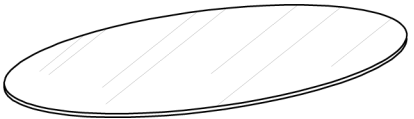
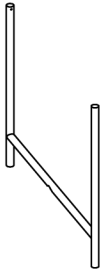


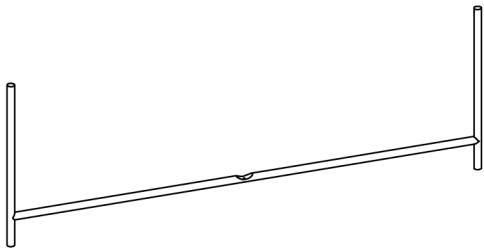
A x 1



B x 1

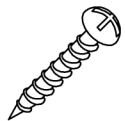


C x 1



D x 1

dia.4mm, 15mm



E x 5

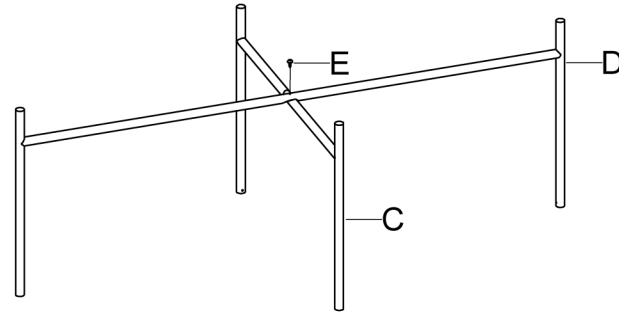


F x 4

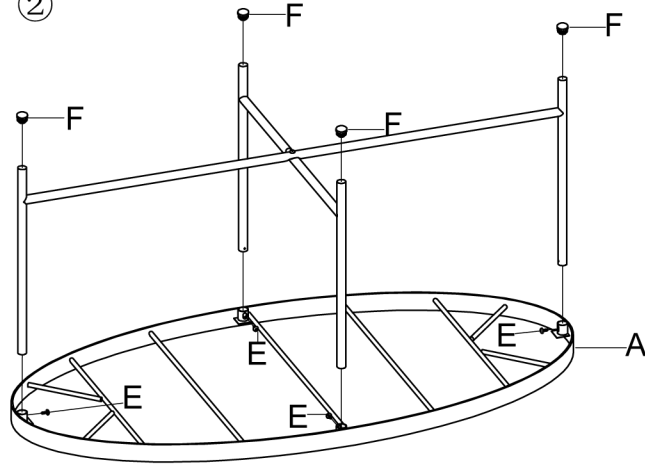


G x 4

①



②



③

