

CARE AND MAINTENANCE

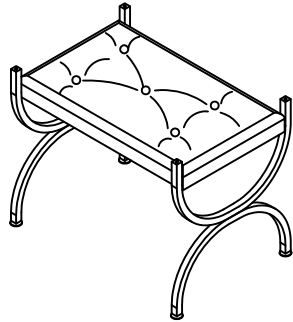

Wipe clean with a soft, dry cloth. Test the cleaning method on a hidden area before using them over the entire area.

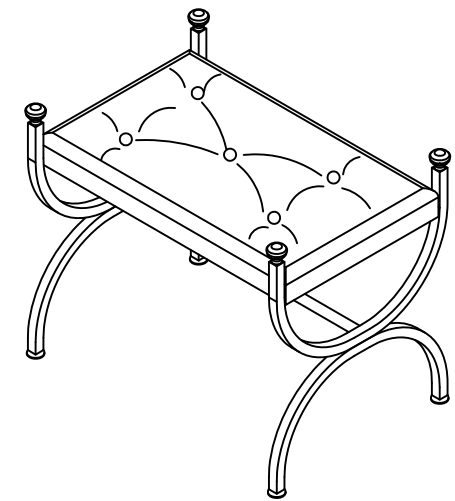
NOTICE

- * Please make sure that you have all parts indicated before you begin assembly of this item.
- * This item should be assembled on a soft surface to prevent scratching the finished product during assembly.
- * This item may require periodic tightening.
- * Do not tighten bolts until completely assembled.

Product Dimensions: 26-1/2"Wx18-1/2"Dx22-1/2"H

Part List and Hardware List

PIECE	DESCRIPTION	PICTURE	QUANTITY
A	Bench		1x
B	Finial		4x



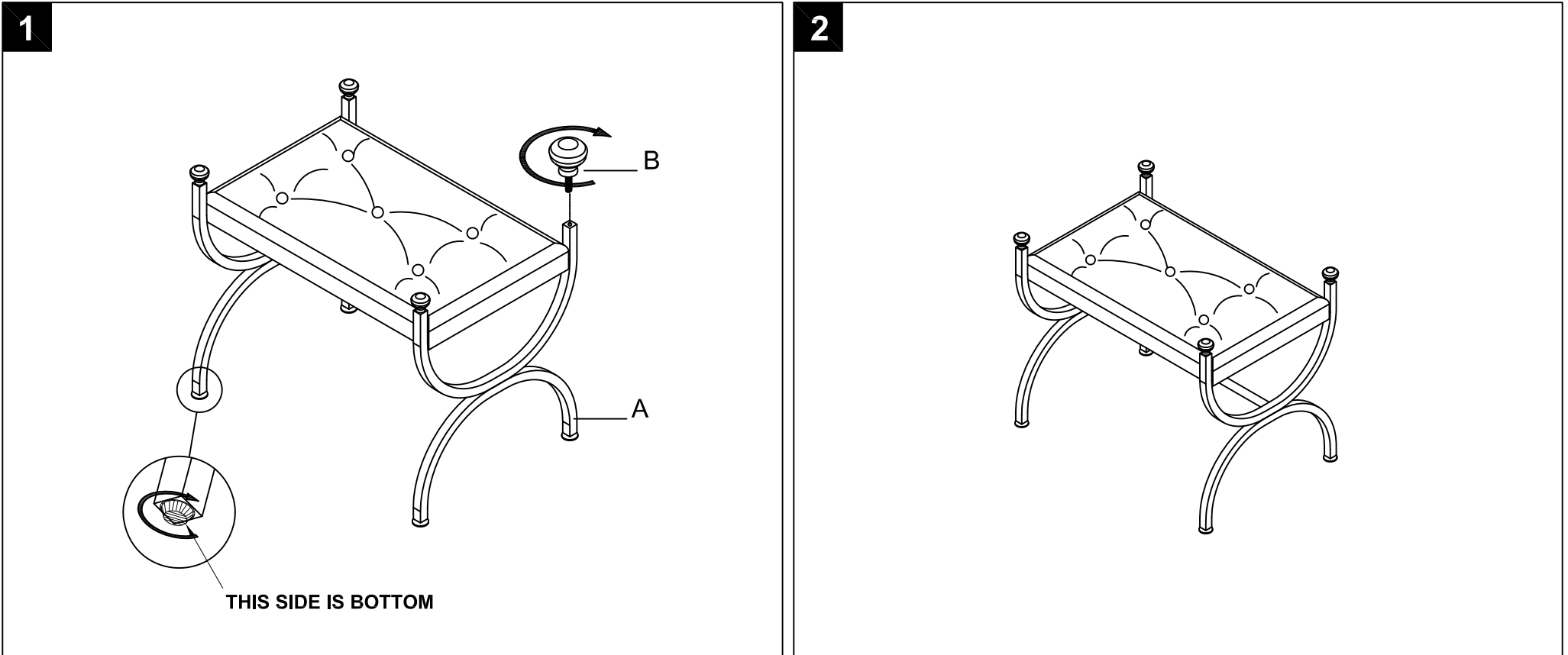
Weight capacity:275lbs
WARNING:DO NOT STAND ON THE BENCH

PREPARATION

Before beginning assembly of product, make sure all parts are present. Compare parts with package contents list and hardware contents list. If any part is missing or damaged, do not attempt to assemble the product.

Estimated Assembly Time: 5 minutes.

Tools Required for Assembly (included): N/A



Step 1

Screw in 4*finials (B) to the bench (A), as picture.

Step 2

Assembly is completed.