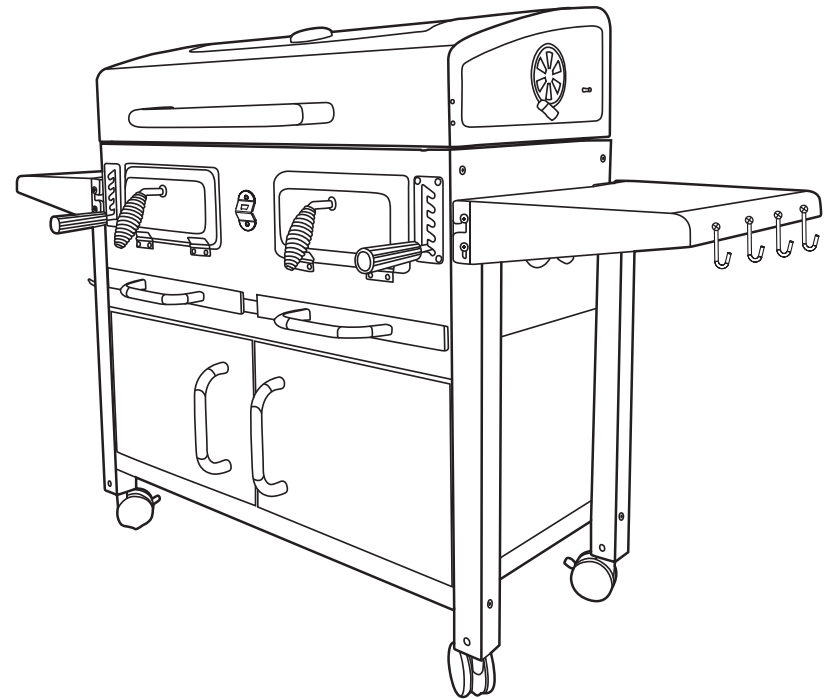


# PRODUCT MANUAL

## DOUBLE DOOR FURNACE



## IMPORTANT SAFETY INSTRUCTIONS

Please operate in strict accordance with the instructions to avoid damage to the oven or personal injury and property loss to the user.



BEWARE OF FIRE

Ensure that there are no flammable and explosive objects around. The barbecue oven should be at least 4 meters away from the flammable and explosive objects. When using, place a burner near the oven. Do not use gasoline, alcohol and other articles as the ignition agent of barbecue charcoal.



HIGH TEMPERATURE

Children and pets should keep a certain distance during use to avoid scalding. An adult is required to watch and be cautious. After use, please wait until the grill is completely cooled before moving and cleaning.



ORGANIC PEROXIDES

The product is only used in well ventilated outdoor environment. The burning of carbon indoors may produce colorless and odorless carbon monoxide, which may cause poisoning. Please do not use it in closed spaces such as home, car, tent, etc.



USE PROTECTIVE GLOVES

Wear insulating gloves and other protective tools to avoid scalding.



BE CAREFUL

The temperature shall not exceed 260 ° C (500 ° F) during use. If the temperature exceeds this degree, you need to reduce the carbon in the carbon basin.

Please pay attention to avoid being cut or scratched by the edge during installation and use. Do not use too much force when installing the screws. Tighten them gently, otherwise the surface coating may be damaged.



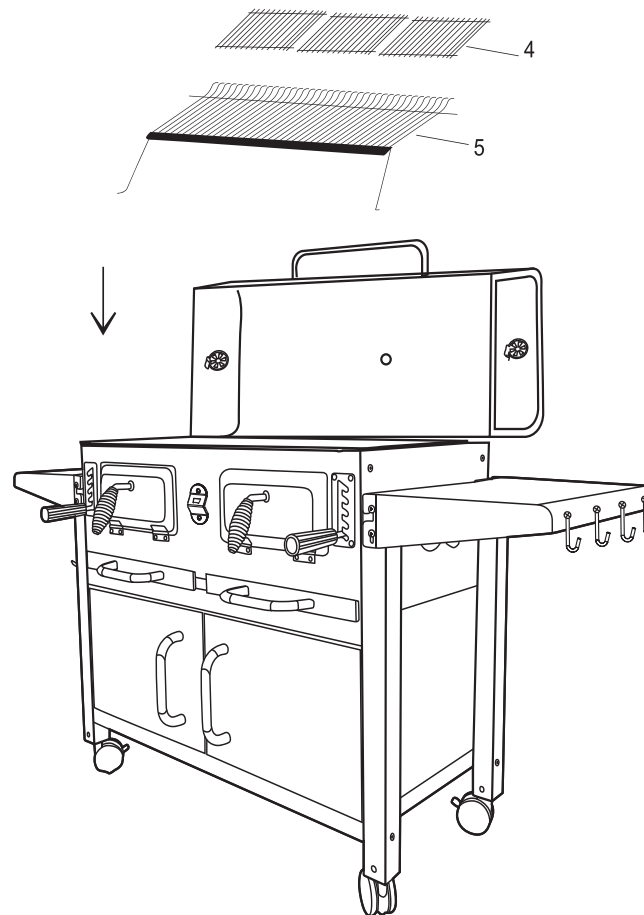
FORCE/PROMPT

Before the first use, brush a layer of vegetable oil on the baking mesh to improve the baking flavor and make the whole baking more durable. (Failure to follow this procedure may result in coating damage or metallic taste in food)

After use, the baking net should be cleaned at the right time, which can be gently wiped with steel wire ball, or cleaned with a special oven brush. After cleaning and drying, it should be placed in a ventilated place for drying.

## INSTALLATION INSTRUCTIONS

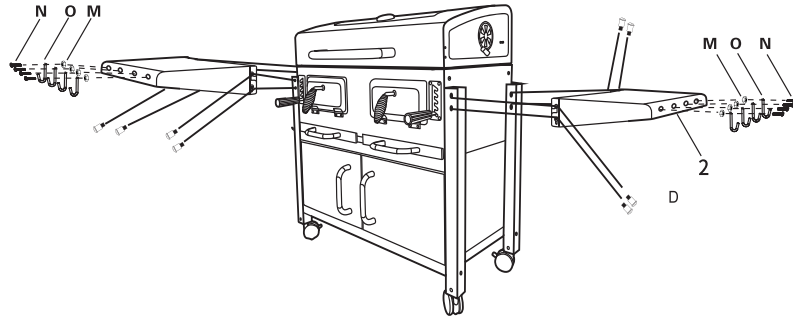
**Step 23: Put the cooking grid (4) into the grill body and warming rack (5) to the grill body and lid.**




## INSTALLATION INSTRUCTIONS

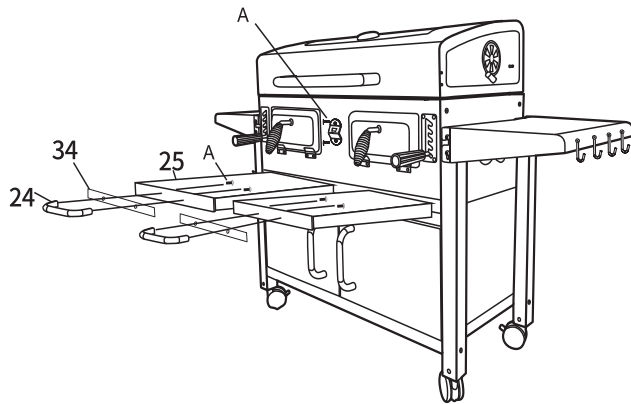
**Step 21:** Assemble the side tables to the grill body assembly using 8pcs D screws. Assemble the hook (O) to the side tables using 8pcs M5x10mm N screws and 8pcs M5 M nuts.

D  M6\*14 X 8PCS    M  M5 X 8PCS    N  M5\*10 X 8PCS    O  X 8PCS

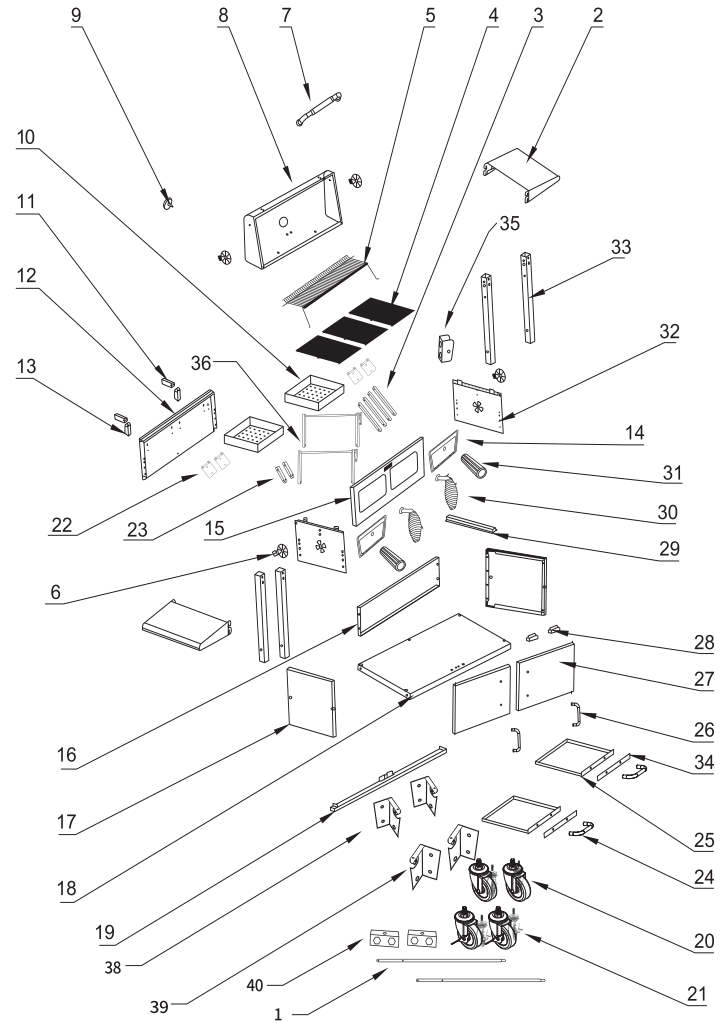


**Step 22:** install the oil pan handle (24) and the oil pan support sheet (26) on the oil pan (25) with 4 \* A screw, then put the oil pan into the bottom of the furnace frame.

A  X 6PCS



## EXPLODED VIEW OF DISASSEMBLY AND ASSEMBLY





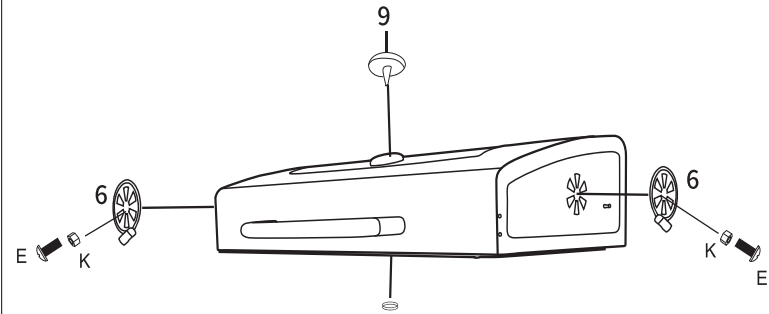
## CORRESPONDING PARTS OF EXPLOSION DIAGRAM

NUMBER	PATTERN	QUANTITY	NAME
1		1	lifting rod
2		2	Left and right side tables
3		8	pick arm of charcoal pan
4		3	Cooking tid
5		1	Warming rack
6		4	Airvent
7		1	Upper cover handle
8		1	Upper lid
9		1	thermometer
10		2	Charcoal pan
11		2	Upper cover hinge
12		1	Furnace rear plate



## INSTALLATION INSTRUCTIONS

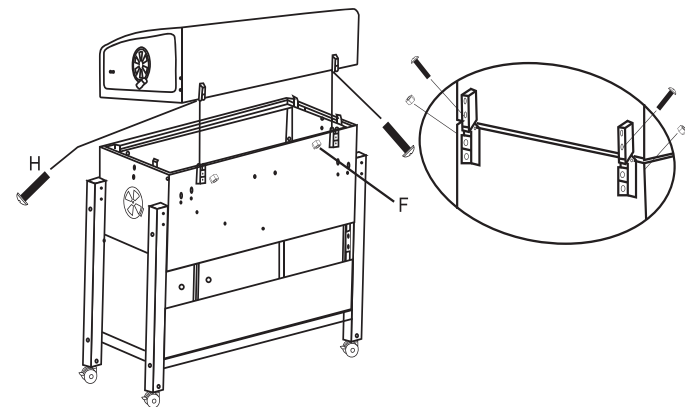
Step 19: Assemble the 2pcs airvent (6) to the lid (8) using 2pcs M4\*8 E screws and 2pcs M4 K nuts. Install the thermometer (9) to the lid.

E  X2PCS K  X2PCS



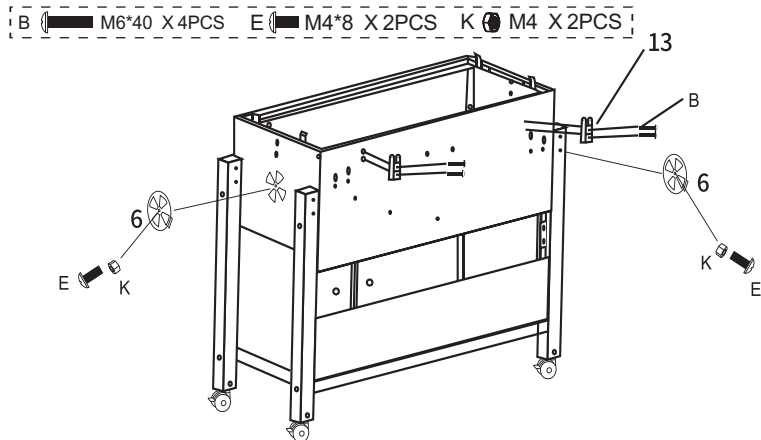
Step 20: Assemble the lid (8) to the grill body assembly using 2pcs M6\*40mm B screws and 2pcs M6 F nuts.

B  2PCS F  X2PCS

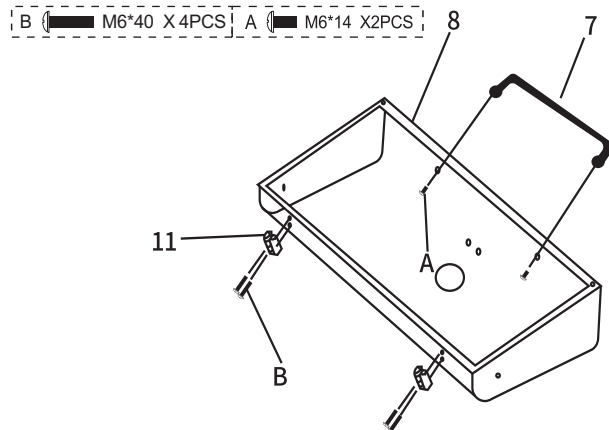


## INSTALLATION INSTRUCTIONS

**Step 17:** Assemble the furnace hinge to the grill body using 4pcs M6\*40mm B screws. Assemble the 2pcs airvent (6) to the grill body assembly using 2pcs M4\*8 E screws and 2pcs M4 K nuts.



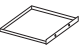

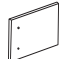




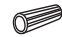
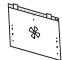


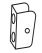


**Step 18:** install the top cover hinge (11) on the back of the top cover with 4 \* B screw. Install the upper cover handle (7) on the upper cover with 2 \* A screw.



## CORRESPONDING PARTS OF EXPLOSION DIAGRAM


NUMBER	PATTERN	QUANTITY	NAME
13		2	Furnace hinge
14		2	square door
15		1	Furnace front plate
16		1	Rear plate of frame
17		2	Frame side plate
18		1	frame bottom plate
19		1	Upper crossbeam
20		2	Unlocking wheel
21		2	Locking wheel
22		4	connector of lifting rod
23		2	fixing plate of charcoal pan
24		2	Oil pan handle

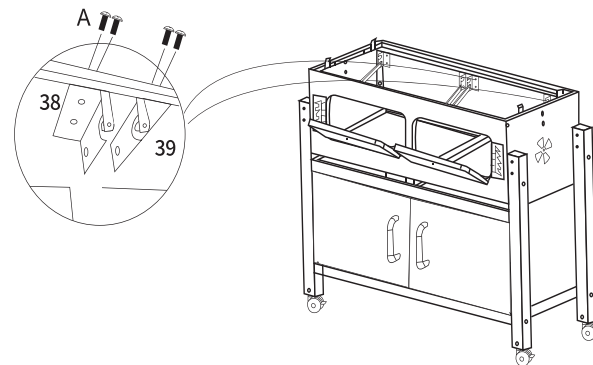
## CORRESPONDING PARTS OF EXPLOSION DIAGRAM

NUMBER	PATTERN	QUANTITY	NAME
25		2	Oil drain pan
26		2	Door handle
27		2	door
28		4	magnet
29		1	Furnace support
30		2	Door handle
		2	P Nut
31		2	Lifting handle
32		2	Side plate of furnace body
33		4	Leg
34		2	SS strip of ash pan
35		2	lifting rod fixing plate
36		1	right regulator of lifting charcoal pan
37		1	left regulator of lifting charcoal pan

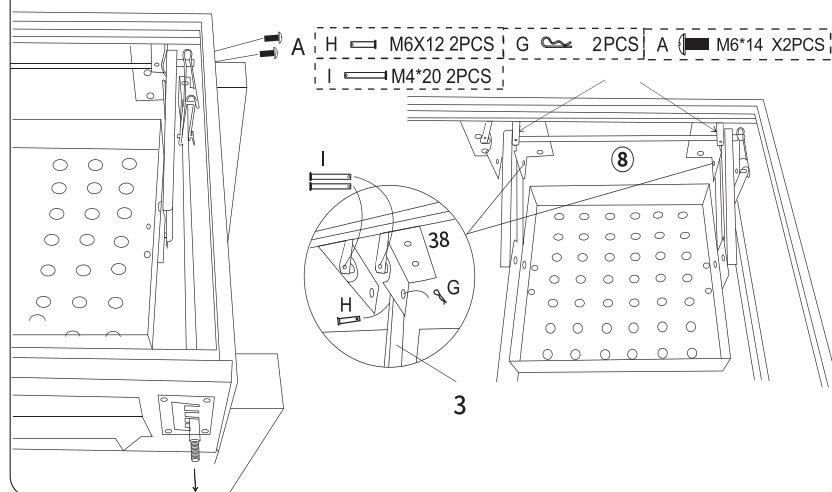
## INSTALLATION INSTRUCTIONS

**Step 15 :** Assemble the right support plate of charcoal pan (38) and the right plate (39) to the grill body using 8pcs M6\*14mm A screws.

A  X 8PCS



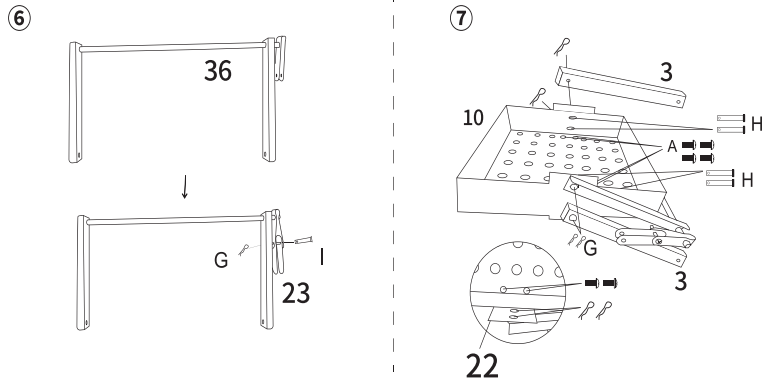
**Step 16:** Put 2pcs M6\*12 pin shaft H to the downside hole of right support plate of charcoal pan, and 2pcs M4\*20 pin shaft (I) to the upside hole of the plate (38). Using the Circlip (G) to tighten the M6\*12 pin shaft (H).



## INSTALLATION INSTRUCTIONS

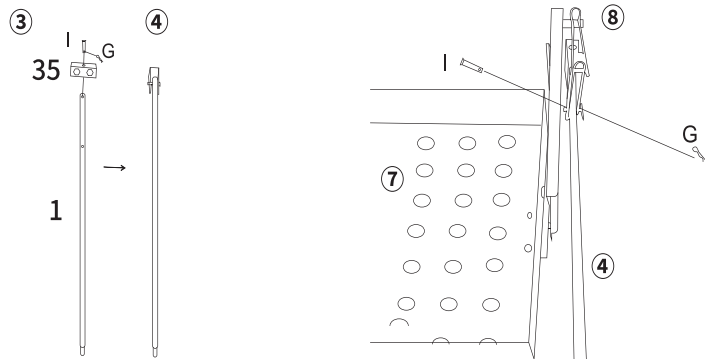
Step 13: Install ⑥ first, then ⑦ as shown below

I M4\*20 1PCS G 5PCS A M6\*14 X 8PCS H M6X12 4PCS



Step 14: Install ③ first, then ⑦ and ④ as shown below

I M4\*20 2PCS G 2PCS



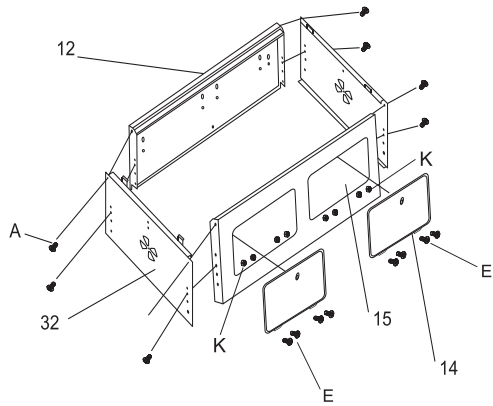
## CORRESPONDING PARTS OF EXPLOSION DIAGRAM

NUMBER	PATTERN	QUANTITY	NAME
38		2	right support plate of charcoal pan
39		2	left support plate of charcoal pan
A		67	M6 * 14
B		10	M6 * 40
C		4	M6 * 70
D		8	M6 * 14
E		12	M4 * 8
F		2	M6 nut
G		22	Circlip
H		12	M6*12 pin shaft
I		10	M4*20 pin shaft
J		8	M4 * 16
K		12	M4 nut
L		4	Door Jack
M		8	M5
N		8	M5 * 10
O		8	hook
P		2	Shim

## INSTALLATION INSTRUCTIONS

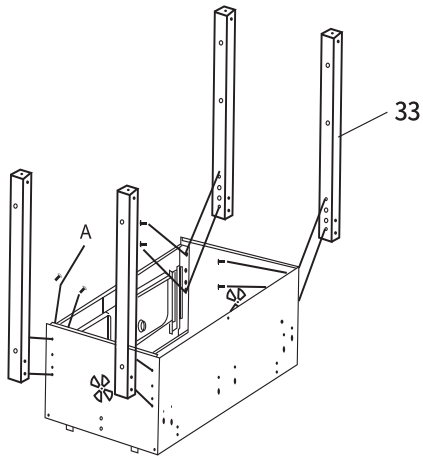
**Step 1:** Screw the front plate (15) of the furnace body with 8 \* A screws, Furnace side plate (32), furnace rear plate (12), the four plates are assembled into the furnace frame. Assemble the 2pcs square door (14) using 8 \* E screws and 8 \* K nuts.

A (■) M6\*14 X 8PCS E (■) M4\*8 X 8PCS K (●) M4 X 8PCS



**Step 2:** Assemble the legs (33) to the grill body assembly using 8 \* A screws.

A (■) M6\*14 X 8PCS

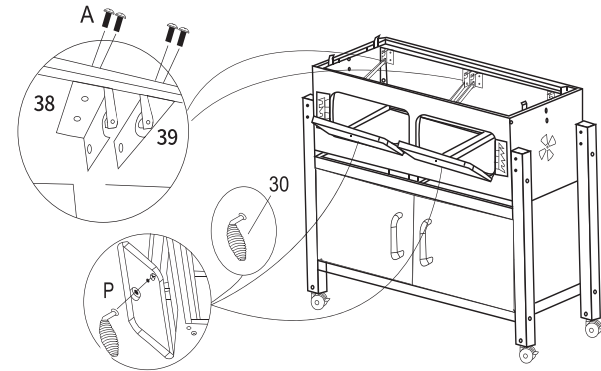


Note: The pin and furnace body screw is only on the 1 and 4 holes.

## INSTALLATION INSTRUCTIONS

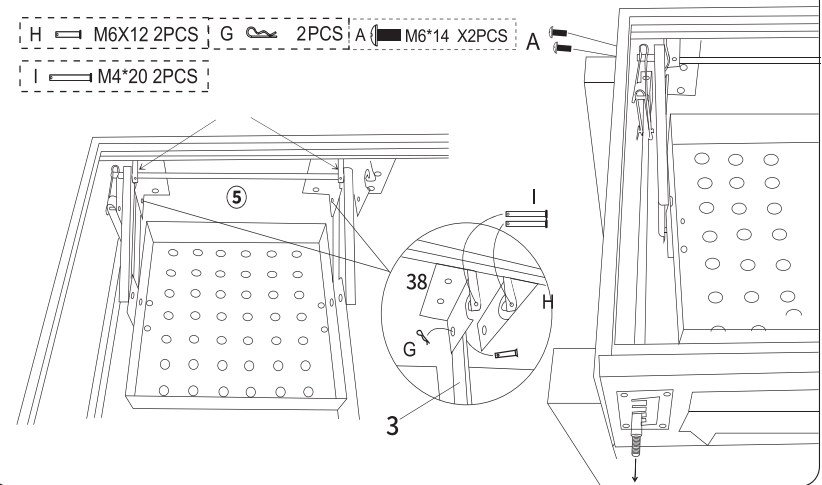
**Step 11:** Assemble the right support plate of charcoal pan (38) and the right plate (39) to the grill body using 8pcs M6\*14mm A screws. Assemble the door handle (30) with nuts P in the handle.

A (■) M6\*14 X 4PCS P (●) X 2PCS



**Step 12:** Jam the whole ⑤ into the 38 on the furnace body. 3 connect 38.

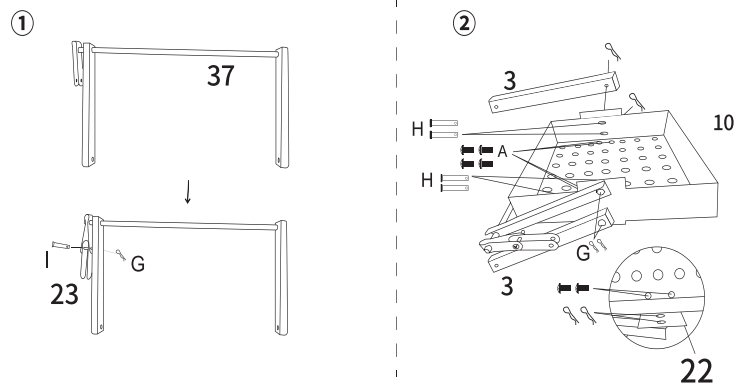
H (■) M6X12 2PCS G (■) 2PCS A (■) M6\*14 X 2PCS  
I (■) M4\*20 2PCS



## INSTALLATION INSTRUCTIONS

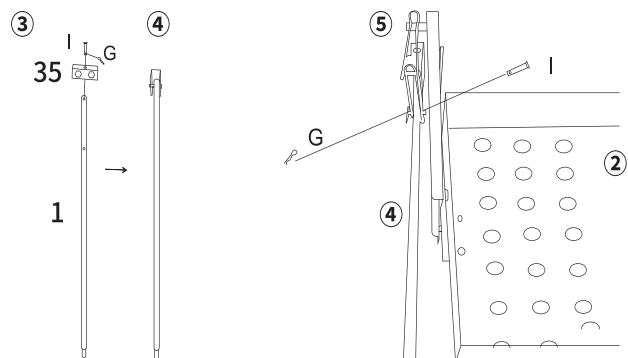
Step 9: Install ① first, then ② as shown below

I → M4\*20 1PCS | G → 5PCS | A → M6\*14 X4PCS | H → M6X12 4PCS



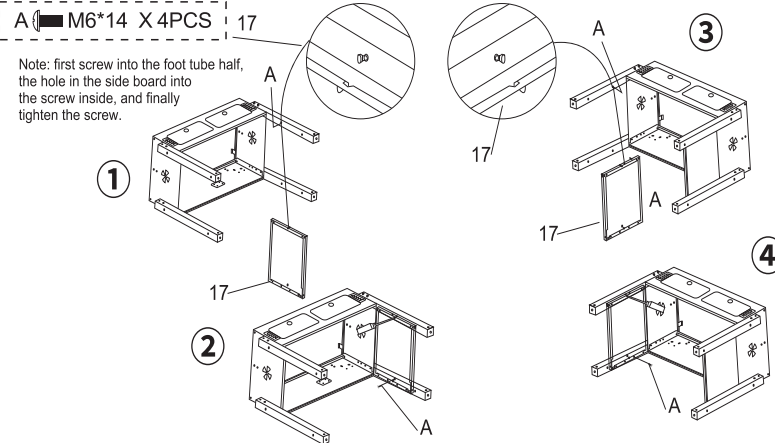
Step 10: Install ③ first, then ② and ④ as shown below

I → M4\*20 2PCS | G → 2PCS



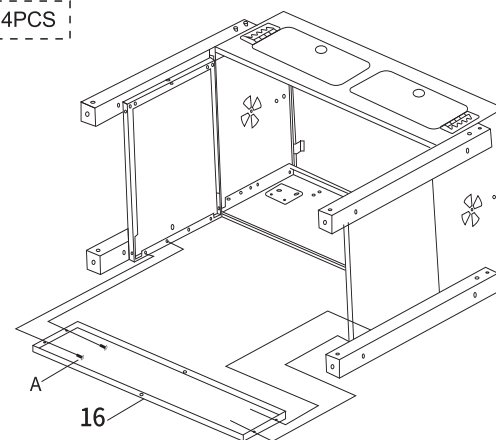
## INSTALLATION INSTRUCTIONS

Step 3: assemble the frame side plate (17) on the left and right foot tubes with 4 \* A screws.




Step 4: connect the frame back plate (16) to the eg tube with 4 \* A screws.

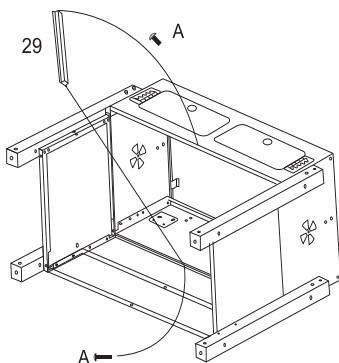
A → M6\*14 X4PCS




## INSTALLATION INSTRUCTIONS

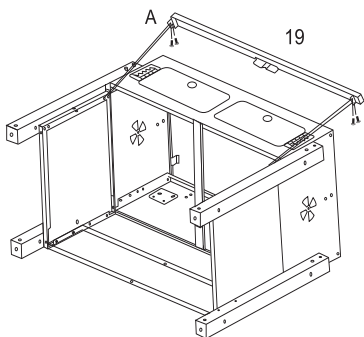
Step 5: Using 2\*A screws, the furnace body support (29) is arranged on the front plate and the back plate of the furnace body.

A  M6\*14 X2PCS






Step 6: Install the upper crossbeam (19) with 4 \* A screw on the front foot tubes on the left and right sides.

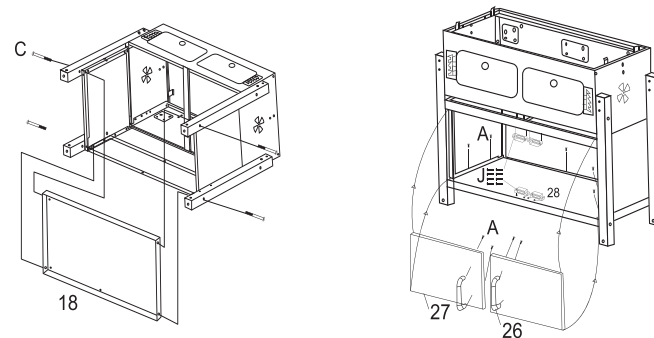
A  M6\*14 X 4PCS



## INSTALLATION INSTRUCTIONS

Step 7: install the frame bottom plate (18) at the bottom of the frame with 4 \* C screws. Use 5 \* A screw to tighten the connection holes between the left and right side plates of the frame and the bottom plate of the frame, 2 on the left and right sides and 1 on the back. The Magnet (28) is mounted on the frame bottom plate with 8 \* J screw. Install the door (27) and install the door handle (26) with 4 \* A screw.

A  M6\*14 X 9PCS C  M6\*70 X 4PCS J  M4\*16 X 8PCS



Step 8: Assemble the locking wheels (21) and unloking wheels (20) to the four legs.

