
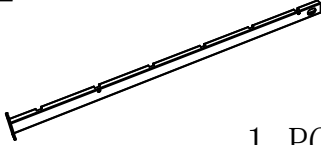
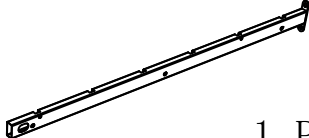
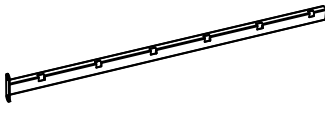
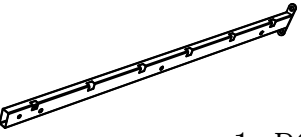







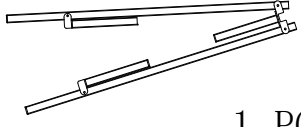
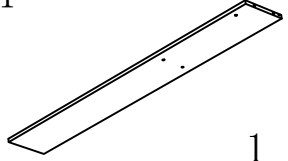
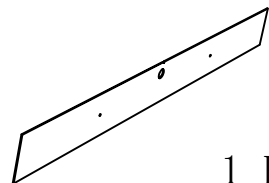

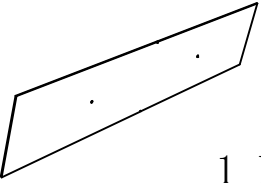





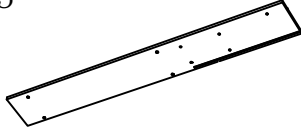

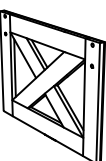

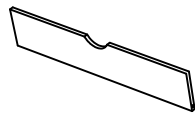
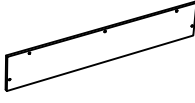
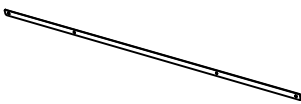
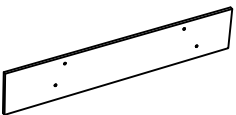
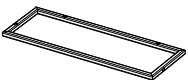
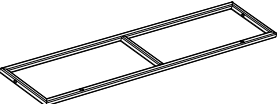
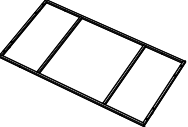
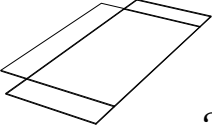
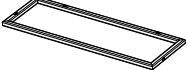
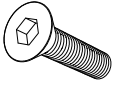
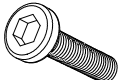
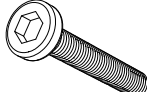

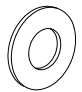
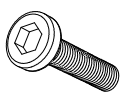
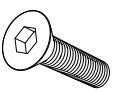
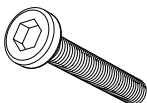
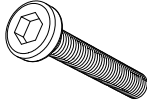
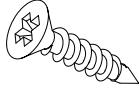
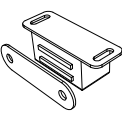
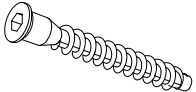
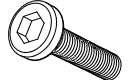
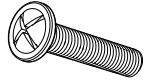
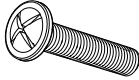

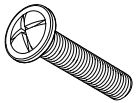
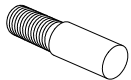
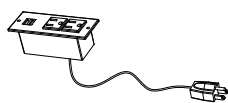


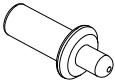
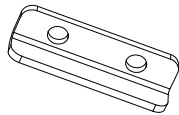
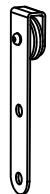

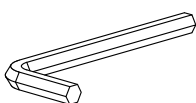
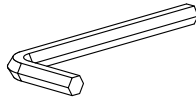
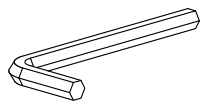
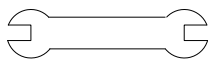
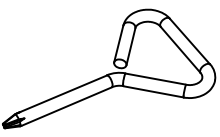
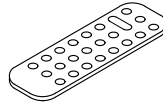

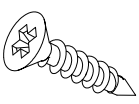


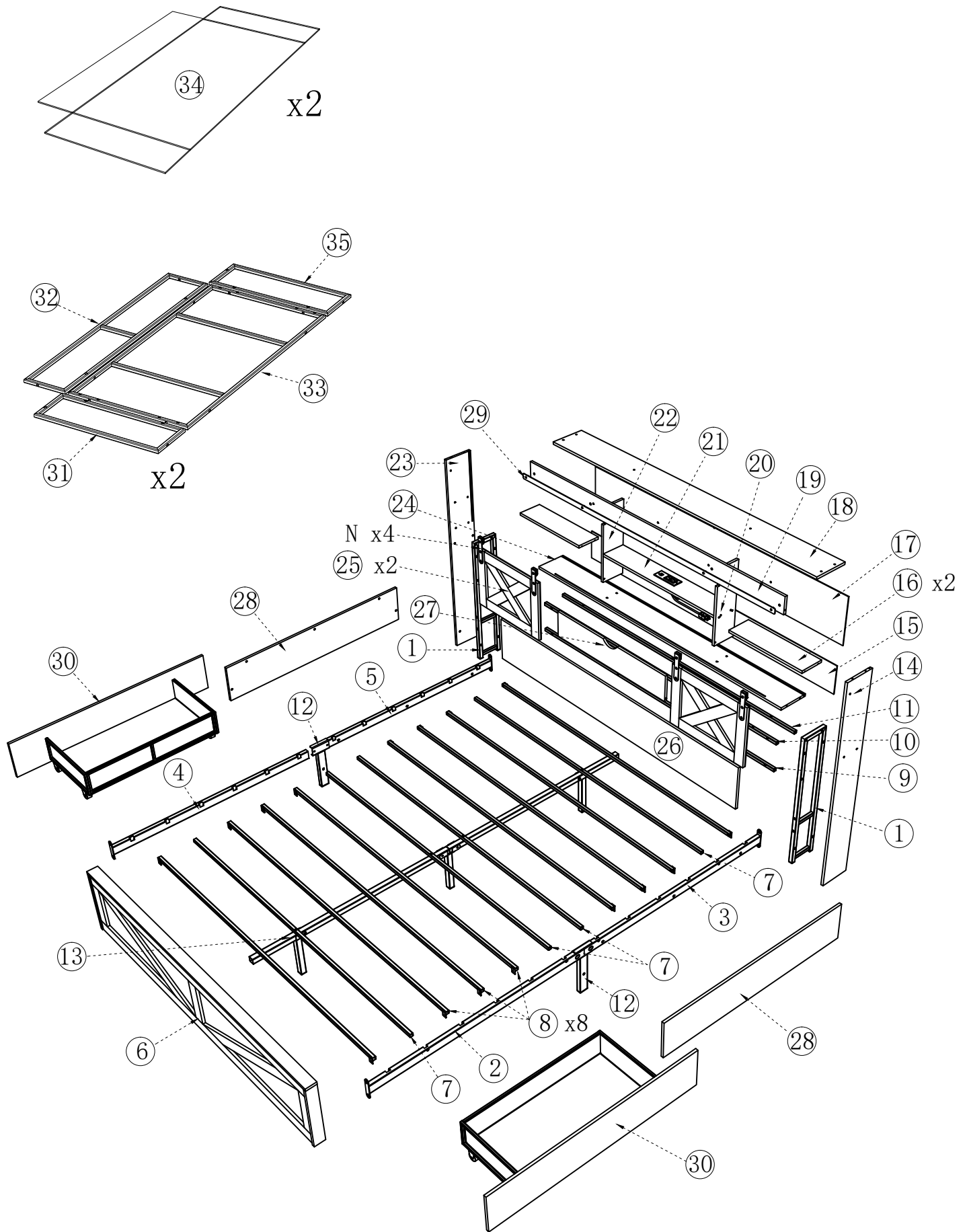


Assembly Instruction

1  2 PCS	2  1 PCS	3  1 PCS	4  1 PCS
5  1 PCS	6  1 PCS	7  4 PCS	8  8 PCS
9  1 PCS	10  1 PCS	11  1 PCS	12  2 PCS
13  1 PCS	14  1 PCS	15  1 PCS	16  2 PCS
17  1 PCS	18  1 PCS	19  1 PCS	20  1 PCS
21  1 PCS	22  1 PCS	23  1 PCS	24  1 PCS
25  2 PCS	26  1 PCS	27  1 PCS	28  2 PCS
29  1 PCS	30  2 PCS	31  2 PCS	32  2 PCS
33  2 PCS	34  2 PCS	35  2 PCS	

Assembly Instruction

<p>A</p>  <p>M6*35mm 6 PCS</p>	<p>B</p>  <p>M6*10mm 12 PCS</p>	<p>C</p>  <p>M8*35mm 4 PCS</p>	<p>D</p>  <p>M8 4 PCS</p>
<p>E</p>  <p>M8 4 PCS</p>	<p>F</p>  <p>M8*20mm 4 PCS</p>	<p>G</p>  <p>M6*25mm 8 PCS</p>	<p>H</p>  <p>M6*50mm 2 PCS</p>
<p>I</p>  <p>M6*30mm 18 PCS</p>	<p>J</p>  <p>M4*10mm 6 PCS</p>	<p>K</p>  <p>1 PCS</p>	<p>L</p>  <p>M5*40mm 22 PCS</p>
<p>M</p>  <p>M6*25mm 12 PCS</p>	<p>N</p>  <p>M4*25mm 6 PCS</p>	<p>O</p>  <p>M4*18mm 24 PCS</p>	<p>P</p>  <p>1 PCS</p>
<p>Q</p>  <p>M4*14mm 16 PCS</p>	<p>R</p>  <p>M5*19mm 8 PCS</p>	<p>S</p>  <p>1 PCS</p>	<p>T</p>  <p>16 PCS</p>
<p>U</p>  <p>∅9*11mm 4 PCS</p>	<p>V</p>  <p>2 PCS</p>	<p>W</p>  <p>2 PCS</p>	<p>X</p>  <p>4 PCS</p>
<p>Y</p>  <p>8 PCS</p>	<p>Z</p>  <p>M4 1 PCS</p>	<p>a</p>  <p>M6 1 PCS</p>	<p>b</p>  <p>M8 1 PCS</p>
<p>c</p>  <p>M8 1 PCS</p>	<p>d</p>  <p>1 PCS</p>	<p>e</p>  <p>1 PCS</p>	<p>f</p>  <p>M6 1 PCS</p>
<p>g</p>  <p>M4*15mm 9 PCS</p>			

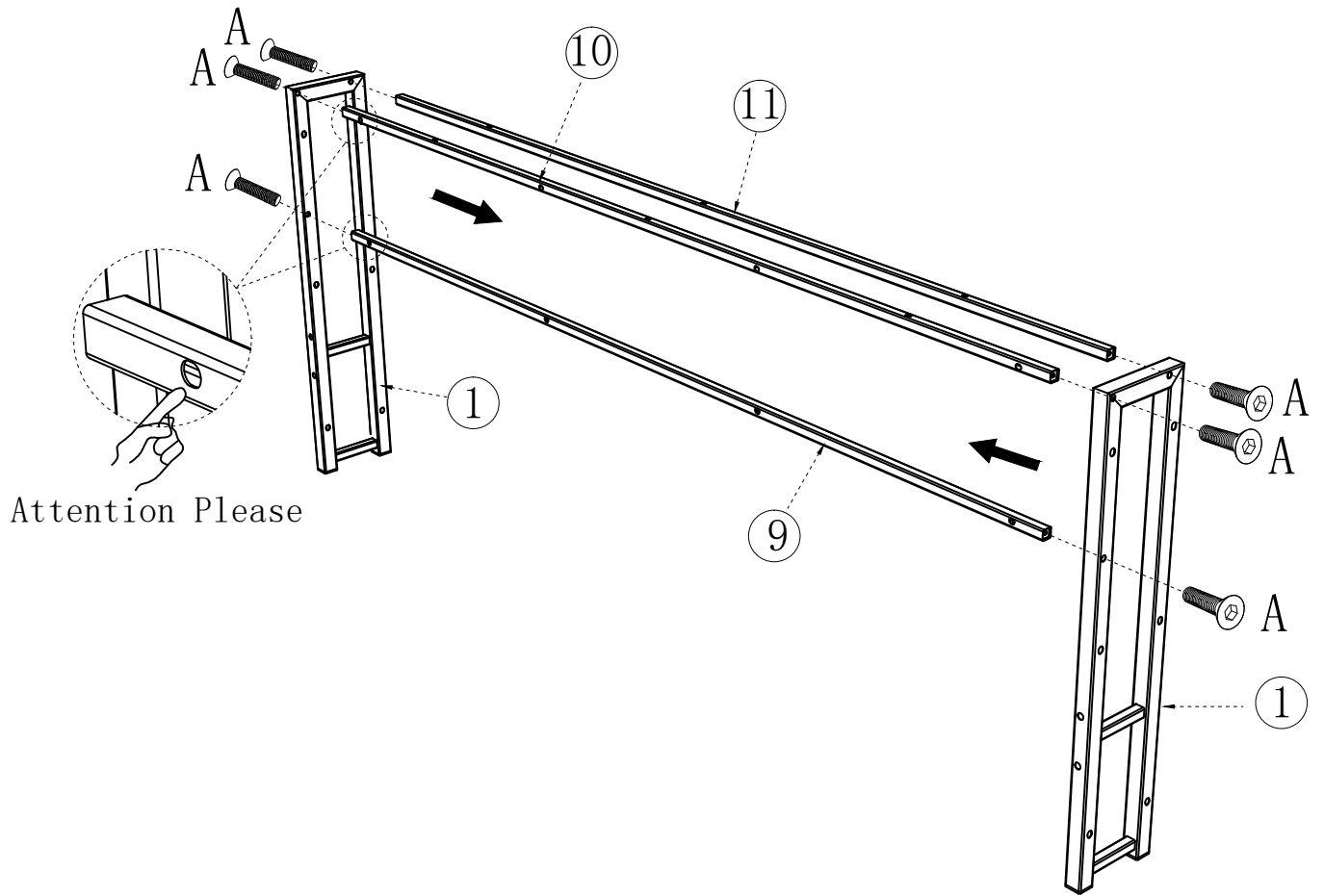


STEP 1

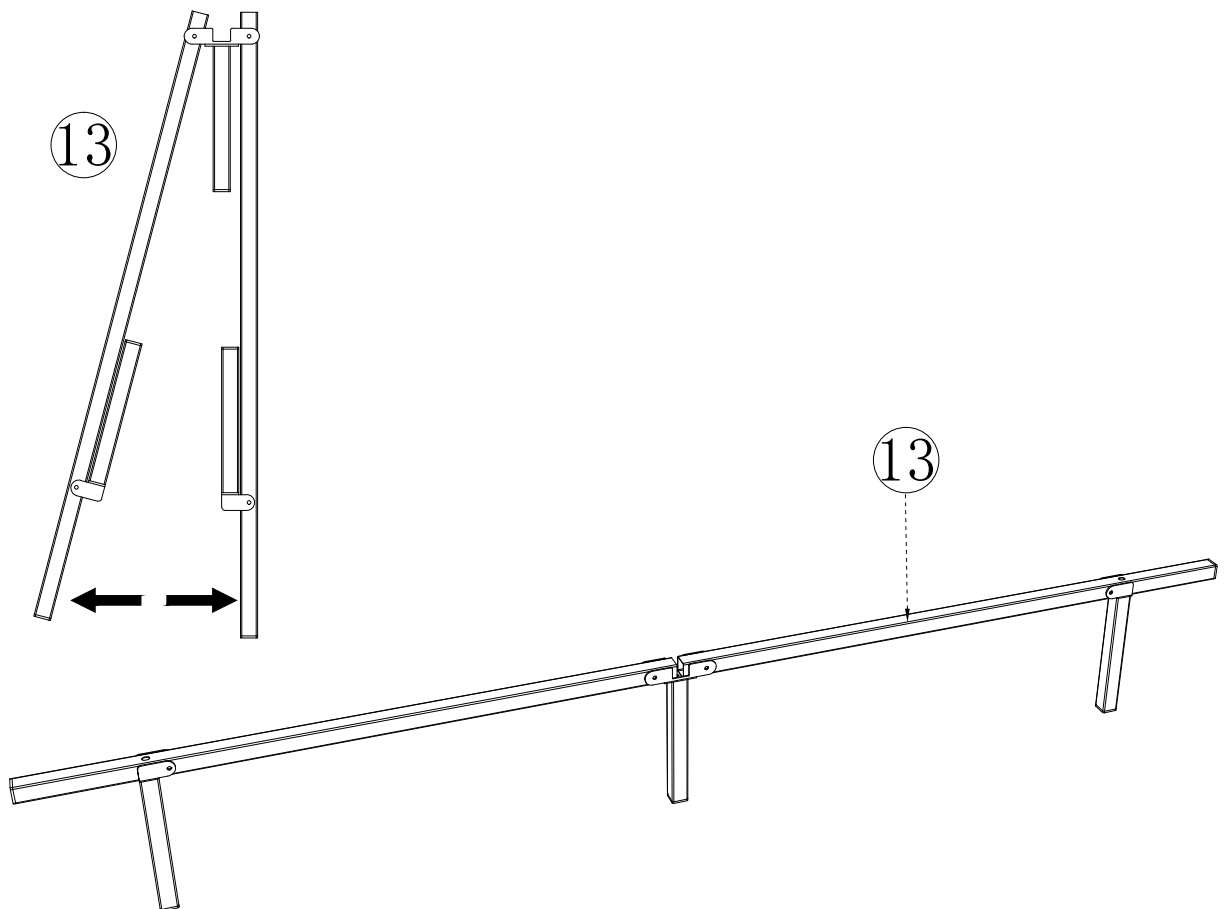
A




M6*35mm 6pcs

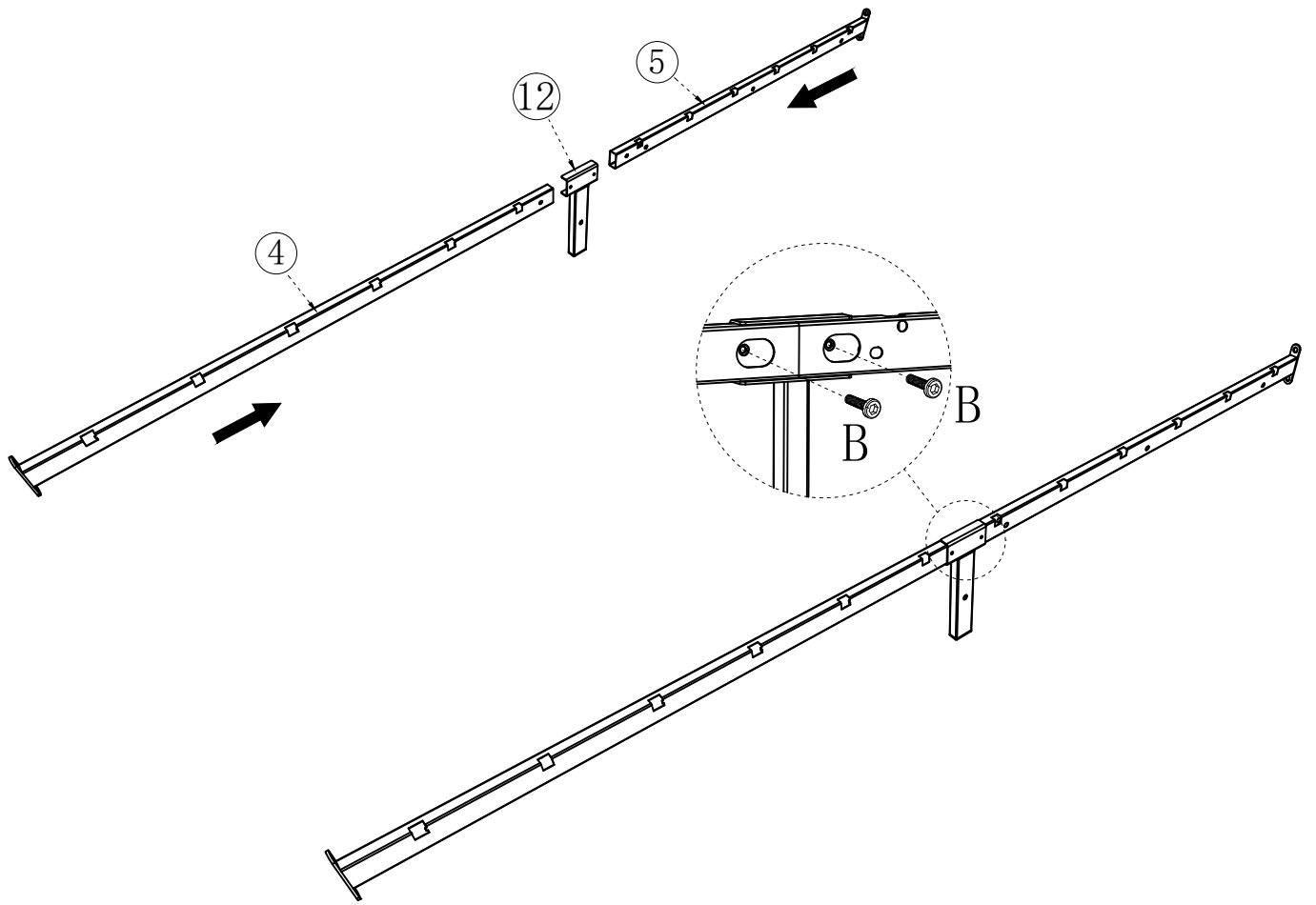


STEP 2




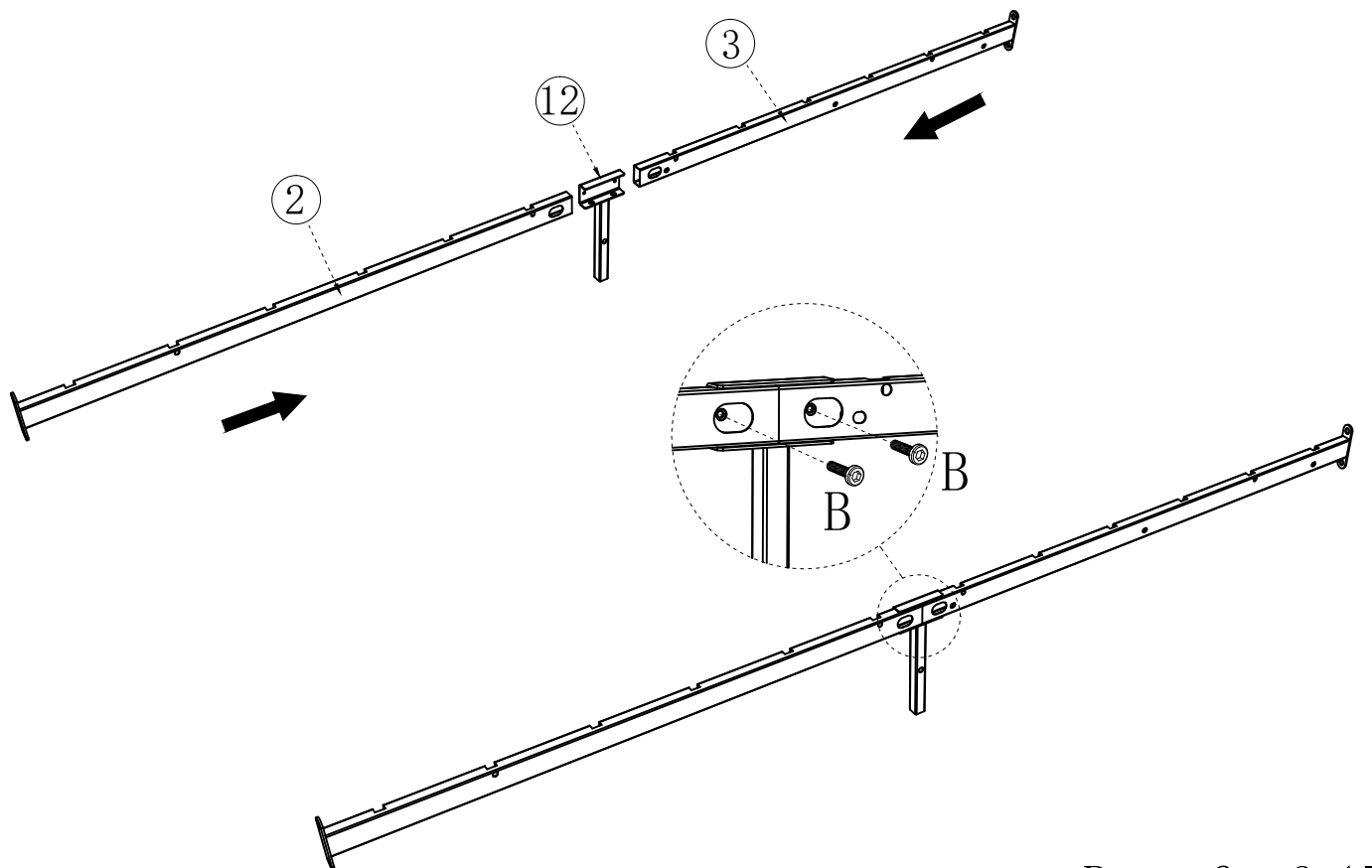
STEP 3

B  M6*10mm 2pcs







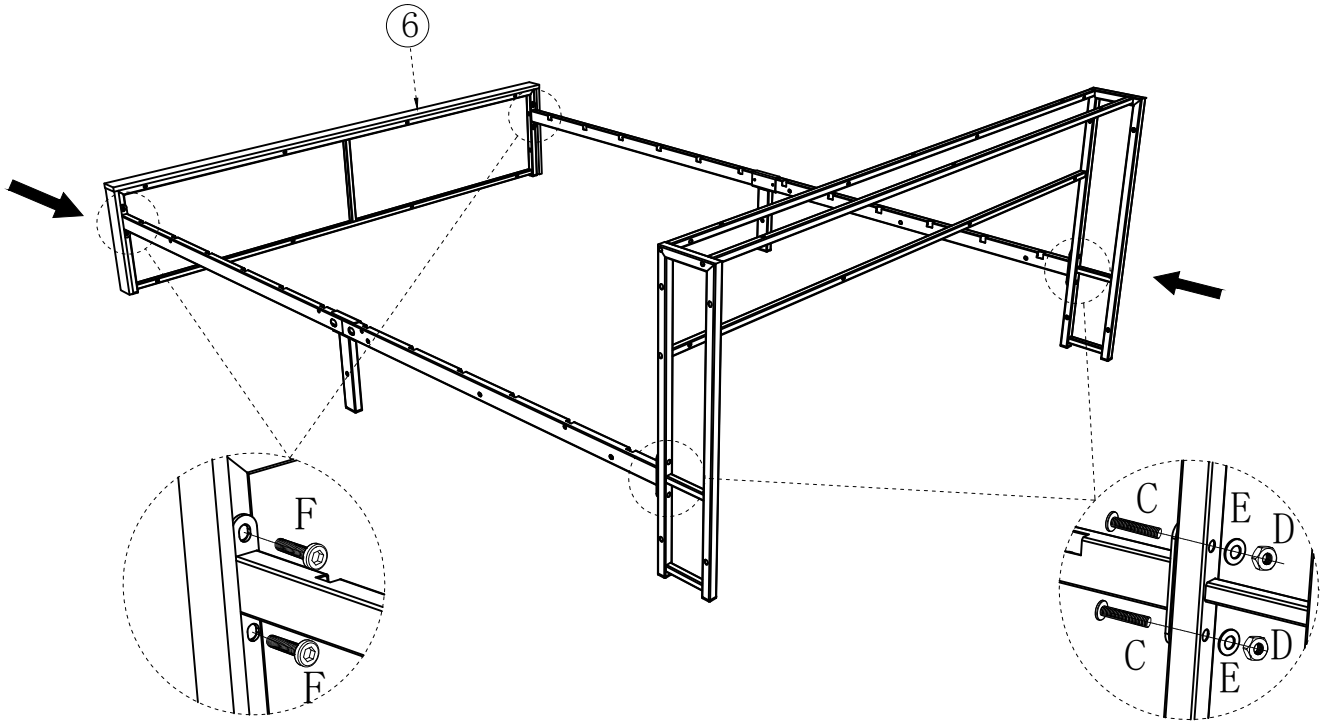
STEP 4

B  M6*10mm 2pcs






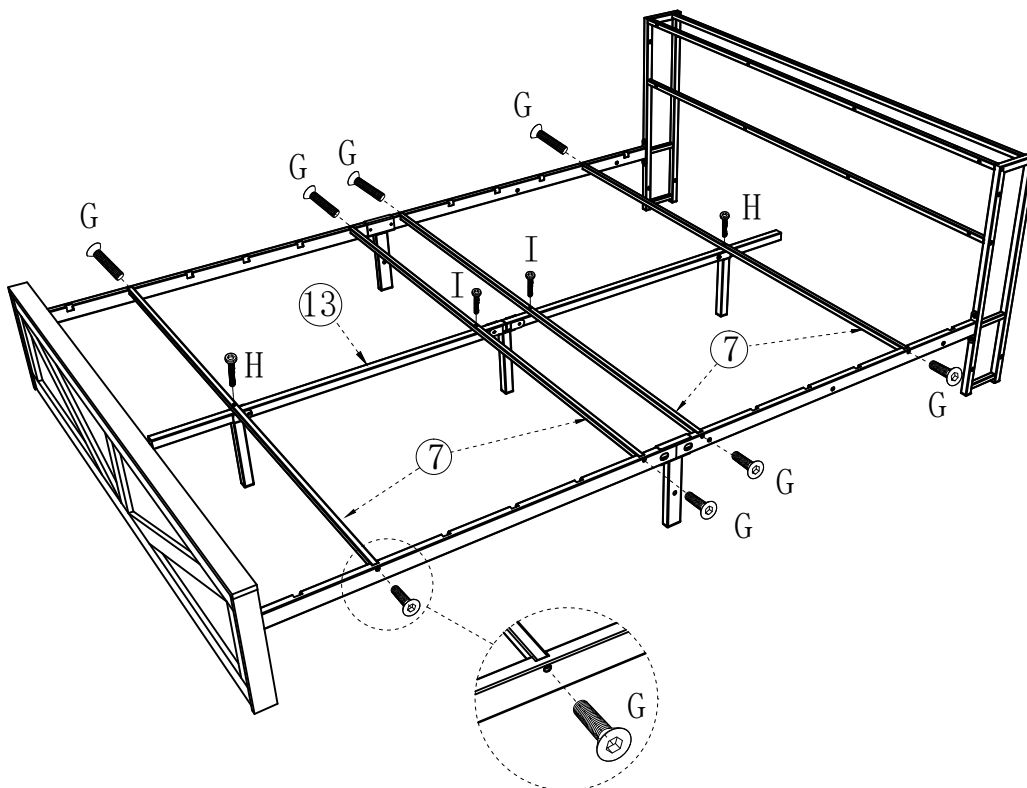
STEP 5

C		M8*35mm	4pcs
D		M8	4pcs
E		M8	4pcs
F		M8*20mm	4pcs






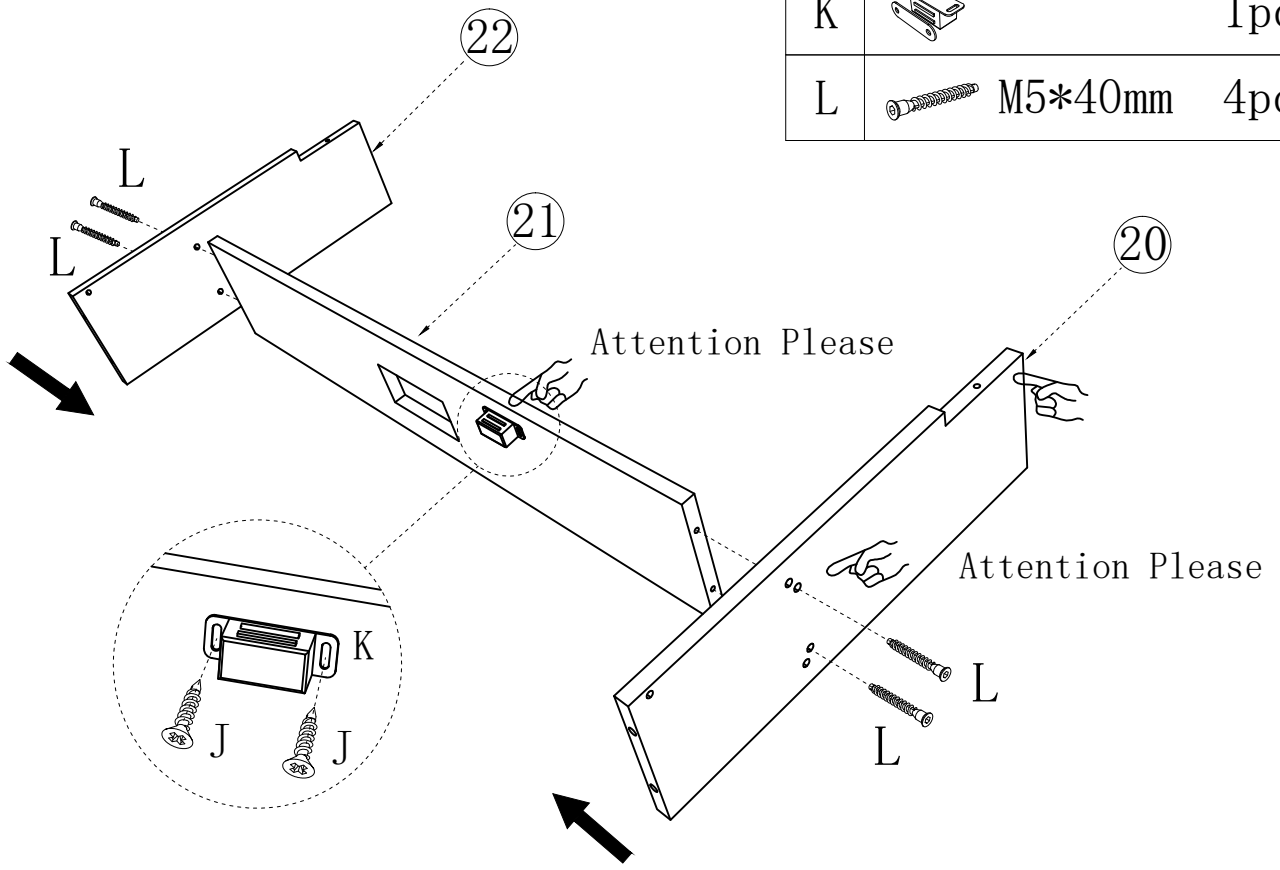
STEP 6

G		M6*25mm	8pcs
H		M6*50mm	2pcs
I		M6*30mm	2pcs




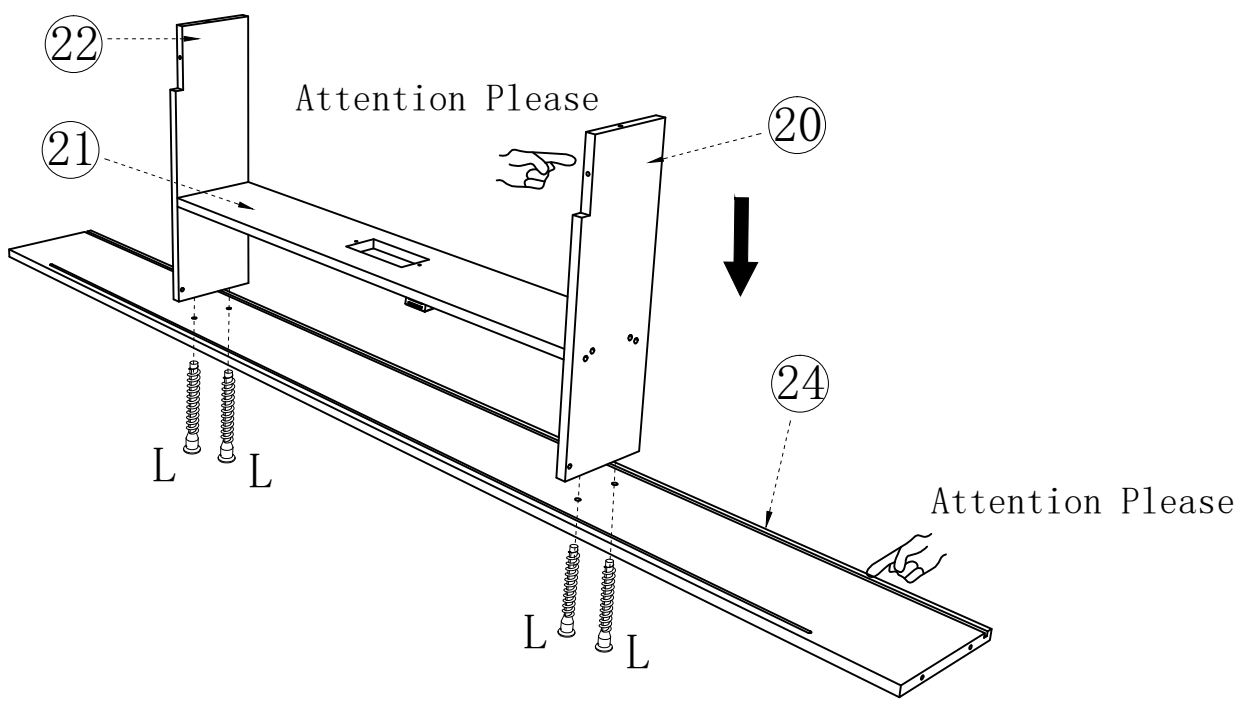
STEP 7

J		M4*10mm	2pcs
K			1pcs
L		M5*40mm	4pcs



STEP 8

L		M5*40mm	4pcs
---	---	---------	------



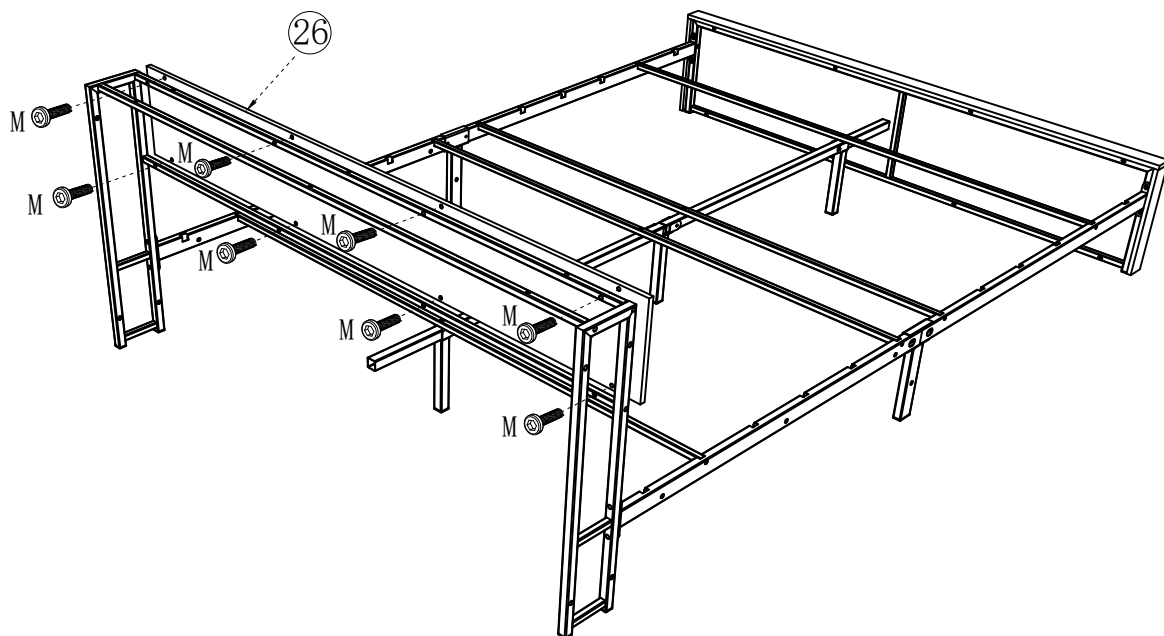
STEP 9

M



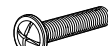
M6*25mm

8pcs



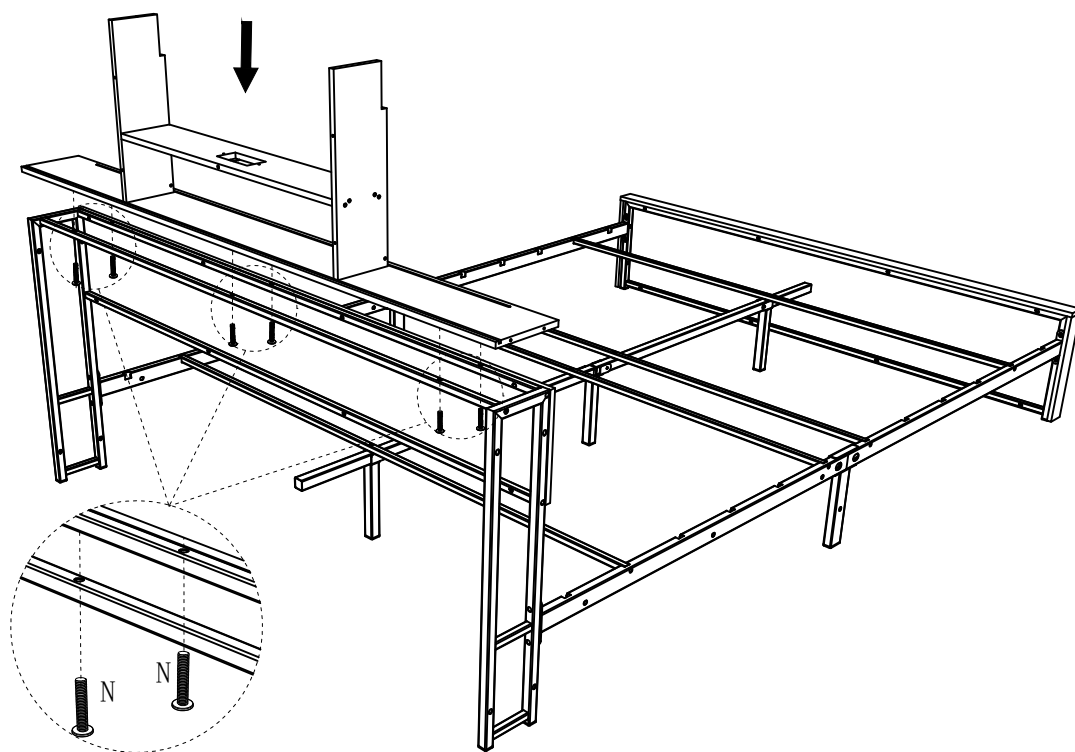
STEP 10

N



M4*25mm

6pcs

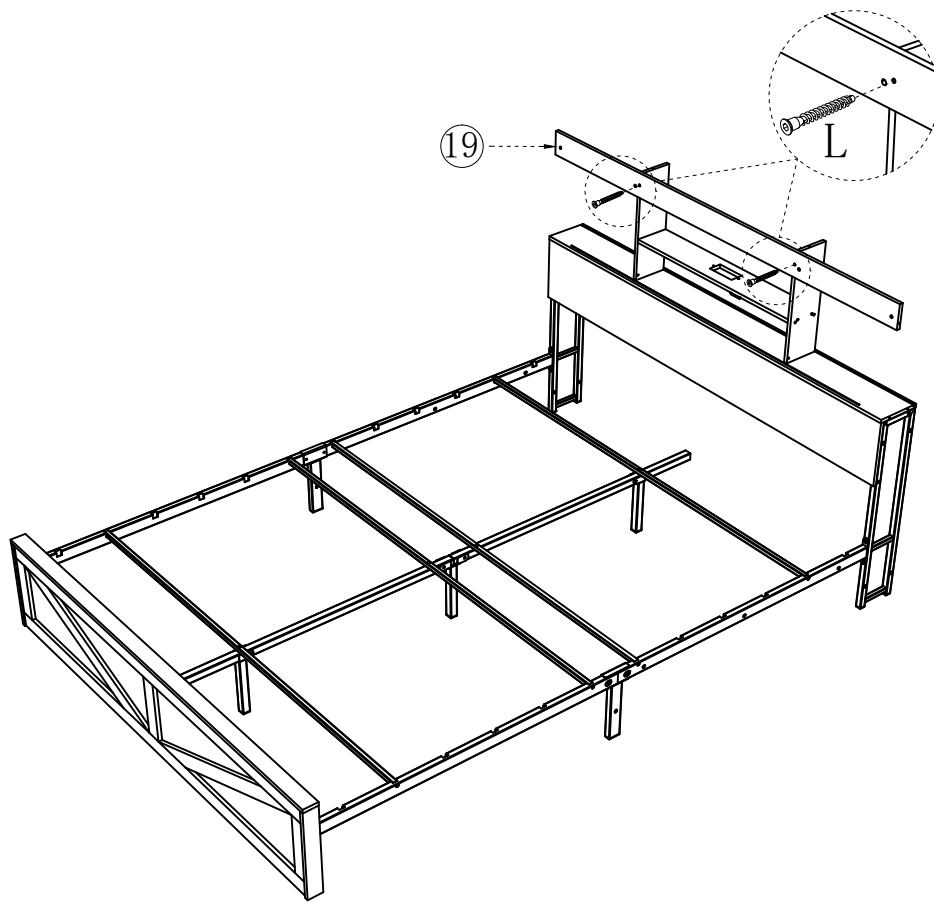


STEP 11

L



M5*40mm 2pcs



STEP 12

L

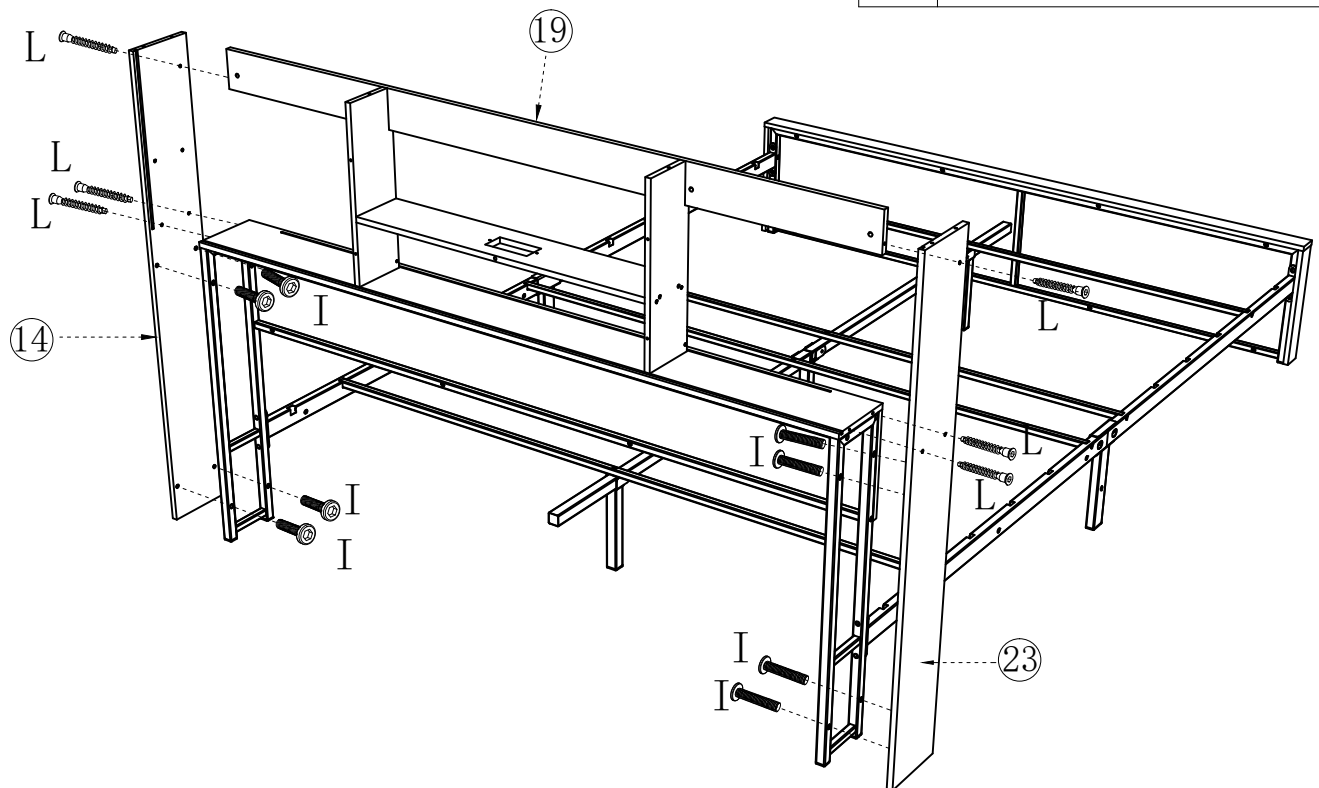


M5*40mm 6pcs

I



M6*30mm 8pcs

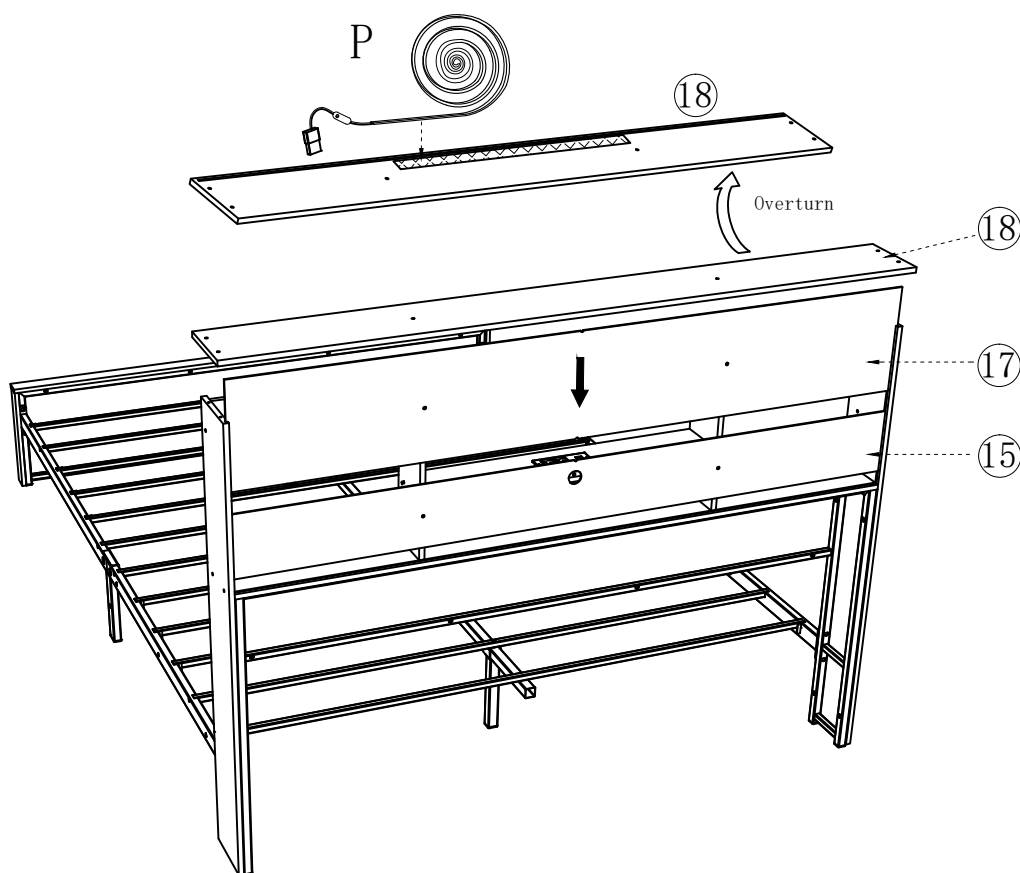


STEP 13

P

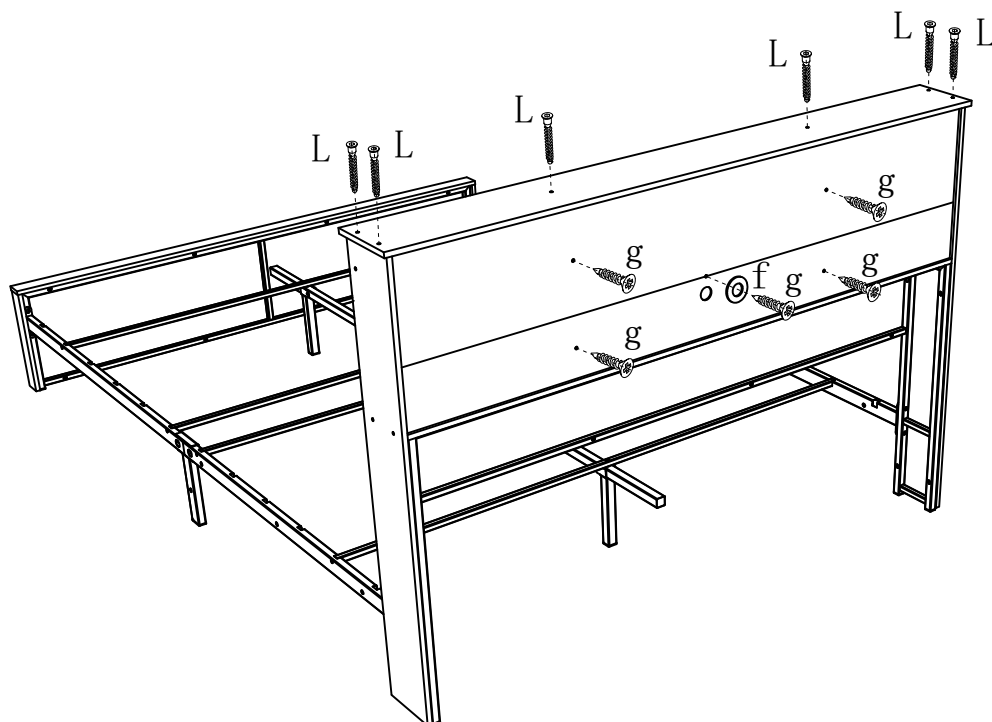


1pcs


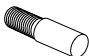



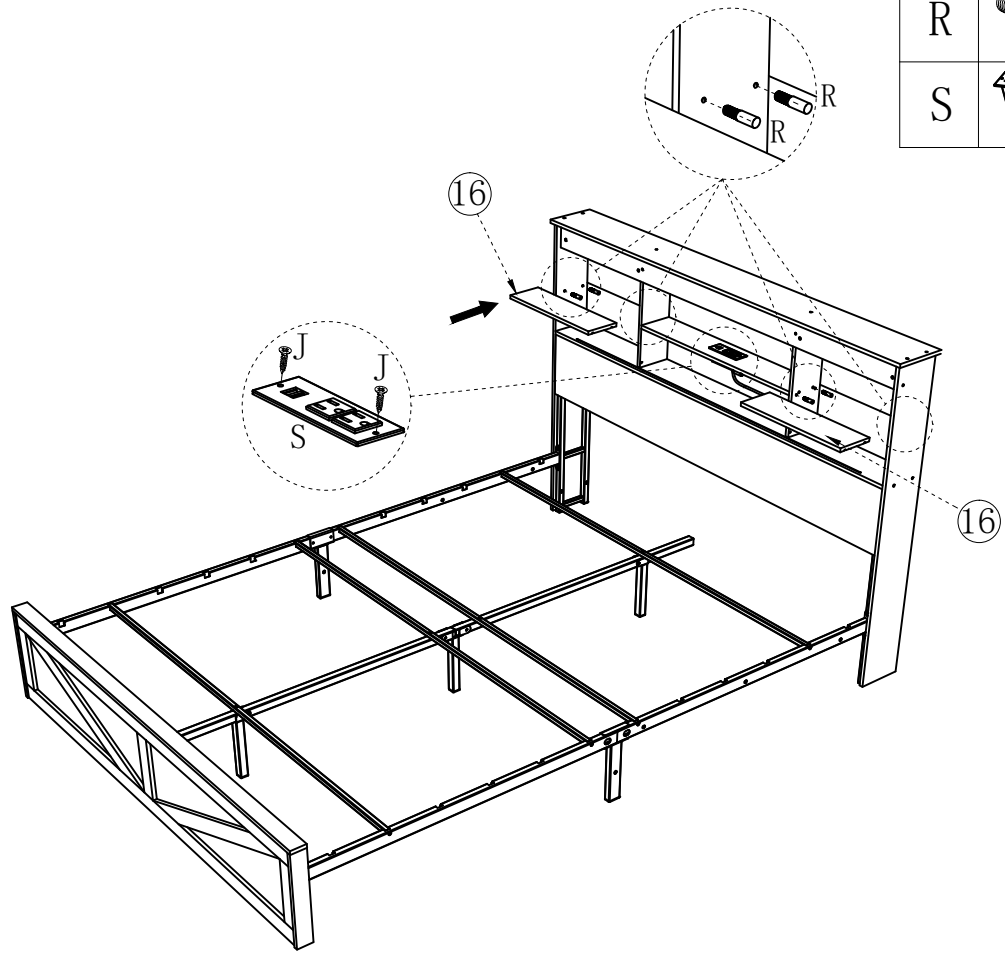
STEP 14

L		M5*40mm	6pcs
f		M6	1pcs
g		M4*15mm	5pcs





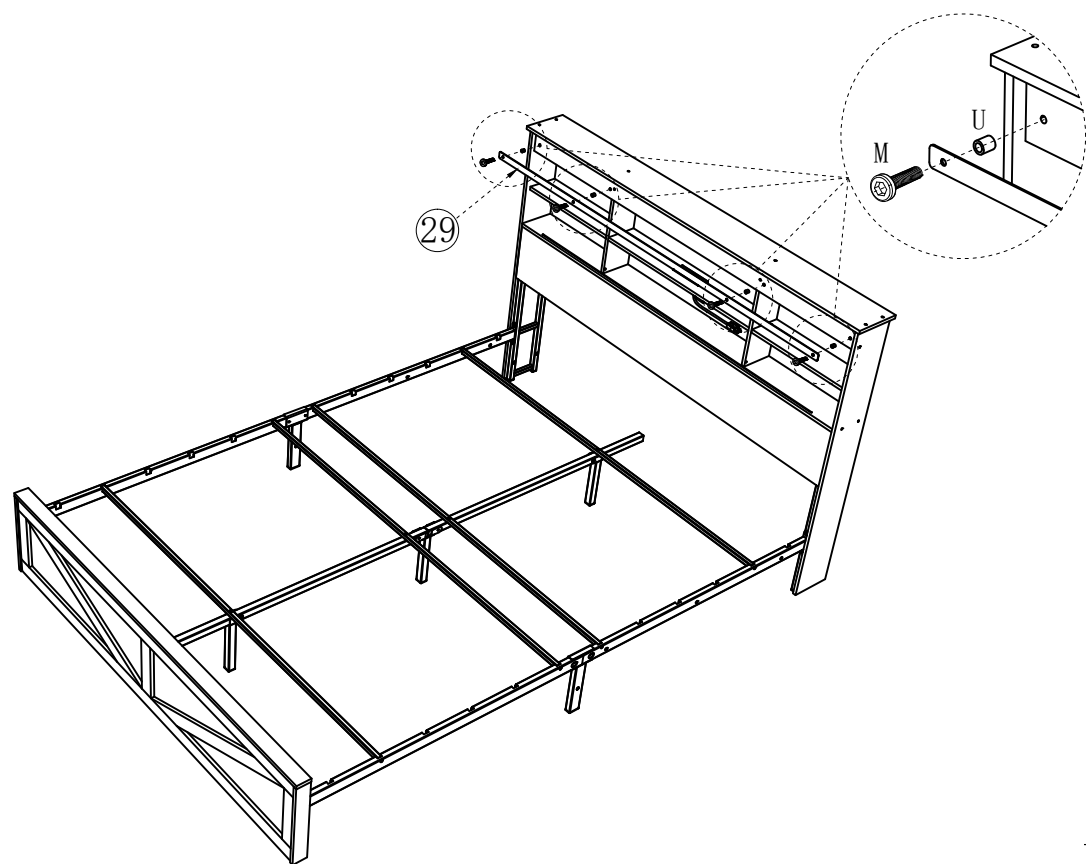
STEP 15

J		M4*10mm	2pcs
R		M5*19mm	8pcs
S			1pcs





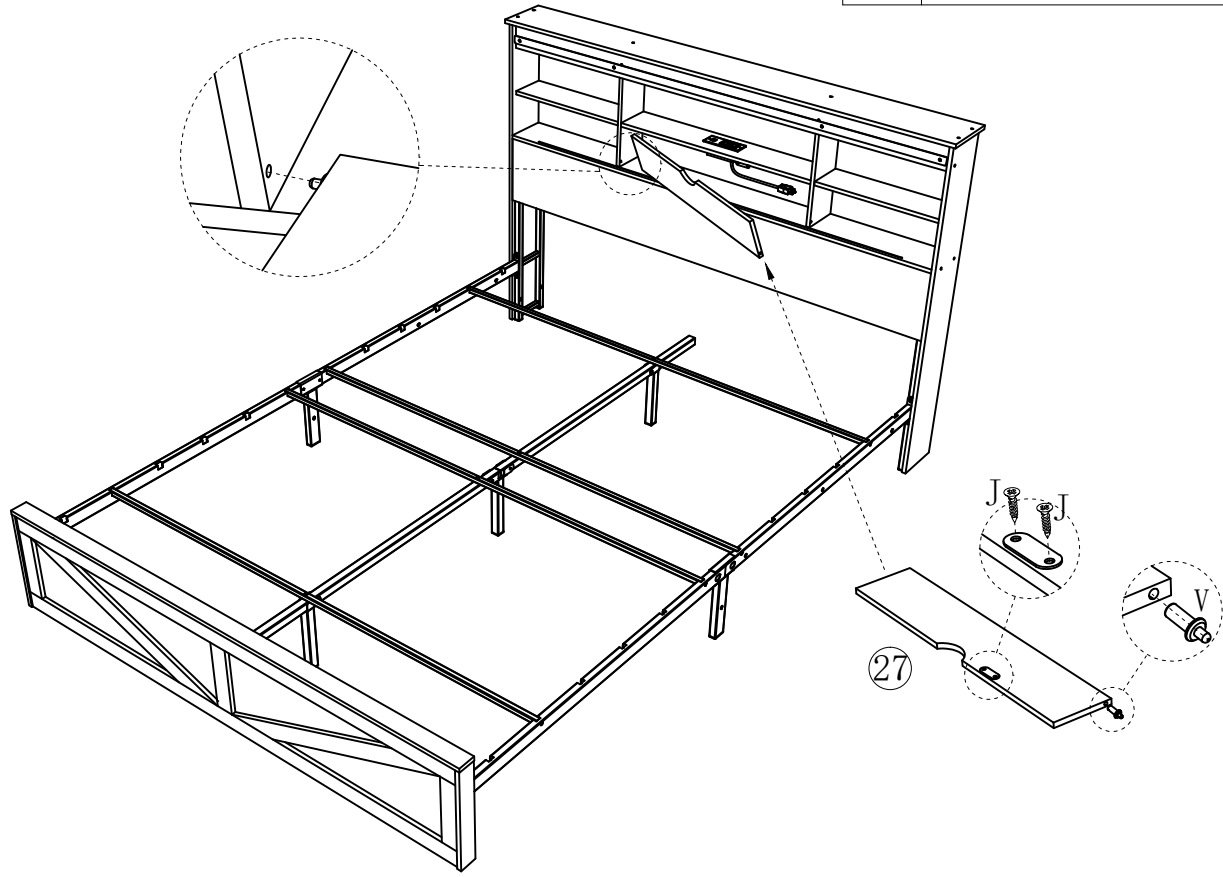
STEP 16

M		M6*25mm	4pcs
U		∅9*11mm	4pcs







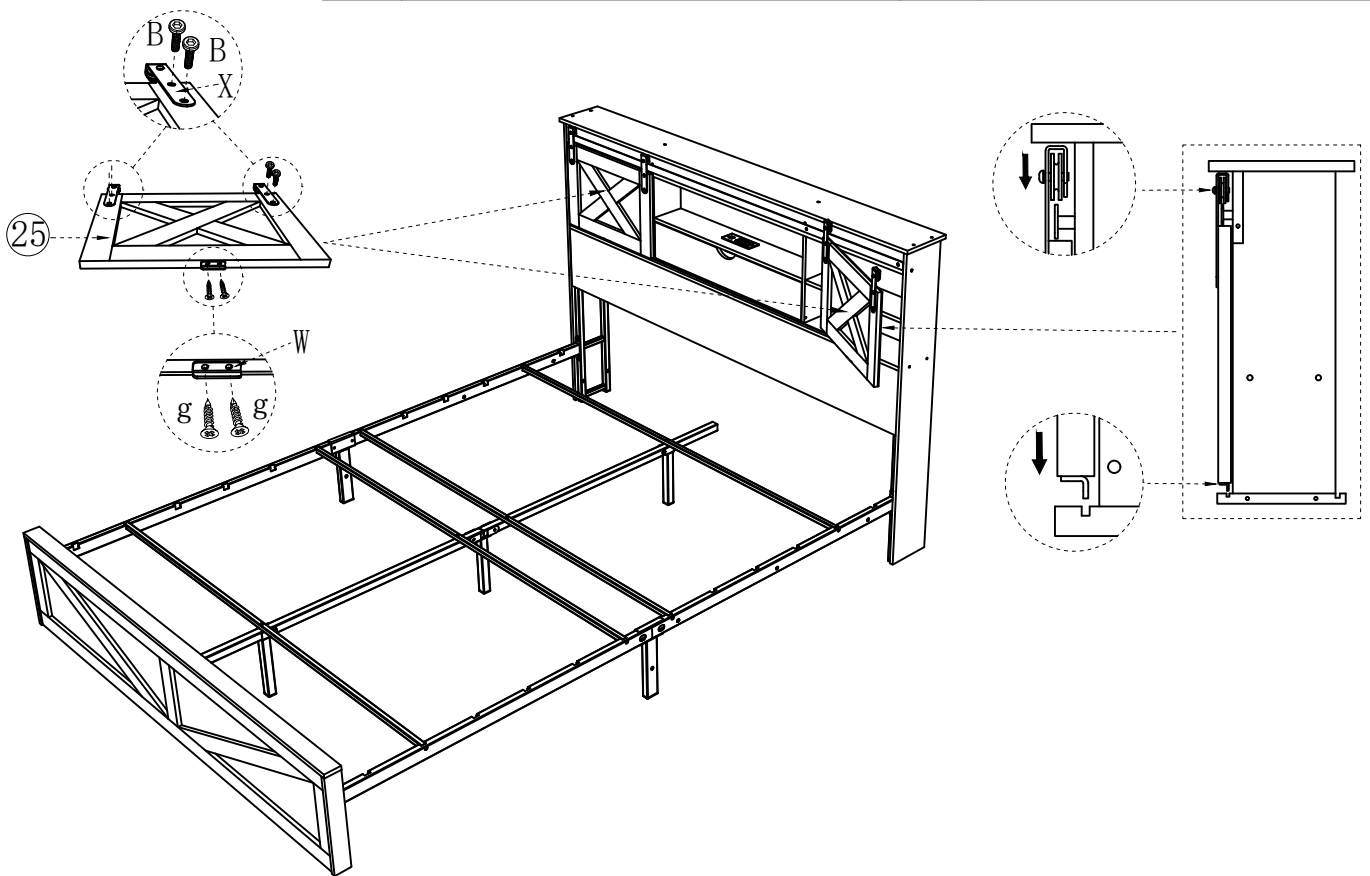
STEP 17

J		M4*10mm	2pcs
V			2pcs

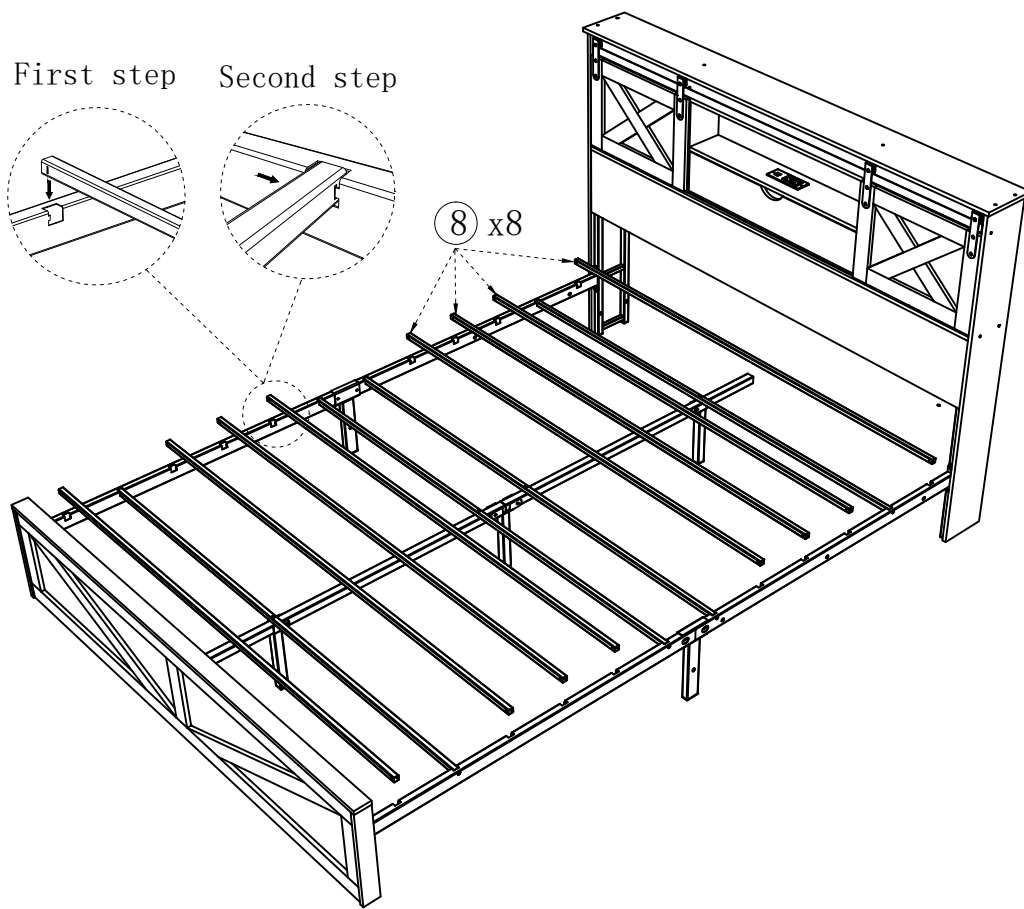


STEP 18

B		M6*10mm	8pcs	W		2pcs
X			4pcs	g		M4*15mm 4pcs

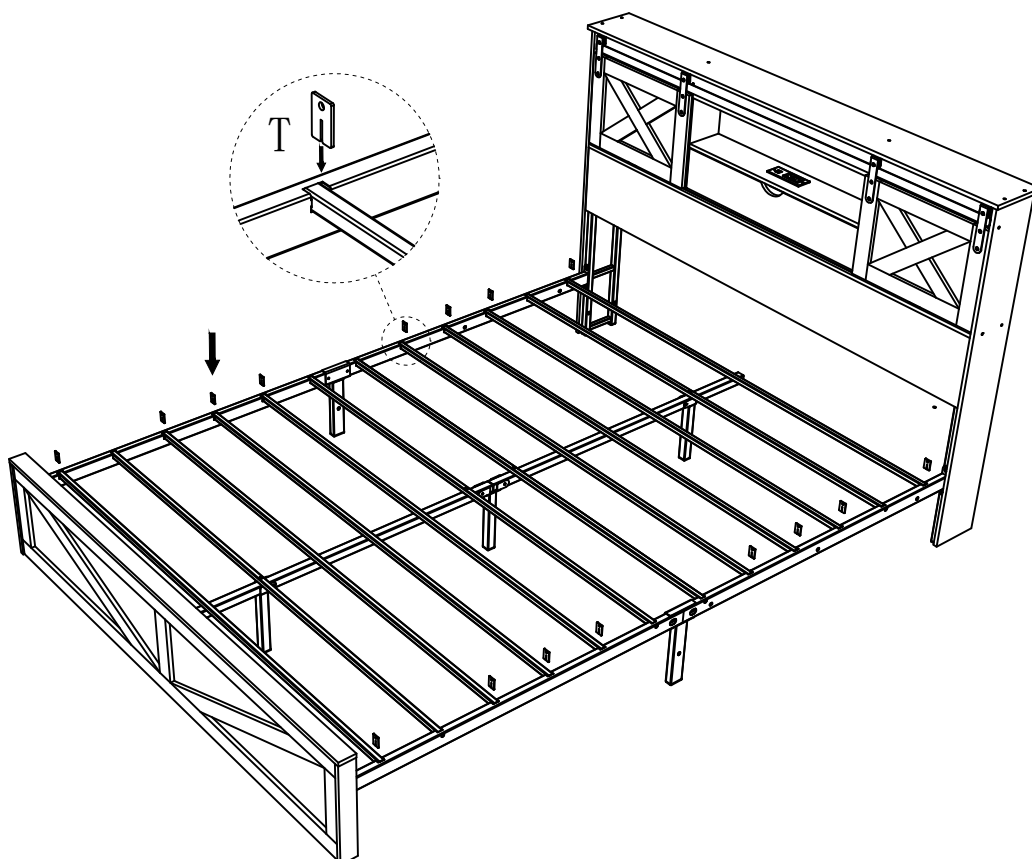


STEP 19




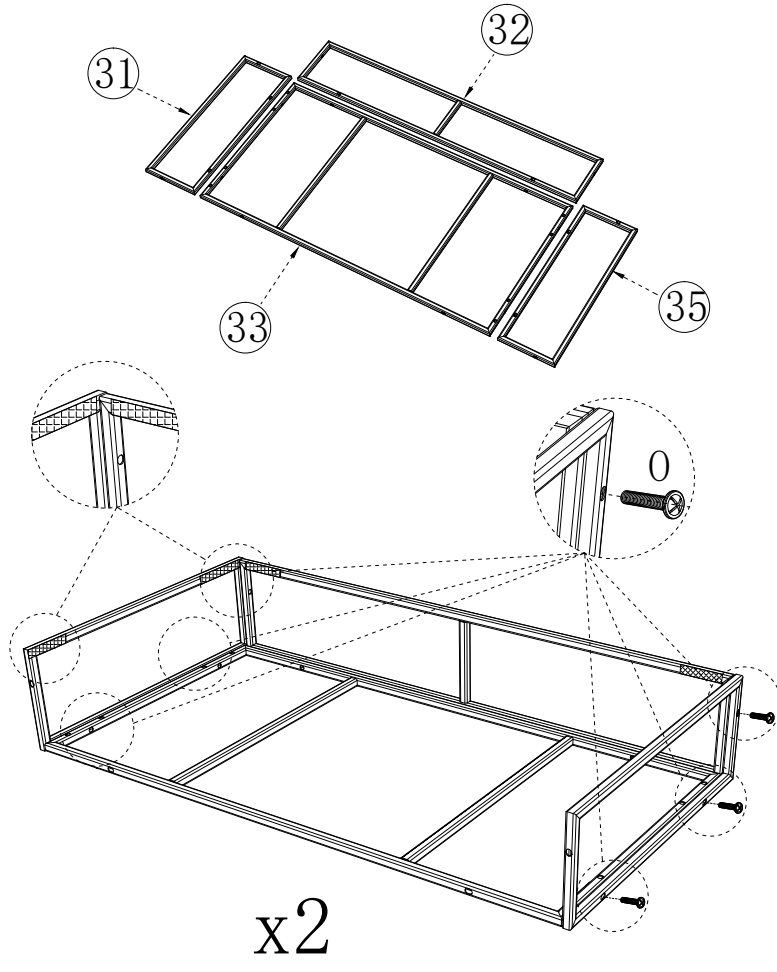
STEP 20

T		16pcs
---	---	-------





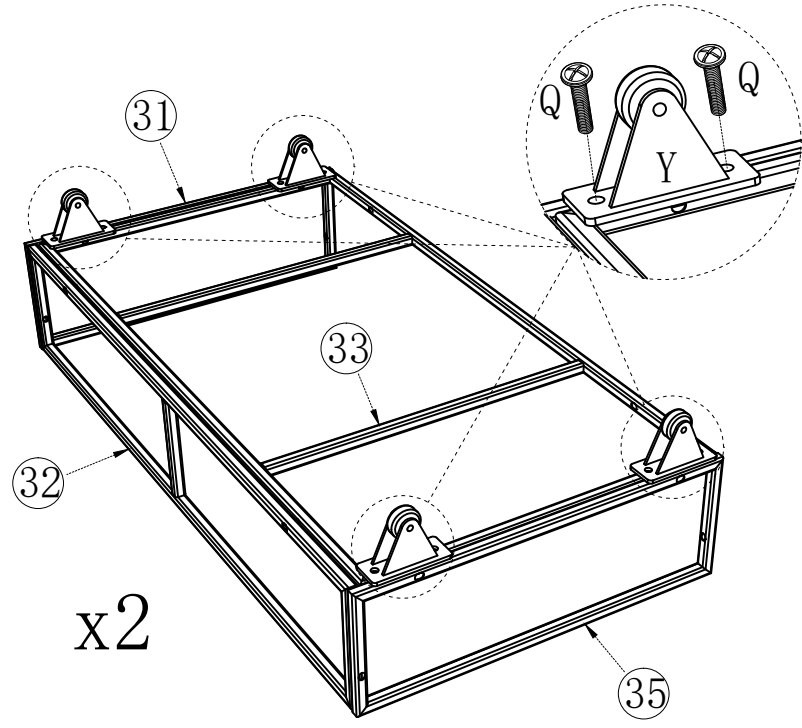
STEP 21

0		M4*18mm	12pcs
---	---	---------	-------




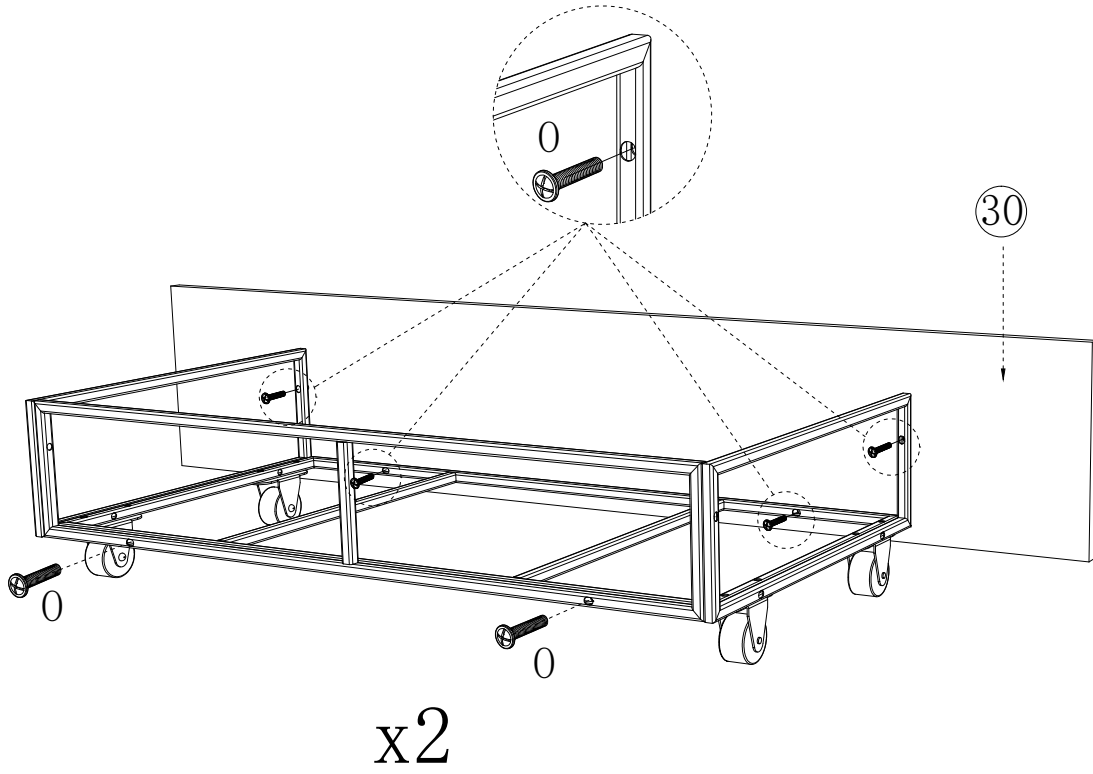
STEP 22

Q		M4*14mm	16pcs
Y		1.5	8pcs

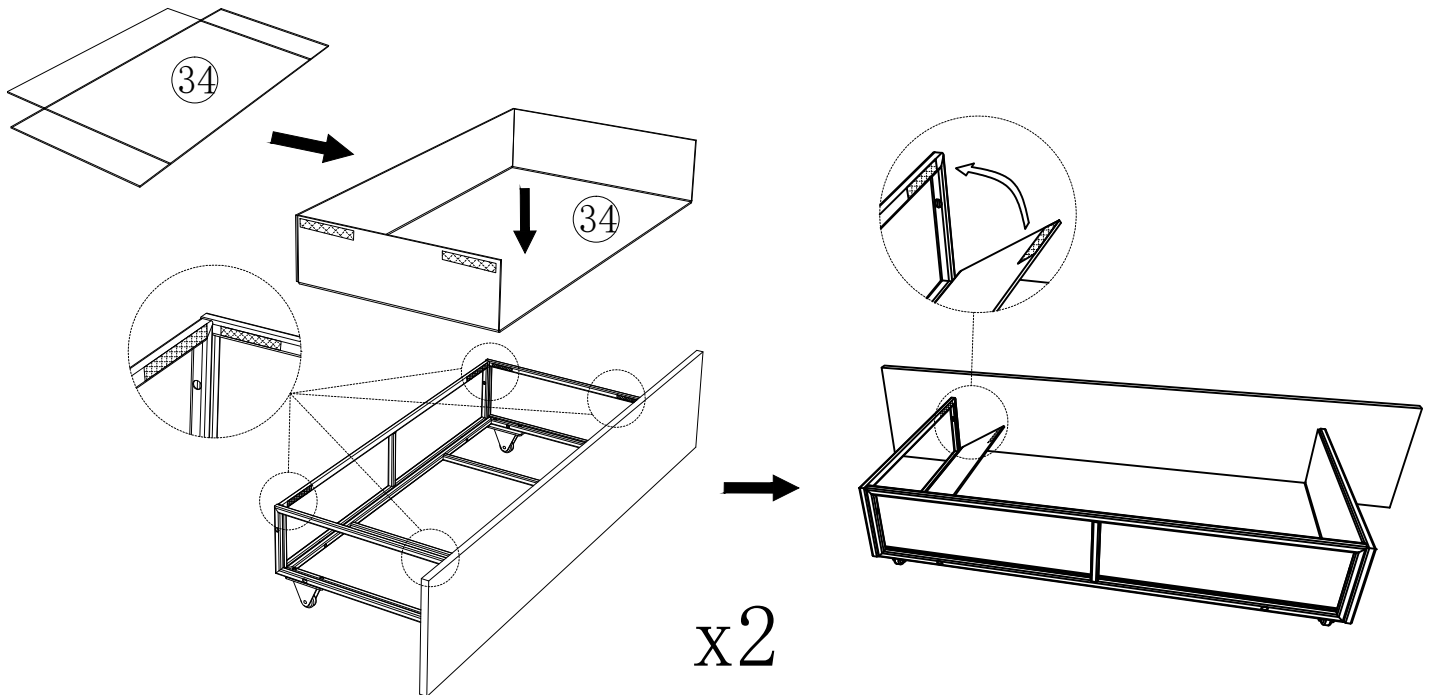


STEP 23

0  M4*18mm 12pcs



STEP 24

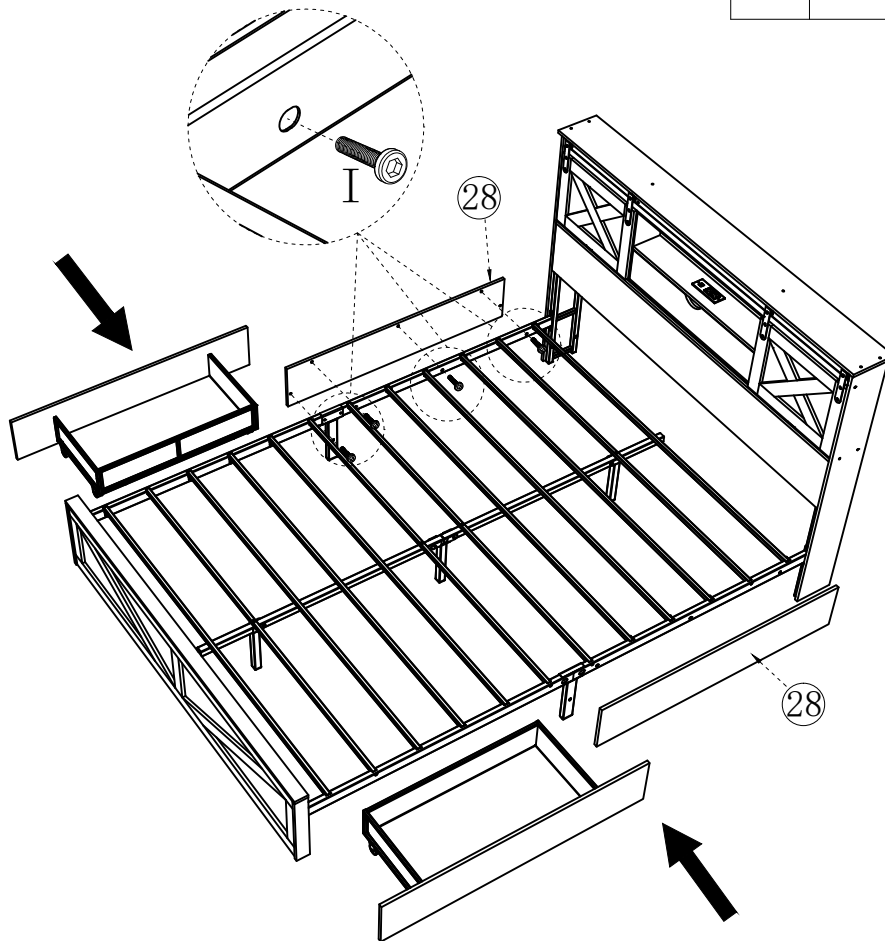


STEP 25

I



M6*30mm 8pcs



STEP 26

This LED light strip
directly into the USB

