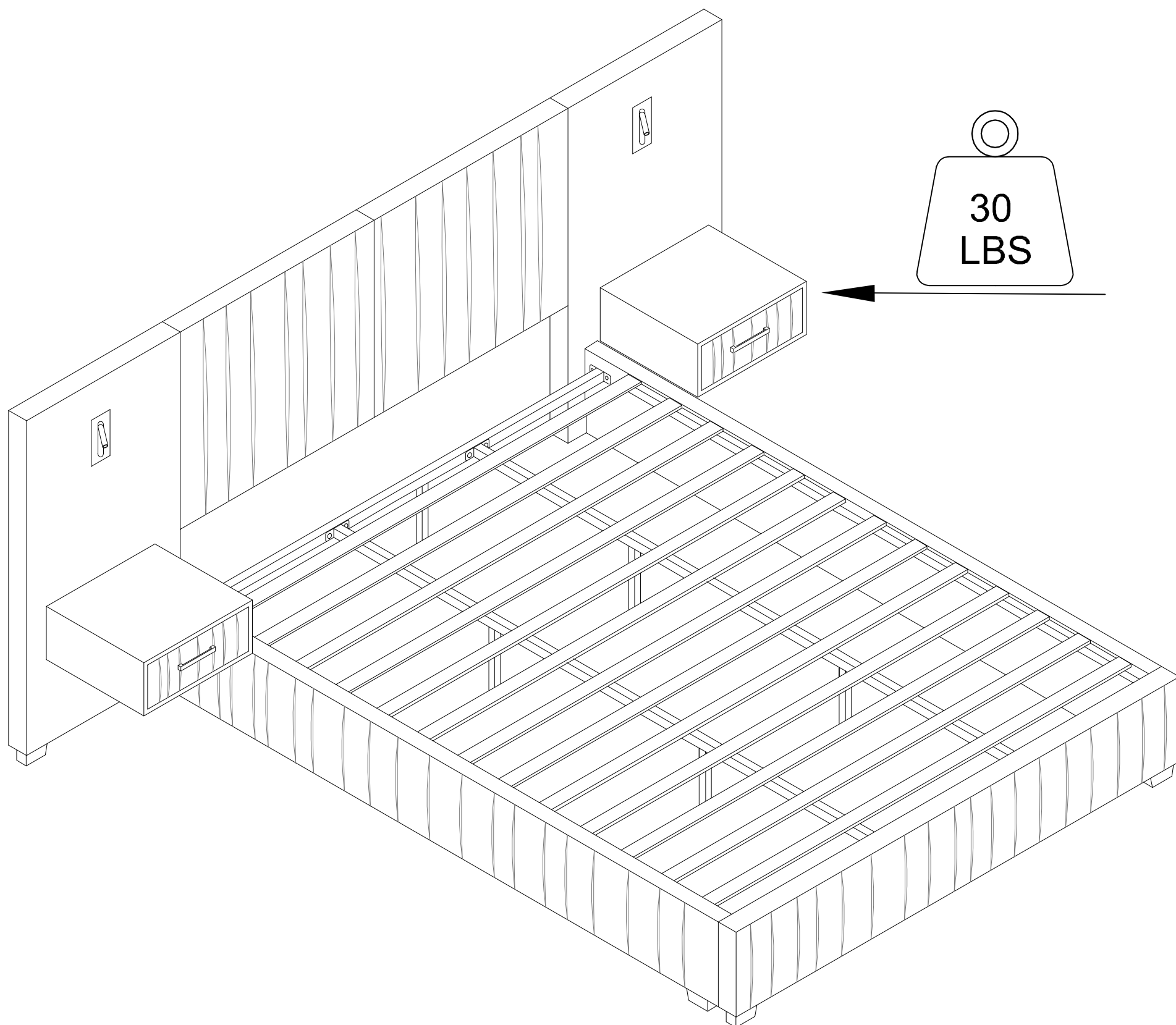
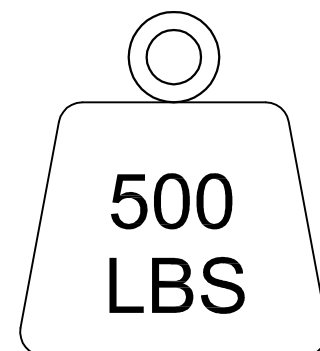


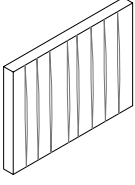
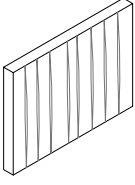
# ASSEMBLY INSTRUCTIONS

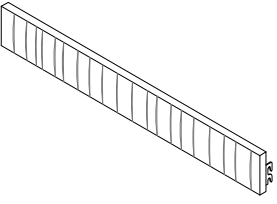
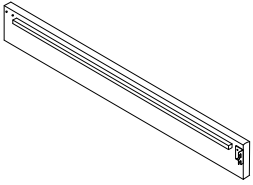
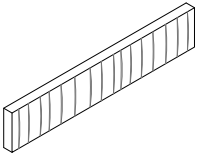
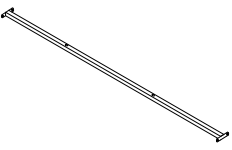
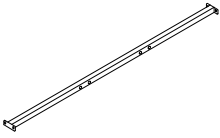
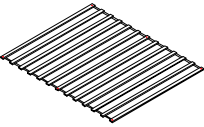

2628K

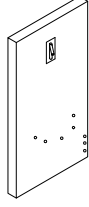
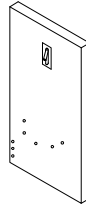
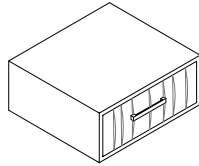
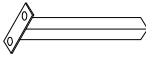
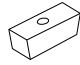
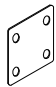
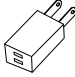
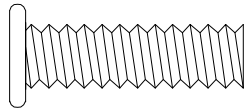
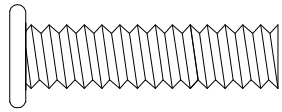
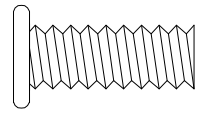

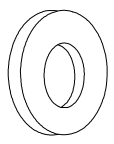

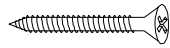
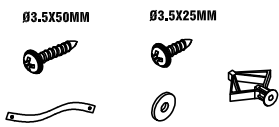


Install all screws according to the instructions, and then tighten them completely.

PACKING DETAILS:TOTAL 3 BOXES

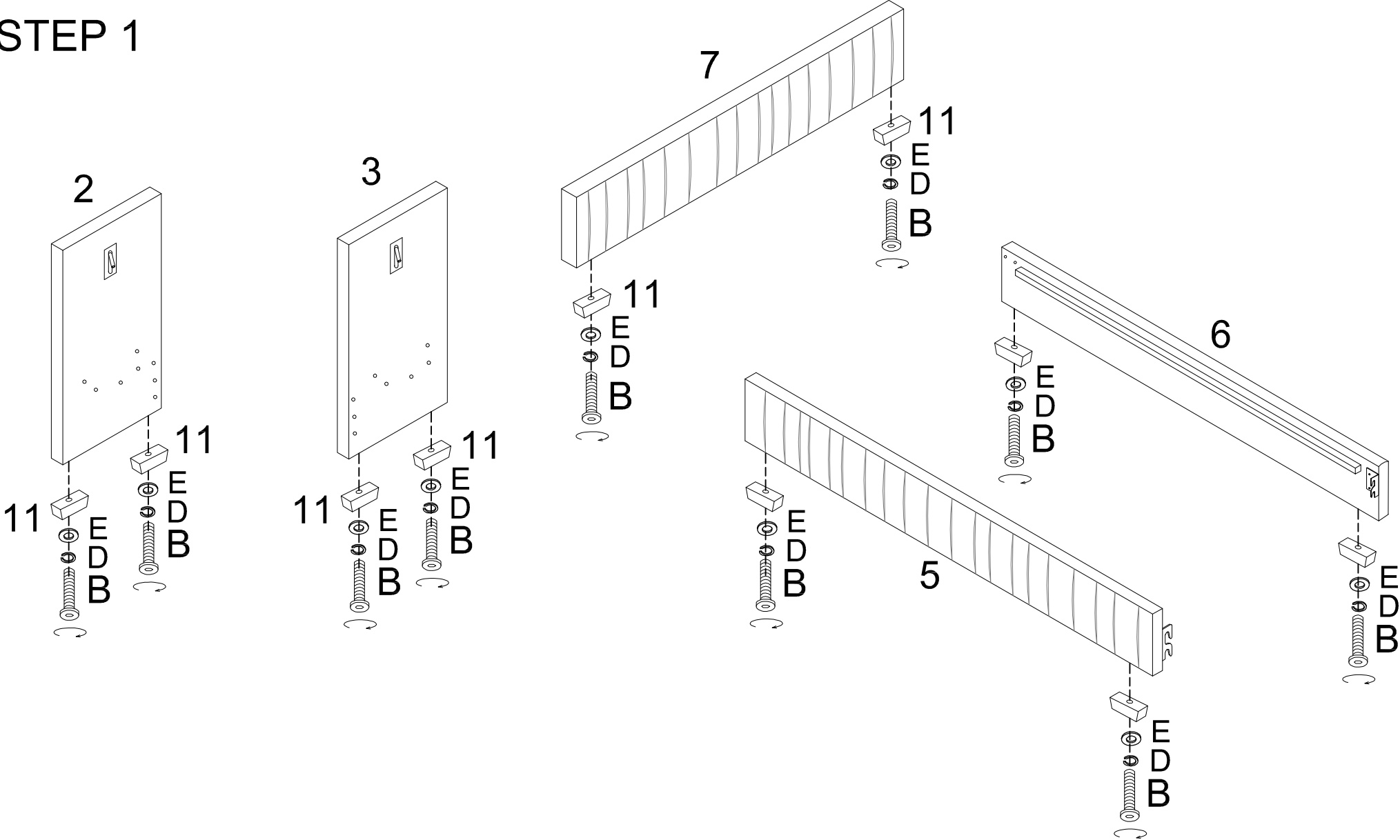
1-3	
	1-(1pc)
	15-(1pc)

3-3	
	5-(1pc)
	6-(1pc)
	7-(1pc)
	8-(2pcs)
	9-(1pc)
	12-(1set)
	16-(2pcs)

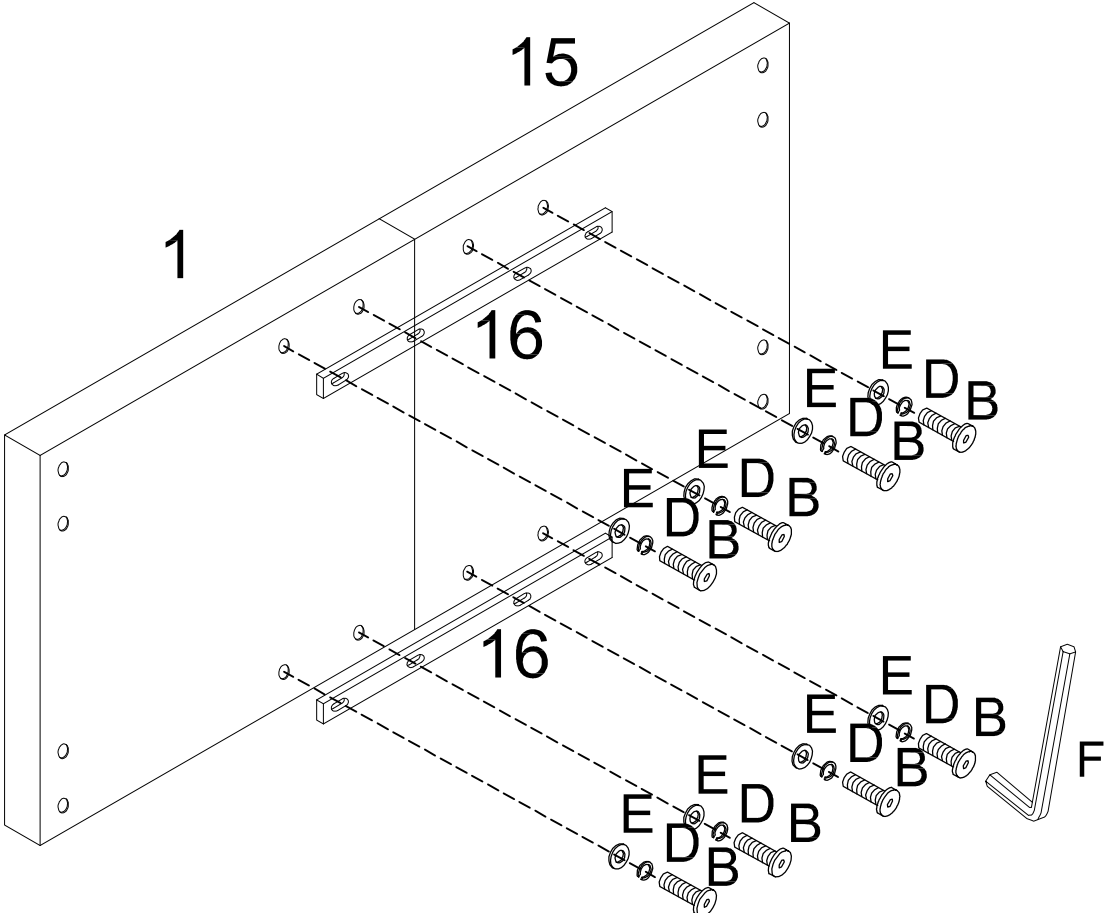
2-3	
	2-(1pc)
	3-(1pc)
	4-(2pcs)
	10-(5pcs)
	11-(10pcs)
	13-(4pcs)
	14-(1pc)
(Hardware Packet)	
	Bolt M8*85 A-(12pcs)
	Bolt M8*45 B-(18pcs)
	Bolt M8*25 C-(42pcs)
	Spring Washer M8 D-(72pcs)
	Flat Washer M8*16 E-(72pcs)
	Allen Key M8 F-(1pc)
	Screw M4*25 G-(6pcs)
	Anti-fall hardware H-(2Set)

# ASSEMBLY INSTRUCTIONS

## STEP 1

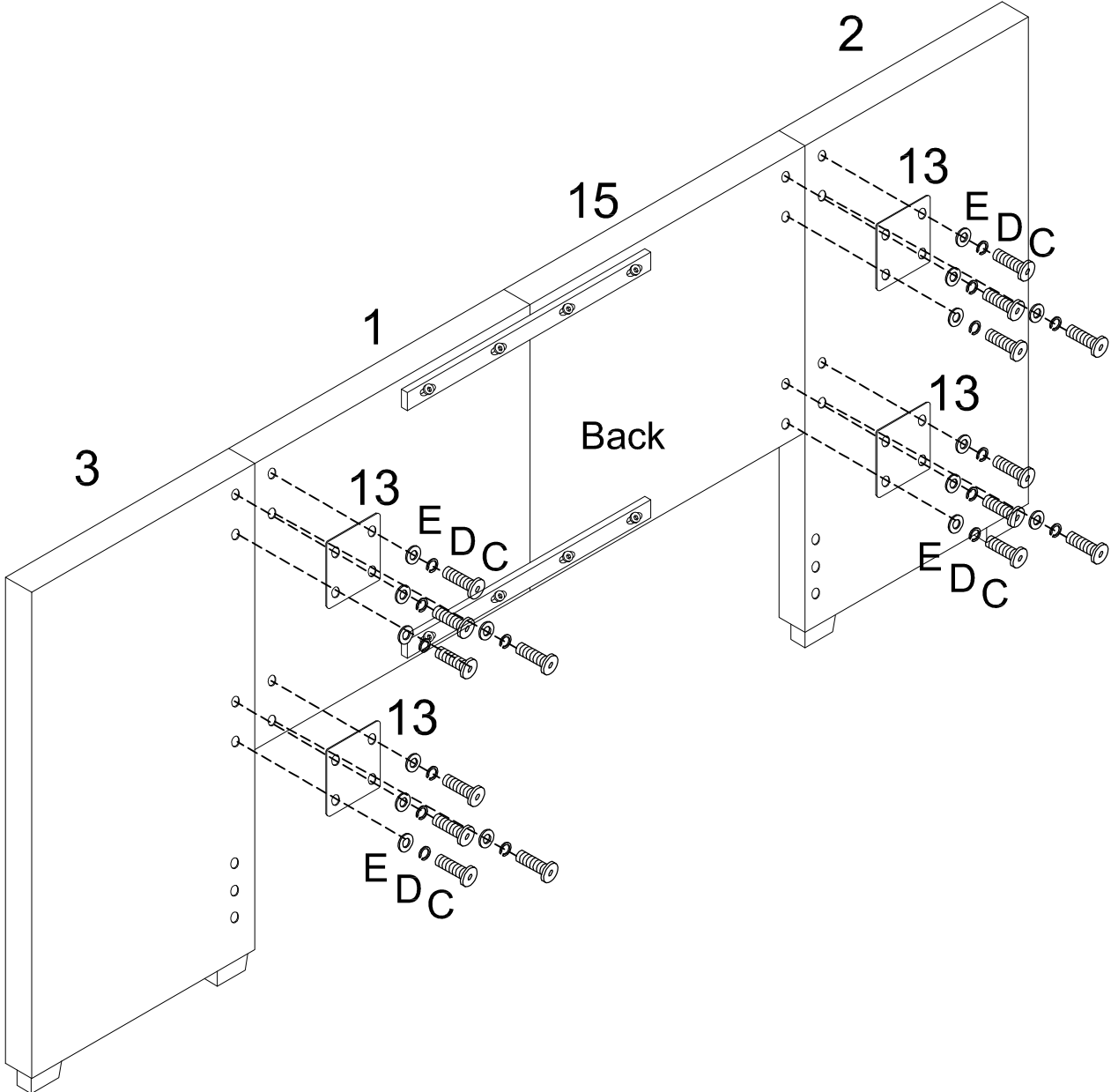


## STEP 2

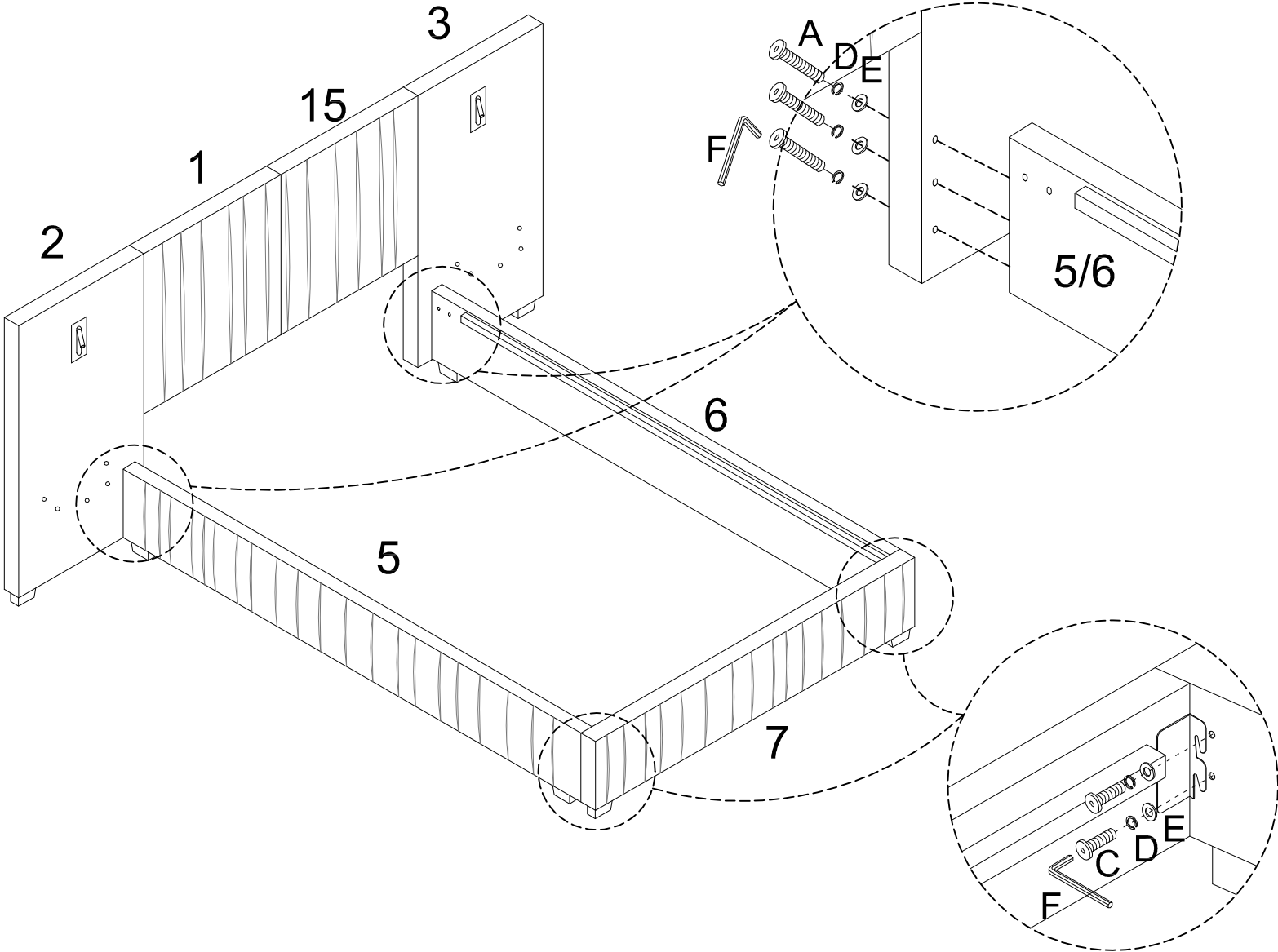


# ASSEMBLY INSTRUCTIONS

## STEP 3

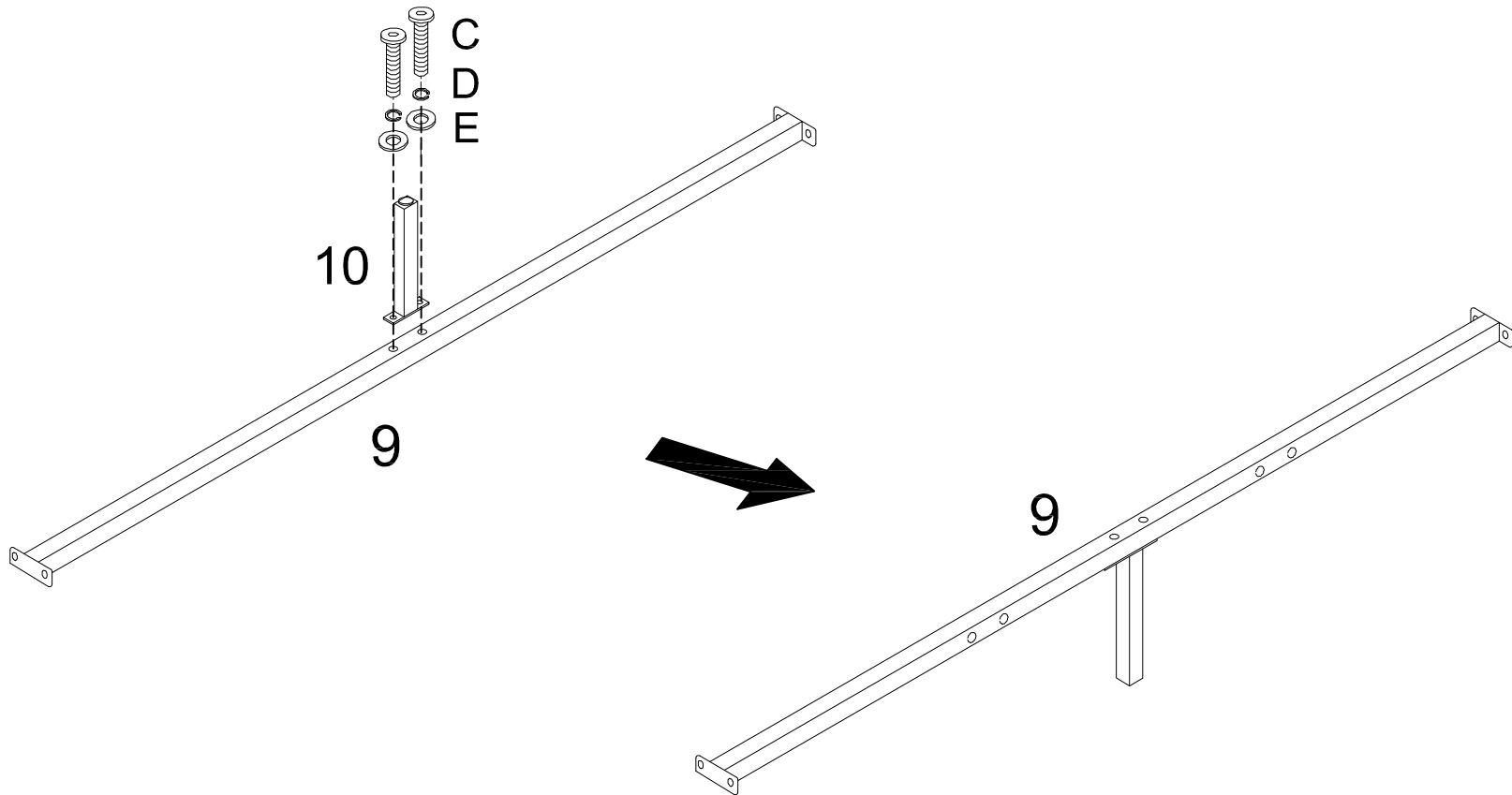


## STEP 4

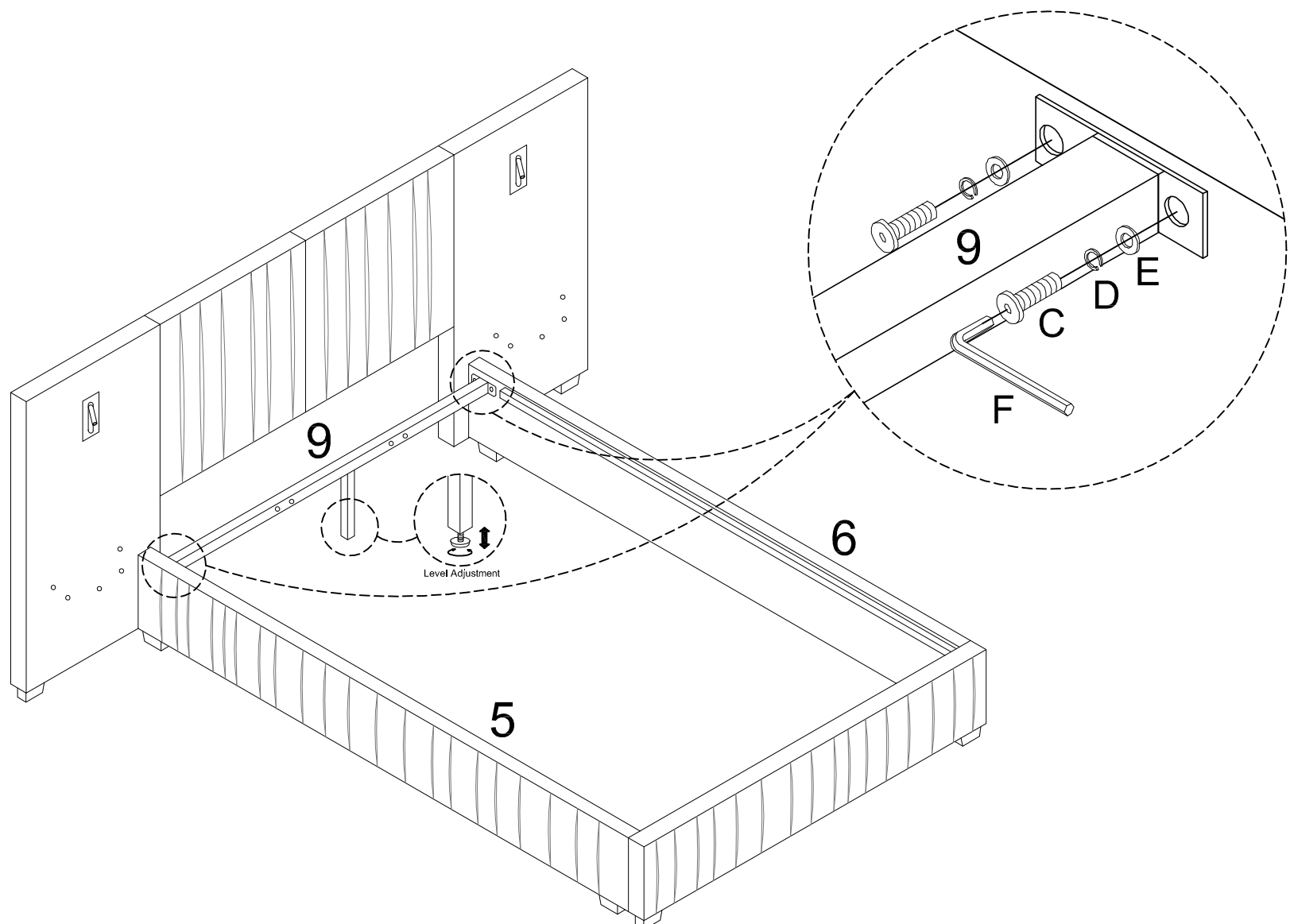


# ASSEMBLY INSTRUCTIONS

## STEP 5

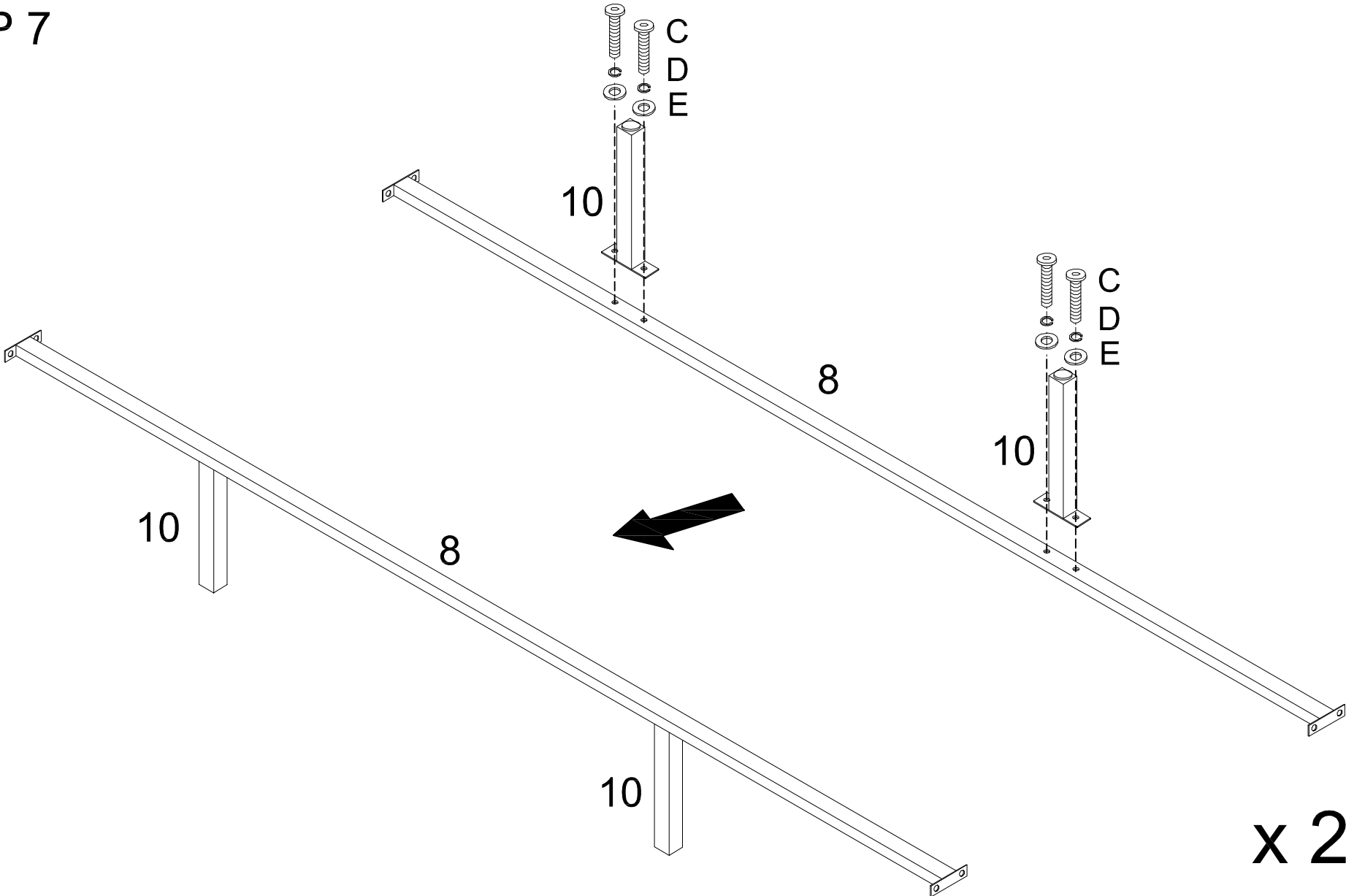


## STEP 6

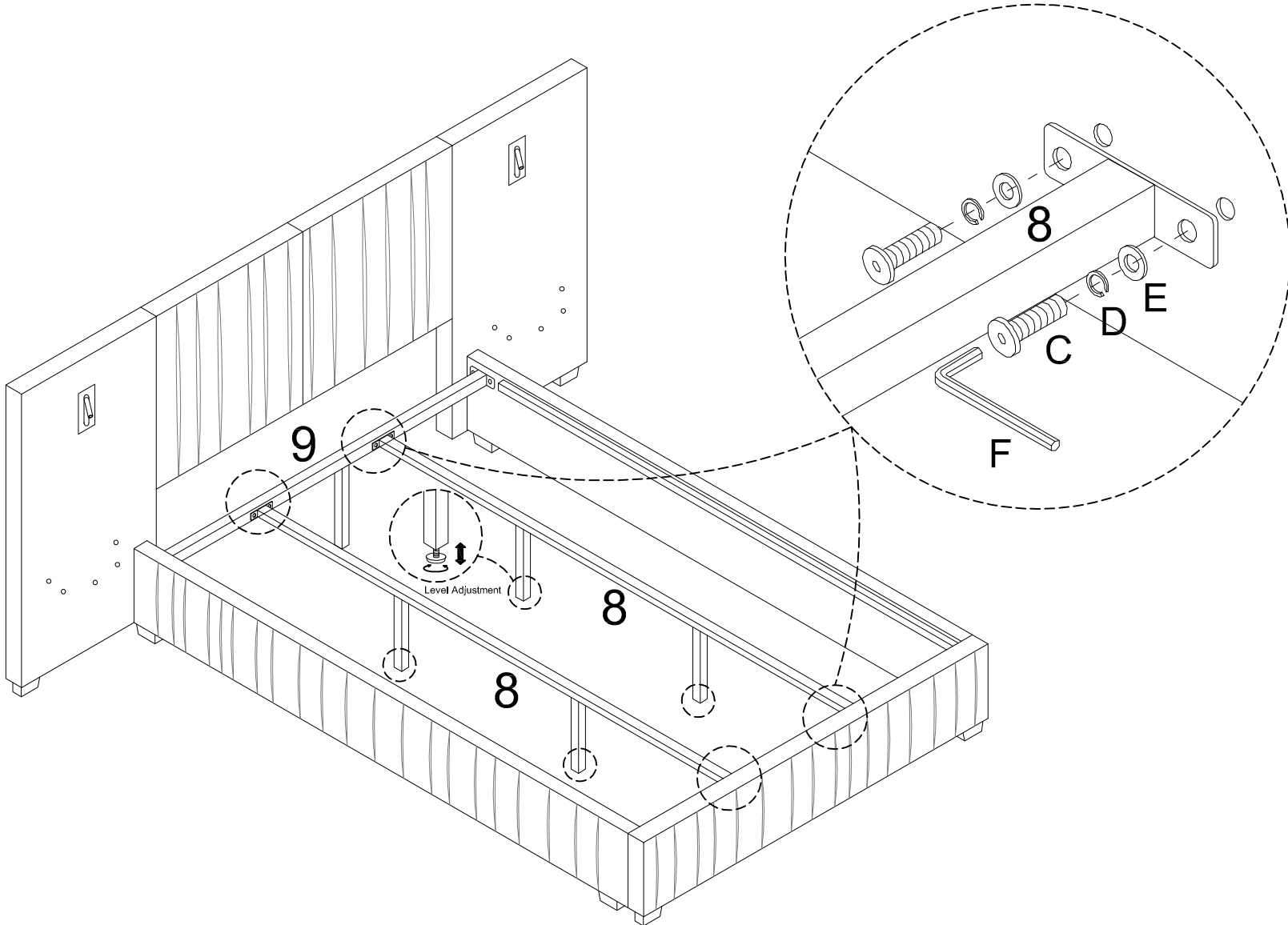


# ASSEMBLY INSTRUCTIONS

## STEP 7

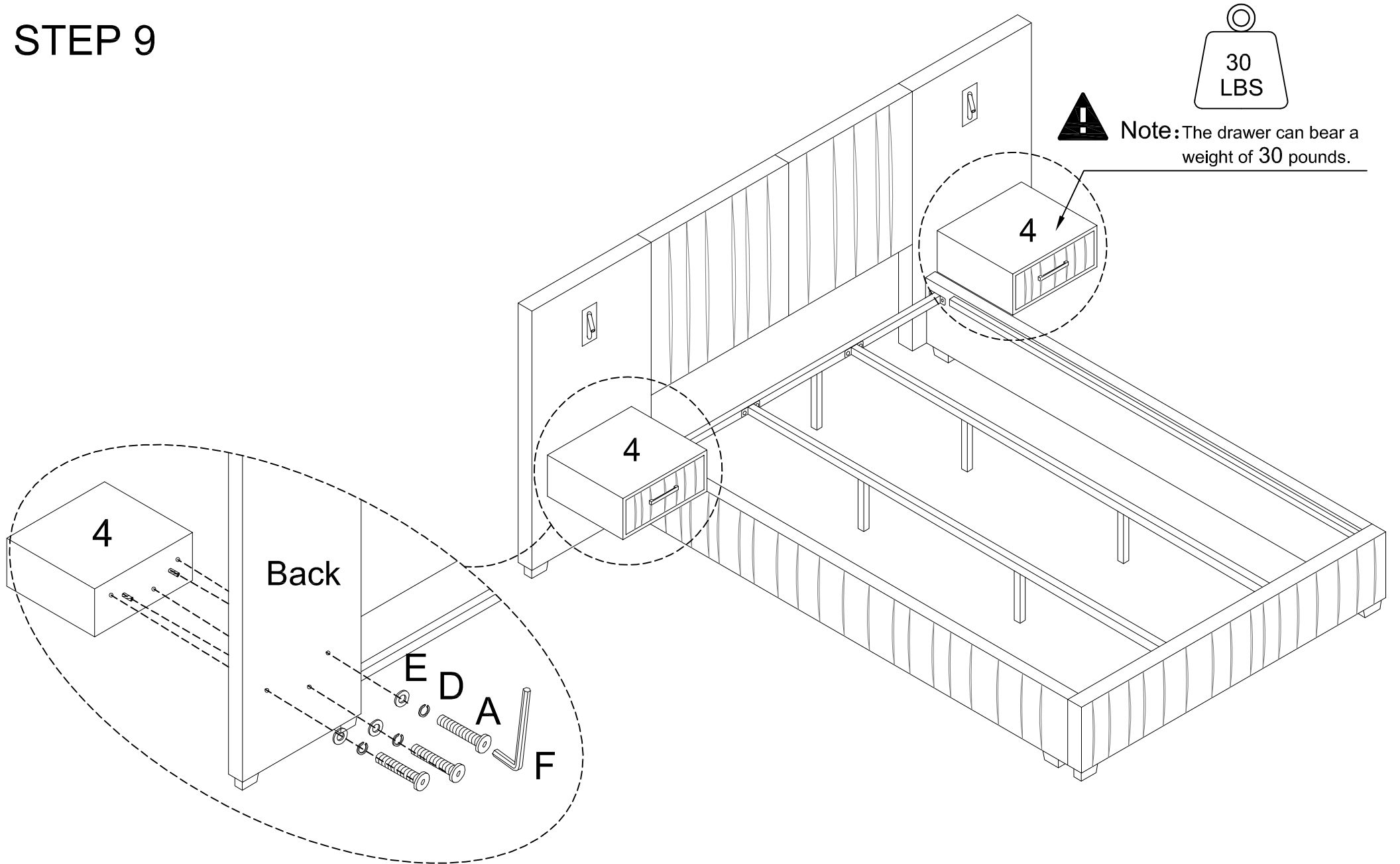


## STEP 8

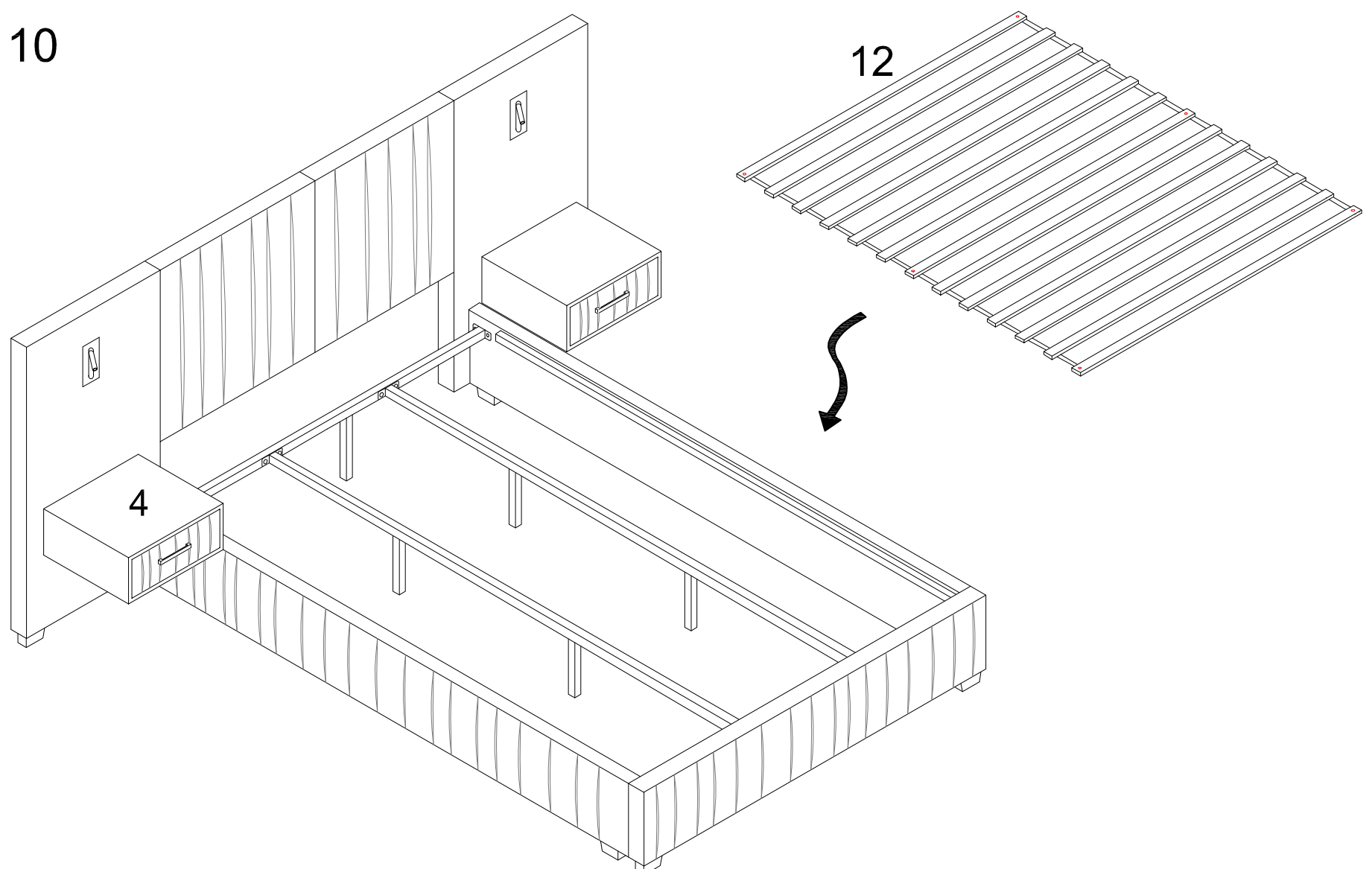


# ASSEMBLY INSTRUCTIONS

## STEP 9

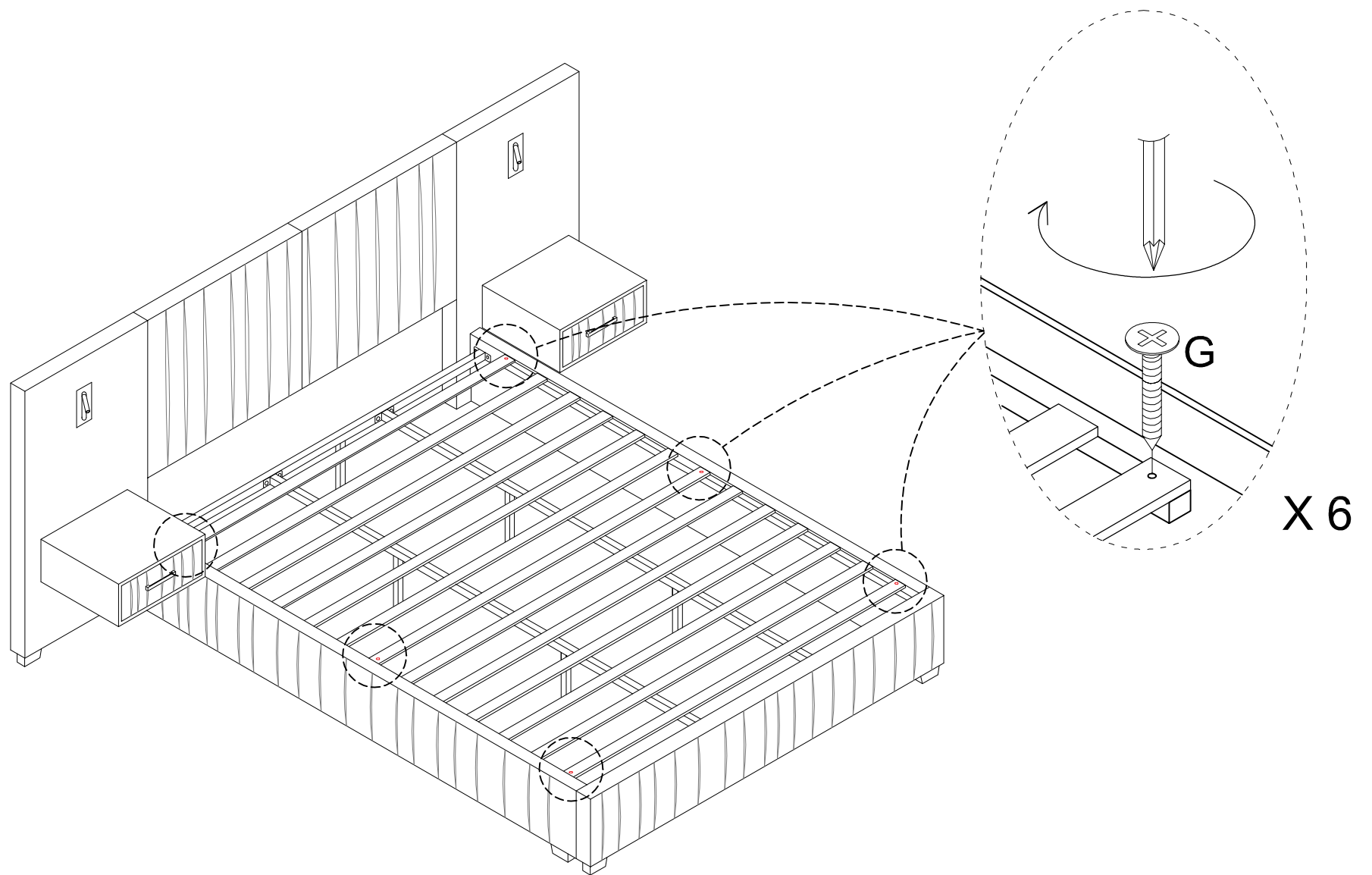


## STEP 10

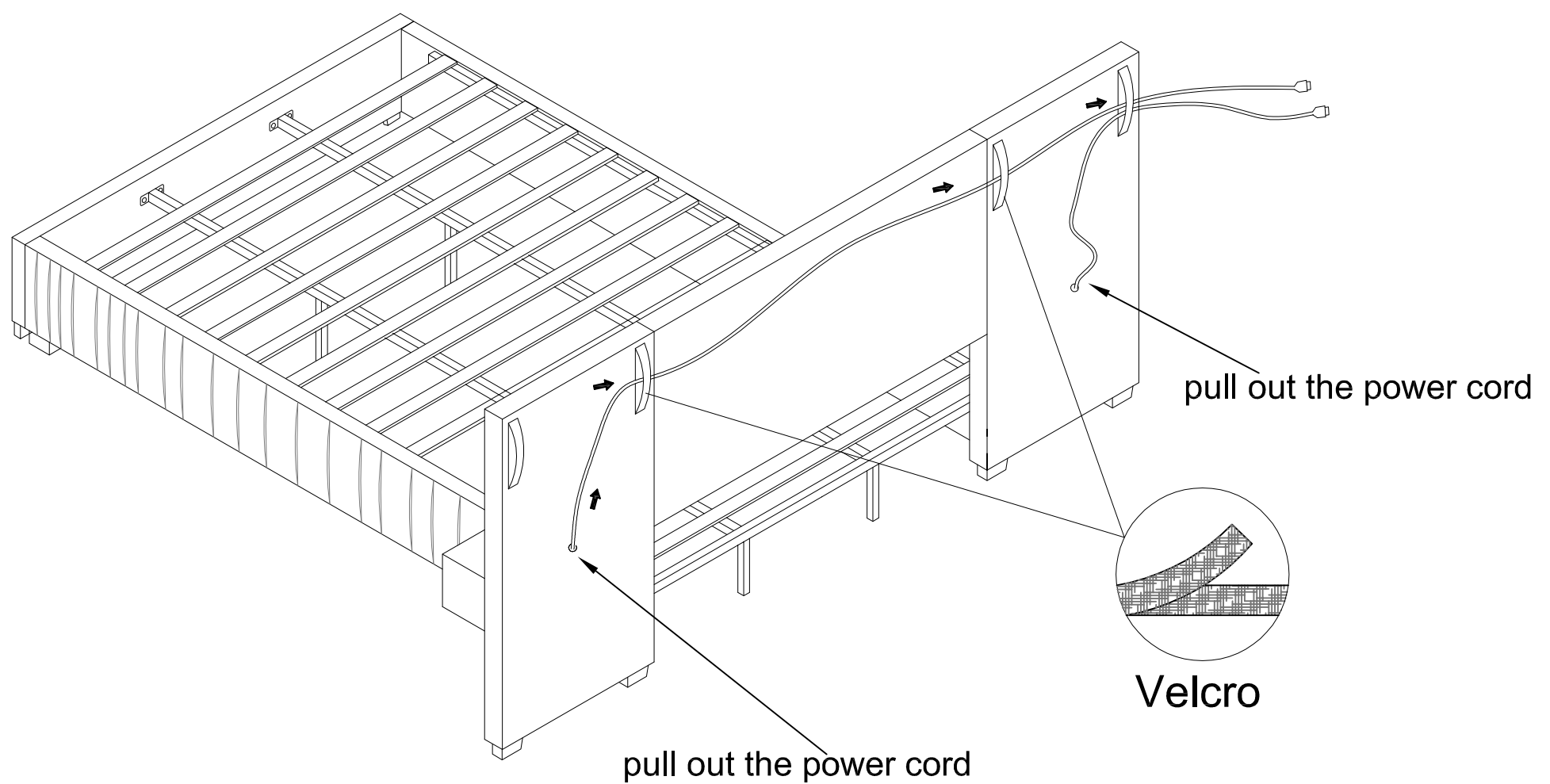


# ASSEMBLY INSTRUCTIONS

## STEP 11

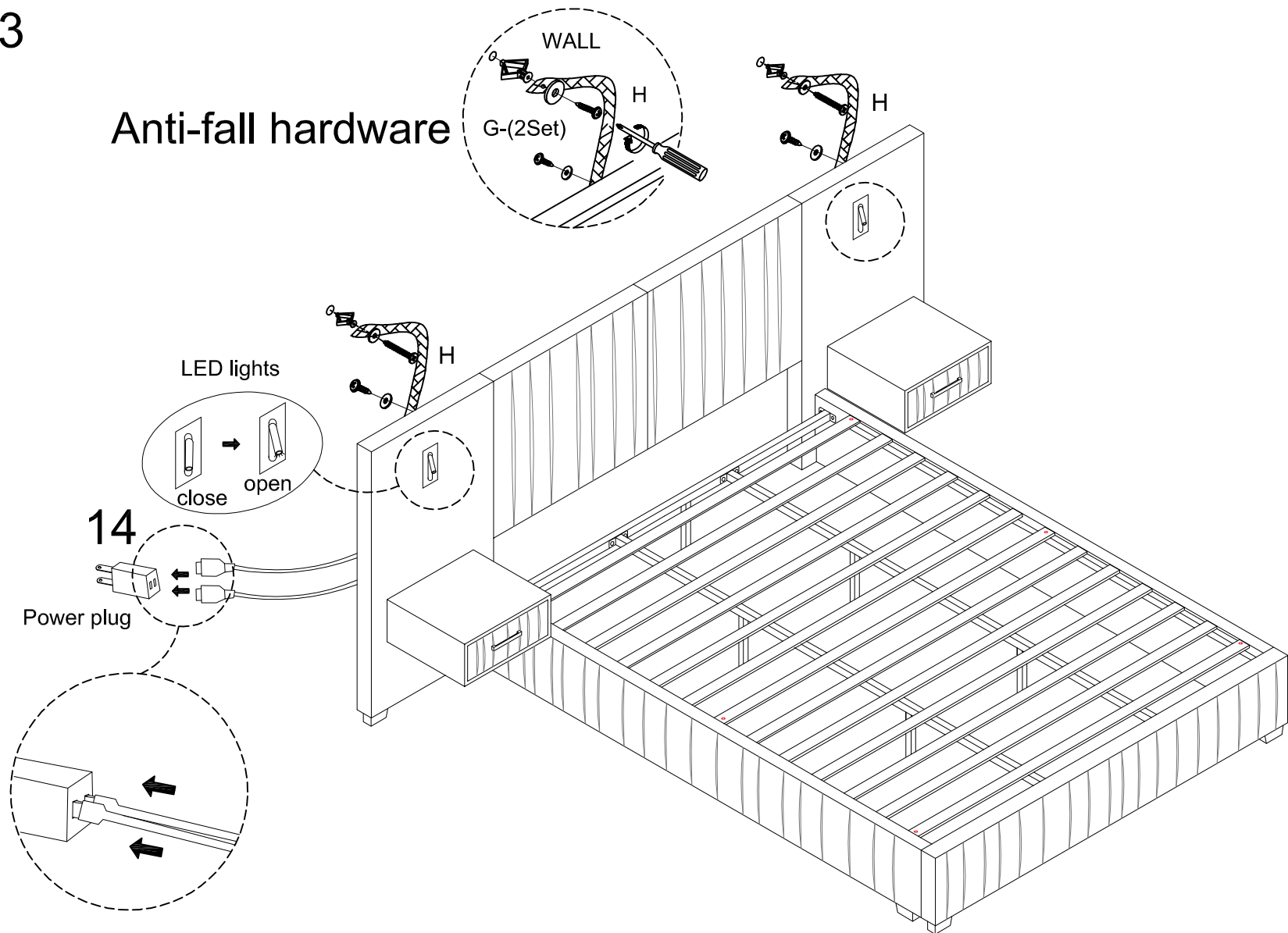


## STEP 12



# ASSEMBLY INSTRUCTIONS

## STEP 13



## STEP 14

