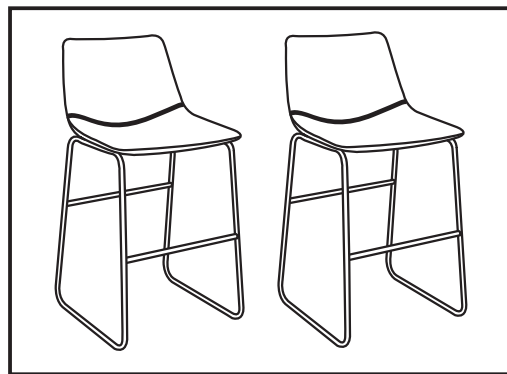










INSTRUCTION MANUAL ENCLOSED

INDOOR BAR STOOL

INDOOR BAR STOOL ASSEMBLY INSTRUCTION

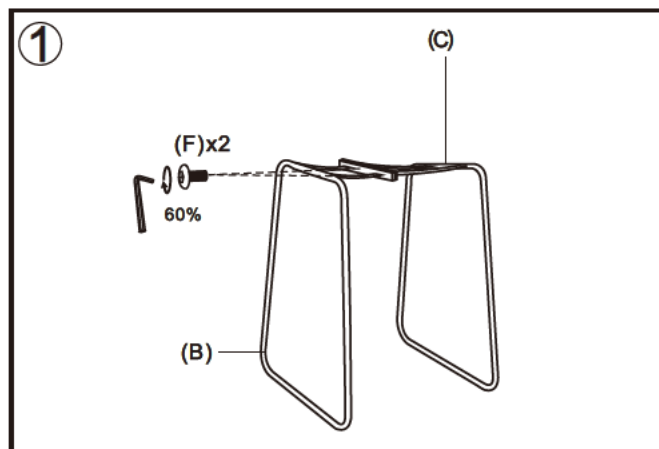


Part	PARTS LIST Description	Quantity
A	<i>PARTS</i> Bar Stool Top	1
B	Metal Frame	1
C	Metal Frame	1
D	Metal Frame	2
	<i>HARDWARE</i>	
E	Bolts	4
F	Bolts	2
G	Bolts	4
H	Allen Key	1

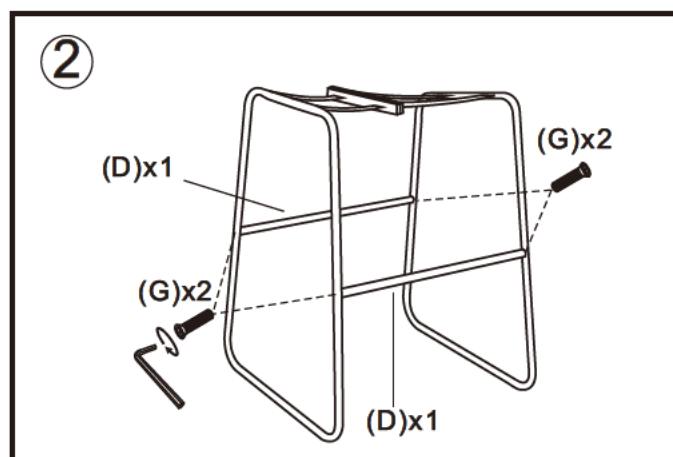
A  x1	B  x1	C  x1	D  x2
E  x4 (6*25mm)	F  x2 (8*12mm)	G  x4 (6*30mm)	Hx1  x1

PLEASE READ AND FOLLOW ALL SAFETY TIPS

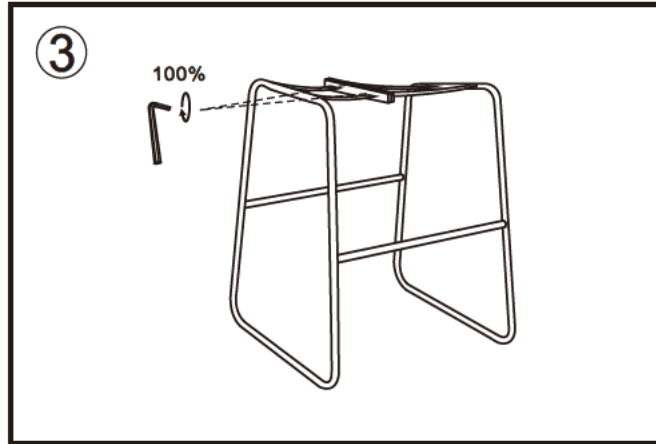
1. Taking Metal Frame(B) and Metal Frame(C), Use Allen Key(H) to fasten 2 Bolts(F) of 60% tightness to connect these two Metal Frame.(Photo 1)



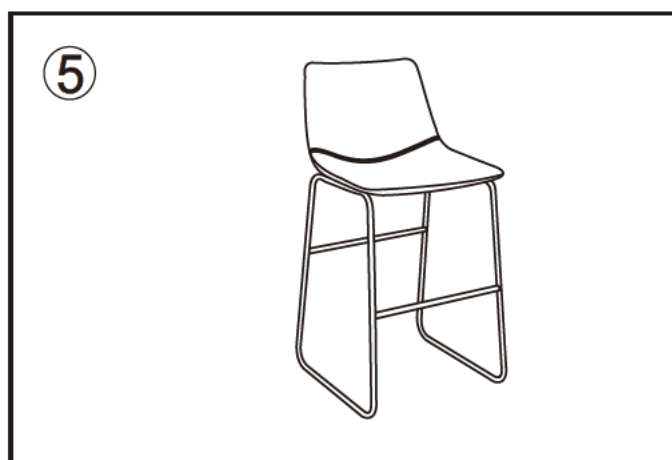
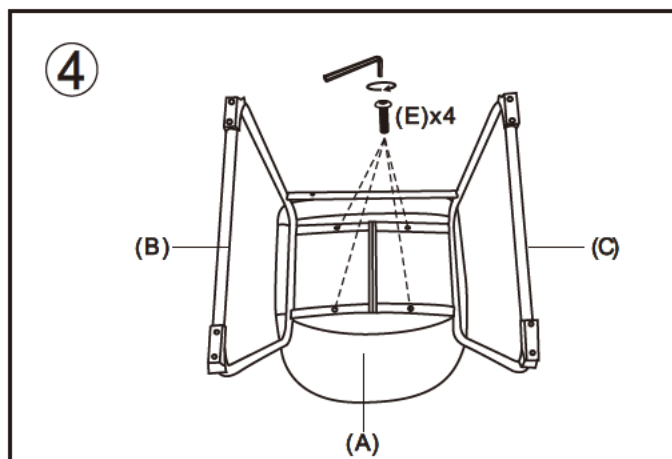
2. Hardwares(D) to these 2 frame, Use Allen Key(H) to fasten 4 Bolts(G) to hold them.(Photo 2)



3. Use Allen Key(H) to 100% completely fasten 2 Bolts(F).
(Photo 3)



4. Use Allen Key(H) to fasten 4 Bolts(E) on the bottom of the Chair Top(A). (Photo 4)



Till now you have finished the whole assembly and enjoy your furniture!