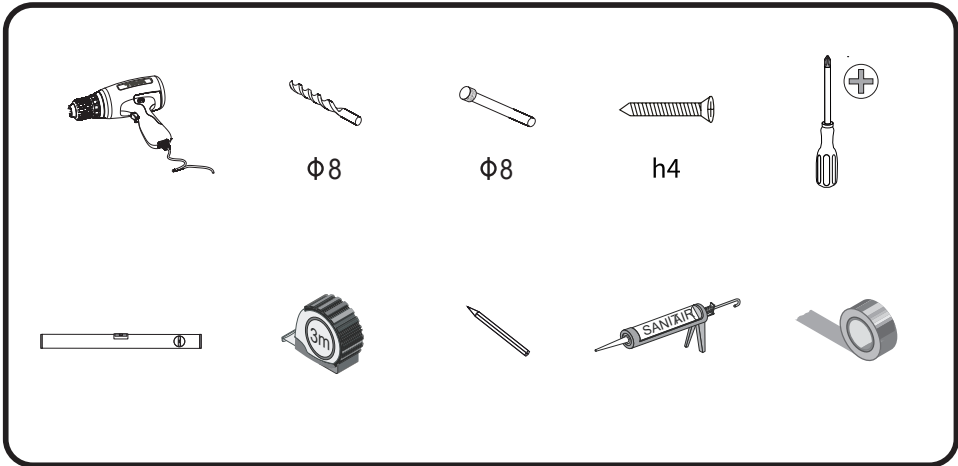


Installation & Assembly

1、 Parts List	01
2、 Installation instructions	03
3、 Installation Instructions	05
4、 Installation & adjustment of drawer	07
5、 The way to take off the drawer	08

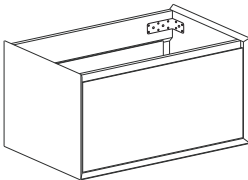
Tools List



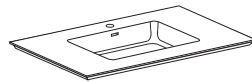
Parts List

Wall mounted system

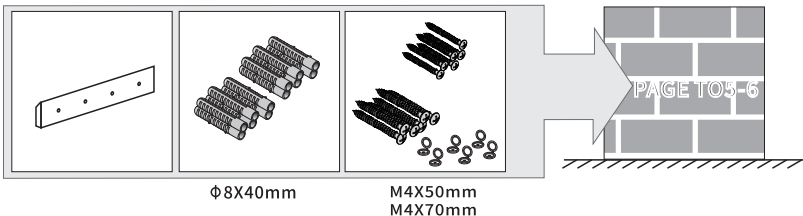
Cabinet



Basin



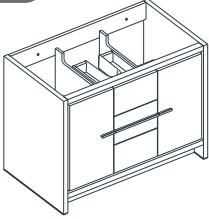
Fixed Accessories



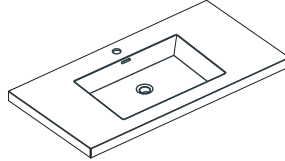
Parts List

Floor standing system

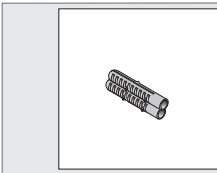
Cabinet



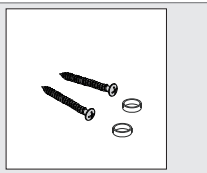
Basin



Fixed Accessories



Φ 8X40mm

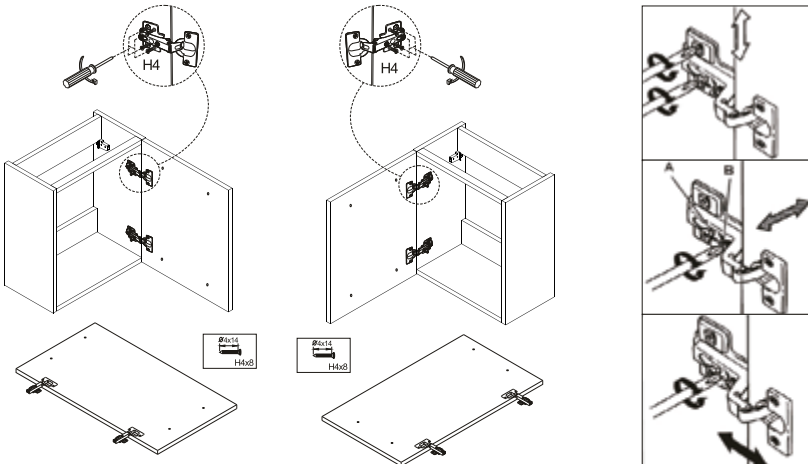


M4X50mm

PAGE T07-8

Installation & Adjustment of door

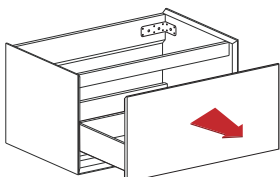
Small cabinet



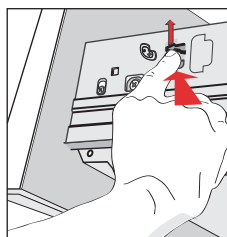
Installation Instructions

Wall mounted system

1

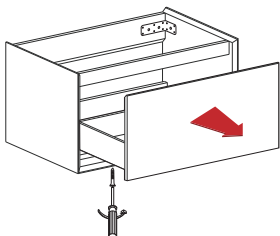


2



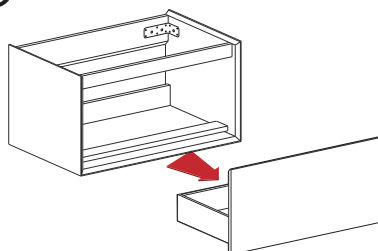
metal box

2



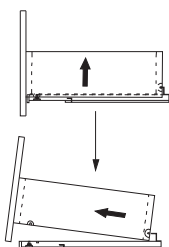
wooden drawer

3



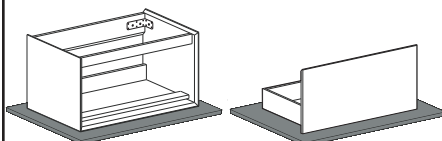
metal box

3

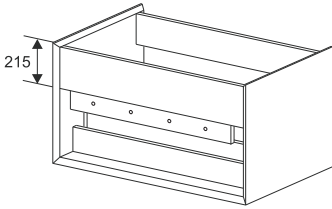


wooden drawer

4

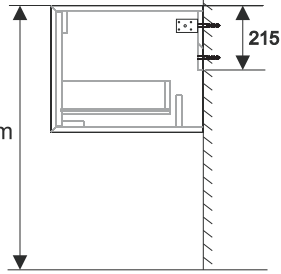


1

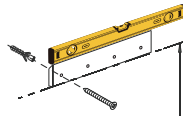
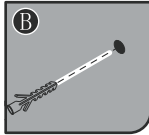
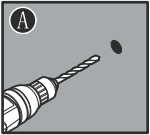


Recommended height of installation

850mm

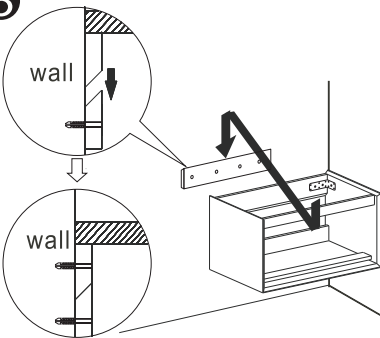


2

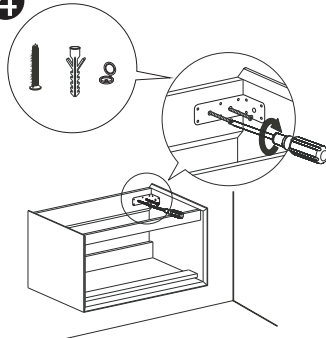


635mm

3



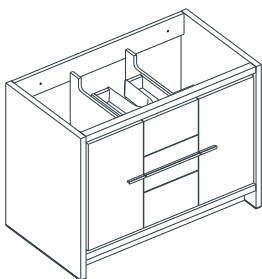
4



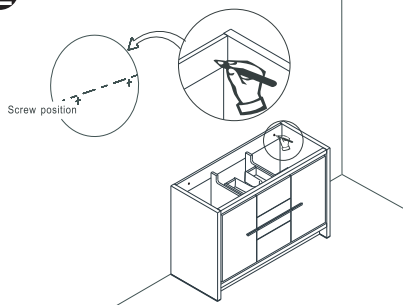
Installation Instructions

Floor standing system

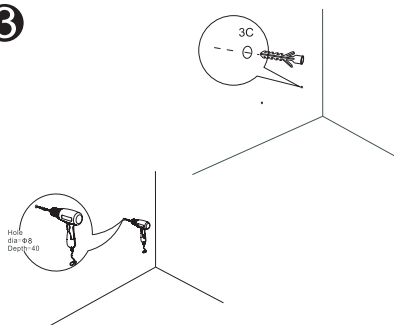
1



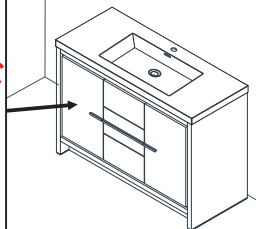
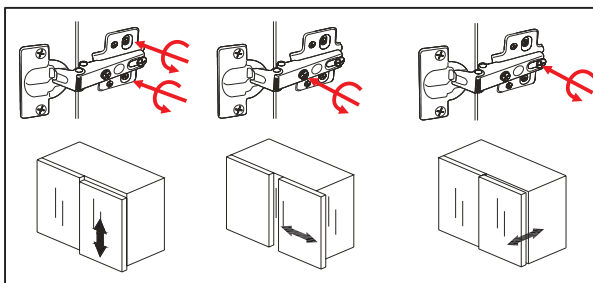
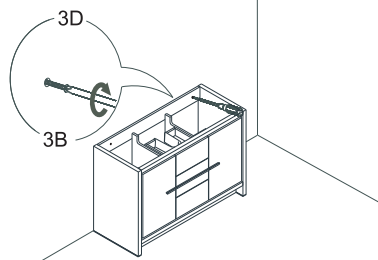
2



3

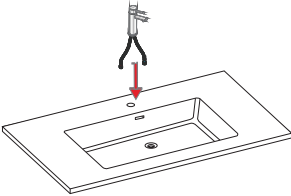


4

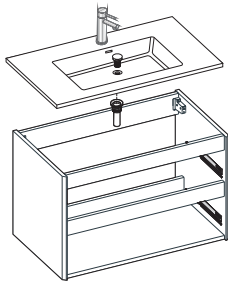


Installation Instructions

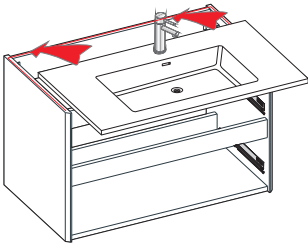
1



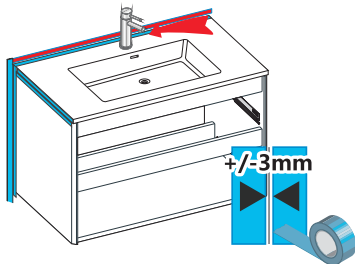
2



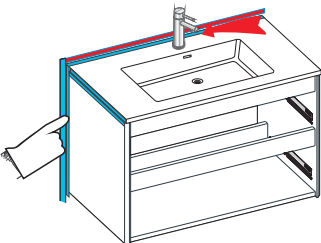
3



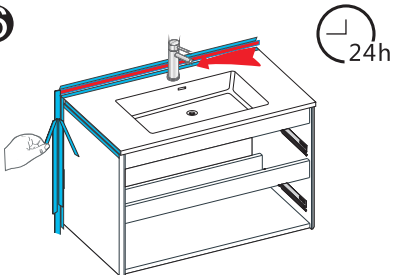
4



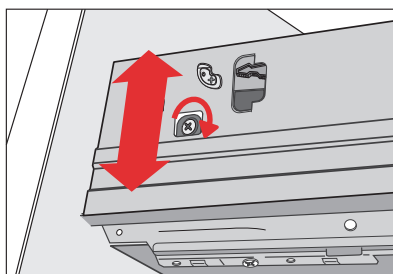
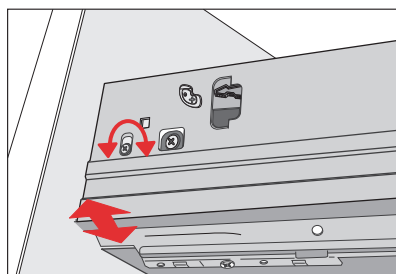
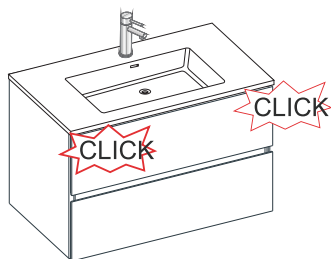
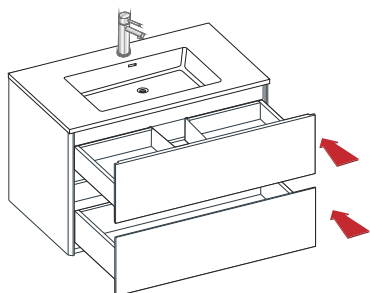
5



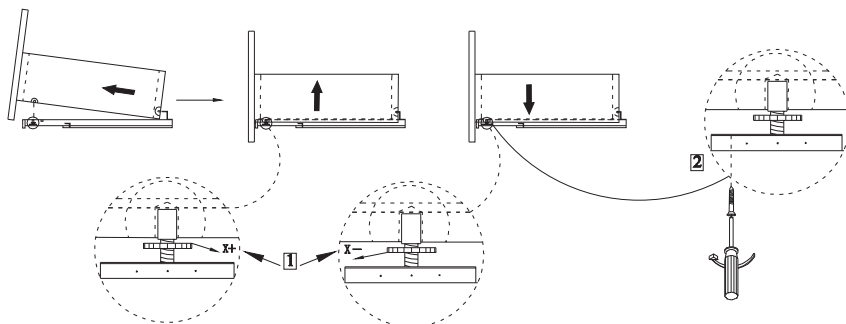
6



Installation & adjustment of drawer



metal box



wooden drawer

The way to take off the drawer

