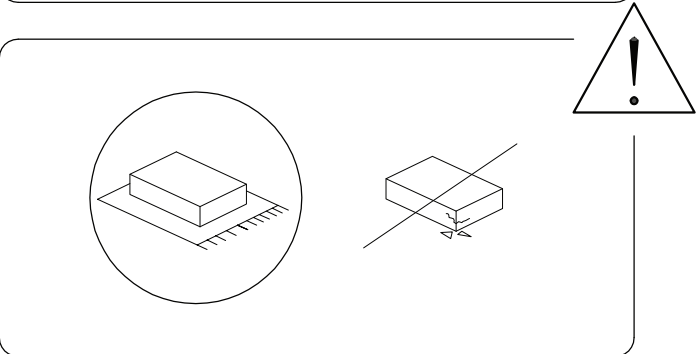
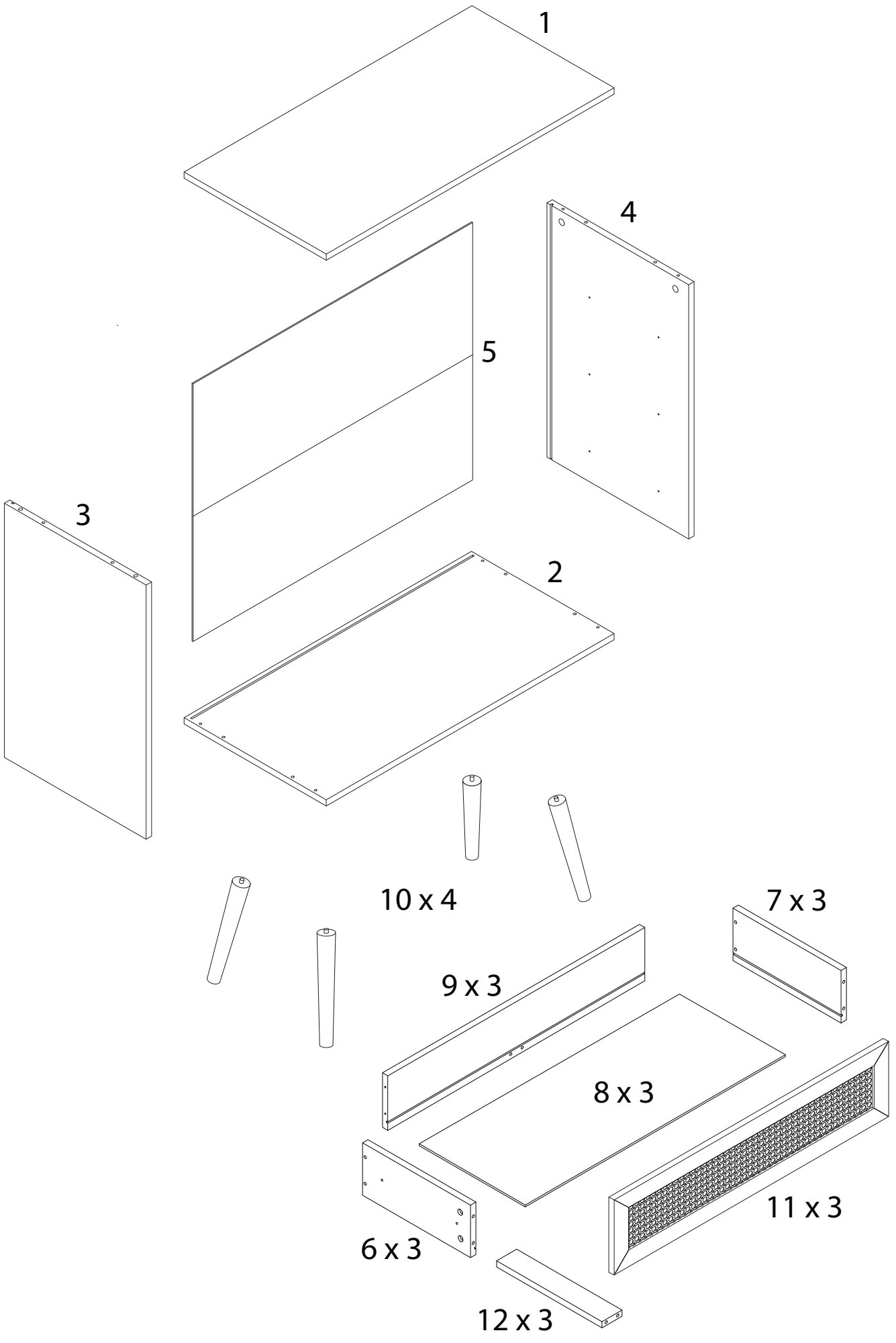
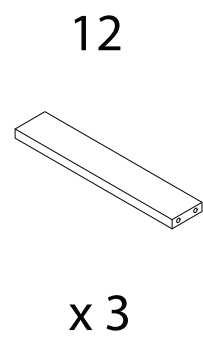
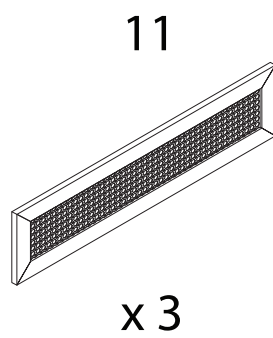
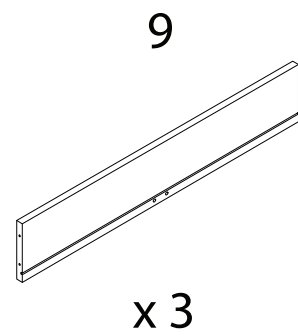
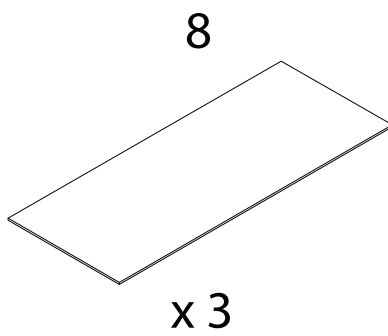
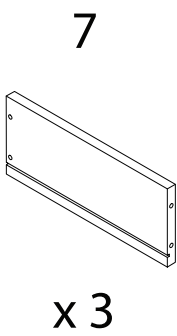
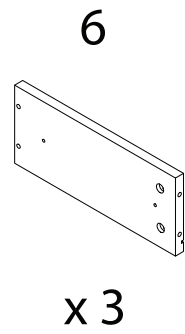
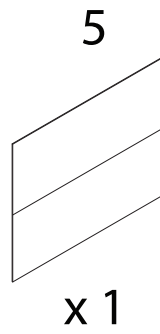
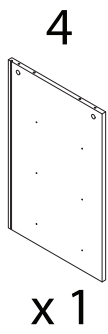
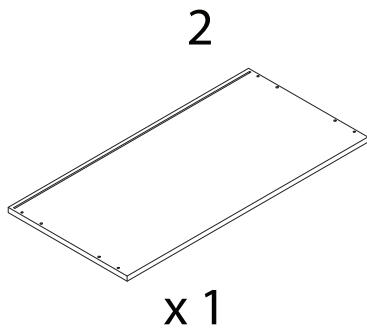
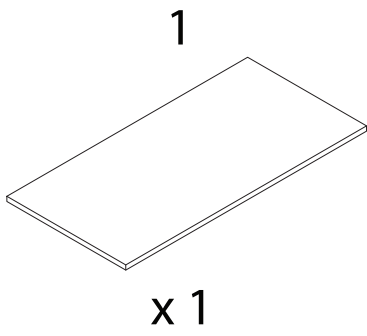


45'



2



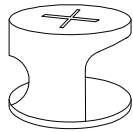


A



x 16

B



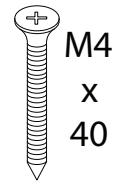
x 16

C



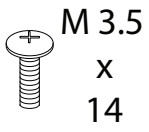
x 16

D



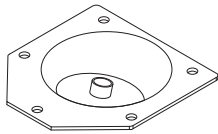
M4
x
40
x 22

E



M3.5
x
14
x 20

F



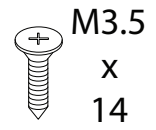
x 4

G



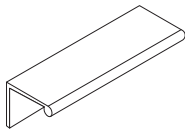
x 2

H



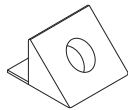
M3.5
x
14
x 50

I



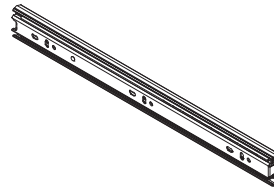
x 6

J



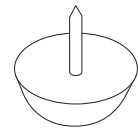
x 12

K



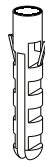
x 6

L



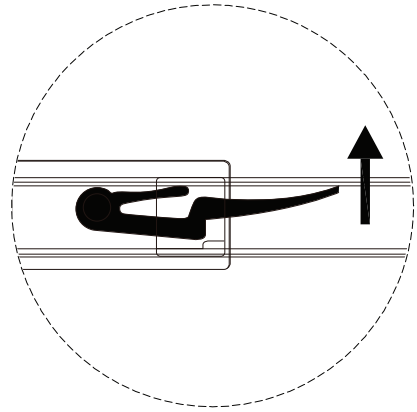
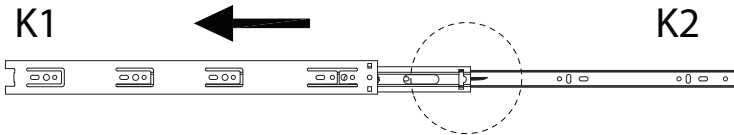
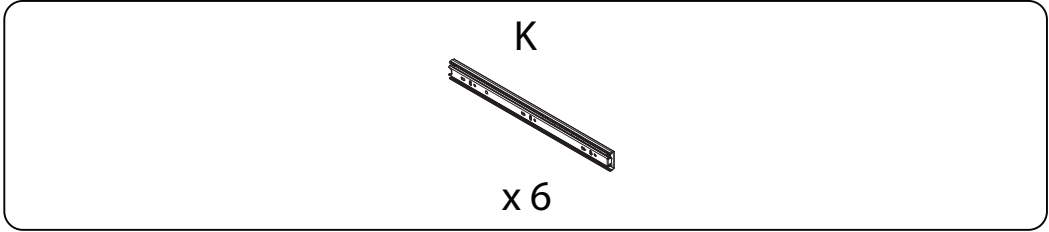
x 4

N

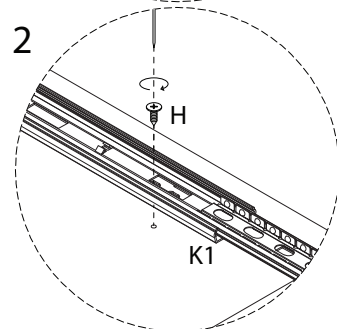
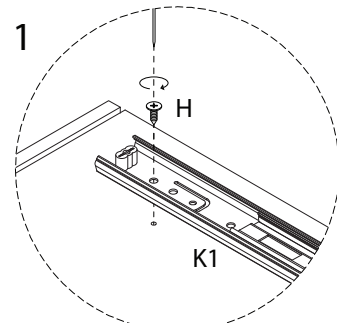
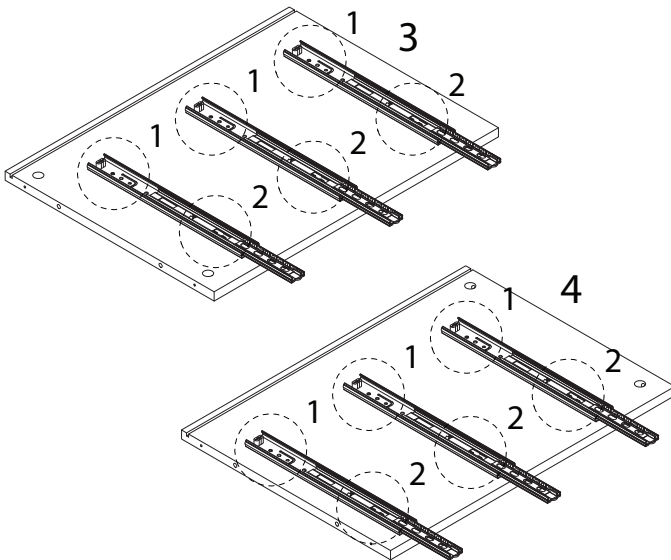
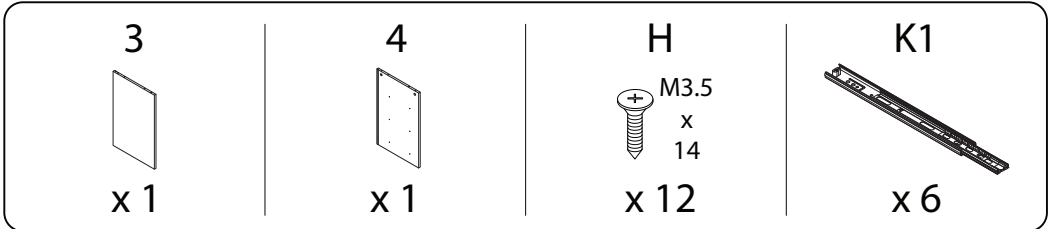


x 2

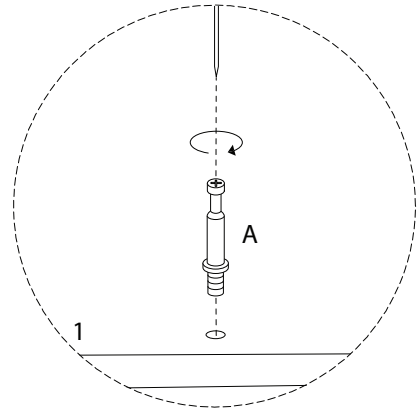
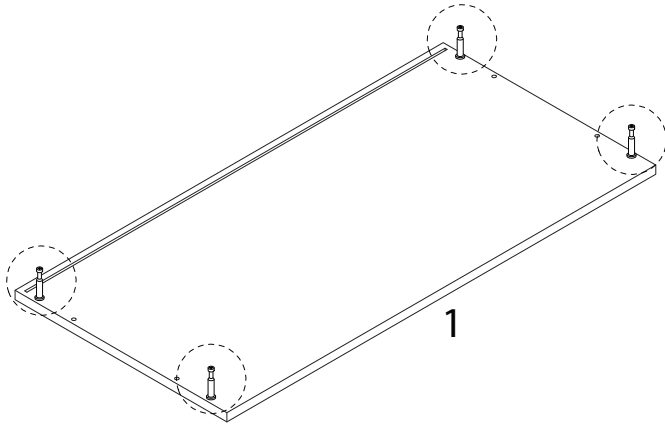
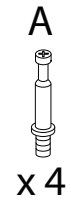
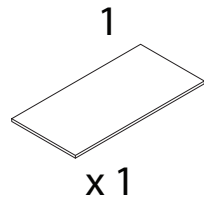
1



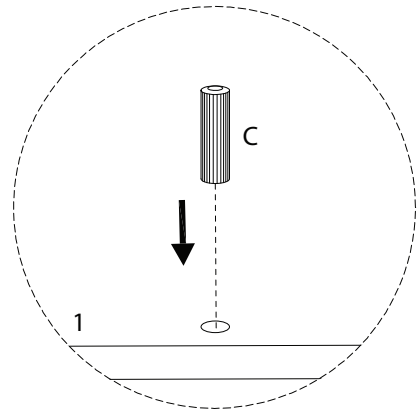
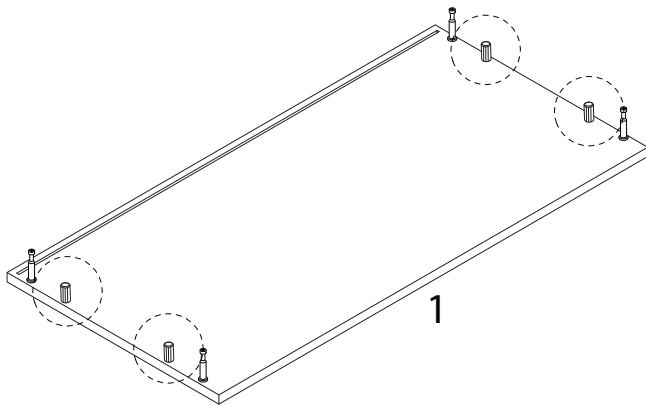
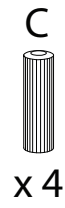
2



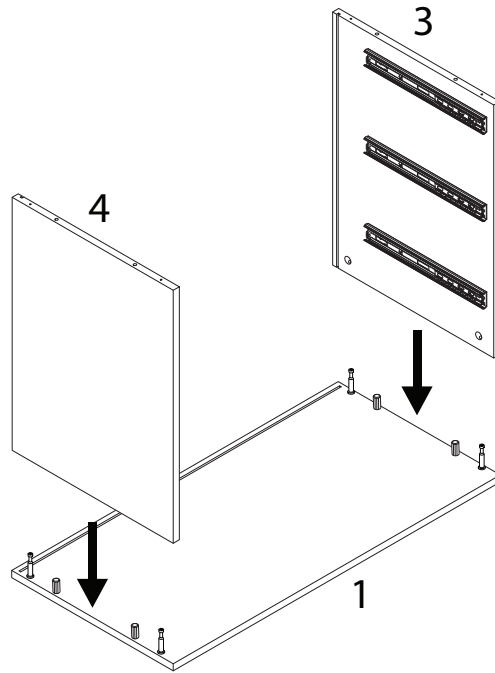
3



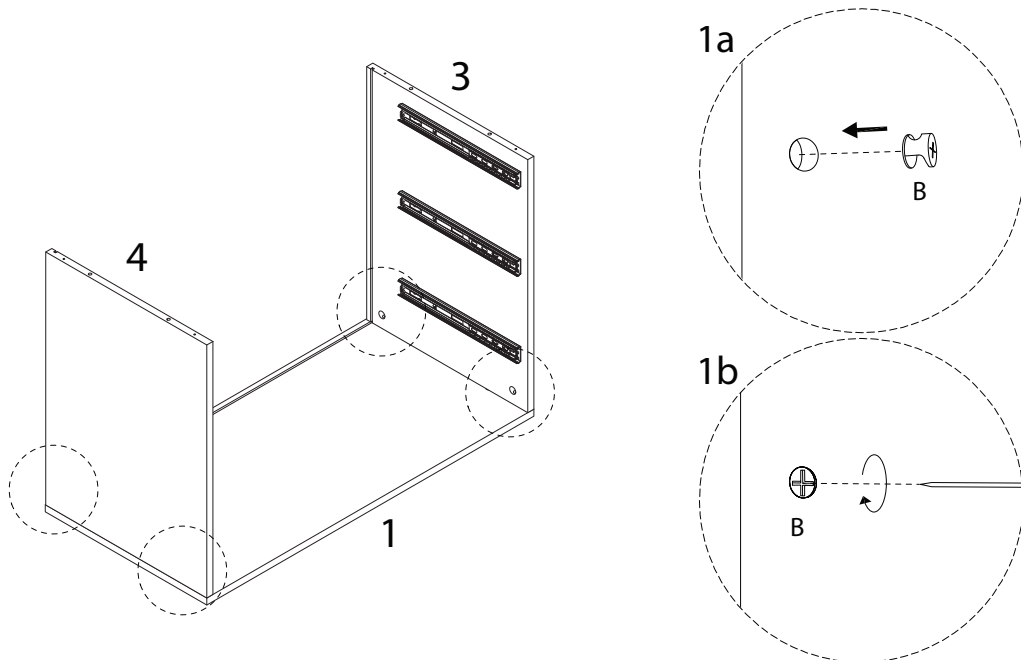
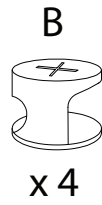
4



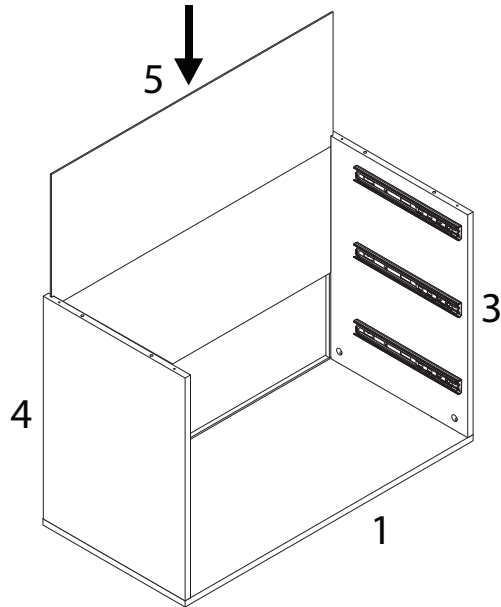
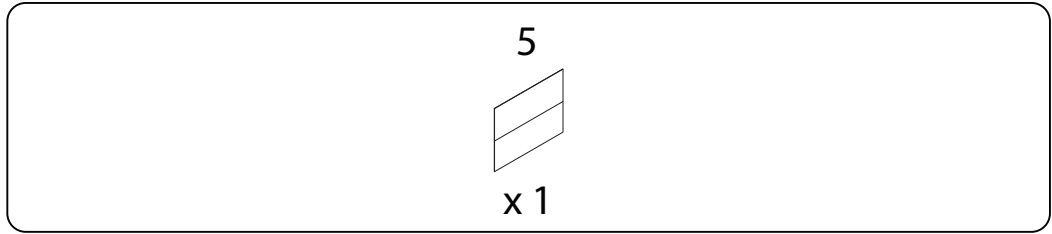
5



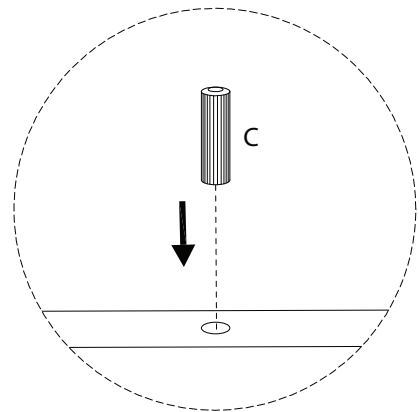
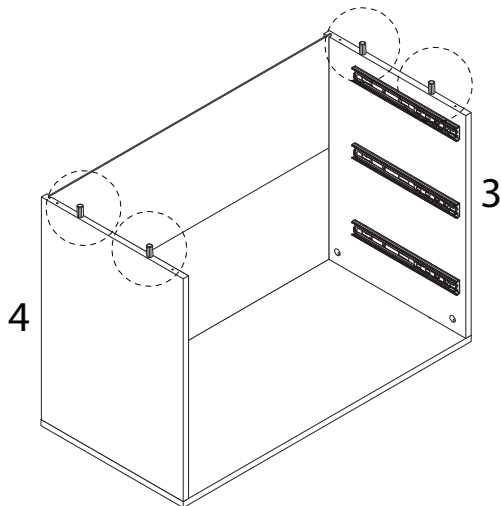
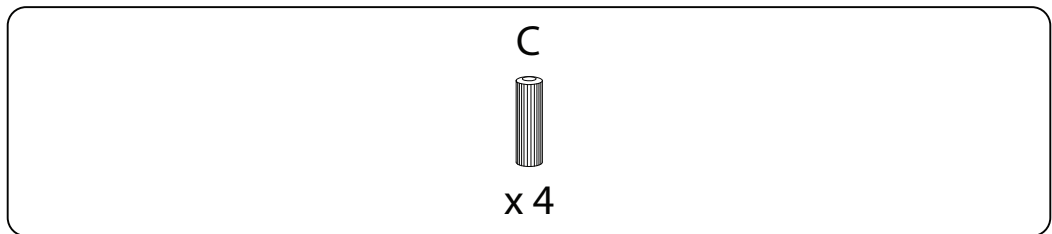
6



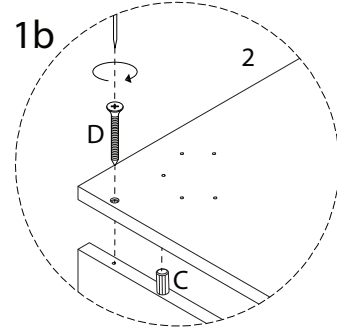
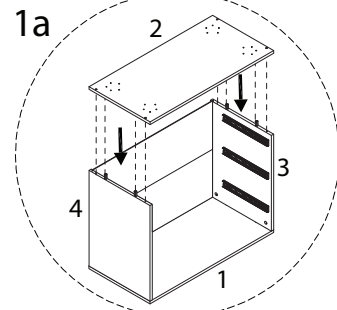
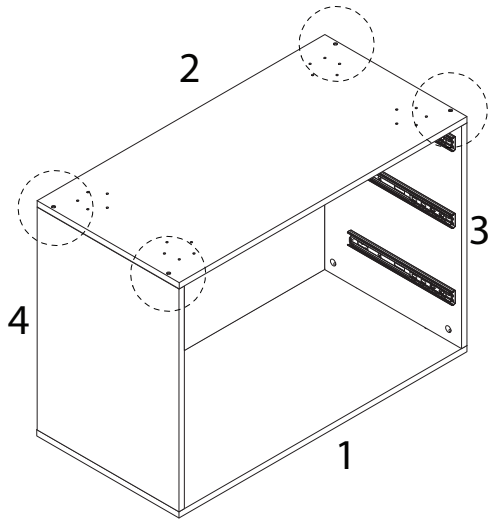
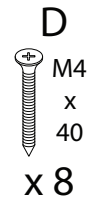
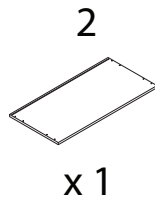
7



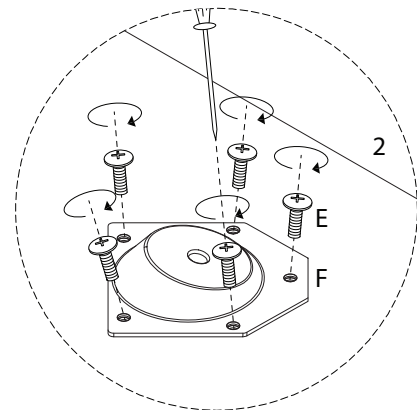
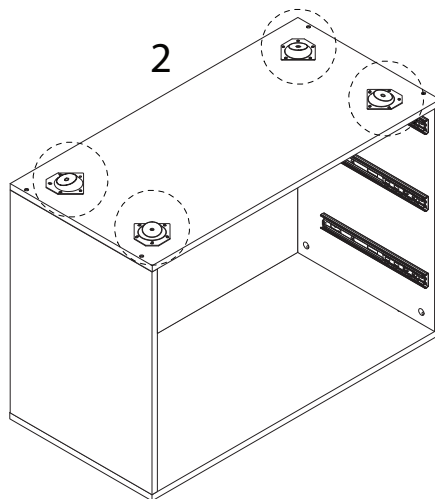
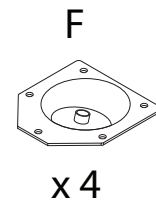
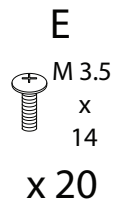
8



9



10

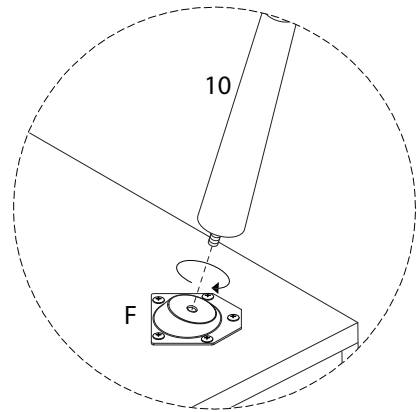
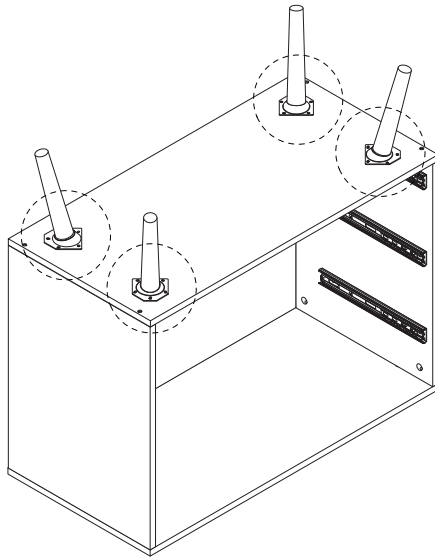


11

10



x 4

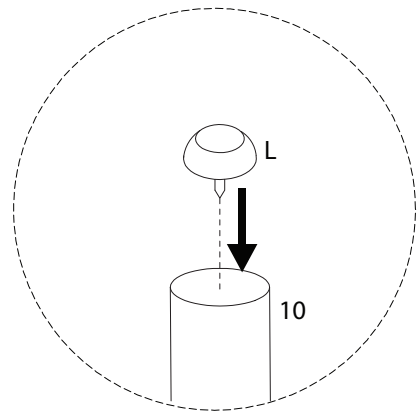
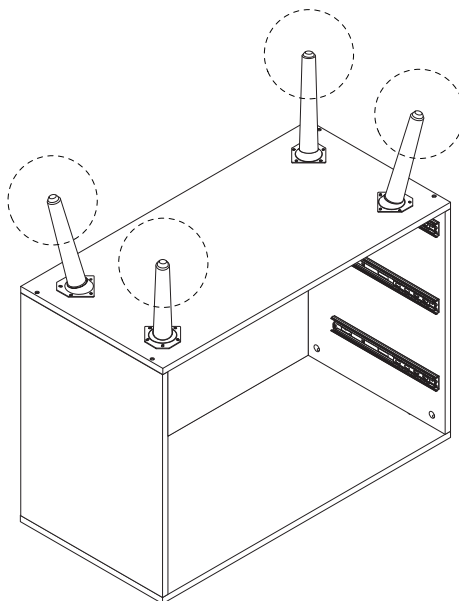


12

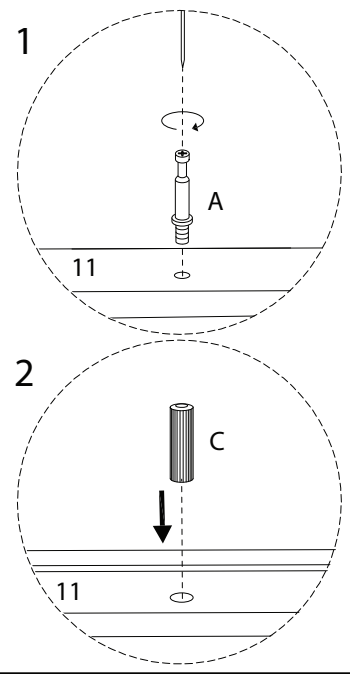
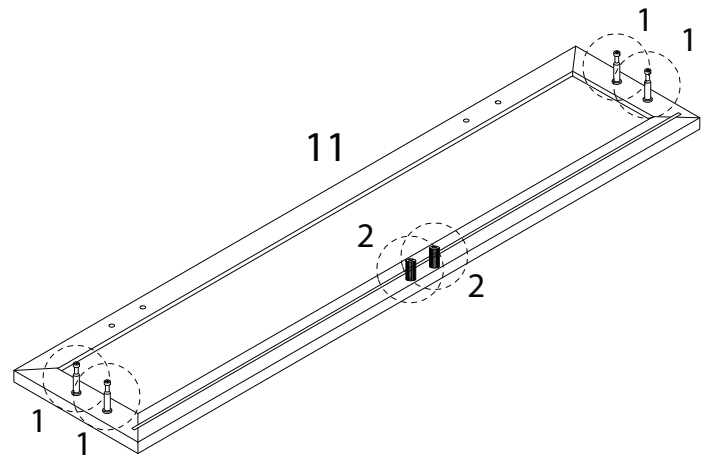
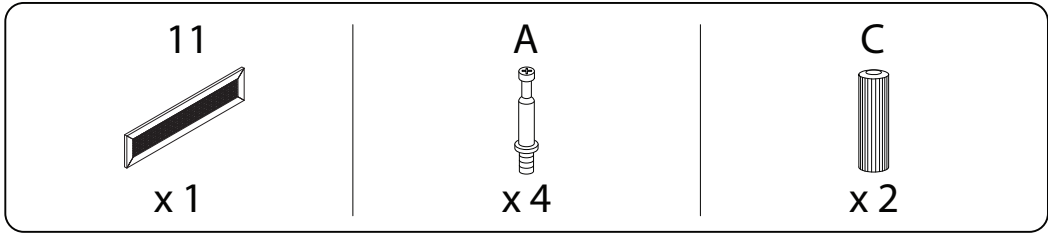
L



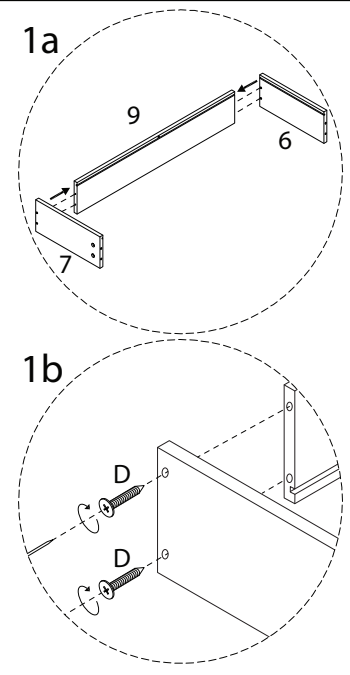
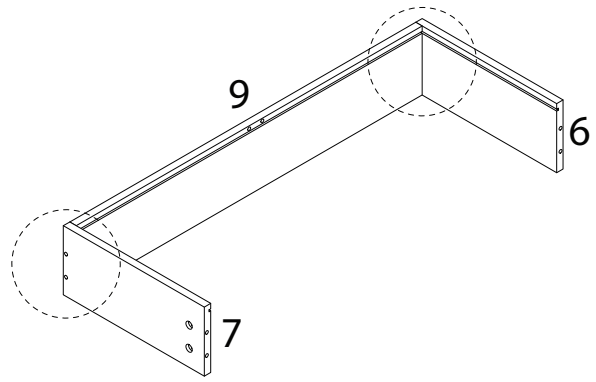
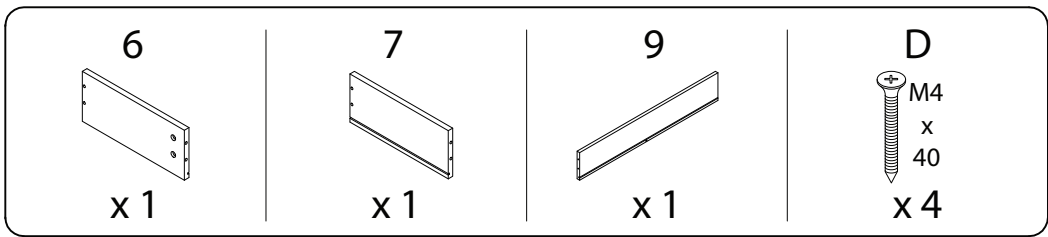
x 4



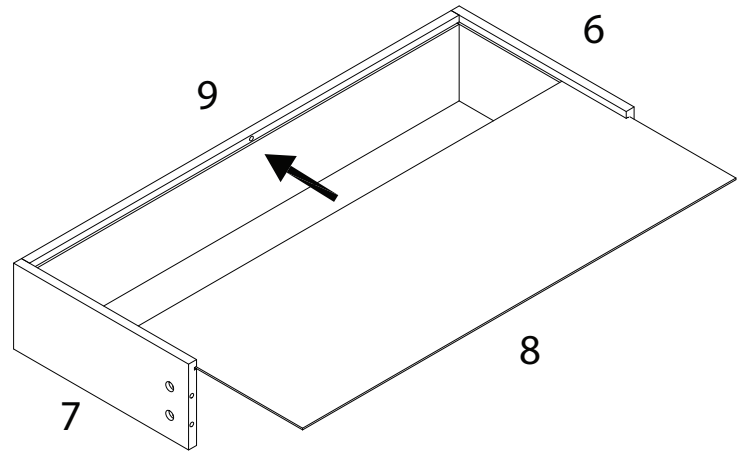
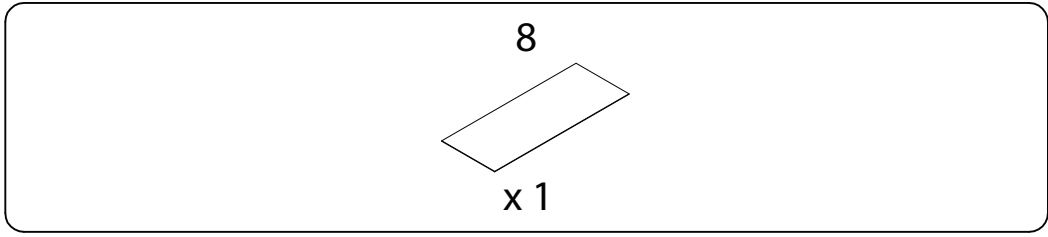
13x3



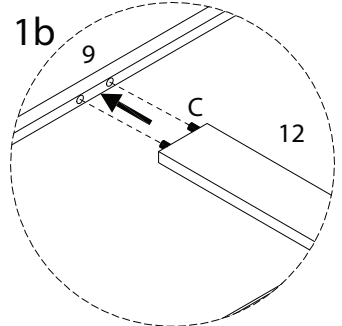
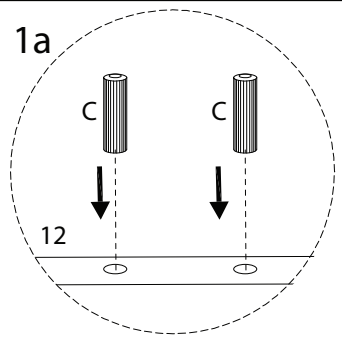
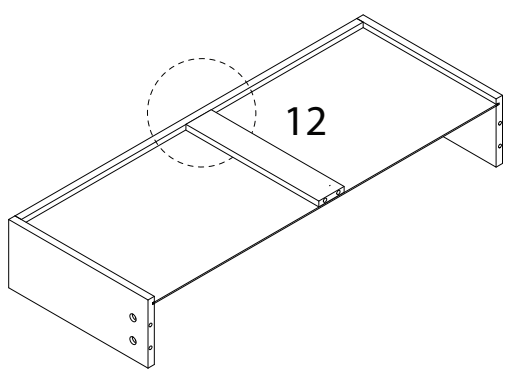
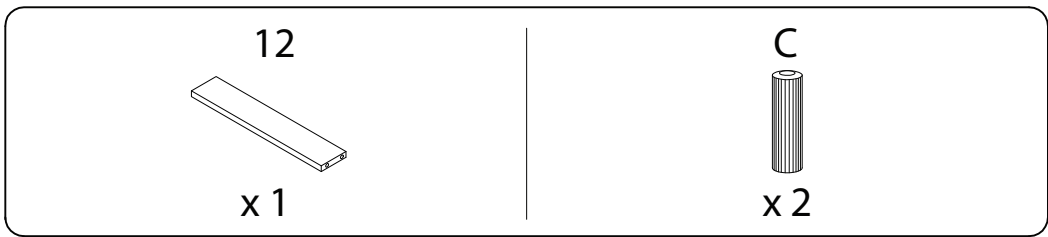
14x3



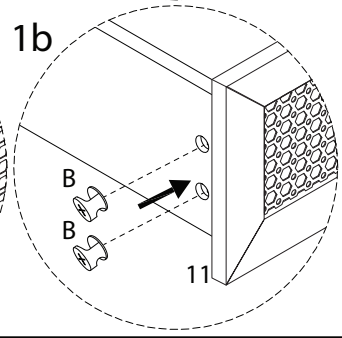
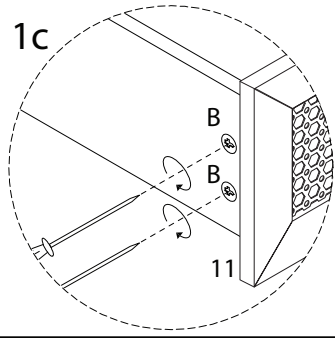
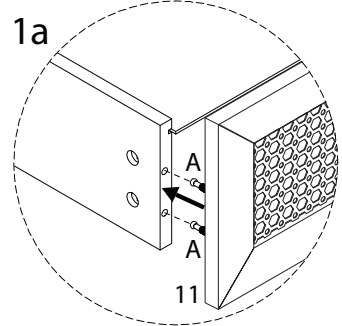
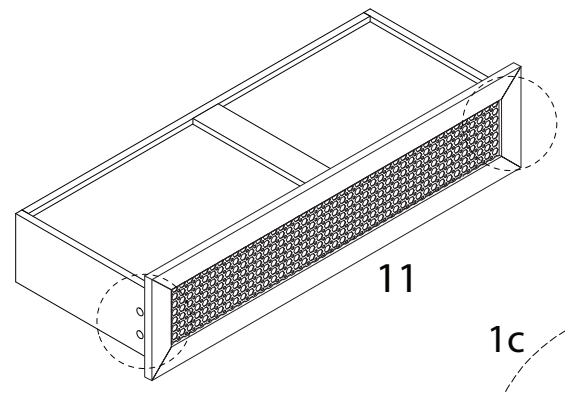
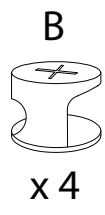
15 x 3



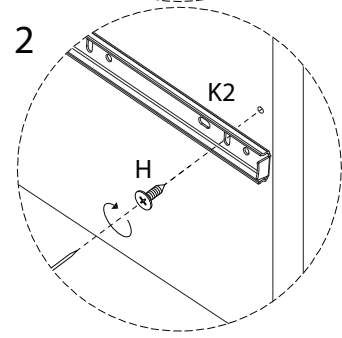
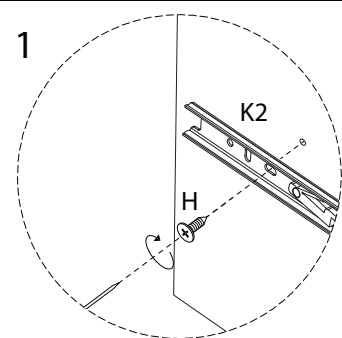
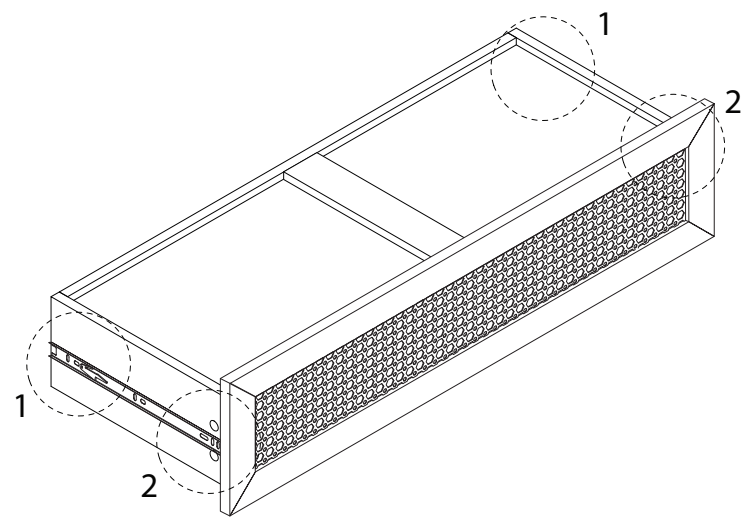
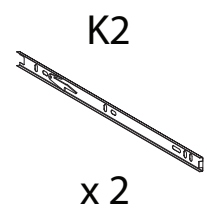
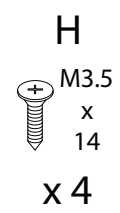
16x 3



17 x 3



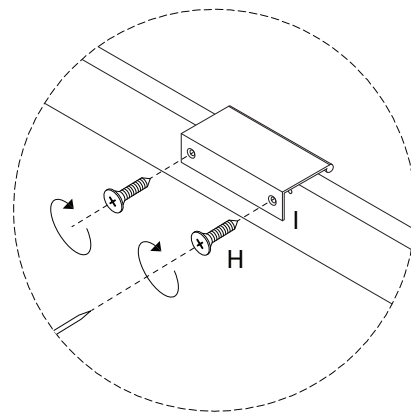
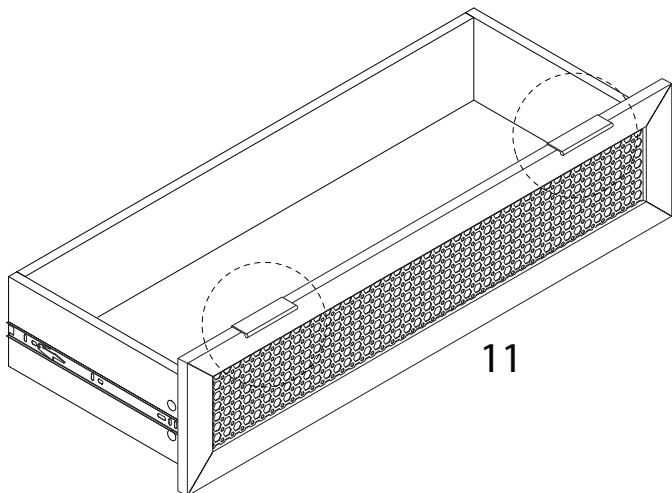
18 x 3



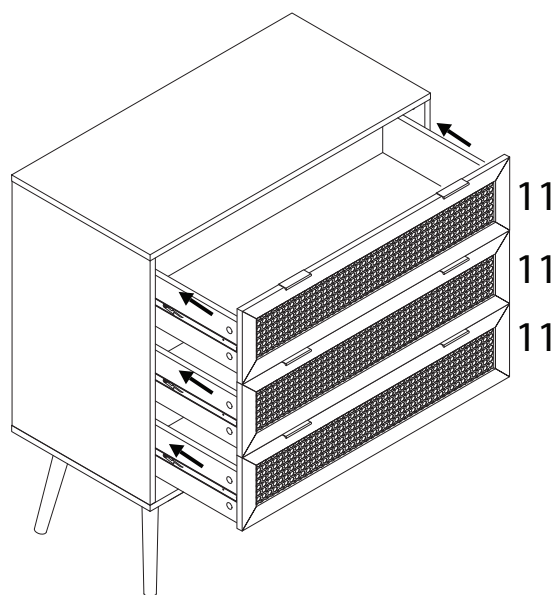
19 x 3

H
M3.5
x
14
x 4

I
x 2



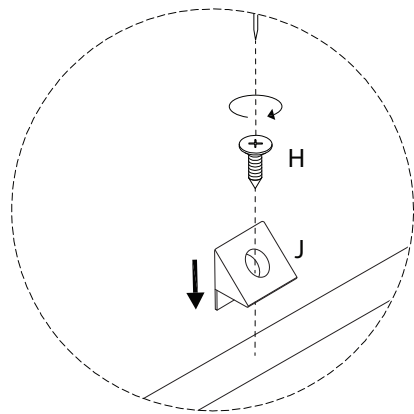
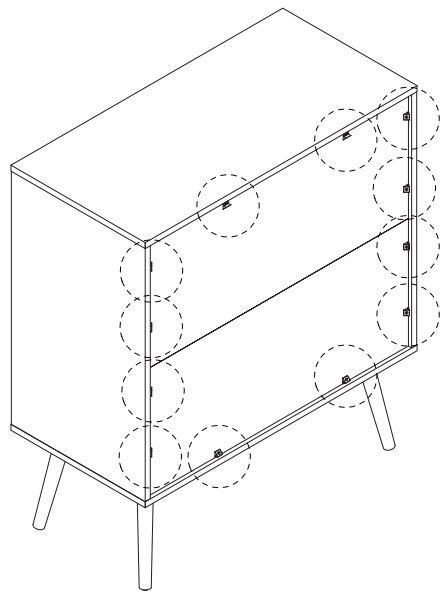
20



21


H
M3.5
x
14
x 12

J
x 12



22

D
M4
x
40
x 2

G

x 2

H
M3.5
x
14
x 2

N

x 2

